

<h1>HOW TO REPLACE L-250 THERMODISC</h1>	Document #		Model Name and Number		
	HT00148A		OSBURN 3000		
	Document Version		Serial Number		Date
	1.0		100	to	...

WARNING

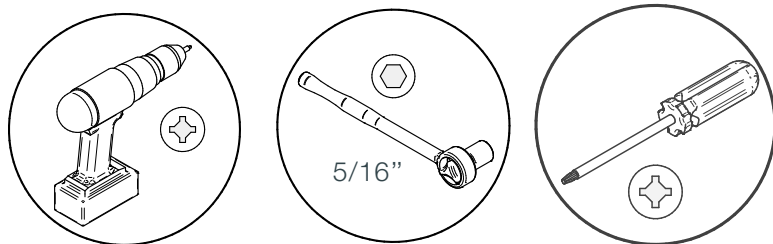
NEVER MANIPULATE OR REPLACE A COMPONENT WHEN THE STOVE IS HOT.

DANGER

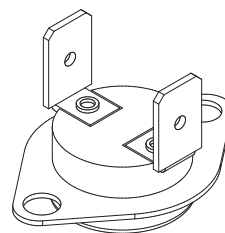
DISCONNECT ALL SOURCE OF POWER BEFORE MANIPULATING OR REPLACING A COMPONENT.

For part numbers visit our web site <https://www.osburn-mfg.com/en/replacement-parts/>
 For more information, contact us at 418-908-8002 or by email at tech@sbi-international.com

TOOL(S) REQUIRED :

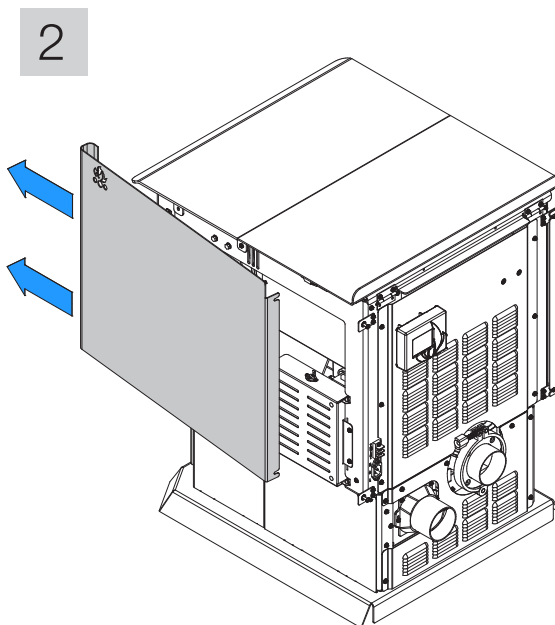
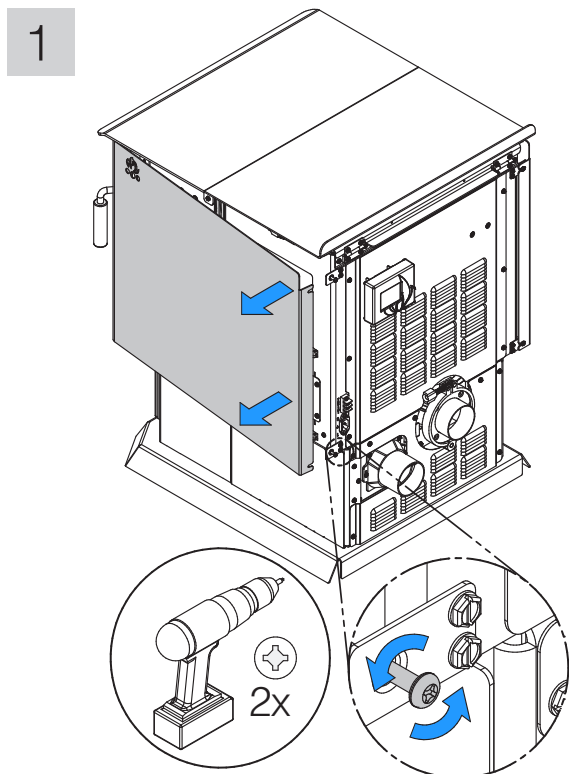


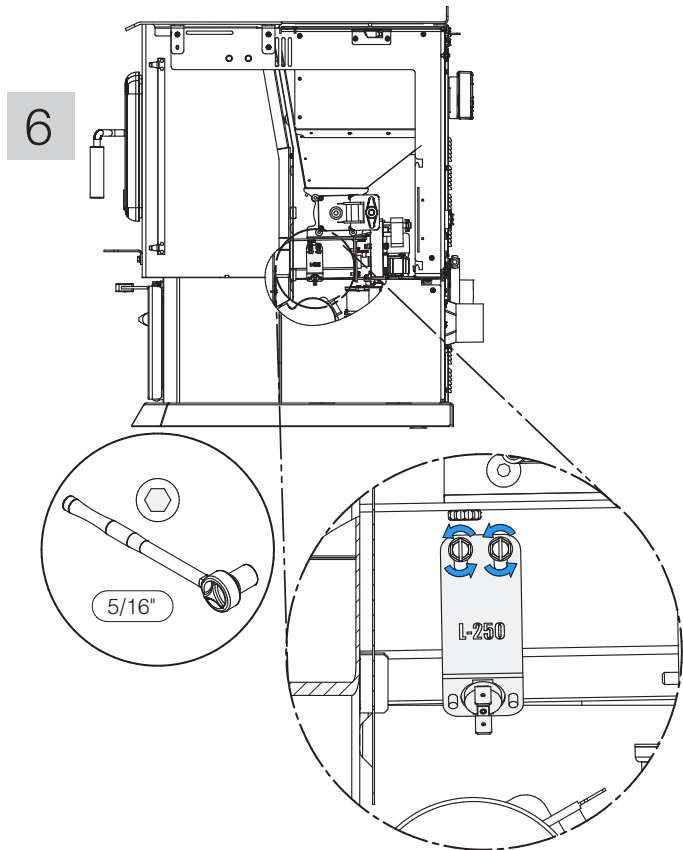
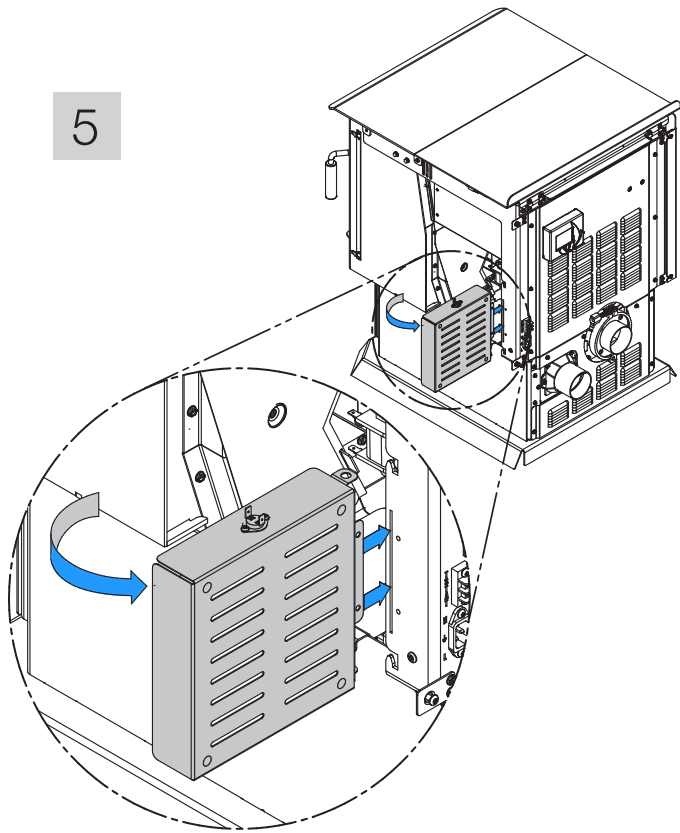
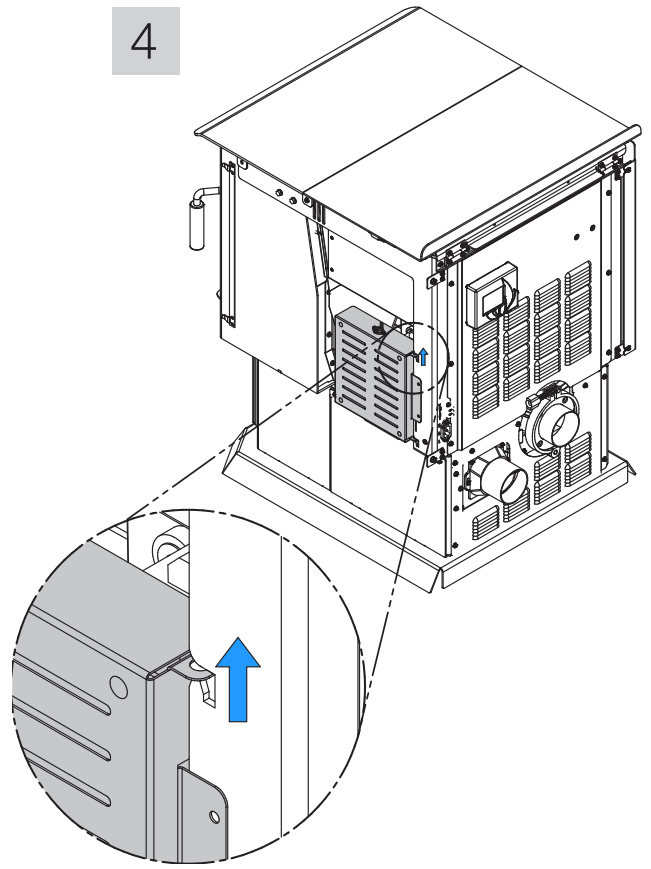
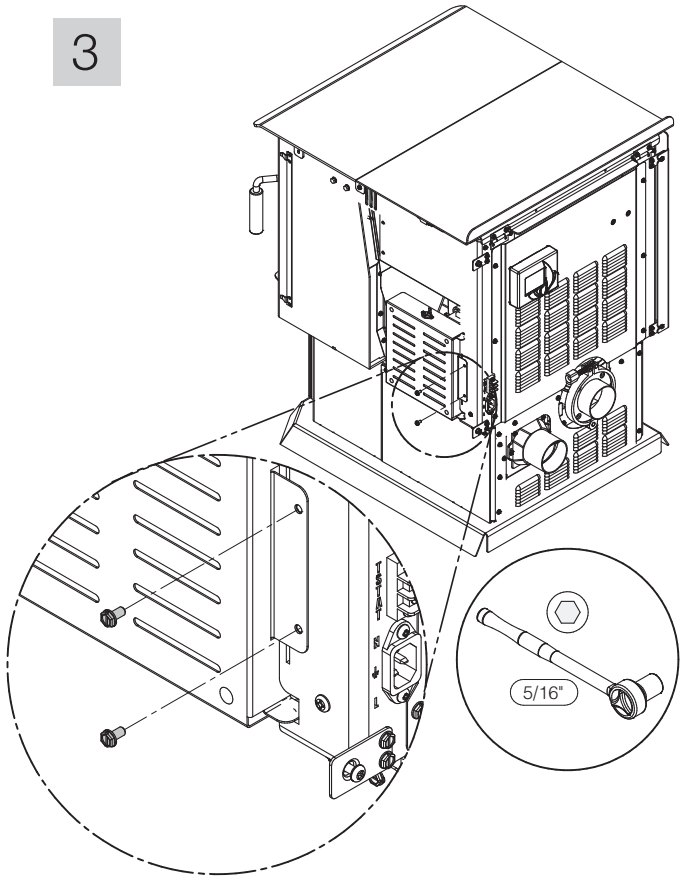
PART(S) REQUIRED :



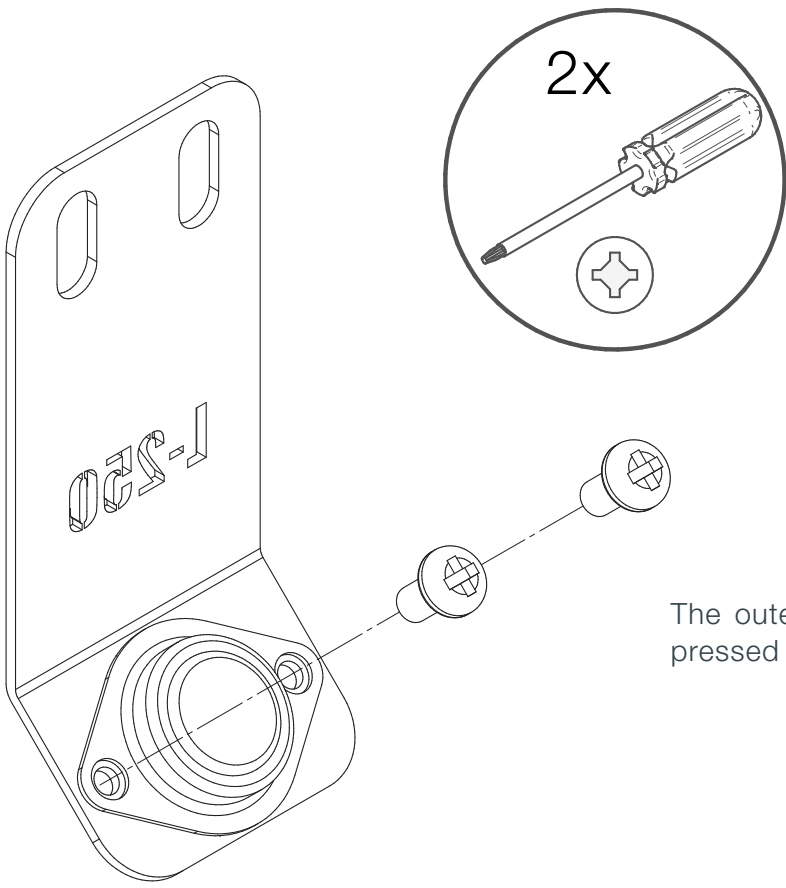
L-250 THERMODISC

PROCEDURE :





7



The outer surface of the L-250 must be pressed firmly onto the screw tube.