

<h1>HOW TO REPLACE THE COMBUSTION BLOWER</h1>	Document #		Model Name and Number		
	HT00161-A		OSBURN 2500 (OP00025)		
	Document Version		Serial Number		Date
	01	100	to	...	2017-12-04

WARNING

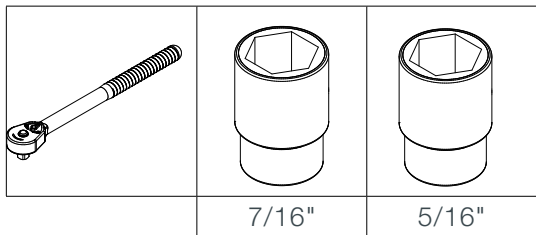
NEVER MANIPULATE OR REPLACE A COMPONENT WHEN THE STOVE IS HOT.

DANGER

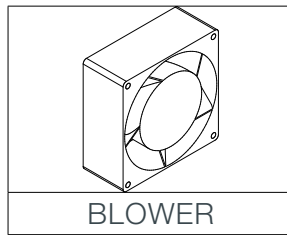
DISCONNECT ALL SOURCE OF POWER BEFORE MANIPULATING OR REPLACING A COMPONENT.

For part numbers visit our web site <https://www.osburn-mfg.com/en/replacement-parts/> For more information, contact us at 418-908-8002 or by email at tech@sbi-international.com

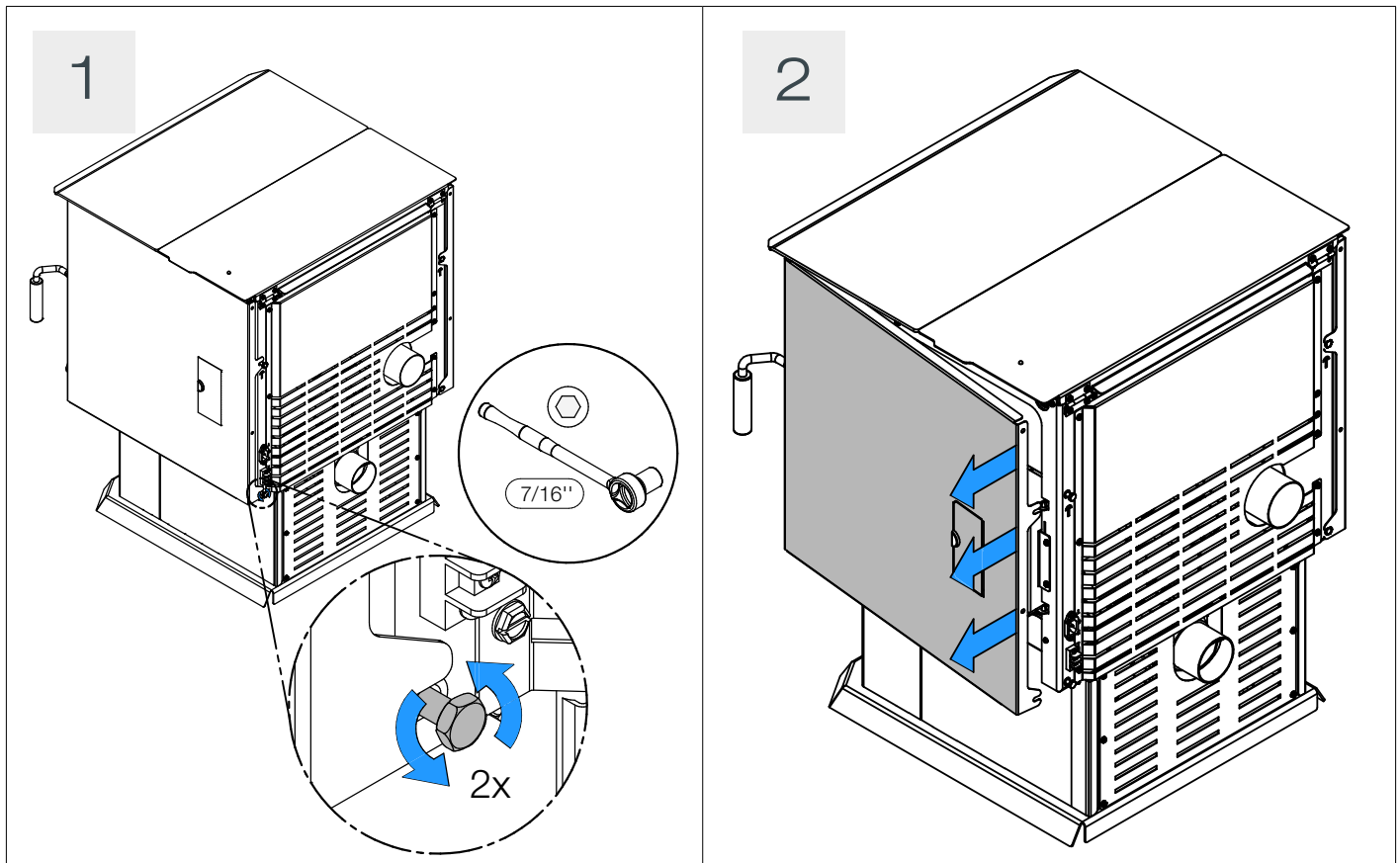
TOOL(S) REQUIRED :



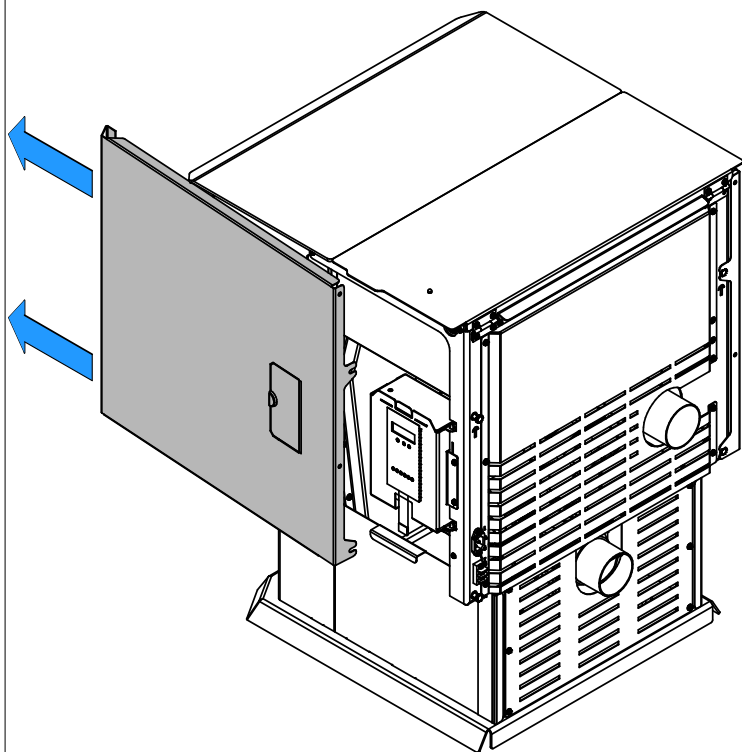
PART(S) REQUIRED :



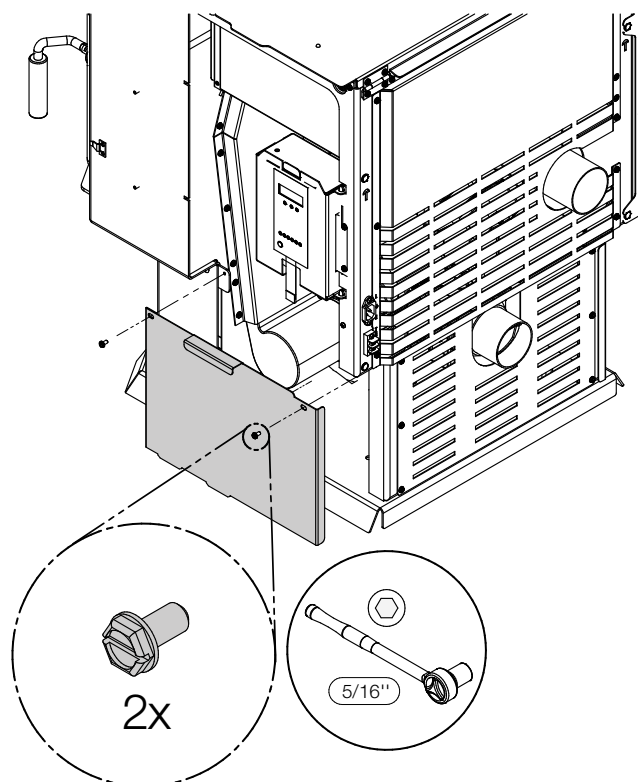
PROCEDURE :



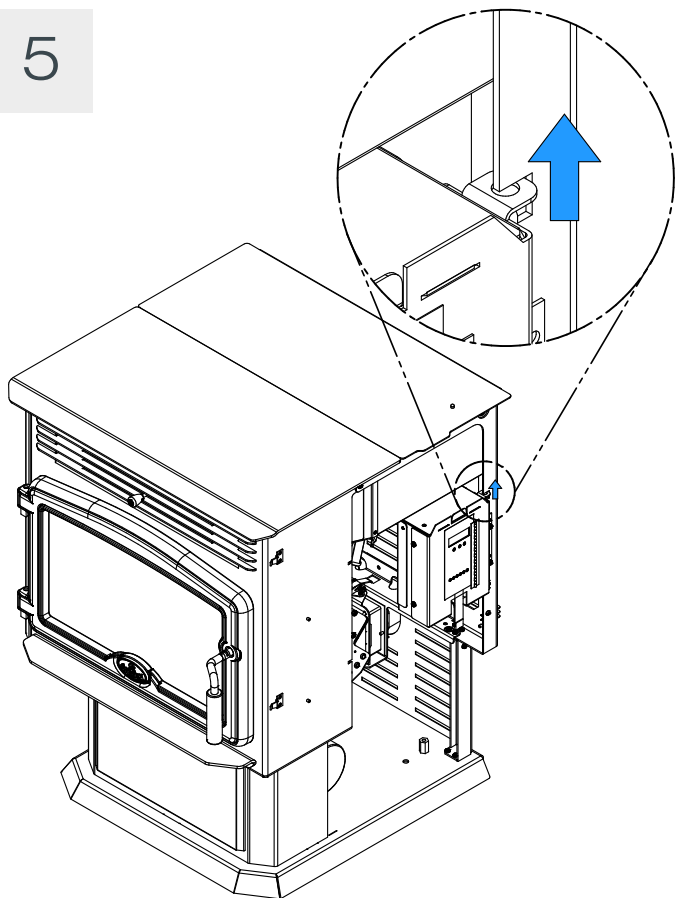
3



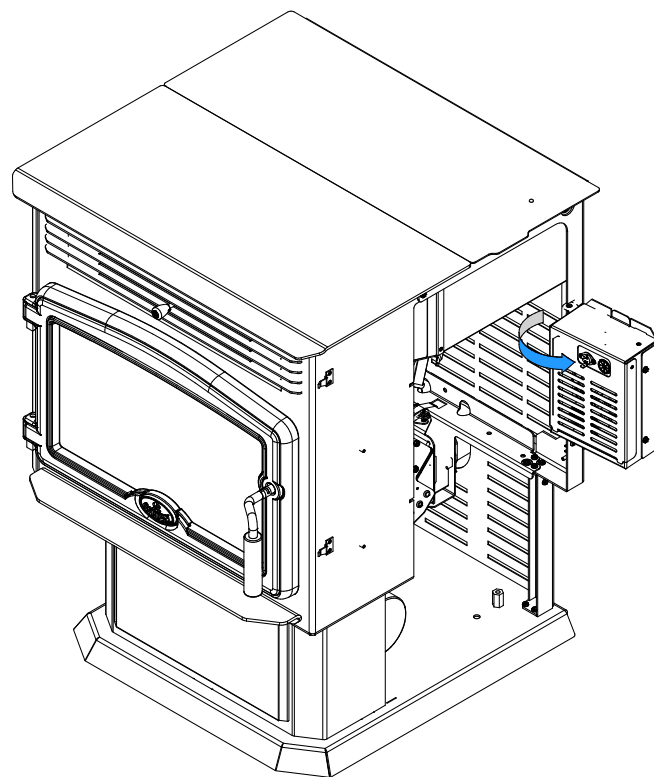
4



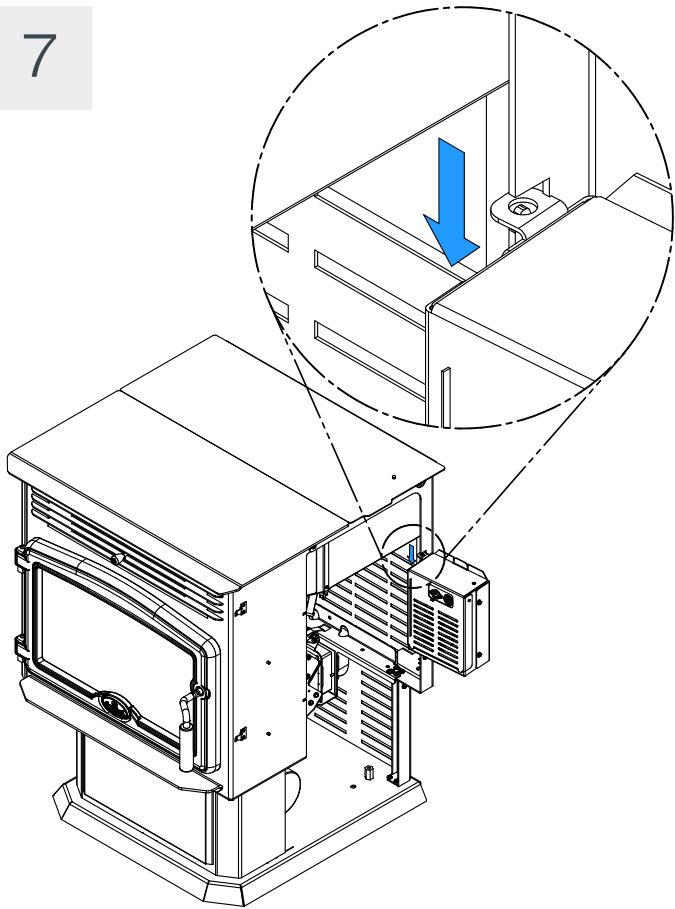
5



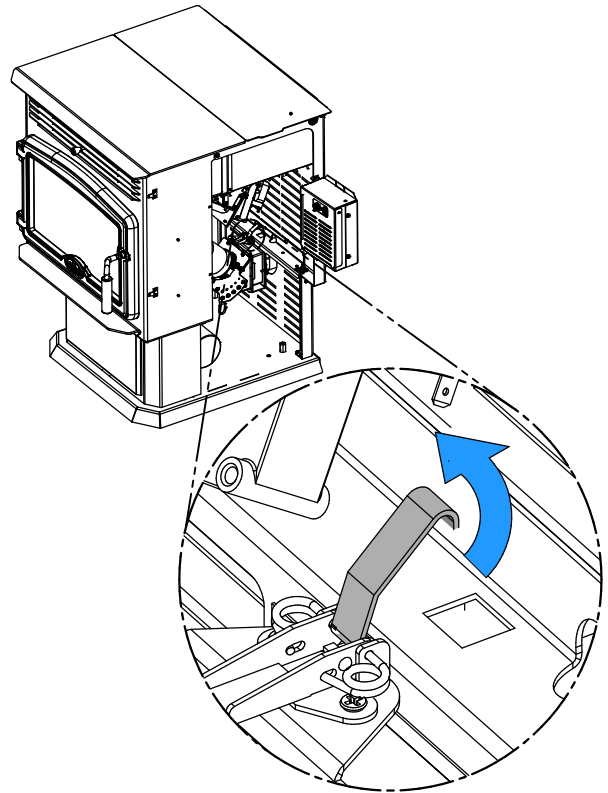
6



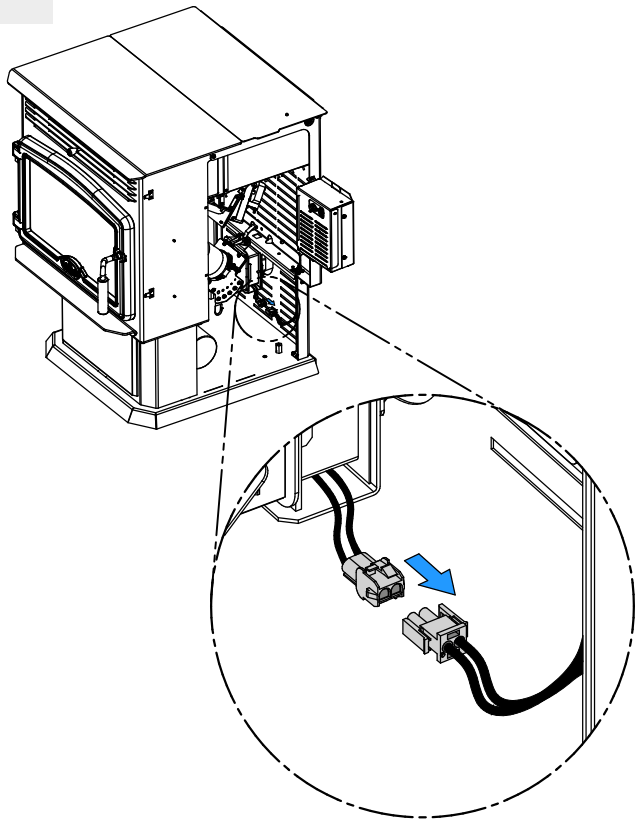
7



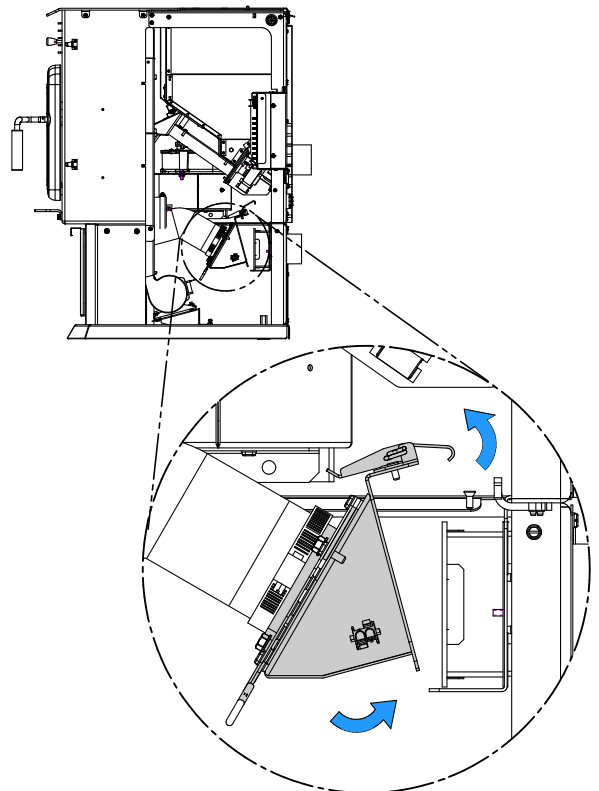
8



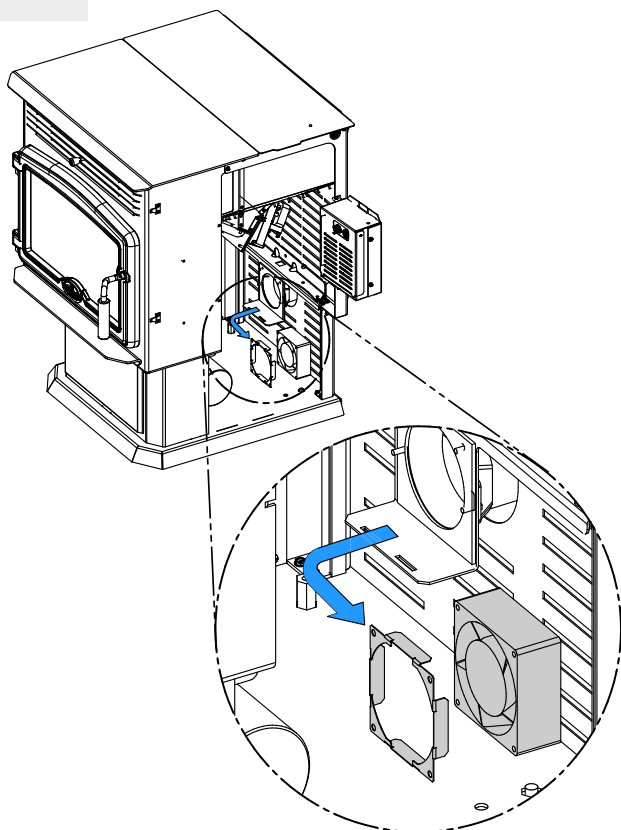
9



10



11



12

Follow previous steps in reverse order to reinstall.