

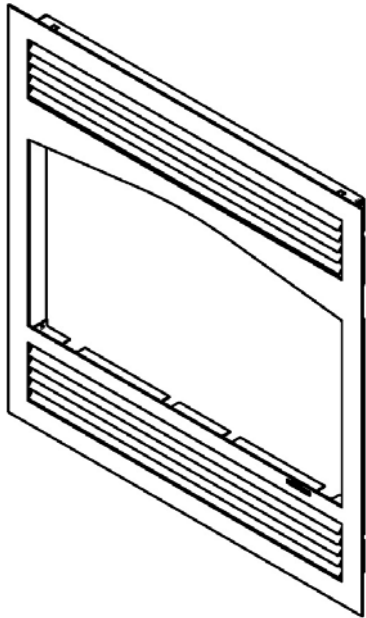


BEYOND
fire

Stratford Steel Faceplate

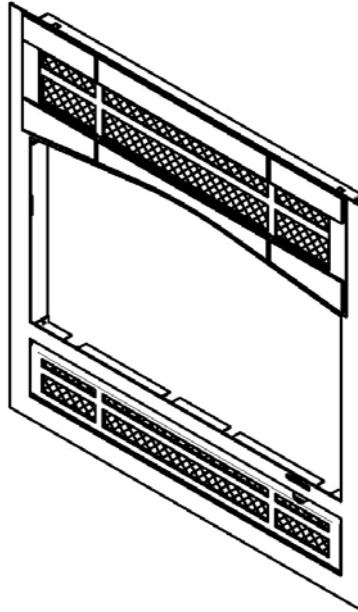
OA10330

TRADITIONAL STYLE FACEPLATE



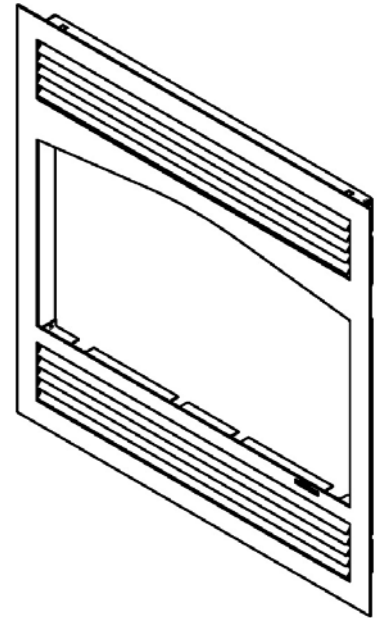
OA10331

PRAIRIE STYLE FACEPLATE



OA10332

**TRADITIONAL FACEPLATE WITH
BRUSHED NICKEL ACCENTS**



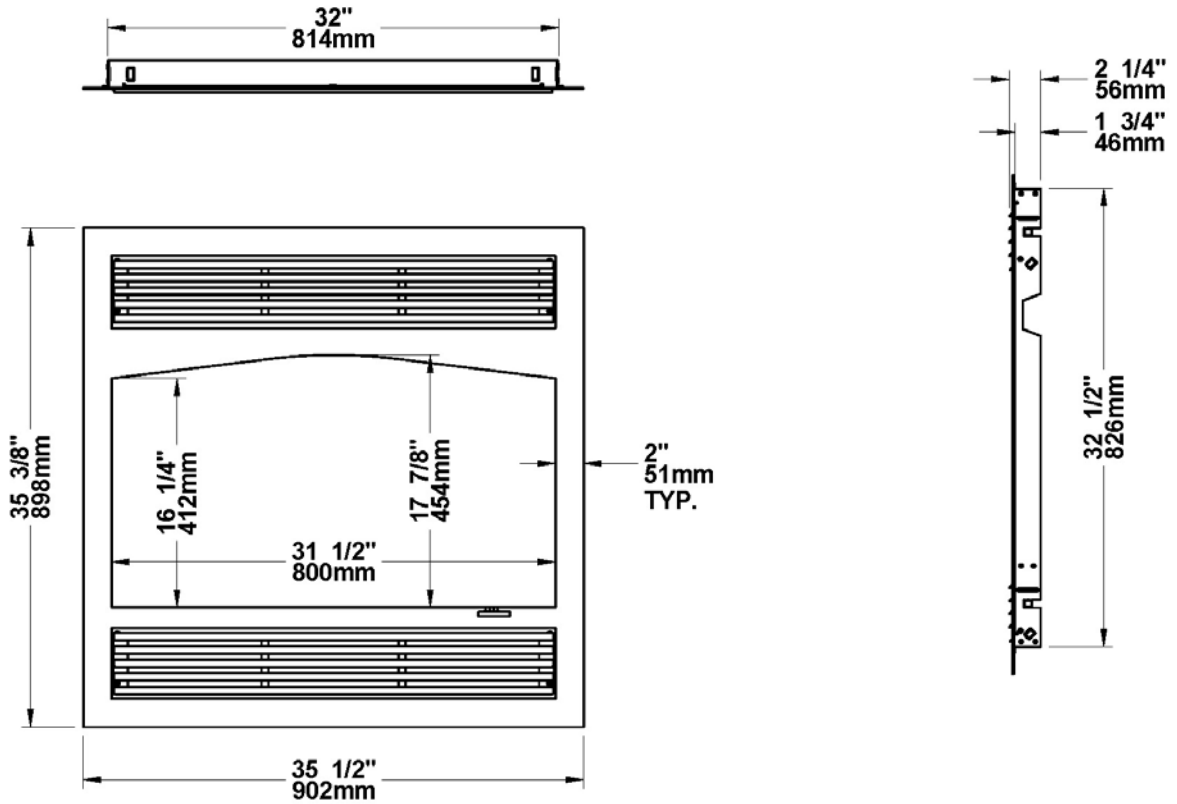
This faceplate assembly contains the following part:

- Steel faceplate already assembled (1X)

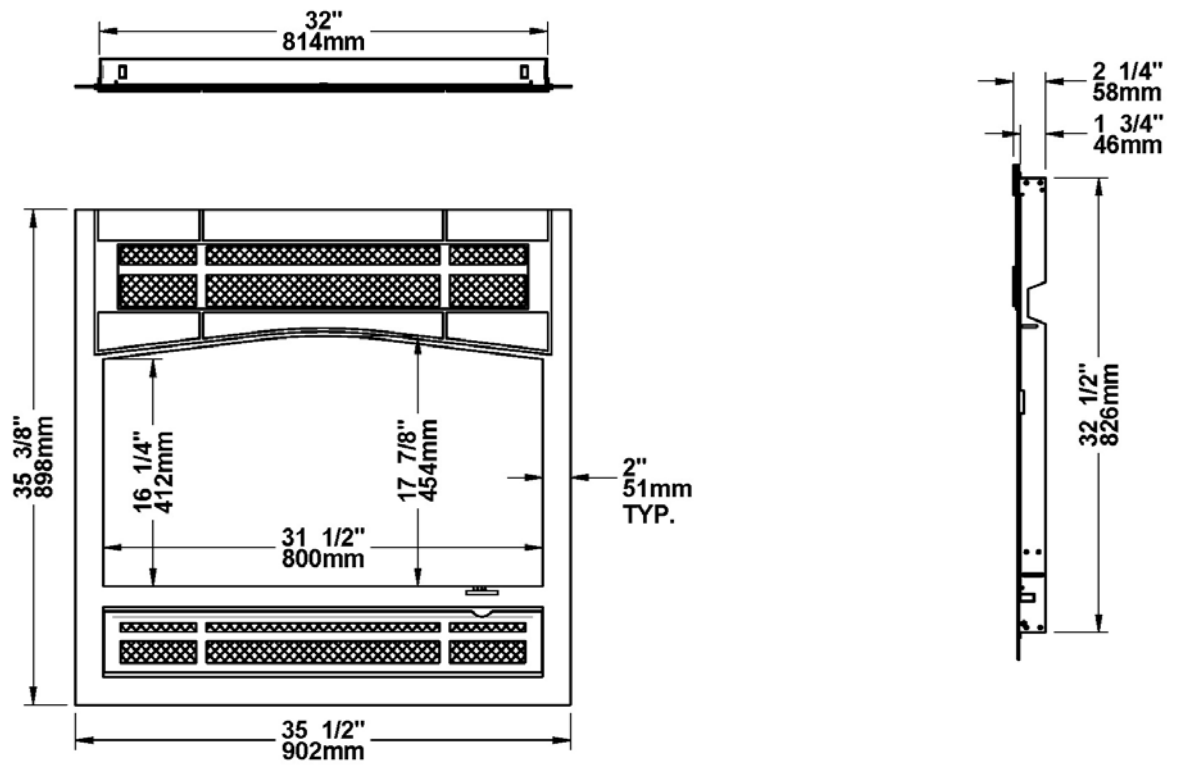
Warning

The plating of the faceplate should never come in contact with masonry product such as mortar, acid or any other products containing abrasives. Damages and discolouration caused by these products will void the warranty.

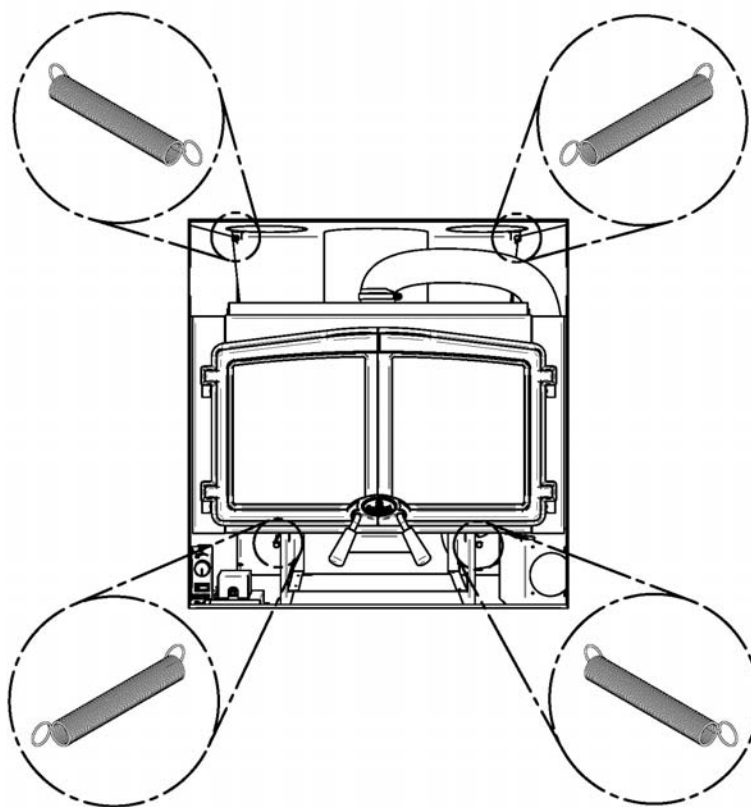
TRADITIONAL STYLE FACEPLATE



PRAIRIE STYLE FACEPLATE

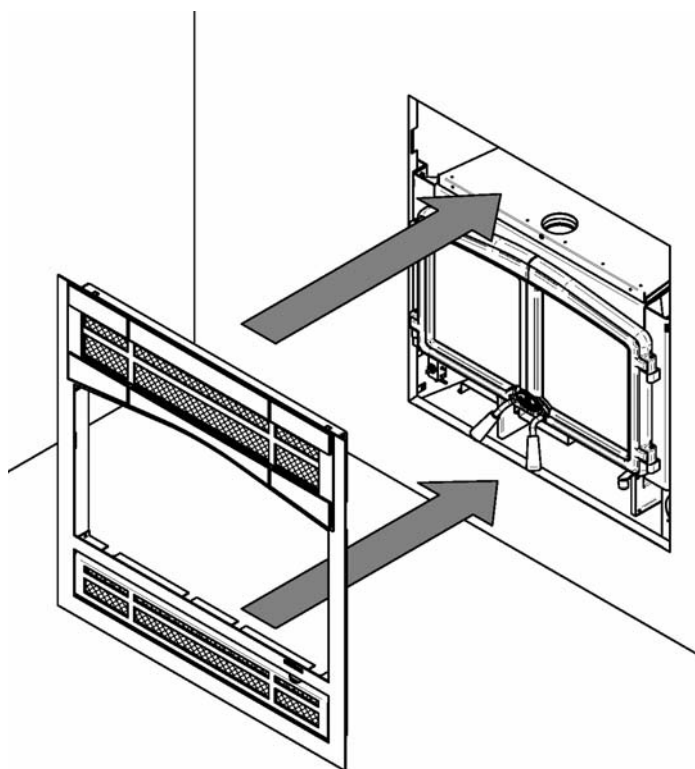


Locate the top and bottom springs.

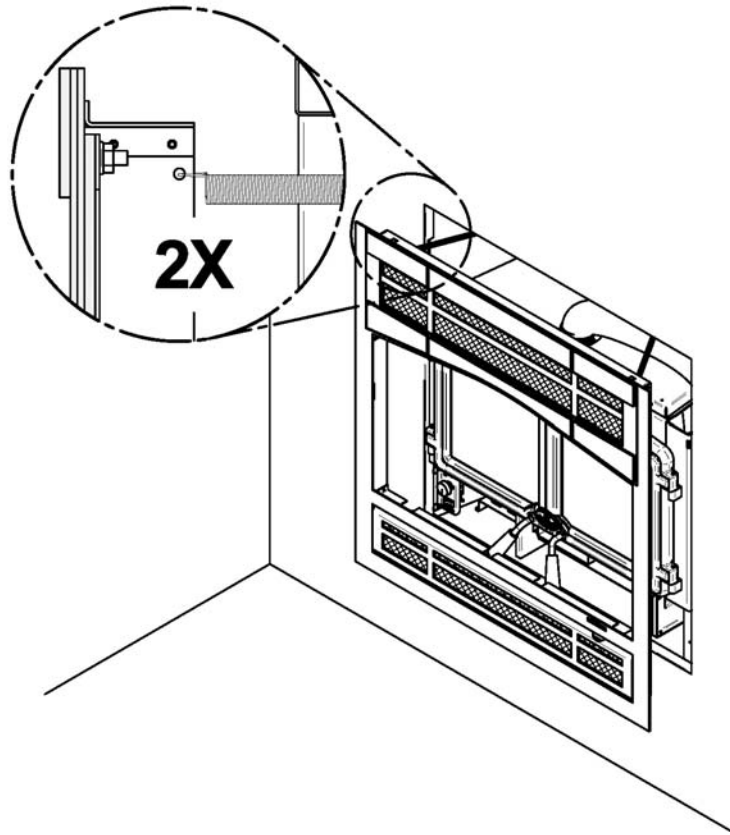


Installing procedure for the steel faceplate (AC0331):

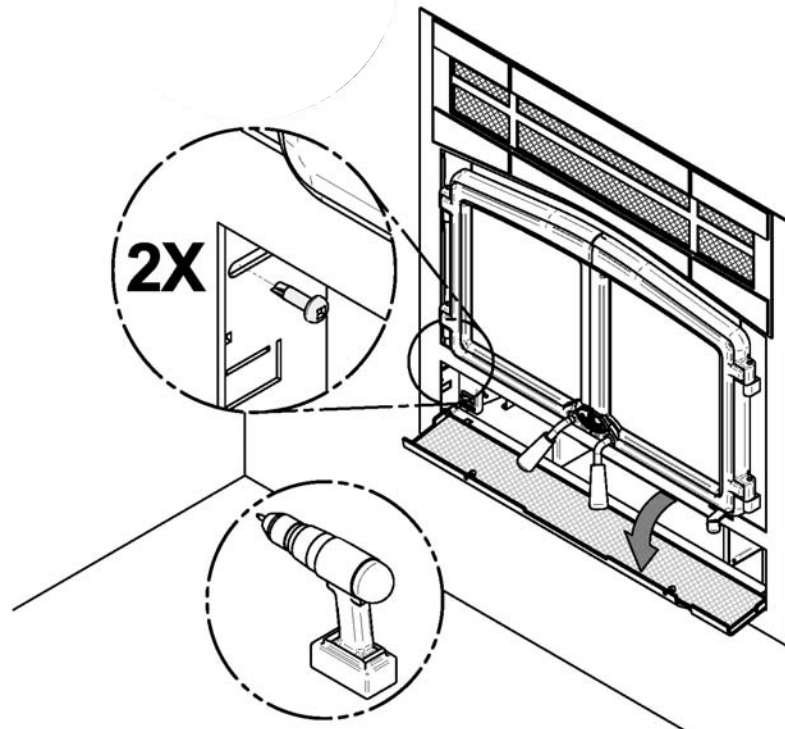
1. Bring the faceplate close to the fireplace.



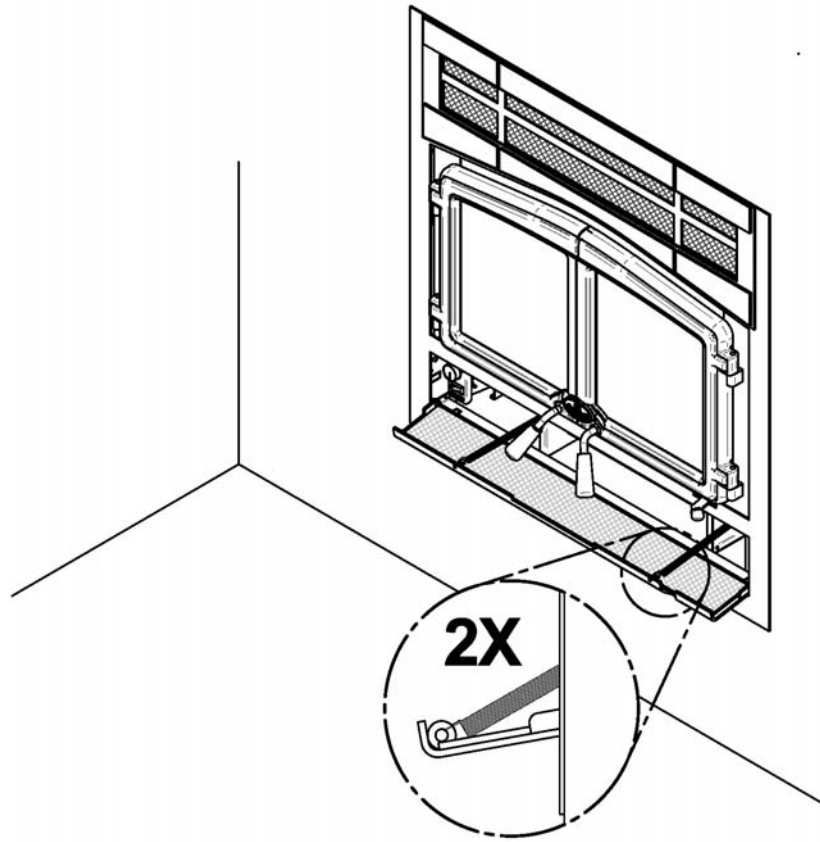
1. Fasten the fireplace top springs on the faceplate in order to hold it.



2. Firmly push the faceplate to the fireplace in order to secure the bottom with 2 self-tapping screws provided with the fireplace owner's manual.

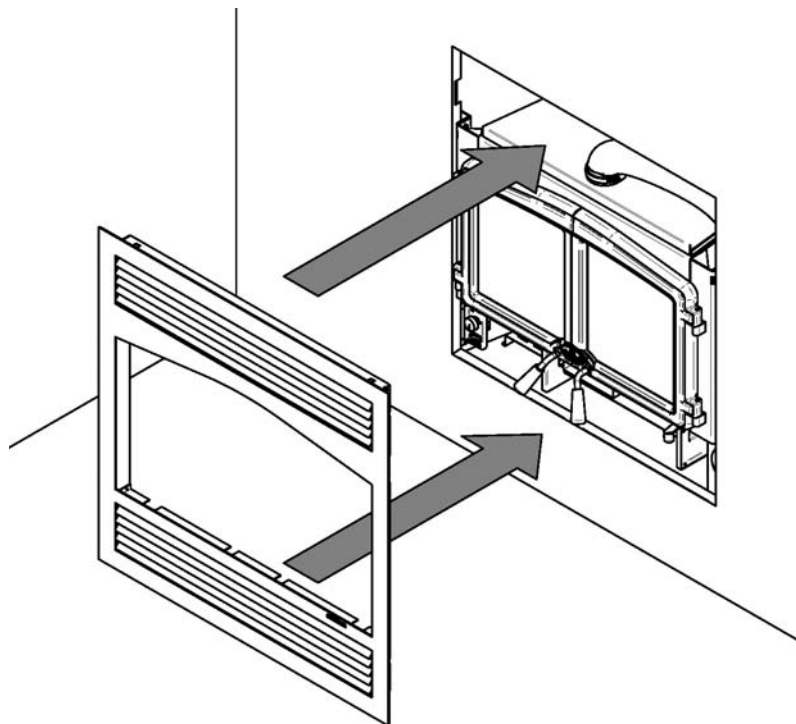


3. Attach the springs at the bottom of the faceplate into the rings of the lower louver provided for this purpose.

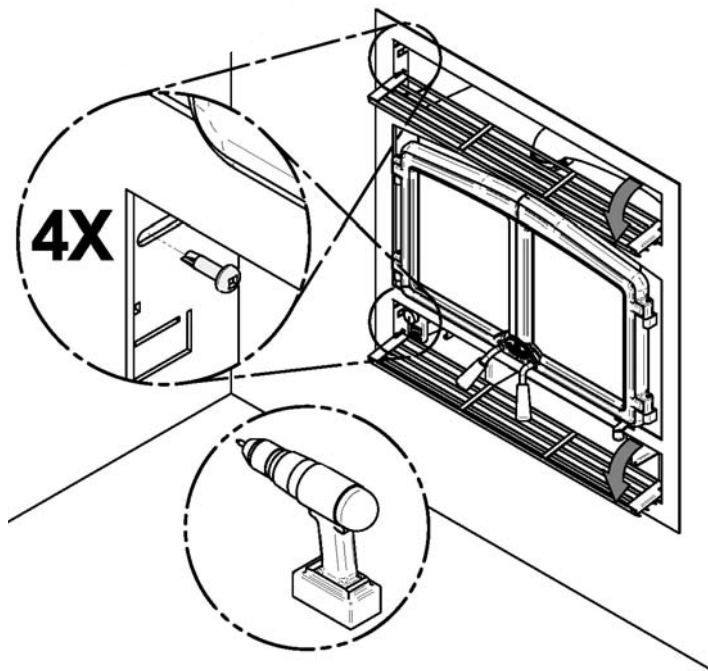


Installing procedure for the steel faceplate (AC0330, AC0332):

1. Bring the faceplate close to the fireplace.



2. Lower the top and bottom louver.
3. Firmly push the faceplate to the fireplace in order to secure the bottom with the 4 self-tapping screws provided in the fireplace owner's manual.



4. Attach the 4 springs to the top and bottom louver.

