

This wood appliance needs periodic inspection and repair. It is against United States federal regulations to operate this wood appliance in a manner inconsistent with the operating instructions in this manual.



INSTALLATION AND OPERATION MANUAL

INSTALLER:

Leave this manual with the appliance.

CONSUMER:

Retain this manual for future reference.

SAFETY INFORMATION

! WARNING

If the information in these instructions are not followed exactly, a fire or explosion may result causing property damage, personal injury or death. Please read the entire manual before you install and use your appliance. This heater has not been tested with an unvented gas log set. To reduce risk of fire or injury, do not install an unvented gas log set into the heater.

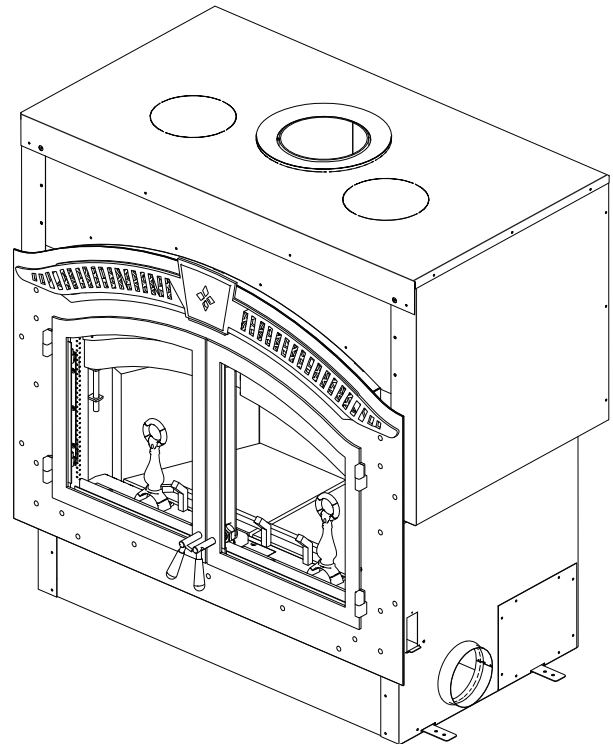
- This heater can be very hot when burning.
- Combustible materials such as firewood, wet clothing, etc. placed too close can catch fire.
- Children and pets must be kept from touching the heater when it is hot.
- The chimney must be sound and free of cracks. Before installing this appliance, contact the local building or fire authority and follow their guidelines.
- Always operate this appliance with the door(s) or screen (where applicable) tightly closed.
- Burn wood behind the log retainer directly on the firebricks.
- Do not use an elevated grate or otherwise raise the fire.
- This appliance is designed to burn natural wood only. Higher efficiencies and lower emissions generally result when burning air dried seasoned hardwoods, as compared to softwoods or to green or freshly cut hardwoods.
- Do not start a fire with chemicals or fluids such as gasoline, engine oil, etc.
- Do not burn trash or garbage, lawn clippings/waste, rubber, waste petroleum products, paints or paint thinners/solvents, plastic, materials containing asbestos, construction debris, railroad ties or treated wood, manure or animal remains, salt water driftwood or salted materials, unseasoned wood, coal, charcoal, coloured paper, cardboard, plywood or particleboard. Burning these materials may result in release of toxic fumes or render the appliance ineffective and cause smoke.
- Do not let the appliance become hot enough for any part to glow red.

Wood Stoves ONLY

- At least 14 squares inches (90.3 square centimeters) of outside air must be admitted to the room or directly to the appliance through a 4" (101.6mm) diameter pipe.
- KEEP THE STOVE TOP TEMPERATURE BELOW 700°F (371°C). Attempts to achieve heat output rates that exceed design specifications can result in steel distortion and damage.



HIGH COUNTRY™ 6000
Low Mass Appliance
 (NZ6000-1 Illustrated)



FOR INDOOR USE ONLY

THIS APPLIANCE HAS BEEN TESTED AND LISTED BY INTERTEK TESTING SERVICES LTD. AS PER THE STANDARDS: ULC S610, UL 127 FOR FACTORY BUILT FIREPLACES.

APPLY SERIAL NUMBER LABEL FROM CARTON



Wolf Steel Ltd., 24 Napoleon Rd., Barrie, ON, L4M 0G8 Canada / 103 Miller Drive, Crittenden, Kentucky, USA, 41030
 Phone 1 (866) 820-8686 • www.napoleon.com • hearth@napoleon.com

WARNING

- This appliance is hot when operated and can cause severe burns if contacted.
- Any changes or alterations to this appliance or its controls can be dangerous and is prohibited.
- Do not operate appliance before reading and understanding operating instructions. Failure to operate appliance according to operating instructions could cause fire or injury.
- Before installing this appliance, contact the local building or fire authority and follow their guidelines.
- This appliance must be installed by a qualified installer. Never try to repair or replace any part of the appliance unless instructions are given in this manual. All other work should be done by a trained technician.
- Risk of burns. The appliance should be turned off and cooled before servicing.
- Do not operate without fully assembling all components. Do not install damaged, incomplete or substitute components.
- Do not let the appliance become hot enough for any part to glow red.
- Risk of cuts and abrasions. Wear protective gloves, footwear and safety glasses during installation. Sheet metal edges may be sharp.
- All wiring should be done by a qualified electrician and shall be in compliance with local codes. In the absence of local codes, use the current CSA22.1 Canadian Electric Code in Canada or the current National Electric Code ANSI/NFPA No. 70 in the United States.
- If equipped, burning your appliance with the ash dump door ajar creates a fire hazard that may result in discoloration to the door, internal damage to the appliance or a house and/or chimney fire.
- Do not connect this appliance to a chimney flue serving another appliance.
- Clothing or other flammable material should not be placed on or near the appliance. Objects placed in front of the appliance must be kept a minimum of 48" (121.9cm) away from the front face of the appliance.
- Due to high temperatures, the appliance should be located out of traffic and away from furniture and draperies.
- Even after the appliance is off, it will remain hot for an extended period of time.
- Any safety screen or guard removed for servicing must be replaced prior to operating the appliance.
- Under no circumstances should this appliance be modified.
- This appliance must not be connected to a chimney flue pipe servicing a separate solid fuel burning appliance.
- Do not operate the appliance with the glass door removed, cracked or broken. Replacement of the glass should be done by a licensed or qualified service person.
- Do not strike or slam shut the appliance glass door.
- Only doors / optional fronts certified with the appliance are to be installed on the appliance.
- If the appliance is not properly installed, a house fire may result. Do not expose the appliance to the elements (ex. rain, etc.) and keep the appliance dry at all times. Wet insulation will produce an odour when the appliance is used.
- The chimney must be sound and free of cracks. Clean your chimney a minimum of twice a year and as required.
- Children and adults should be alerted to the hazards of high surface temperature and should stay away to avoid burns or clothing ignition.
- Young children should be carefully supervised when they are in the same room as the appliance. Toddlers, young children and others may be susceptible to accidental contact burns. A physical barrier is recommended if there are at risk individuals in the house. To restrict access to an appliance or stove, install an adjustable safety gate to keep toddlers, young children and other at risk individuals out of the room and away from hot surfaces.
- Ensure you have incorporated adequate safety measures to protect infants/toddlers from touching hot surfaces.
- Check with your local hearth specialty dealer for safety screens and hearth guards to protect children from hot surfaces. These screens and guards must be fastened to the floor.
- Keep the packaging material out of reach of children and dispose of the material in a safe manner. As with all plastic bags, these are not toys and should be kept away from children and infants.
- Do not start a fire with chemicals or fluids such as gasoline, engine oil, etc.



! WARNING

- Your appliance requires periodic maintenance and cleaning. Failure to maintain your appliance may lead to smoke spillage in your home.
- Ashes must be disposed in a metal container with a tight lid and placed on a non-combustible surface well away from the home or structure until completely cool.
- Ensure clearances to combustibles are maintained when building a mantel or shelves above the appliance. Elevated temperatures on the wall or in the air above the appliance can cause melting, discolouration or damage to decorations, a TV or other electronic components.

! WARNING: This product can expose you to chemicals including lead and lead compounds, which are known to the State of California to cause cancer, and chemicals including carbon monoxide, which are known to the State of California to cause birth defects or other reproductive harm. For more information, go to www.P65Warnings.ca.gov.

For wood appliances:

- Lower emissions generally result when burning air dried seasoned hardwoods, as compared to softwoods or too green or freshly cut hardwoods. Burning wet unseasoned wood can cause excessive creosote accumulation. When this is ignited it can cause a chimney fire that may result in a serious house fire.
- This appliance is designed to burn natural wood only. Do not burn trash or garbage, lawn clippings / waste, rubber, waste petroleum products, paints or paint thinners / solvents, plastic, materials containing asbestos, construction debris, railroad ties or treated wood, manure or animal remains, salt water driftwood or salted materials, unseasoned wood, coal, charcoal, coloured paper, gift wrapping, cardboard, plywood or particleboard. Burning these materials may result in release of toxic fumes or render the appliance ineffective and cause smoke.
- Burn wood directly on the firebricks. Do not elevate grate or otherwise raise the fire.
- Do not store wood within appliance installation clearances or within the space required for re-fueling and ash removal.
- If equipped, the catalyst must be installed and in good working order. It is recommended that the catalyst is inspected at least three times per heating season.

Do not use makeshift compromises during installation. Do not block or restrict air, grille or louvre openings! Do not add a hood. Burning your appliance with the door open or ajar creates a fire hazard that may result in a house and/or chimney fire.

All venting connections must be in compliance with the chimney manufacturers installation instructions. Clearances referred to throughout this manual are the minimum requirements.

Your appliance must be installed in accordance with all national and local building code standards and the standard of Chimney and Appliances, Vents and Solid Fuel Burning Appliances NFPA #211. Consult the authority having jurisdiction (such as municipal building department, fire department, fire prevention bureau, etc.) to determine the need to obtain a permit. If you are in doubt about the proper installation for your situation, contact your dealer or local building or fire official. The manufacturer does not guarantee that this appliance and its options will completely heat your entire home.

Expansion / contraction noises during heating up and cooling down cycles are normal and to be expected.

It is recommended that in all cases, the appliance be secured to the floor. Use the pallet packing brackets to accomplish this.



We suggest that our woodburning hearth products be installed and serviced by professionals who are certified in the U.S. by the National Fireplace Institute® (NFI) as NFI Woodburning Specialists or who are certified in Canada by Wood Energy Technical Training (WETT).



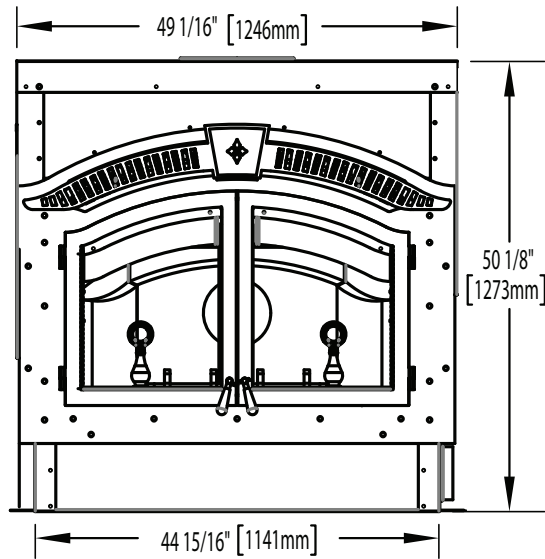
table of contents

1.0	dimensions	5	8.0	selecting wood	33
2.0	general information	6	9.0	operation	34
	2.1 general instructions	6	9.1	operating sounds and smells	34
	2.2 features	7	9.2	fire extinguishers, smoke detectors and carbon monoxide detectors	34
	2.3 this cordwood fuel appliance	7	9.3	establishing draft	35
	2.4 electrical specifications	7	9.4	fuel loading and burn cycle	36
	2.5 packing list	7	9.5	starting the fire	37
	2.6 rating plate information	8	9.6	smoking	39
3.0	installation overview	9			
4.0	installation planning	10	10.0	maintenance	40
	4.1 location and clearances	10	10.1	ash removal procedures	40
	4.2 ventilation openings	11	10.2	creosote formation and removal	40
	4.3 outside combustion air	11	10.3	run-away or chimney fire	41
	4.4 floor protection	12	10.4	chimney cleaning	41
	4.4.1 ember strip and hearth extensions	12	10.5	glass and gasket replacement	42
	4.4.2 hearth extension	13	10.6	care of glass	42
	4.4.3 hearth examples	14	10.7	NZ64 blower replacement	43
5.0	installation	15	11.0	replacement parts	44
	5.1 chimney	15	11.1	overview	45
	5.2 typical chimney installation	16	12.0	accessories	46
	5.3 adding chimney sections	17	13.0	troubleshooting	47
	5.4 offset chimney installation	18	14.0	warranty	48
	5.5 installing flashing and storm collar	19	15.0	service history	49
	5.6 connection to a masonry chimney	19			
	5.7 air cooled chimney installation	20			
6.0	framing	21			
	6.1 when using a solid pack chimney	22			
	6.2 when using an air cooled chimney	22			
	6.3 minimum clearance to combustibles	23			
	6.4 minimum enclosure clearances	23			
	6.5 minimum mantel clearances	24			
7.0	finishing	25			
	7.1 faceplate	25			
	7.2 upper grill installation	25			
	7.3 keystone installation	25			
	7.4 door handle installation	26			
	7.5 door installation	26			
	7.6 door latch installation	27			
	7.7 secondary air tube removal / installation	27			
	7.8 firebrick and baffle installation	28			
	7.9 optional NZ64 blower installation	29			
	7.10 NZ150-KT kit	31			
	7.11 NSK6 optional screen kit	31			
	7.12 smoke shelf	32			

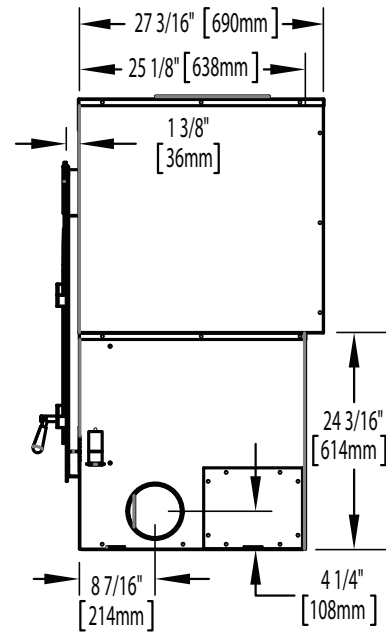
note:

Changes, other than editorial, are denoted by a vertical line in the margin.

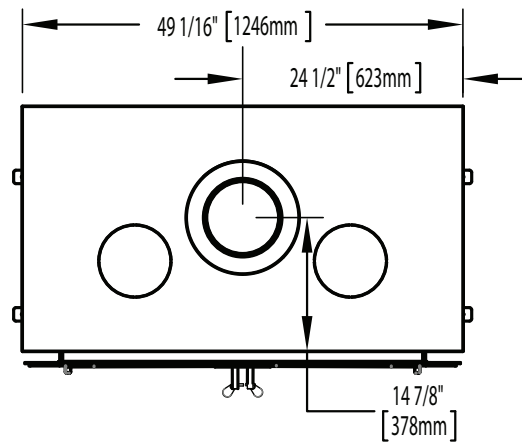
front view



right side view



top view



2.0 general information

There are many other appliances in the home competing with this appliance for air, such as kitchen range hoods, forced air heating devices, and bathroom exhaust fans. Therefore, in order to avoid fire hazards and/or injuries, be sure to provide sufficient combustion air to this appliance.

2.1 general instructions

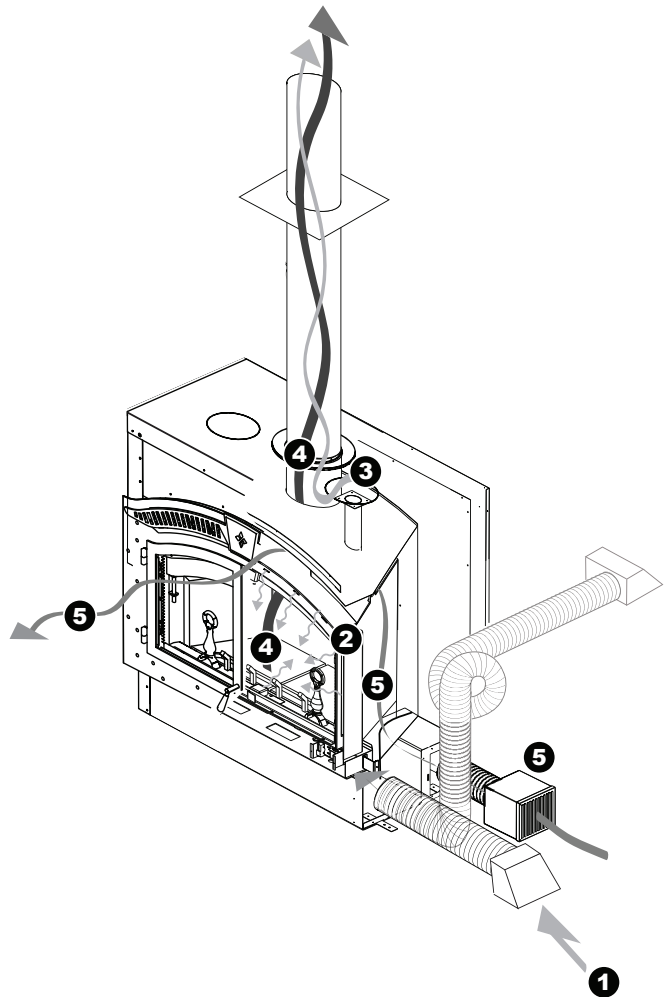
note:

Do not install an appliance insert or other products/accessories not specified for use with this appliance.

! WARNING

- Before installing this appliance, contact the local building or fire authority and follow their guidelines.
- This appliance must be installed by a qualified installer. Follow the installation directions. Do not operate without fully assembling all components.
- If this appliance is not properly installed, a house fire may result.
- Do not expose the appliance to the elements (ex. rain, etc.) and keep the appliance dry at all times. Wet insulation will produce an odour when the appliance is used.
- This appliance is hot when operated and can cause severe burns if contacted. Children and pets must be kept from touching the appliance when it is hot. Contact your local authorized dealer/distributor for safety screens that may be available for this product.
- Combustible material such as firewood, wet clothing, etc. placed too close can catch fire. Objects placed in front of the appliance must be kept a minimum of 48" (121.9cm) from the front of the appliance.
- All wiring should be done by a qualified electrician and shall be in compliance with local codes and with the national electric code ANSI/NF No. 70-current (in the United States), or with the current CSA C22.1 Canadian Electric Code (in Canada).

1. Combustion and dilution air is brought into the appliance through the fresh air intake collars located on the bottom front sides of the appliance.
2. The combustion air is brought into the firebox through many small holes in the airwash located at the top and sides of the opening.
3. The dilution air is introduced high in the firebox above the baffle to cool the chimney.
4. Inside the firebox combustion takes place and exhausts out the chimney.
5. The optional blower can be installed to draw fresh outside air into the home (not recommended in colder climates), then either the NZ150-KT kit or the NZ64 blower can be installed inside and will circulate the air into your home.



2.2 features

- Maximum log length of 32" (81.3cm)
- Optional 320 CFM blower for convection heat
- Thermostat for automatic control of the blower
- Flue outlet diameter 8" (203.2mm)
- Max fuel load 40lbs (18kg)
- Large doors for maximum visibility
- Firebrick lining for firebox protection
- Outside air for combustion

2.3 this cordwood fuel appliance

WARNING

- Do not let the appliance become hot enough for any part to glow red.

This appliance is a decorative product and not intended as a primary heat source.

Approximate heating capacity up to 1,000 square feet (92 square meters).

2.4 electrical specifications

The blower on "HIGH" draws 2.2 amps on 120 volts A.C. (approximately 250 watts).

2.5 packing list

Shipped with appliance:

Installation manual
 Baffle
 Ember Strip
 Log Retainer
 Flex duct w/ start collar 10' (3m) length, 6" (152mm) diameter (1 for NZ150-KT or blower kit and 2 for outside combustion air supplies).

Shipped with faceplate:

Faceplate
 12 faceplate screws

Shipped with the door(s):

Installation instructions and hardware

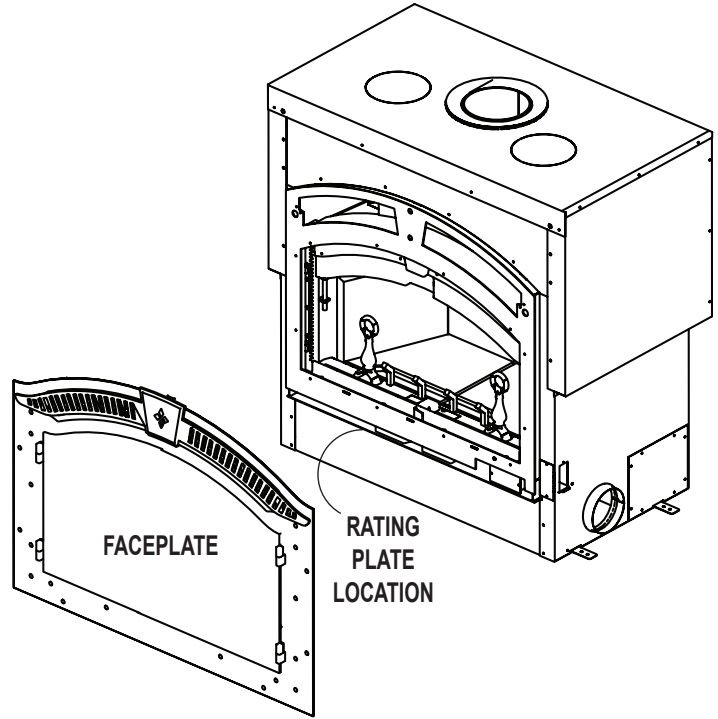
2.6 rating plate information

Rating plate is located behind the appliance face-plate.

This illustration is for reference only. Refer to the rating plate on the appliance for accurate information.

note:

The rating plate must remain with the appliance at all times. It must not be removed.



CERTIFIED TO / CERTIFIÉ SELON: ULC S610, UL-127

Intertek
 9700539 (WSL) 4001658 (NAC)
 4001657 (NSZ) 4001659 (WUSA)

MODEL/NO° DE MODÈLE
NZ6000-1

LISTED FACTORY BUILT FIREPLACE /
 FOYER PRÉFABRIQUÉ HOMOLOGUÉ

HIGH COUNTRY

INSTALL AND USE ONLY IN ACCORDANCE WITH THE MANUFACTURER'S INSTALLATION AND OWNER'S MANUAL. CONTACT LOCAL BUILDING OR FIRE OFFICIALS ABOUT RESTRICTIONS AND INSTALLATION INSPECTION IN YOUR AREA. DO NOT CONNECT THIS UNIT TO A CHIMNEY SERVING ANOTHER APPLIANCE.

POUR INSTALLATION ET UTILISATION CONFORMÉMENT AUX MANUELS D'INSTRUCTIONS DU FABRICANT. RENSEIGNEZ-VOUS AUPRÈS DES AUTORITÉS LOCALES DU BÂTIMENT OU DU SERVICE DES INCENDIES AU SUJET DES RESTRICTIONS ET DES INSPECTIONS D'INSTALLATION DANS VOTRE RÉGION. NE PAS RACCORDER À LA CHEMINÉE D'UN AUTRE APPAREIL.

MANUFACTURE DATE:

YEAR: 2015 2016 2017 2018 2019 2020

MONTH: 1 2 3 4 5 6 7 8 9 10 11 12

OPTIONAL COMPONENTS / PIÈCES OPTIONNELLES

COMPONENTS REQUIRED FOR INSTALLATION:

SHIPPED WITH THE FIREPLACE:
 INSTALLATION MANUAL,
 BAFFLE,
 EMBER STRIP,
 LOGS RETAINER,
 FLEX DUCT W/ START COLLAR 10' LENGTH,
 6" DIA FOR BLOWER AND OUTSIDE AIR SUPPLY).

SHIPPED WITH THE FACEPLATE:
 12 FACEPLATE SCREWS

SHIPPED WITH THE DOOR(S):
 INSTALLATION INSTRUCTIONS AND HARDWARE

CHIMNEY REQUIREMENTS (see installation manual):
 Chimney must be certified to one of the following standards ULC S604, ULC S610 or ULC S629 for Canada or UL 1094T or UL-127 for the United States
 Masonry chimney installation: Stainless steel liner must be certified to ULC S640 M92 or ULC 639 for Canada or UL 1777 for the United States
 Air cored chimney: Use only FMI 8DM

MINIMUM CHIMNEY HEIGHT 16 ft (4.87 m) MAXIMUM NUMBER OF ELBOWS 4
 MAXIMUM CHIMNEY HEIGHT 34 ft (10.36 m) FLUE COLLAR
 MAXIMUM OFFSET ANGLE 30° US 45° CANADA

PREVENT CREOSOTE FIRE- INSPECT CHIMNEY AND CHIMNEY CONNECTOR, IF APPLICABLE, TWICE MONTHLY AND CLEAN IF NECESSARY. DO NOT OVERFIRE. IF EXTERIOR OF UNIT IS COLORED, YOU ARE OVERFIRING. KEEP FURNISHINGS AND OTHER COMBUSTIBLE MATERIALS A CONSIDERABLE DISTANCE AWAY FROM APPLIANCE.

TYPE OF FUEL: WOOD ONLY.
PREVENIR LES FEUX DE CREOSOTE. INSPECTEZ LA CHEMINÉE DU RACCORD DE CHEMINÉE, SI APPLICABLE, DEUX FOIS PAR MOIS ET NETTOYEZ SI NECESSAIRE. NE SURCHAUFFEZ PAS. SI L'EXTERIEUR DE L'UNITÉ DEVIENT ROUGE, VOUS SURCHAUFFEZ. GARDEZ LES MEUBLES ET AUTRES MATÉRIELS COMBUSTIBLES À UNE DISTANCE CONSIDÉRABLE DE L'APPAREIL DE CHAUFFAGE.
 TYPE DE COMBUSTIBLE: BOIS SEULEMENT.

COMPOSANTS REQUIS POUR L'INSTALLATION:

LIVRE AVEC LE FOYER:
 MANUEL D'INSTRUCTIONS,
 DÉLECTEUR,
 PARE-BRAISE,
 PROTECTEURS,
 GAINE FLEXIBLE AVEC COLLET DE RACCORD DE FRÈSE D'AIR DE 10' DE DIAMÈTRE (POUR LA SOUFFLERIE ET L'APPROVISIONNEMENT EN AIR EXTÉRIEUR)

LIVRE AVEC LA FACEPLATE:
 12 VIS POUR LA FACEPLATE

LIVRE AVEC LAUSSES PORTES(S):
 INSTRUCTIONS D'INSTALLATION ET D'OUVERTURE

EXIGENCES POUR LA CHEMINÉE (voir le manuel d'instructions)
 La cheminée doit être certifiée selon l'une des normes suivantes: ULC S604 ou ULC S610 pour le Canada ou selon les normes UL 1094T ou UL-127 pour les États-Unis
 Installation dans une cheminée en maçonnerie: La gaine en acier inoxydable doit être certifiée selon les normes ULC S640 M92 ou ULC 639 pour le Canada ou selon la norme UL 1777 pour les États-Unis
 Cheminée refroidie à l'air: Utilisez seulement FMI 8DM

HAUTEUR MINIMALE DE LA CHEMINÉE: 15 pi (4,57 m) NOMBRE MAXIMAL DE COUDES: 4
 HAUTEUR MAXIMALE DE LA CHEMINÉE: 34 pi (10,36 m) BASE D'ÉVACUATION
 ANGLE DE DÉVIATION MAXIMAL: 30° US 45° CANADA

W385-2005 / D

INSULATED CHIMNEY MINIMUM CLEARANCES TO COMBUSTIBLES:

BACK	0"(0 mm)	TO STAND-OFFS
HEADER	96"(2.44 m)	FROM BASE OF UNIT
CHIMNEY	2"(51 mm)	REFER TO MANUFACTURER'S INSTALLATION INSTRUCTIONS.
MANTEL	12"(305 mm)	TO TOP EDGE OF FACEPLATE
TOP FACING	96"(2.44 m)	FROM BASE OF UNIT
SIDE FACING	6"(153 mm)	FROM SIDE OF UNIT
ADJACENT SIDEWALL	21"(534 mm)	TO EDGE OF FACEPLATE
HEARTH PROTECTION	21"(534 mm)	FROM FRONT OF UNIT
HEARTH PROTECTION	8"(203 mm)	FROM SIDES OF UNIT
*TOP OF UNIT (ENCLOSURE CEILING)	120"(3.05 m)	FROM BASE OF UNIT

*FOR FURTHER INFORMATION SEE THE MANUFACTURER'S INSTALLATION AND OPERATING MANUAL.

DÉGAGEMENTS MINIMAUX DE LA CHEMINÉE PRÉFABRIQUÉE STANDARD AVEC MATÉRIELS COMBUSTIBLES

ARRIÈRE	0"(0 mm)	AUX ESPACES
LINTEAU	96"(2.44 m)	DE LA BASE DE L'APPAREIL
CHEMINÉE	2"(51 mm)	RÉFÉREZ-VOUS AU MANUEL D'INSTRUCTIONS DU FABRICANT.
TABLETTE	12"(305 mm)	DU HAUT DE LA FACEPLATE
DESSUS	96"(2.44 m)	DE LA BASE DE L'APPAREIL
CÔTE	6"(153 mm)	DU CÔTÉ DE L'APPAREIL
MUR LATÉRAL ADJACENT	21"(534 mm)	DU BORD DE LA FACEPLATE
PROTECTION DE PLANCHER	21"(534 mm)	DU DEVANT DU FOYER
PROTECTION DE PLANCHER	8"(203 mm)	DES CÔTÉS DU FOYER
*HAUT DE L'APPAREIL (PLAFOND DE L'ENCLAVE)	120"(3.05 m)	DE LA BASE DE L'APPAREIL

*POUR PLUS D'INFORMATIONS, CONSULTEZ LE MANUEL D'INSTRUCTIONS DU FABRICANT.

AIR COOLED CHIMNEY MINIMUM CLEARANCES TO COMBUSTIBLES:

BACK	0"(0 mm)	TO STAND-OFFS
HEADER	72"(2.83 m)	FROM BASE OF UNIT
CHIMNEY	2"(51 mm)	REFER TO MANUFACTURER'S INSTALLATION INSTRUCTIONS.
MANTEL	12"(305 mm)	TO TOP EDGE OF FACEPLATE
TOP FACING	84"(3.31 m)	FROM BASE OF UNIT
SIDE FACING	6"(153 mm)	FROM SIDE OF UNIT
ADJACENT SIDEWALL	21"(534 mm)	TO EDGE OF FACEPLATE
HEARTH PROTECTION	21"(534 mm)	FROM FRONT OF UNIT
HEARTH PROTECTION	8"(203 mm)	FROM SIDES OF UNIT
*TOP OF UNIT (ENCLOSURE CEILING)	84"(3.31 m)	FROM BASE OF UNIT

*FOR FURTHER INFORMATION SEE THE MANUFACTURER'S INSTALLATION AND OPERATING MANUAL.

DÉGAGEMENTS MINIMAUX DE LA CHEMINÉE REFROIDIE À L'AIR AVEC MATÉRIELS COMBUSTIBLES

ARRIÈRE	0"(0 mm)	AUX ESPACES
LINTEAU	72"(2.83 m)	DE LA BASE DE L'APPAREIL
CHEMINÉE	2"(51 mm)	RÉFÉREZ-VOUS AU MANUEL D'INSTRUCTIONS DU FABRICANT.
TABLETTE	12"(305 mm)	DE LA BASE DE L'APPAREIL
DESSUS	84"(3.31 m)	DU HAUT DE LA FACEPLATE
CÔTE	6"(153 mm)	DU BORD DE LA FACEPLATE
MUR LATÉRAL ADJACENT	21"(534 mm)	DU BORD DE LA FACEPLATE
PROTECTION DE PLANCHER	21"(534 mm)	DU DEVANT DU FOYER
PROTECTION DE PLANCHER	8"(203 mm)	DES CÔTÉS DU FOYER
*HAUT DE L'APPAREIL (PLAFOND DE L'ENCLAVE)	84"(3.31 m)	DE LA BASE DE L'APPAREIL

*POUR PLUS D'INFORMATIONS, CONSULTEZ LE MANUEL D'INSTRUCTIONS DU FABRICANT.

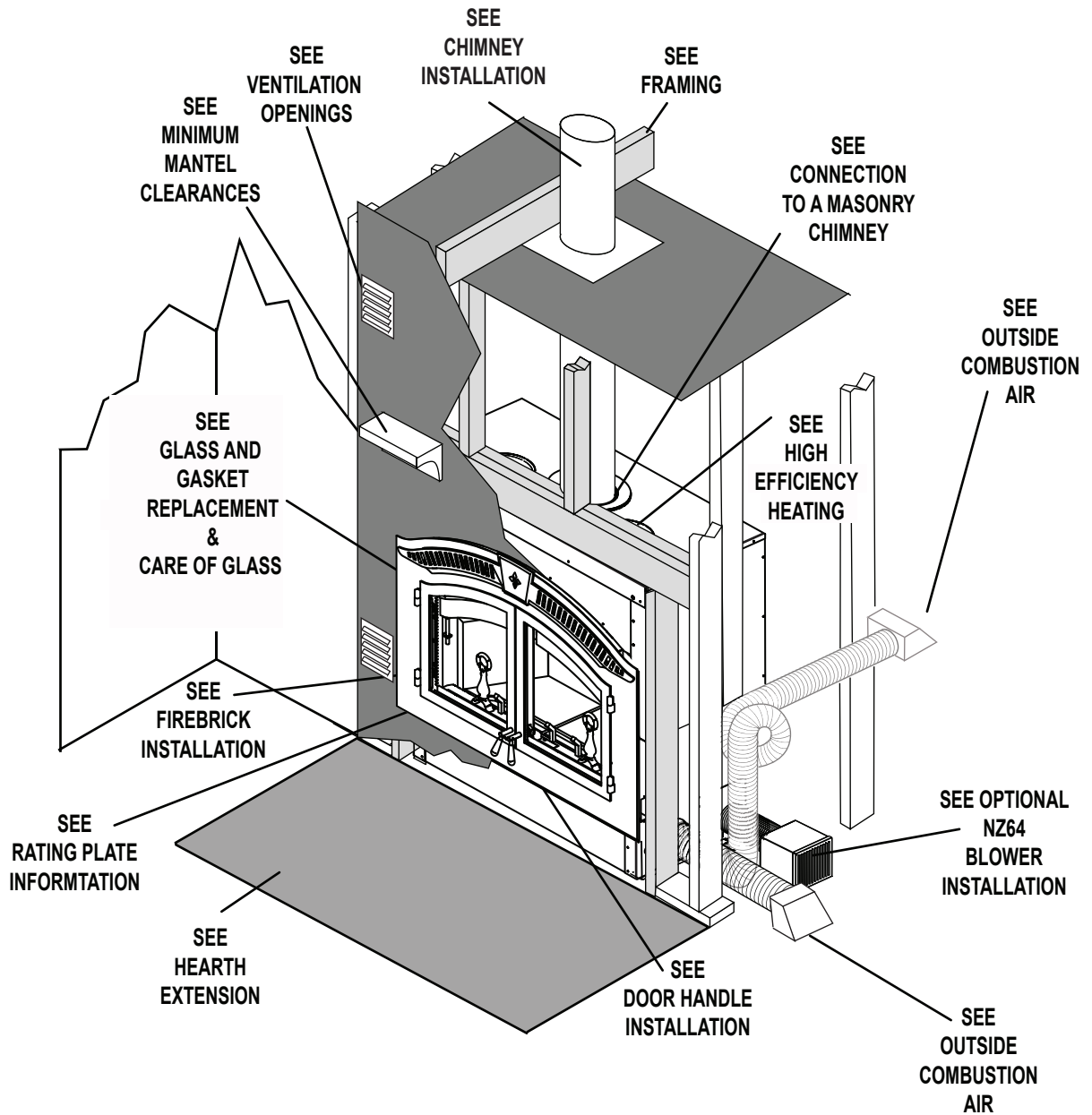
CHIMNEY REQUIREMENTS

STARTER COLLAR NZ6-CT MUST BE USED IN CONJUNCTION WITH FMI 8DM AIR COOLED CHIMNEY

W385-2005 / D

WARNING

- This appliance and its components are designed to be installed and operated as a system. Any alteration to or substitution for items in this system, unless allowed by these installation instructions, will void the ETL listing and may void the product warranty. It may also create a hazardous installation. Read through these instructions thoroughly before starting your installation and follow them carefully throughout your project.



4.0 installation planning

! WARNING

- Wear gloves, protective footwear and safety glasses for protection.
- Carefully follow the instructions for assembly of the pipe and other parts needed to install the appliance. Failure to do so may result in a fire, especially if combustibles are too close to the appliance or chimney and air spacers are blocked, preventing the free movement of cooling air.
- Do not draw outside air from garage spaces. Exhaust products of gasoline engines are hazardous. Do not install outside air ducts such that the air may be drawn from attic spaces, basements or above the roofing where other heating appliances or fans and chimneys exhaust or utilize air. These precautions will reduce the possibility of appliance smoking or air flow reversal. The outside air inlet must remain clear of leaves, debris, ice and/or snow. It must be unrestricted while appliance is in use to prevent room air starvation which can cause smoke spillage and an inability to maintain a fire. Smoke spillage can also set off smoke alarms.
- Negative pressure within your home may inadvertently affect your appliance.
- To prevent contact with sagging or loose insulation, the appliance must not be installed against vapour barriers or exposed insulation. Localized overheating could occur and a fire could result.
- Do not use makeshift compromises during installation. Do not block or restrict air, grille or louvre openings. Do not add a hood.
- To prevent personal injury, keep hand tools in good condition, sharpen cutting edges and make sure tool handles are secure.
- Always maintain the minimum air space required in the enclosure to prevent fires.
- Check with local building officials for any permits required for installation of this appliance and notify your insurance company prior to proceeding.

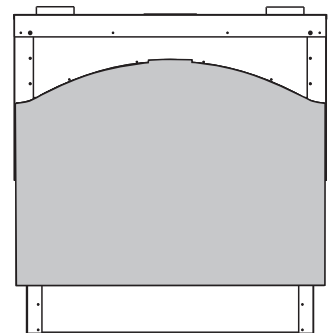
! WARNING

- Do not install into any area having a height less than 7 feet (2.1m) (ceiling of enclosure to appliance bottom, excluding hearth height).

The appliance is shipped with a set-up face that is 1/8" (3.2mm) larger on the top, bottom and each side than the faceplate. Leave the set-up face in place to act as a template when installing the finishing face.

important:

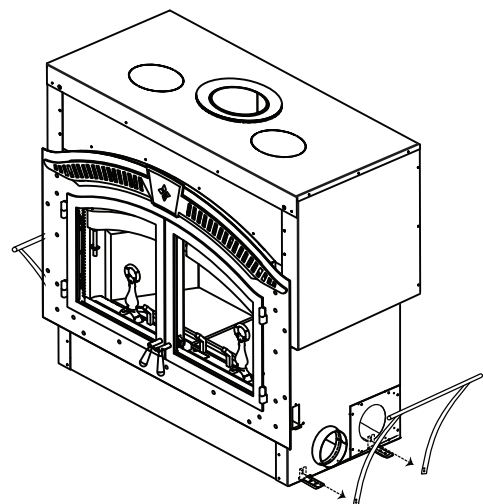
This appliance, fully dressed, weighs 850lbs (386kg). Ensure there is adequate floor support for the appliance, chimney, and facing material. Some material could weigh thousands of pounds.



4.1 location and clearances

We recommend that the appliance be secured to the floor in all cases.

Using the door opening as a datum, level the appliance by shimming underneath the appliance. Remove and discard the lifting handles. Bend the tabs down and secure the appliance to the floor.



4.2 ventilation openings

note:

In order to avoid fire hazards and/or injuries, the appliance enclosure must be provided with sufficient air circulation.

Install ventilation grilles (minimum openings of 40 sq. inches (0.03 sq. meters)) at both floor and ceiling levels of the enclosure. These grilles must not restrict the flow of heat by more than 25%. Do not install into any area having a height less than 7 ft (2m) (ceiling of enclosure to appliance bottom, excluding hearth height). The location of windows, doors and the traffic flow in the room where the stove is to be located should be considered. If possible, you should choose a location where the chimney will pass through the house without cutting a floor or roof joist.

For more information on ventilation grilles and openings, see "when using a solid pack chimney" section.

4.3 outside combustion air

note:

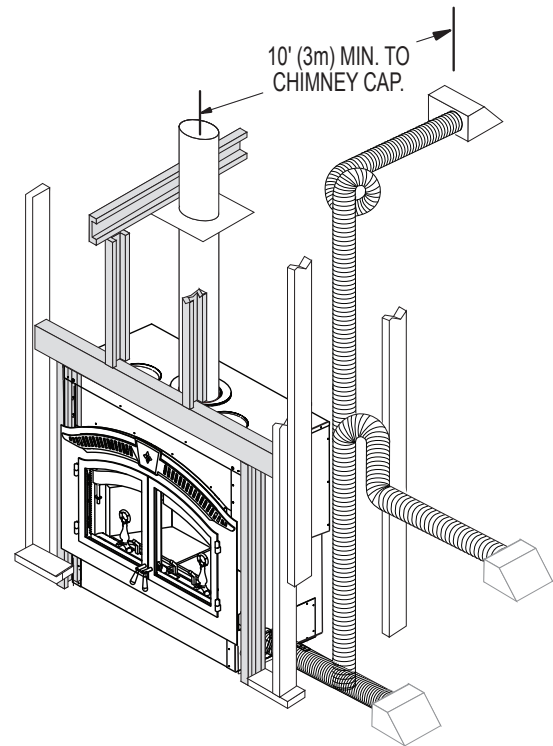
Incorporate a vertical loop or trap into air liners to reduce air flow when appliance is not in use.

Insulating the intake liners is recommended in colder climates to prevent condensation from occurring.

The Napoleon Model NZ6000-1 takes outside air directly into the appliance through the openings in the left and right hand sides.

Decide on the most convenient location for the fresh air inlet ducts and hoods which may be installed above or below floor level.

The fresh air inlet ducts and hoods must be installed. Secure and seal the intake liners to the collars using 3 sheet metal screws, and high temperature sealant.



Vertical rise is between:	Horizontal run may be:
6' (1.8m) & 10' (3m) max	5' (1.5m)
3' (0.9m) & 6' (1.8m)	15' (4.6m)
1' (0.3m) & 3' (0.9m)	20' (6.1m)
0' (0m) & 1' (0.3m)	25' (7.6m)

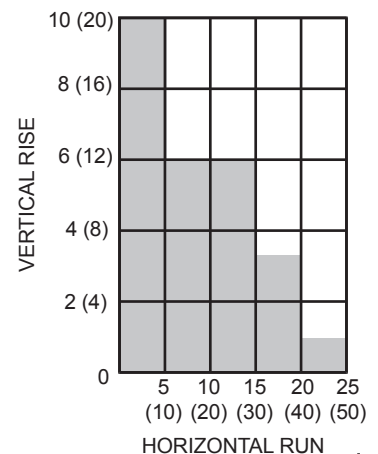
Included with the appliance are:

- Two 10' (3m) lengths of vent. Use a connector and seal if adding more length.
- Two of intake hoods.

The vertical height of the air intake liner must not be greater than 2/3 the height of the chimney. If additional liner length is required, it may be doubled by increasing the size from 6" (152mm) diameter to 8" (203mm) diameter. Use a 6" (152mm) to 8" (203mm) increaser at the hood and a decreaser at the appliance. Values in brackets represent 8" (203mm) diameter intake liners.

The duct terminations must be located so they can not be blocked (i.e. snowdrifts). 4' (1.2m) above grade is recommended. Make a 6 1/2" (165mm) inch hole to suit in an outside wall of the house. From outside, place the fresh air hood into the hole, open side down. Seal with caulking and secure.

AIR INTAKE LINERS



installation planning

4.4 floor protection

4.4.1 ember strip and hearth extensions

! WARNING

- Hearth extensions are to be installed only as described to prevent high temperatures from occurring on concealed combustible materials. Hearth ember strips prevent burning or hot particles from inadvertently falling directly on combustible surfaces in the event the building should settle and disturb the original construction.

An acceptable 61 ½" (156.2cm) x 20" (50.8cm) non-combustible (ie: brick, stone or ceramic tile) hearth extension must be installed. Hearth must extend 20" (50.8cm) in front of the faceplate when it is not elevated (see local building codes). Hearth must extend a minimum of 6" (152mm) to both sides of the appliance [61 ½" (156.2cm)].

The hearth must extend a minimum 20" (50.8cm) in front of the appliance although if raised a minimum of 6 ½" (165mm), the 20" (50.8cm) may be reduced to a minimum of 18" (45.7cm).

The hearth must extend a minimum of 6" (152mm) to both sides of the appliance [61 ½" (156.2cm)]

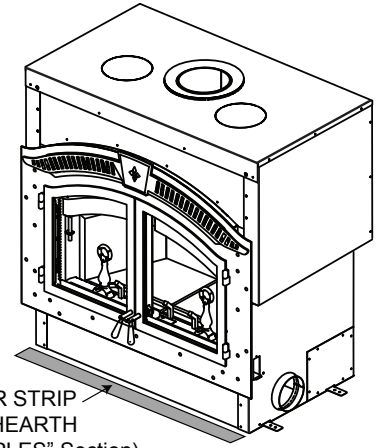
The hearth must be a minimum of 1" (25mm) thick cement board (or equivalent) plus ¼" (6.4mm) ceramic tile.

Ensure that the gap between the appliance and a non-combustible hearth extension is sealed with sand/cement grout or covered with an ember strip (or both) to prevent sparks and embers from falling into this area.

Raised hearths must be constructed of non-combustible materials such as cement blocks or bricks.

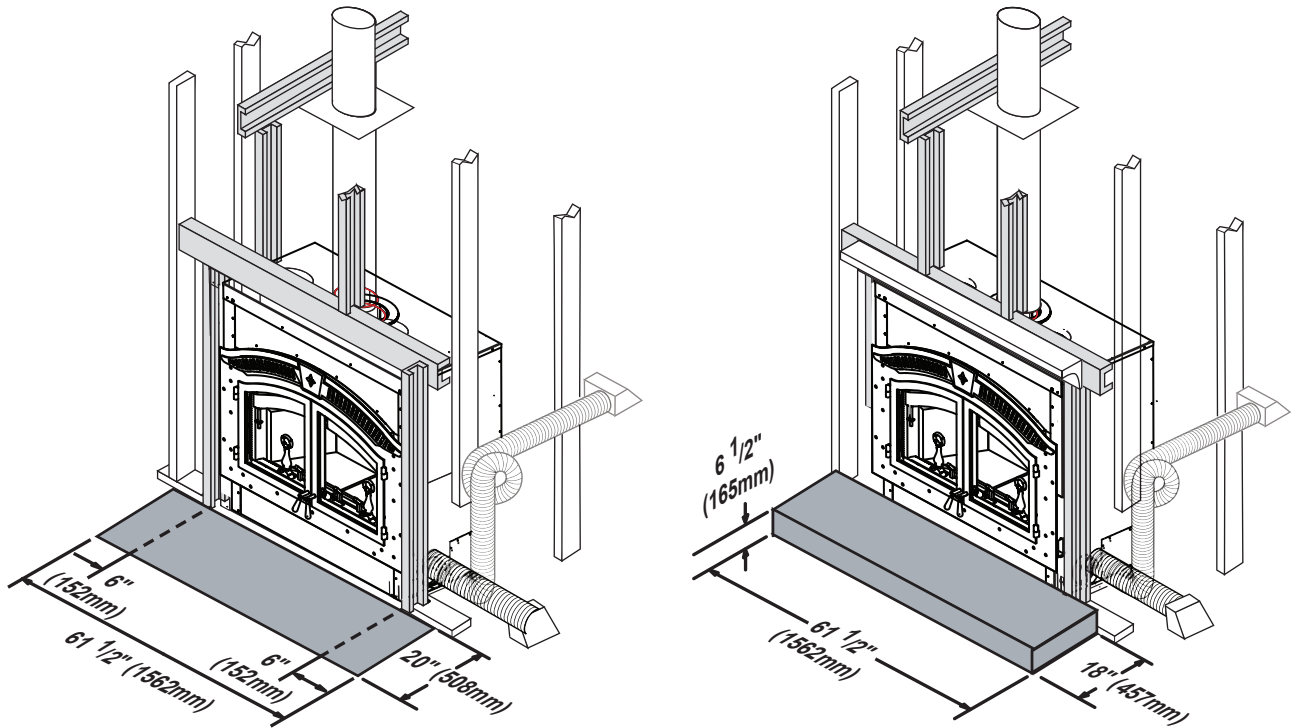
While the appliance can be installed directly on the floor, a non-combustible hearth extension is required in front of the appliance, that must not be built higher than the bottom of the appliance faceplate. It may therefore be advisable to build the appliance on a raised platform.

A raised hearth together with the appliance built on a raised platform is recommended for easier wood loading and fire viewing.



EMBER STRIP
(See "HEARTH
EXAMPLES" Section)

4.4.2 hearth extension



An acceptable 61 1/2" (156.2cm) x 20" (50.8cm) non-combustible (ie: brick, stone or ceramic tile) hearth extension must be installed. Hearth must extend 20" (50.8cm) in front of the faceplate when it is not elevated (see local building codes). Hearth must extend a minimum of 6" (152mm) to both sides of the appliance [61 1/2" (156.2cm)].

Hearth must be a minimum of 1" (25mm) thick cement board (or equivalent) plus 1/4" (6.4mm) ceramic tile.

Ensure that the gap between the appliance and a combustible hearth extension is sealed with sand/cement grout or covered with a metal strip (or both) to prevent sparks and embers from falling into this area.

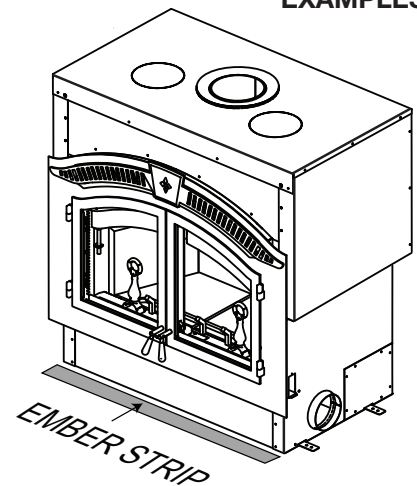
HEARTH EXTENSION

Elevated hearths must be constructed of noncombustible materials such as cement blocks or bricks.

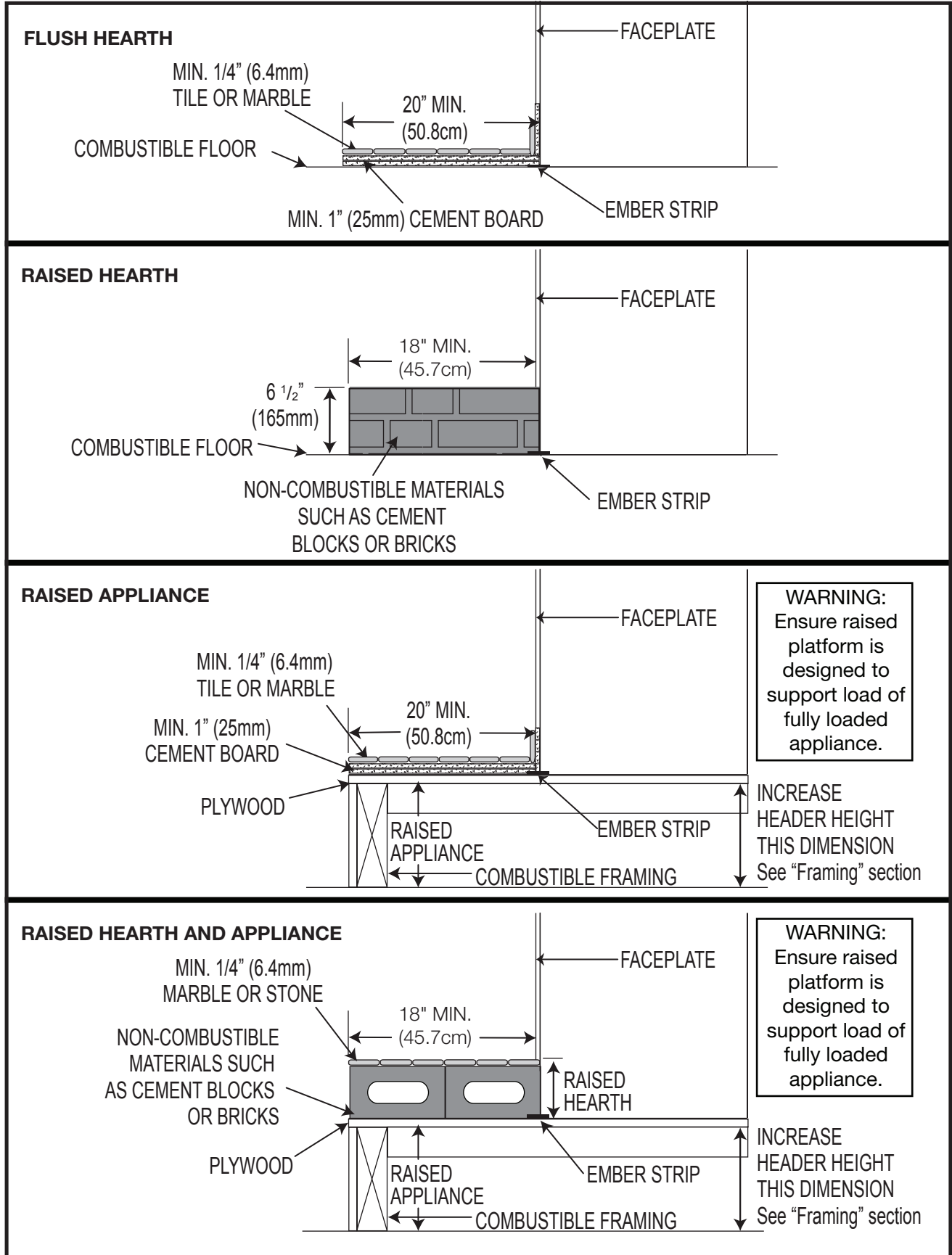
While the appliance can be installed directly on the floor, a non-combustible hearth extension is required in front of the appliance, that must not be built higher than the bottom of the appliance faceplate. It may therefore be advisable to build the appliance on a raised platform.

Hearths raised minimum 6 1/2" (165mm) must extend a minimum of 18" (45.7cm).

SEE HEARTH EXAMPLES



4.4.3 hearth examples



WARNING

- Never install a single wall slip section or smoke pipe in a chase structure. The higher temperature of this single wall pipe may radiate sufficient heat to combustible chase materials to cause a fire.
- To avoid danger of fire, all instructions must be strictly followed, including the provision of air space clearance between chimney system and enclosure. To protect against the effects of erosion on those parts exposed to the weather, we recommend that the chase top be painted with a rust-resistant paint.
- Maintain a minimum 2" (51mm) air clearance to all parts of the chimney system at all times. Failure to maintain this 2" (51mm) air clearance will cause a structure fire.
- Detailed instructions for installation of the chase top, storm collar, and termination cap are packaged with these parts.
- Firestop spacers must be used whenever the chimney penetrates a ceiling/floor area.
- The chimney must be sound and free of cracks. Clean your chimney a minimum of twice a year, and as required.

A raised hearth, together with the appliance built on a raised platform, is recommended for easier wood loading and fire viewing.

5.1 chimney

note:

All venting connections must be in compliance with the chimney manufacturer's installation instructions.

This appliance was tested to CAN/ULC S610 and UL 127 Factory Built Fireplace Standards. This appliance has met the test criteria for Zero Clearance Installation to Combustible Surfaces and Certified to burn firewood only.

Any chimney listed to the following standards; CAN/ULC-S604 and CAN/ULC-S629 for Canada or UL-103 or UL-103HT for the United States may be installed.

note:

Use only the chimney diameter specified on the rating plate of the appliance.

Installation of all types of factory-built chimney systems is to be in accordance with the chimney manufacturers installation instructions. An appropriate chimney manufacturers anchor base plate and anchor base plate gasket is required in order to initiate their system. Use the high temperature gasket, supplied, to seal between the anchor plate and the appliance top. Air cooled chimney systems are not recommended in colder climates.

For complete installation instructions, refer to instructions provided with the manufactured chimney system.

A chimney venting the appliance shall not vent any other appliance. The minimum overall chimney height from the top of the appliance is 15ft (4.6m). The maximum overall chimney height from the top of the appliance is 34ft (10.4m).

Factory-built chimney systems for use in dwellings constructed for three or more families must be enclosed above the room in which the appliance is located. This enclosure must have a fire resistance rating equal to or greater than that of the floor or roof assembly through which they pass.

The chimney should not be built with an offset angle in excess of 45° in Canada and 30° in USA.

Ensure that minimum clearances are maintained.

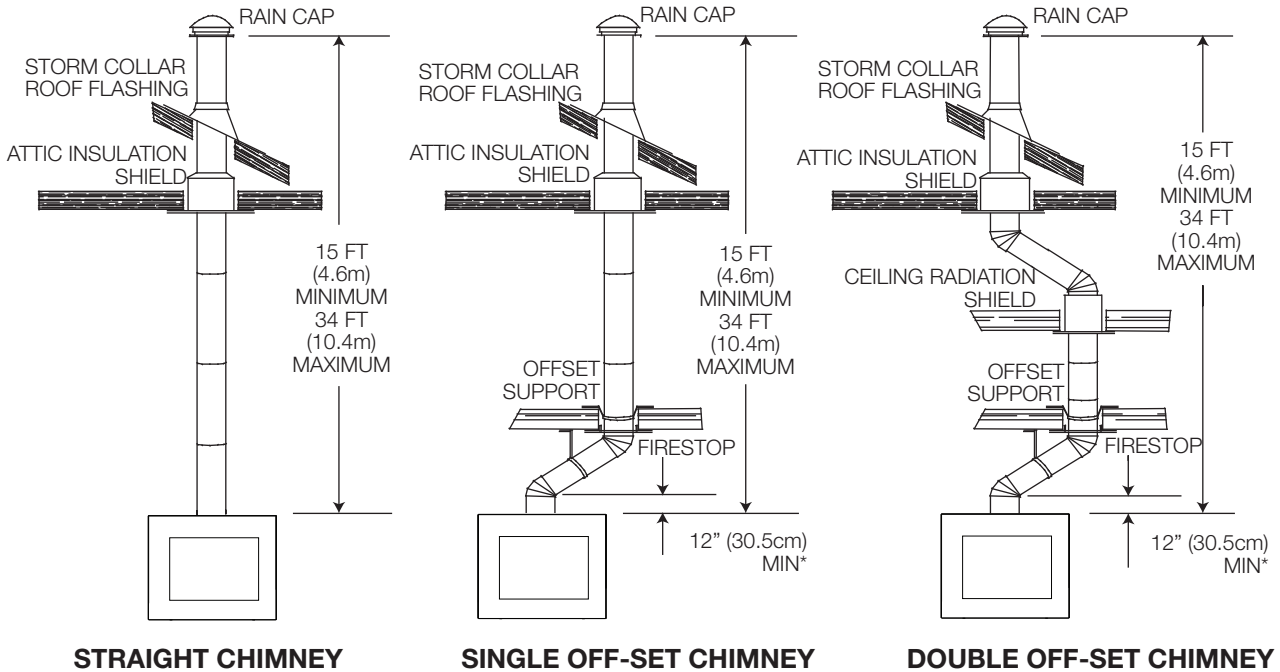
Portions of the chimney that extend through accessible spaces must always be encased to avoid personal contact with the chimney and thereby avoid damage to the chimney.

The chimney must be supported at a maximum of 20ft (6.1m) intervals. Every 20 ft (6.1m) of chimney can weigh up to approximately 200lbs (90.7kg).



ANCHOR PLATE FOR A FACTORY BUILT CHIMNEY

5.2 typical chimney installation

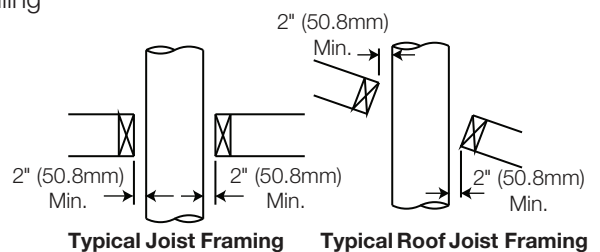
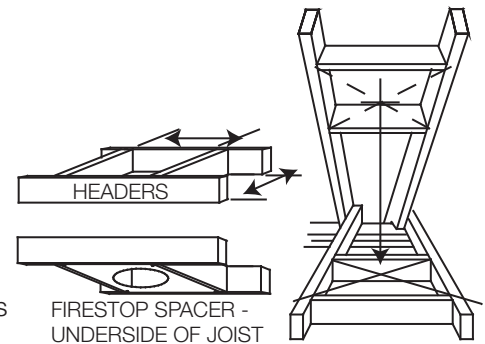


* The first flue offset closest to the top of the appliance must be a minimum distance of 12" (30.5cm) from the top of the appliance.

- Move the appliance into position. Try to center the exhaust flue of the appliance, midpoint between two joists to prevent having to cut them. Use a plumb bob to line up the centre.
- Cut and frame an opening in the ceiling to provide a minimum clearance of 2" (50.8mm) between the outside of the chimney and any combustible material. **DO NOT FILL THIS SPACE WITH ANY TYPE OF MATERIAL!** Nail headers between the joists for extra support. Firestop spacers must be placed on each framed opening in any floor or ceiling that the chimney passes through.
- Hold a plumb bob from the underside of the roof to determine where the opening in the roof should be. Cut and frame the roof opening maintaining proper 2" (50.8mm) clearances.

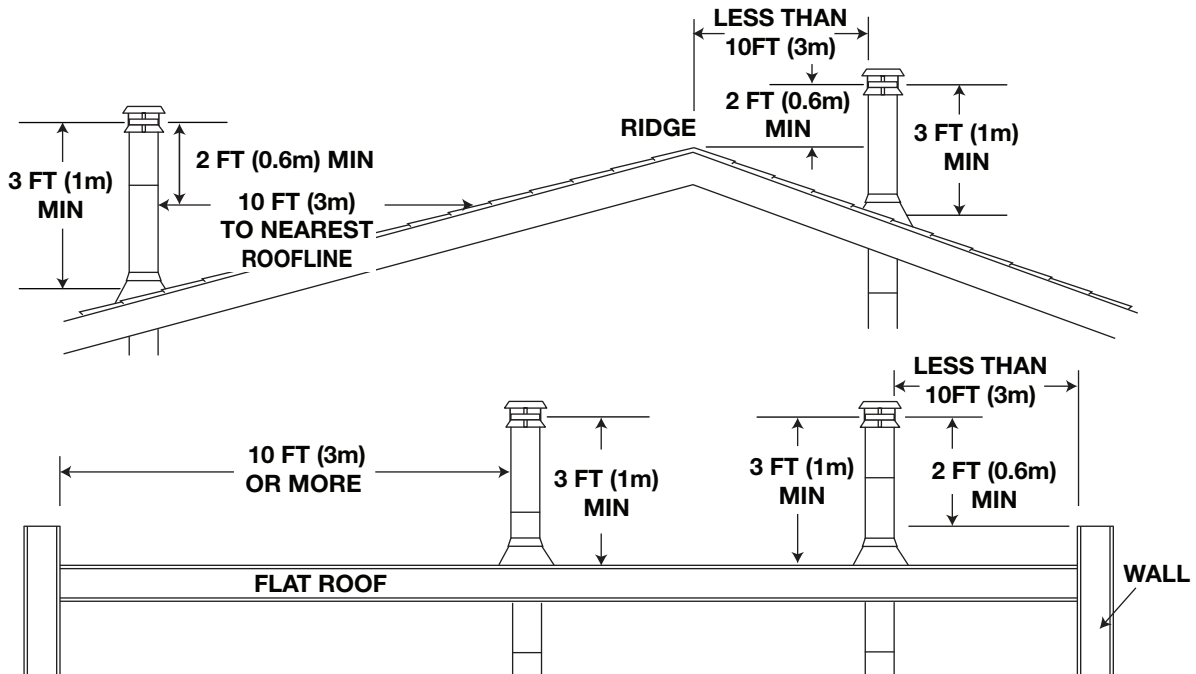
note:

30° or 45° offsets may be installed back to back.

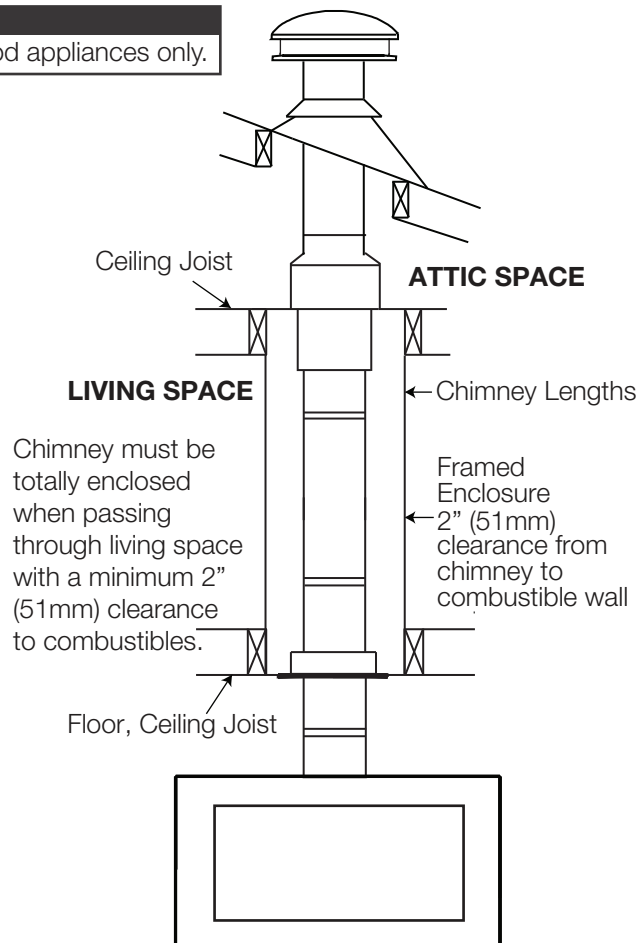


5.3 adding chimney sections

Add chimney sections, according to the manufacturer's installation instructions. If the chimney system passes through an attic space, a rafter radiation shield or attic insulation shield is required. The chimney must extend at least 3ft (0.9m) above its point of contact with the roof and at least 2ft (0.6m) higher than any wall, roof or building within 10ft (3.1m). If the chimney extends more than 5ft (1.5m) above the roof, it must be secured using a roof brace or guide wires. A raincap must be installed to avoid internal damage and corrosion.



note:
This illustration is for wood appliances only.



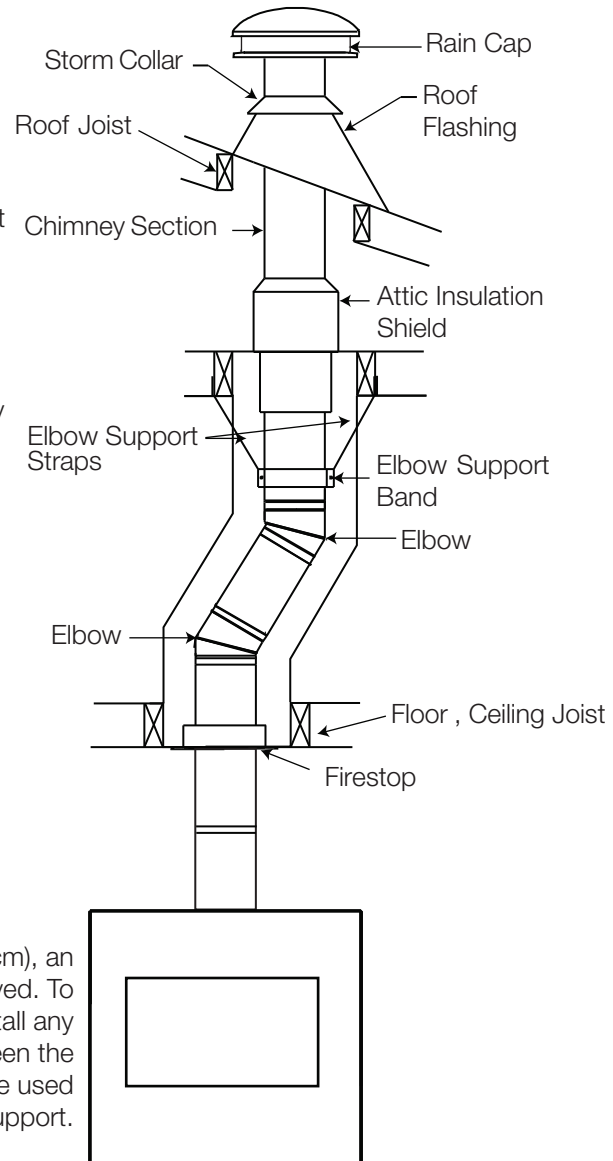
5.4 offset chimney installation

! WARNING

- Chimney sections installed between an offset and return require structural support to reduce off-center loading and to prevent chimney sections from separating at the chimney joists.
- The chimney should not be built with an offset angle in excess of 45° in Canada and 30° in USA. Do not combine offset chimney components to exceed these angles.

The first flue offset closest to the top of the appliance must be a minimum distance of 12" (30.5cm) from the top of the appliance.

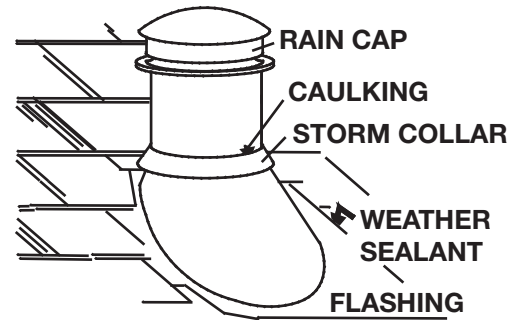
Attach an elbow to the chimney section, angled toward the offset. Secure according to chimney manufacturer's instructions. Chimney sections must be adequately secured one to the other to ensure they do not separate. To achieve the minimum offset, attach and secure a second elbow. To achieve longer offsets, you may install any available length of chimney pipe between the elbows. Supports must be used on the first vertical chimney section after a return elbow.



If the offset length is more than 36" (91.4cm), an intermediate support must be employed. To achieve longer offsets, you may install any available length of chimney pipe between the elbows. The intermediate support must be used in conjunction with an offset support.

5.5 installing flashing and storm collar

The following are generic installation instructions for installing the flashing around a chimney. Installation of all types of factory-built chimney systems is to be in accordance with the chimney manufacturer's installation instructions. Remove the nails from the shingles above and to the sides of the chimney. Place the flashing over the chimney pipe and slide underneath the sides and upper edge of the shingles. Ensure that the chimney pipe is properly centered within the flashing, giving a 3/4" (19.1mm) margin all around. Fasten to the roof on the top and sides. **DO NOT NAIL** through the lower portion of the flashing. Make weather-tight by sealing with caulking. Where possible, cover the sides and top edges of the flashing with roofing material. Apply waterproof caulking, provided with the flashing, around the chimney, 1" (25.4mm) above the top of the flashing and push the storm collar down into the caulking. Insert a rain cap onto the top of the last chimney section.



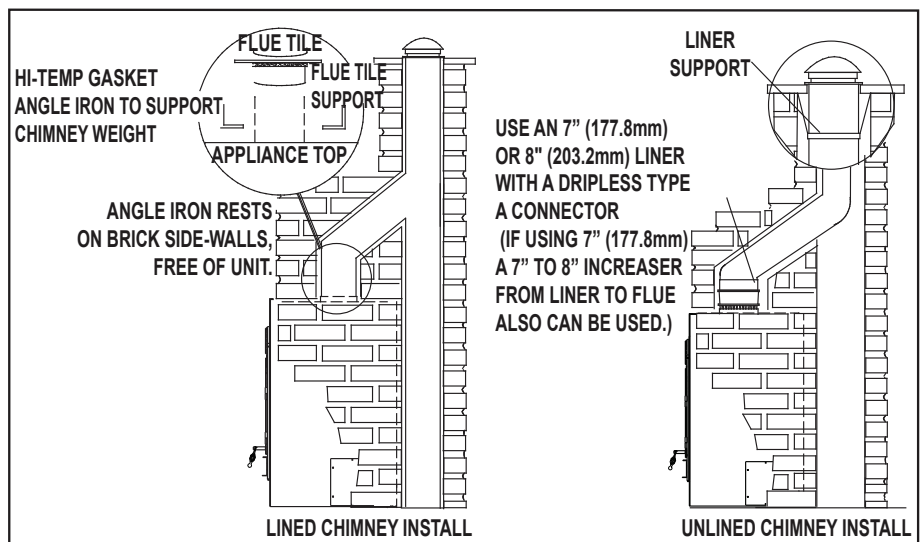
5.6 connection to a masonry chimney

The appliance may be connected to either a lined or unlined masonry chimney.

IF THE CHIMNEY IS LINED:

The flues must be made of vitrified clay and be in sizes of 8" (203.2mm) square or 8" (203.2mm) round (inside diameters) or 8"x12" [(203.2mm x 304.8mm)] with a minimum height of 15 feet (4.6m) above the appliance.

8" (203.2mm) round flues are recommended.



Installation must conform to both national and local code requirements.

IF THE CHIMNEY IS UNLINED:

A stainless steel liner listed to either Standard ULC-S640M in Canada or UL-1777 in the USA, must be used. Liners for new masonry chimneys may be used to connect the appliance to the chimney. The liner must be continuous from the appliance to the chimney cap and be installed only per manufacturers instructions.

In both cases, the chimney structure must be supported by angle iron anchored into the masonry walls. The allowable masonry used in chimney construction is 3 1/2" (88.9mm) brick, solidly mortared and must fully encase the flue. Ensure there are no leaks.

In no case is the masonry enclosure to be supported by the appliance. Allow a 1" (25.4mm) air cavity for expansion. Use the flue tile support accessory, see your local authorized dealer / distributor.

note:
The flue tile support is to be suspended on appropriate lintels.



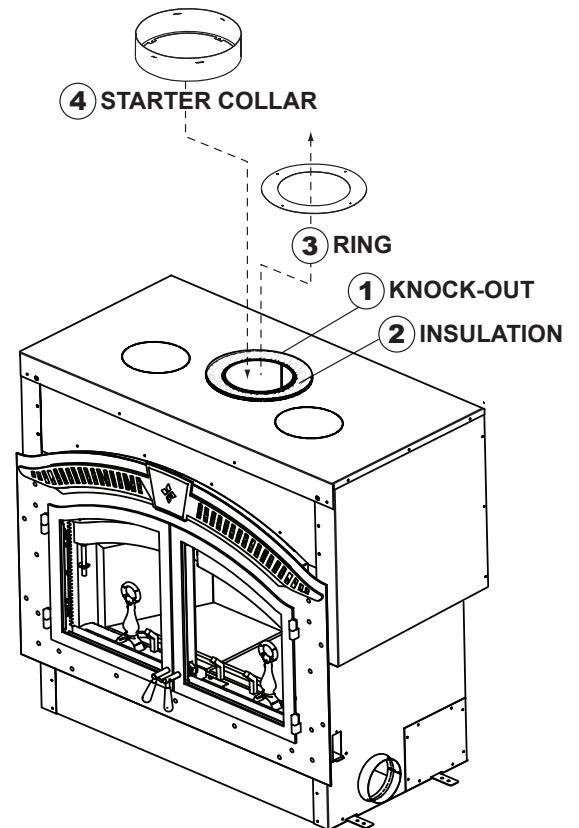
FOR A MASONRY APPLIANCE USE A FLUE TILE SUPPORT. FOR A PRE-FABRICATED CHIMNEY USE AN ANCHOR PLATE.

5.7 air cooled chimney installation

- A. Remove the knock out.
- B. Cut away the insulation to gain access to the ring.
- C. Remove the ring secured by four screws.
- D. Slide the starter collar through the insulation wrap and affix using the four screws removed in step C.
- E. Secure the inner liner of the chimney to the appliance 8" (203mm) collar using 3 screws supplied with the starter collar (W170-0098).
- F. Follow the chimney manufacturer's instructions for installing the chimney.

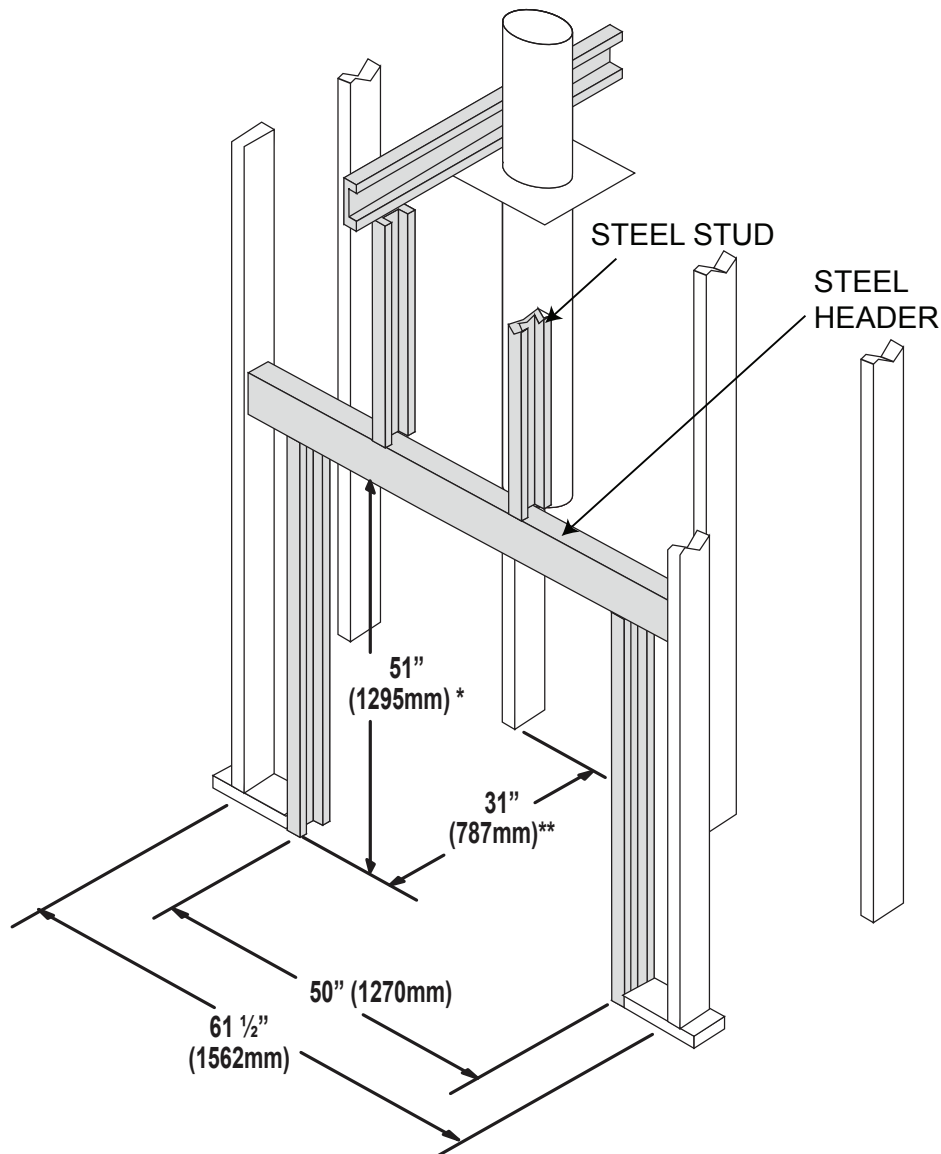
Use only the following brand and type of chimney.

CHIMNEY COMPONENTS	FMI 8DM
12" (304.8mm) Chimney Section	12-8DM
18" (457.2mm) Chimney Section	18-8DM
24" (609.6mm) Chimney Section	24-8DM
36" (914.4mm) Chimney Section	36-8DM
48" (1219.2mm) Chimney Section	48-8DM
Offsets	30E-8DM
Flashing	6F8 or 12F8
Chimney Cap	RTL-8HT
Roof Support	38 RS
Firestop	FS-8DM
CHIMNEY COMPONENTS	WOLF STEEL
Starter Collar	NZAC-KT



! WARNING

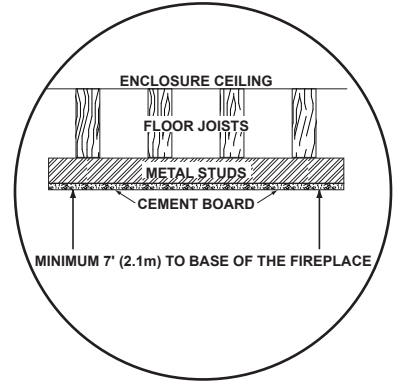
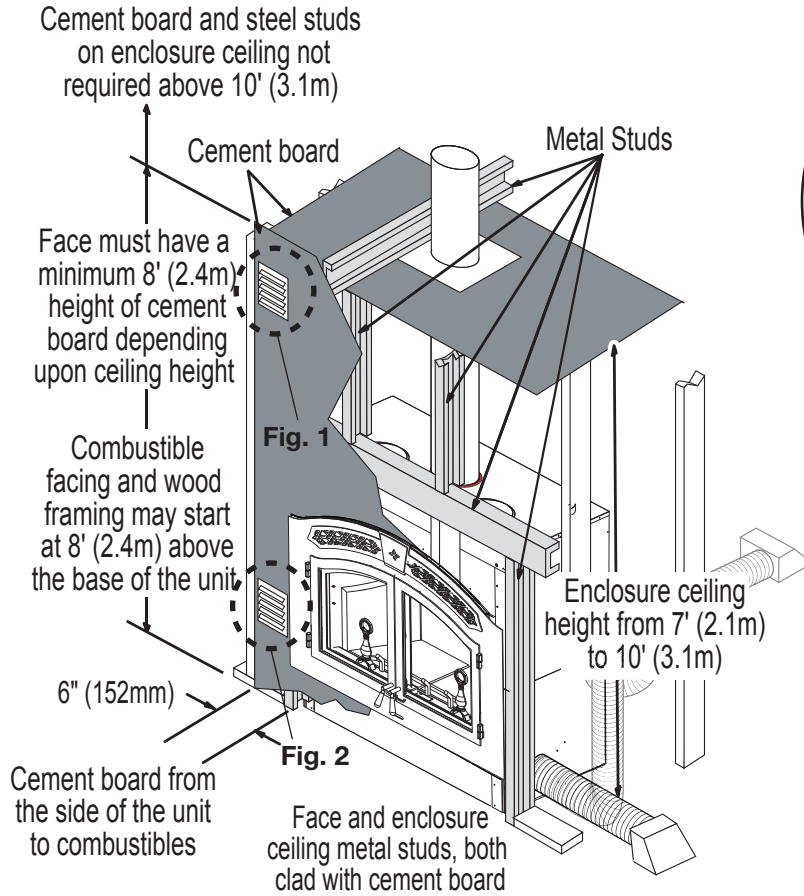
- In order to avoid the possibility of exposed insulation or vapour barrier coming in contact with the appliance body, it is recommended that the walls of the appliance enclosure be "finished" (i.e. drywall/sheetrock), as you would finish any other outside wall of a home. This will ensure that clearance to combustibles is maintained within the cavity.
- A minimum of 6" (152mm) to combustible materials is required to both sides of the appliance (see "minimum clearance to combustibles" section).
- Do not pack required air spaces with insulation or other materials.
- Do not build shelves or cupboards into the area above the appliance.
- Objects placed in front of the appliance must be kept a minimum of 48" (121.9cm) away from the front face of the appliance.



* Allow for finished floor and hearth thickness when setting these dimensions.

** When constructing the enclosure allow for finishing material thickness and to maintain clearances.

6.1 when using a solid pack chimney



The appliance face and enclosure ceiling must be framed using 2x4 metal studs.

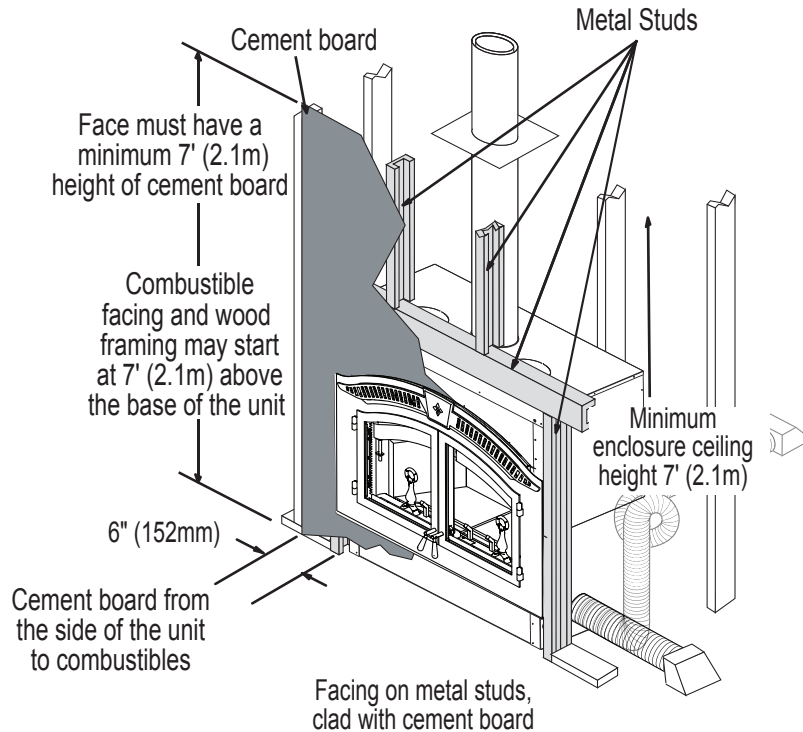
The minimum enclosure ceiling height is 7 feet (2.1m).

Non-combustible materials (cement board and metal studs) must be used.

note:

For more information on ventilation openings (Fig. 1 and Fig. 2), see "ventilation openings" section.

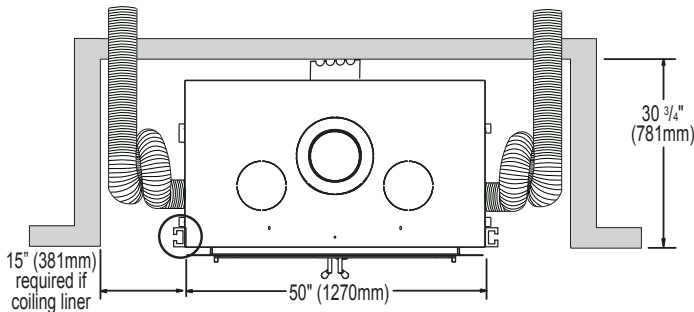
6.2 when using an air cooled chimney



6.3 minimum clearance to combustibles

Framed Enclosure	
Rear	- 0" (0mm) to stand-offs (rear)
Sides	- 6" (152mm) to sides
Ceiling (enclosure)	- 120" (304.8cm) from the base of the appliance (unless shielded with metal studs and cement board)
Ceiling (in front of appliance)	- 84" (213.4cm) from the base of the appliance
Chimney	- 2" (51mm) (follow manufacturers instructions)
Hot air Gravity Ductwork Insulation	- 1" (25mm)
Solid Pack Chimney	
Ceiling (enclosure)	- 120" (304.8cm) from the base of the appliance (unless shielded with metal studs and cement board).
Air Cooled	
Ceiling (enclosure)	- 84" (213.4cm) from the base of the appliance

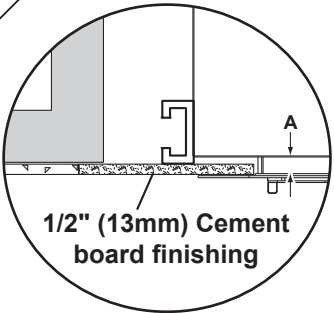
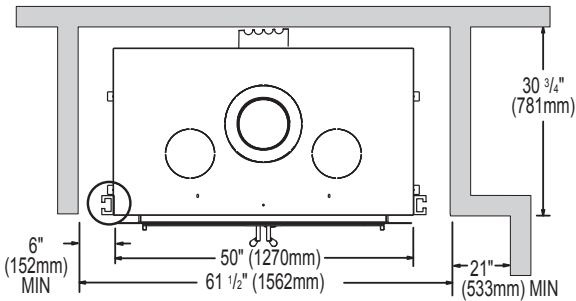
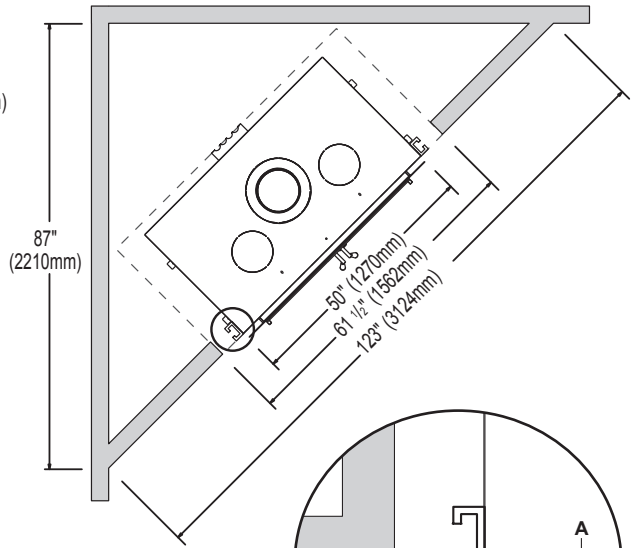
6.4 minimum enclosure clearances



Shown with air intake liner coiled to create a cold trap.

OR

A minimum of 6" (152mm) is required to combustibles from the side of the appliance. This is only if the intake liner is routed below the 2" (51mm) projection of the outer casing of the appliance. If the intake liner is routed vertically along the side of the appliance then a spacing of 7" (178mm) is required.



2 layers of 1/2" (13mm) cement board needed to fill gap A.

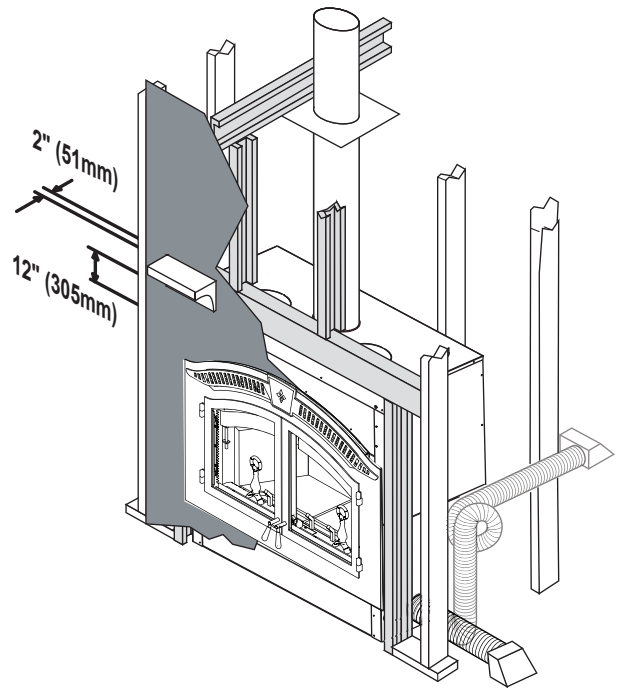
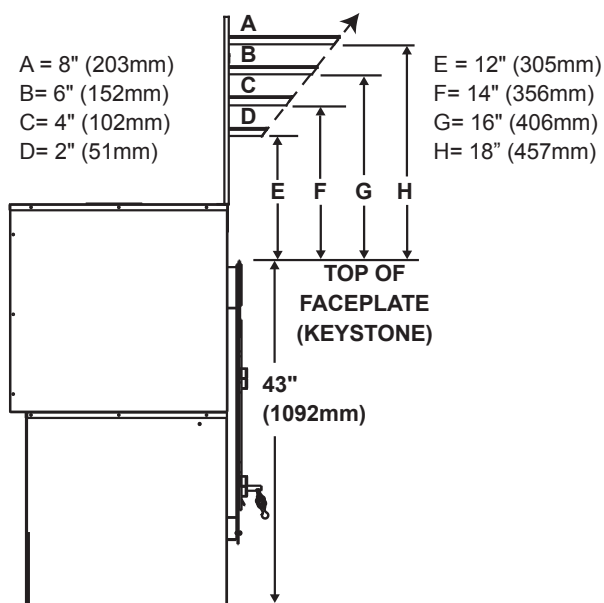
When framing in appliance, allow for finishing material thickness.

6.5 minimum mantel clearances

! WARNING

- Risk of fire!
- Maintain all specified air space clearances to combustibles. Failure to comply with these instructions may cause a fire or cause the appliance to overheat. Ensure all clearances (i.e. back, side, top, vent, mantel, front, etc.) are clearly maintained.
- When using paint or lacquer to finish the mantel, the paint or lacquer must be heat resistant to prevent discolouration.

An optional combustible mantel must be a minimum of 12" (30.5cm) above the top of the faceplate and not to extend more than 2" (51mm) from the surface. See chart below for further information.

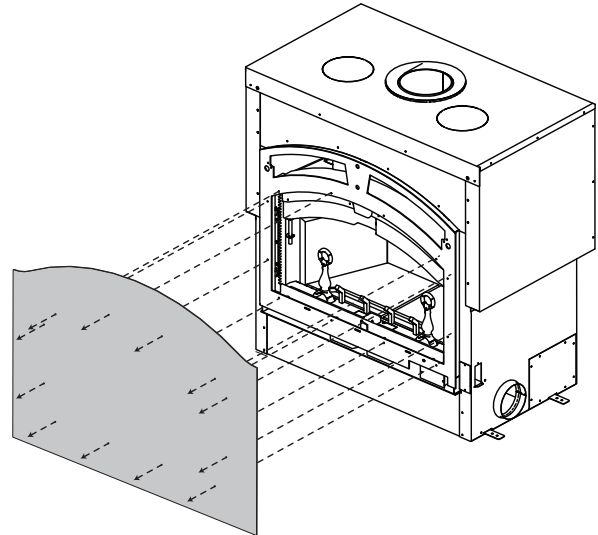


WARNING

- Use only a non-combustible material to finish the face of the appliance. A non-combustible material such as cement board is required for this purpose.
- Ventilation openings are required in enclosures up to 96" (243.8cm) high. They are recommended for all enclosures.
- Above 84" (213.4cm), combustible finishing materials may be used on the front face.
- Do not insulate around the appliance.

7.1 faceplate

- Remove the facing template held in place with the 12 screws shown.
- Discard the screws and template.

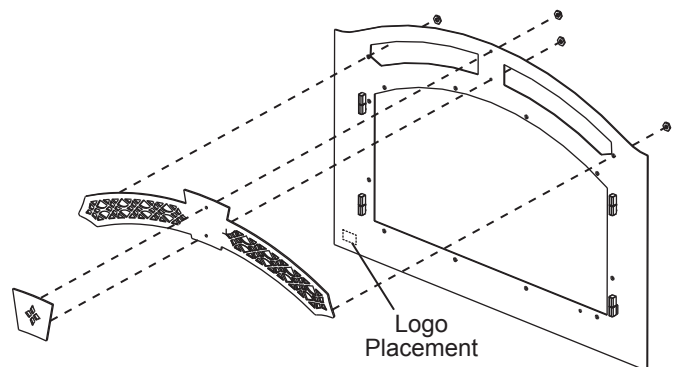


7.2 upper grill installation

- Mount the keystone and upper grill to the faceplate as shown, using the 4 nuts supplied.
- Remove the backing and place logo onto the bottom left corner of the faceplate.

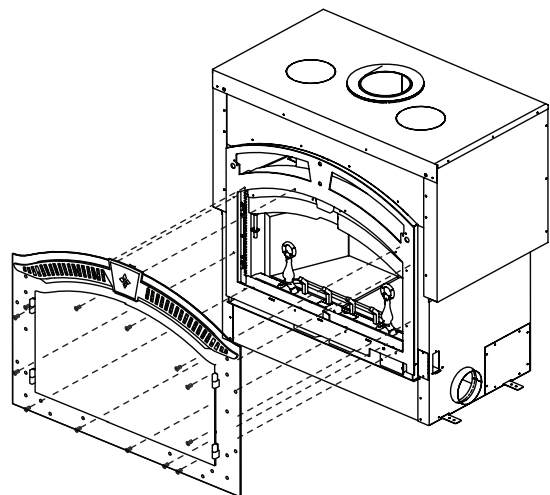
tip:

Record your serial number in the manual for quick future reference.



7.3 keystone installation

- Secure the faceplate to the appliance, using the 12 screws supplied.
- Start all 12 screws, then tighten evenly.



7.4 door handle installation

RIGHT DOOR HANDLE (OPERATING)

- A. Insert the door rod through the round hole of the latch, ensuring the flat edge of the D-shaped hole points towards the hinges.
- B. Slide the end of the door rod through the bushing at the top of the door, as shown.
- C. Insert the handle shaft through the door and latch.
- D. Secure with 2 flat washers and a nut.
- E. Feed the handle through the handle spacer and into the handle shaft.

note:

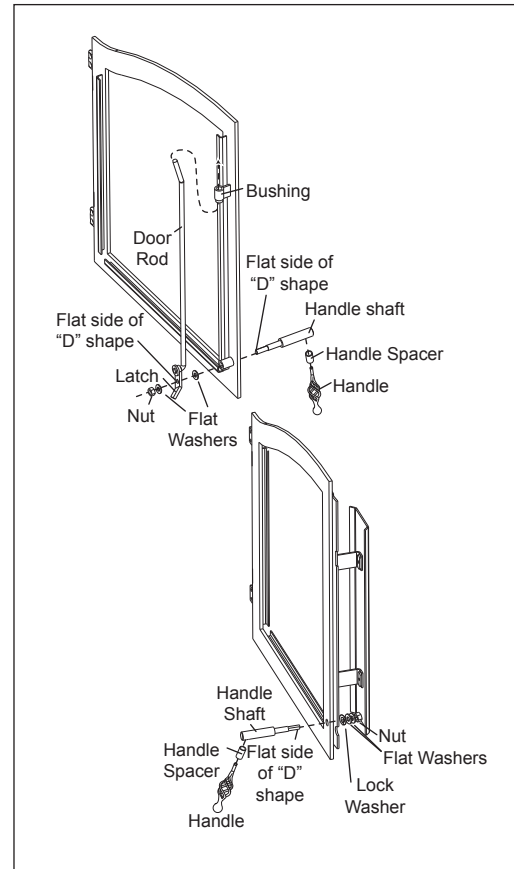
You may need to move washers to the other side of the latch to obtain sufficient door seal.

LEFT DOOR HANDLE (FIXED)

- A. Insert the handle shaft through the door.
- B. Secure with a lock washer, 2 flat washers, and a nut.
- C. Feed the handle through the handle spacer and into the handle shaft.

note:

The final angle of the left door handle should mirror the right door handle in the closed position. Tighten the nut to secure the left handle at the desired angle.



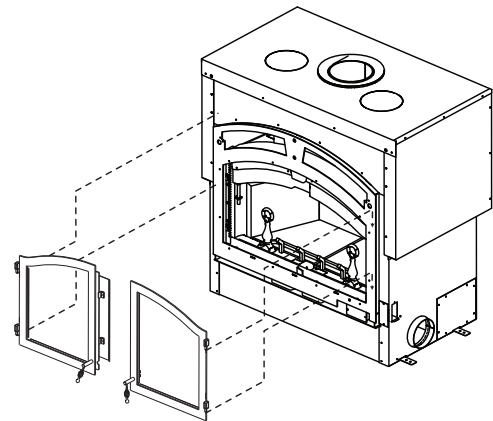
7.5 door installation

- A. Place brass washers onto the faceplate hinge bushing.

note:

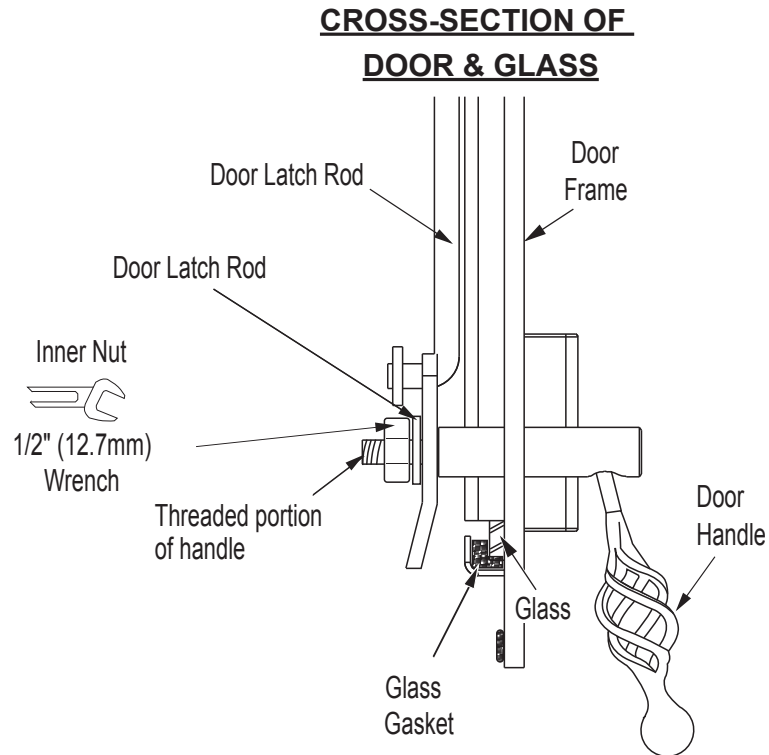
2 extra washers are supplied in order to level the doors if needed.

- B. Slide the door hinge pin into the faceplate hinge bushing.
- C. To remove the doors, open them slightly and lift them out of the faceplate hinge bushings.



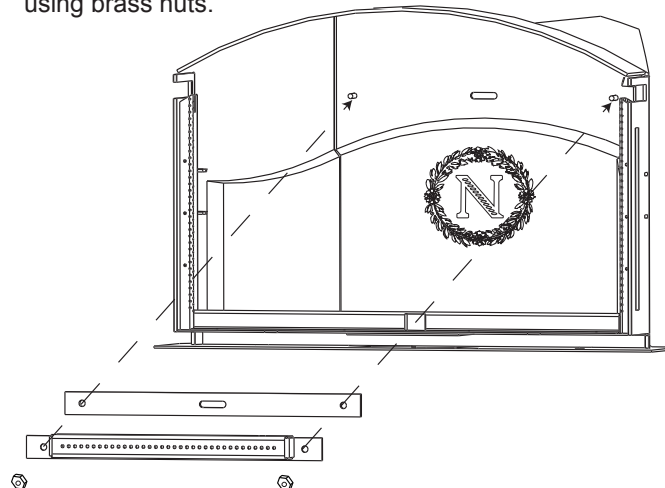
7.6 door latch installation

The door latch is adjusted by moving the washer from one side of the latch to the other. Tighten the outer nut to secure the latch.



7.7 secondary air tube removal / installation

Place the gasket and the secondary air tube W010-1594 against the rear of the firebox onto the studs and secure using brass nuts.



7.8 firebrick and baffle installation

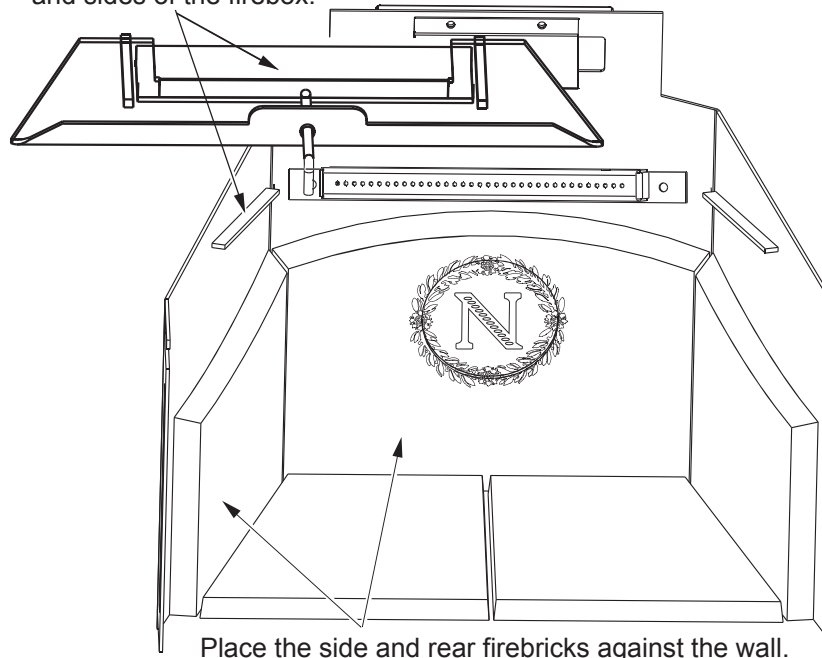
! WARNING

- Operation of the appliance without the baffles can result in excessive temperatures that could damage the appliance, chimney, and the surrounding enclosure.

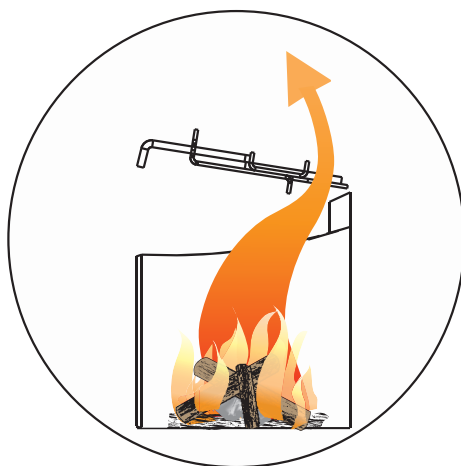
The by-pass damper should be in the "OPEN" position when using the spark screen, during start-up, when loading fuel and in warmer months where less heat is preferred.

The by-pass damper should be in the "CLOSED" position when the doors are closed and proper chimney draw is established.

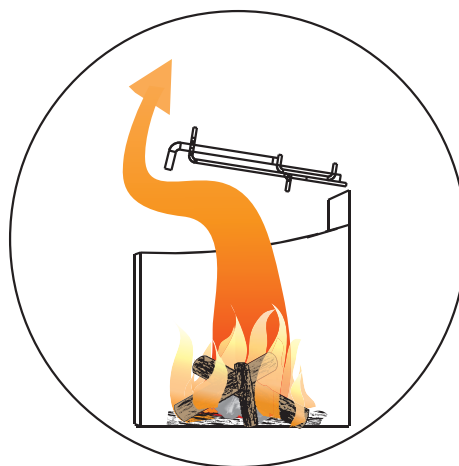
Place the by-pass damper on the supports at the rear and sides of the firebox.



For easy start up open the by-pass damper.



SIDE VIEW
BY-PASS IN "OPEN" POSITION



SIDE VIEW
BY-PASS IN "CLOSED" POSITION

7.9 optional NZ64 blower installation

! WARNING

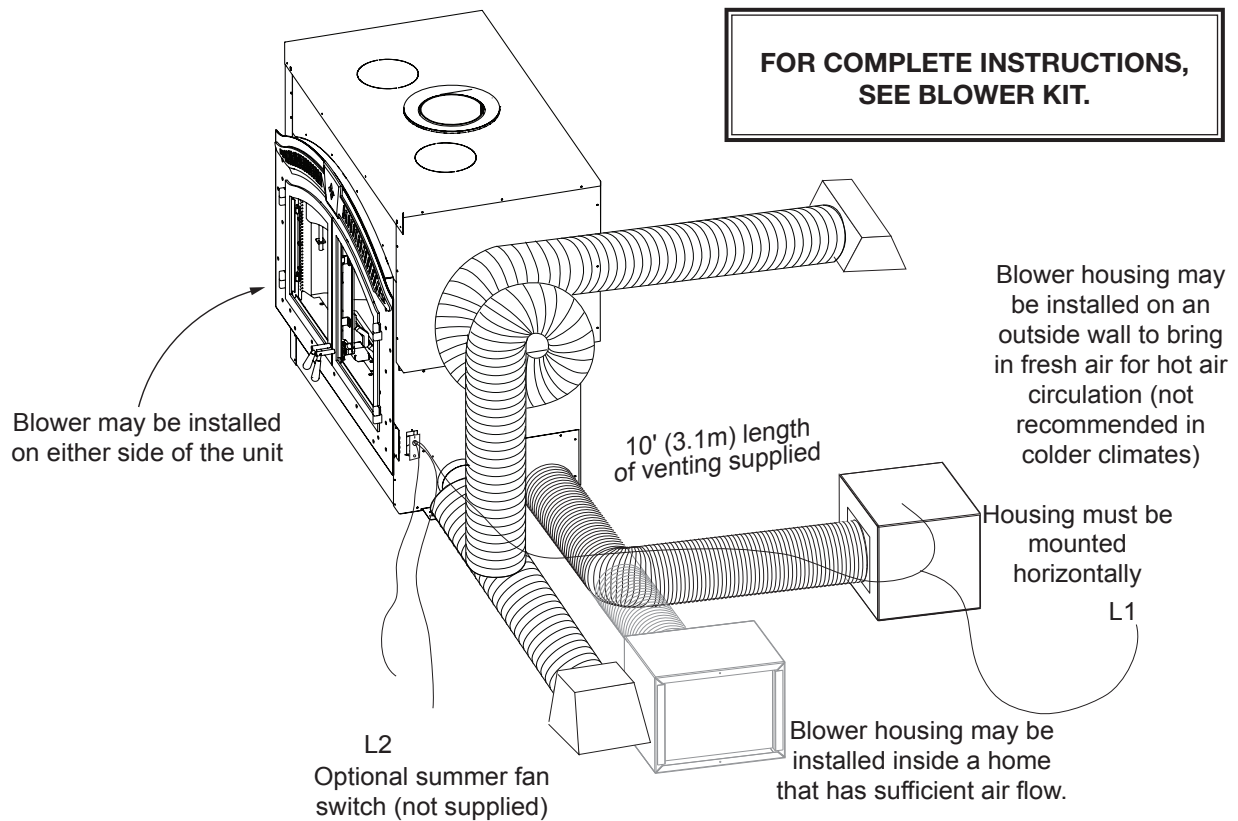
- All wiring should be done by a qualified electrician and shall be in compliance with local codes and with the National Electric Code ANSI/NF No. 70-Current (in the United States), or with the current CSC22.1 Canadian Electric Code (in Canada).

note:

Consideration should be made for blower location as the closer to the appliance, the greater the air flow noise will be. Blower may be installed on either side of the appliance.

Route a 120 Volt, 60Hz electrical supply (not supplied) from the electrical box on the side of the appliance to the electrical box on the blower housing.

The appliance comes complete with a safety switch and a thermally activated switch.

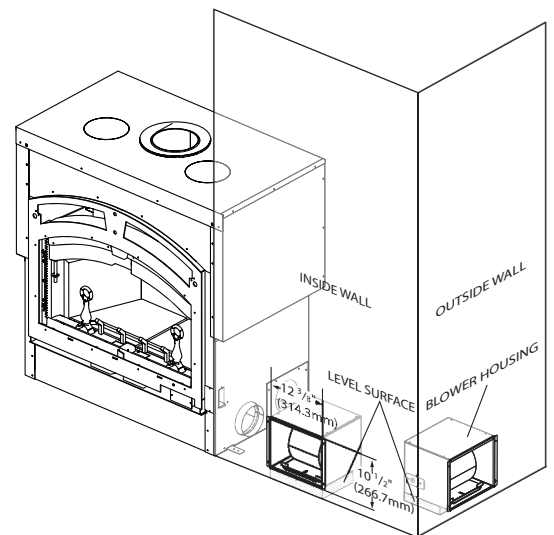


- Remove the template.
- Position the blower to an inside or outside wall into a framed opening $12 \frac{3}{8}$ " (314mm) wide by $10 \frac{1}{2}$ " (267mm) high. (Outside wall not recommended in colder climates as cold air may be drawn into the house when the appliance is off.)

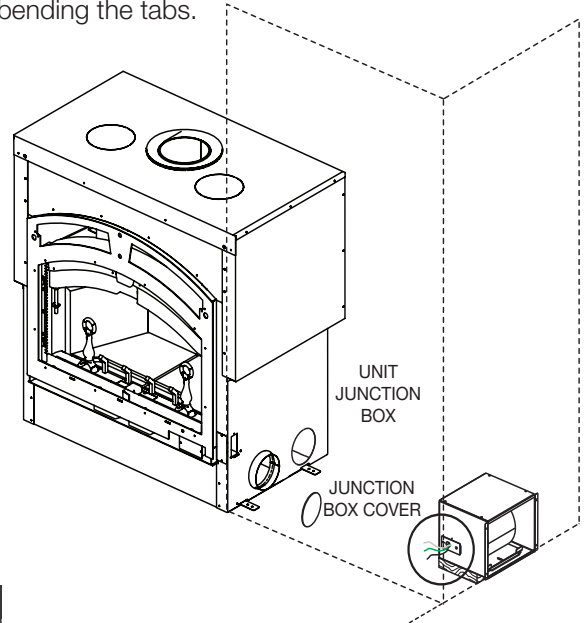
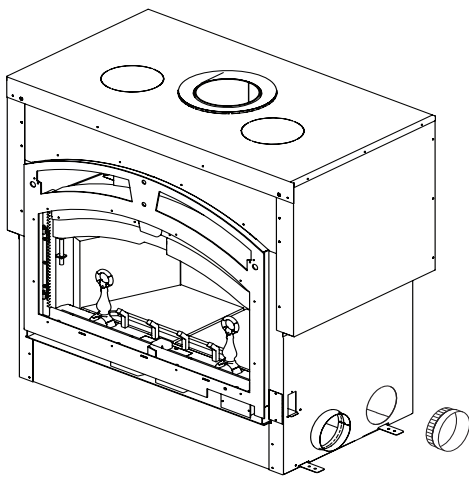
note:

The blower housing should be installed onto a level surface large enough to support the blower assembly.

Allow for finishing material when securing the blower housing, as the grill mounts to the housing.



- C. Connect the 6" (152.4mm) collar to the blower opening located on the side of the appliance. An optional opening is covered on the other side of the appliance. If this location is preferred, switch the cover plate and collar. Secure by reaching through the collar and bending the tabs. Use sealant to ensure that the connection is air tight.

**note:**

We recommend installing the blower in a different room or even different level of the house. This will generate great air movement and improve the distribution of the warm air coming from the appliance.

D. Electrical Connection

I. Remove the junction box covers on the appliance and the blower.

II. Removing the junction box cover on the **appliance** exposes 4 black, labeled wires:

- 2 wires labelled "by-pass": go to by-pass (summer) switch (not supplied - overrides the thermally activated switch enabling the user to run the blower without heat).

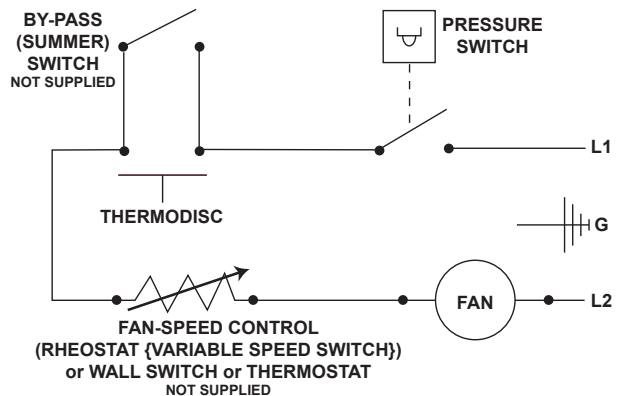
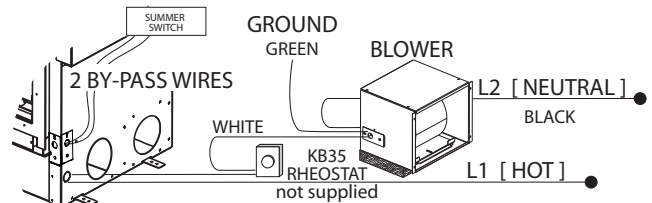
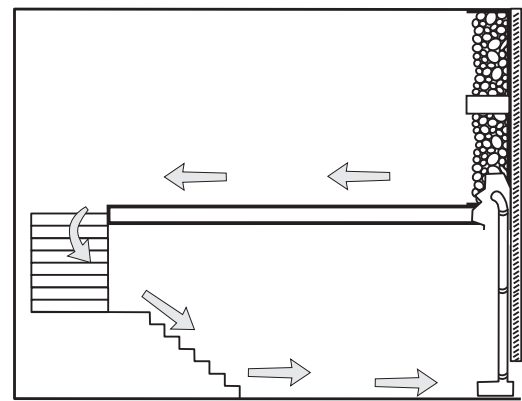
important:

Marrett by-pass (summer) switch wire leads separately (do not connect together) if the by-pass switch is not desired.

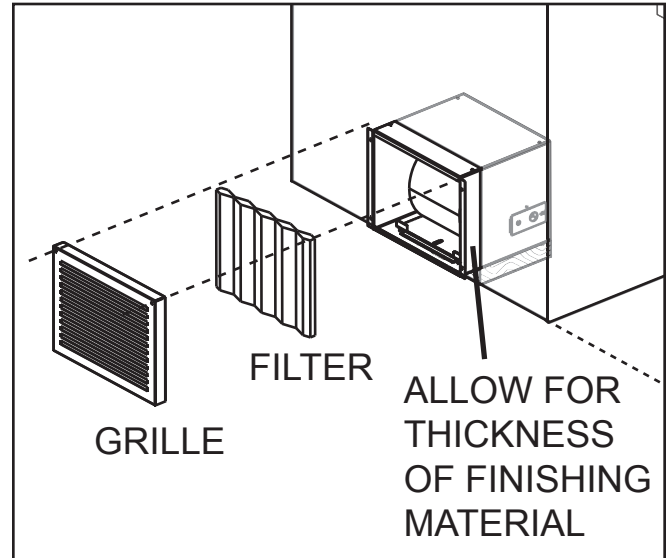
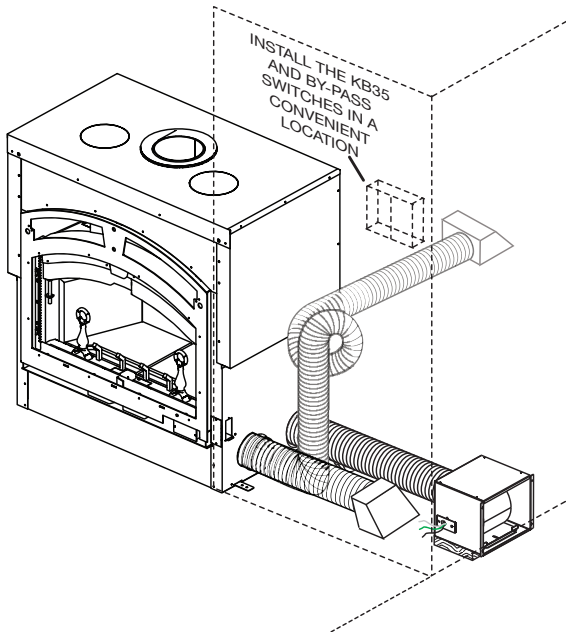
- 1 wire labelled "blower": connects to KB-35 rheostat (not supplied) and then fan-speed control blower wire connects to white blower wire.
- 1 wire labelled "L1": connects to power (hot lead).

III. Removing the junction box cover on the **blower** exposes 3 coloured wires:

- 1 black wire: connects to power "L2" (neutral lead).
- 1 green wire: connects to ground.
- 1 white wire: connects to fan-speed control rheostat (not supplied) (see above).



- E. Connect the 6" (152mm) liner to the appliance and blower collars. Secure using 3 screws on each end and seal with caulking.
Liner supplied stretches to a maximum of 10' (3.1m).
- F. Insert the filter into the grill. Foam gasket [$\frac{1}{2}$ " (13mm) weather stripping] between the grill and blower housing is recommended, but not supplied.
The blower filter is washable.
- G. The bottom lip of the grill latches over the bottom lip of the housing. Use 2 screws to secure the top of the grill to the facing.



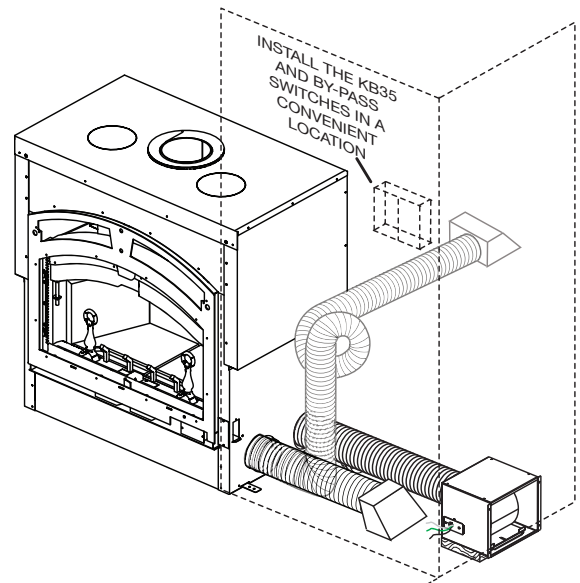
7.10 NZ150-KT kit

The circulation air inlet pipe must terminate outside of the appliance enclosure to ensure proper air flow around the firebox.

The 6" (152mm) circulation air inlet pipe may be connected to either the NZ64 blower kit or the NZ150-KT kit.

Avoid terminating higher than the bottom of the doors on the appliance to prevent air flow reversal.

An optional opening is covered on the other side of the appliance. If this location is preferred, switch the cover plate and collar.



7.11 NSK6 optional screen kit

Use the screen when you are in the room to enjoy the ambience of an open, wood crackling fire.

Medium sized wood loads should be used to prevent logs from rolling against the screen.

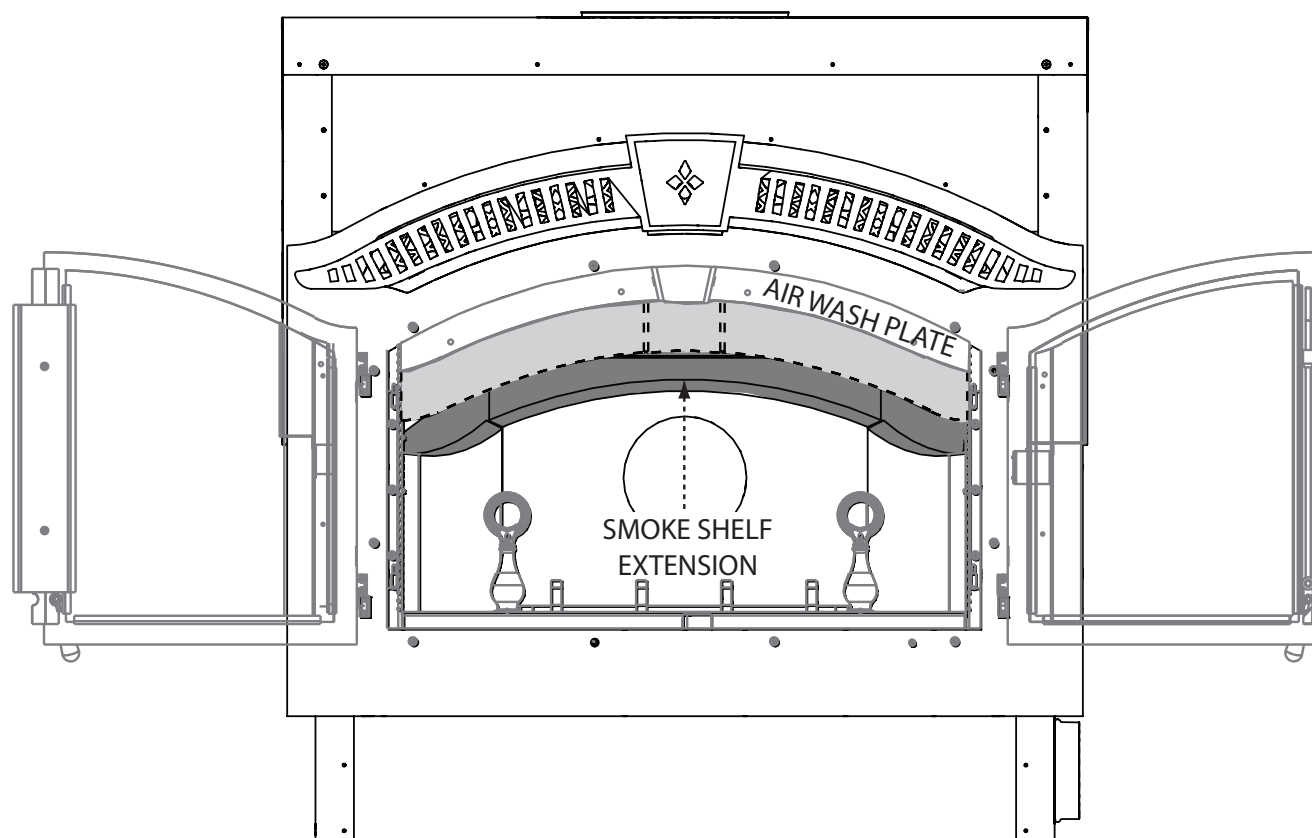
Chimney action may not allow the screen to be used in some installations due to the resulting smoke spillage. Opening the by-pass damper may help prevent smoke spillage. Wood will burn at a faster rate and heat output will be less with the screen compared to the stove operation with the glass doors closed.

7.12 smoke shelf

To reduce smoke spillage due to a poor chimney draft, the NZ6000-1 can be equipped with a smoke shelf extension.

note:

The smoke shelf is only used when burning with the door open to prevent smoke spillage back into the room.



! WARNING

- This appliance is designed to burn natural wood only. Do not burn treated wood, coal, charcoal, coloured paper, cardboard, solvents or garbage. This appliance has not been tested with an unvented gas log set. To reduce risk of fire or injury, do not install an unvented gas log set into the appliance.
- Higher efficiencies and lower emissions generally result when burning air dried seasoned hardwoods, as compared to softwoods or too green or freshly cut hardwoods.
- Burning wet unseasoned wood can cause excessive creosote accumulation. When ignited, it can cause a chimney fire that may result in a serious house fire.
- Do not store fuel within the clearance to combustibles, or in the space required for re-fueling and ash removal.

Before loading the appliance, ensure all required insulation and baffles (if equipped) are installed and situated properly. For maximum efficiency, when the appliance is thoroughly hot, load it fully to the specified maximum amount and burn at a medium low setting (if equipped). The whiteness of the bricks and the cleanliness of the glass are good indicators of your operating efficiency. Not enough heat is produced when only a few pieces of wood are burned or the wood may not burn completely.

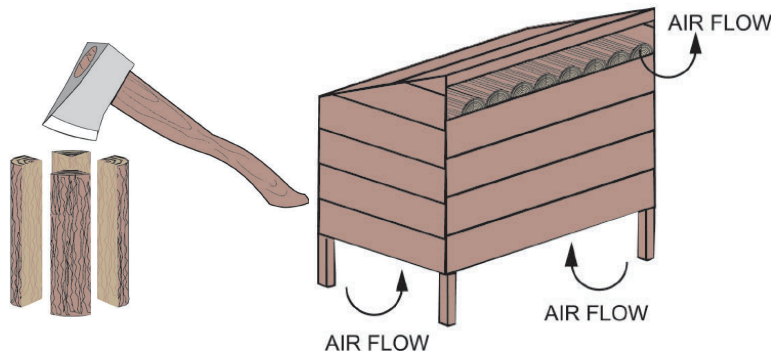
note:

Appliances surrounded by solid rock or brick will experience a longer heat up period as those materials absorb the heat being generated.

TYPES OF WOOD

Both hardwood and softwood burn equally well in this appliance but hardwood is denser, will weigh more per cord and burn a little slower and longer.

Manufactured firelogs made by compressing 100% natural wood fibre can be safely used as fuel. Do not use manufactured firelogs if they contain additives such as paraffin, wax, binders etc. Never burn more than two manufactured firelogs at a time.



MOISTURE CONTENT

Burn only dry, clean unpainted wood that has been seasoned. It produces more heat and less soot or creosote. Freshly cut wood contains about 50% moisture while after proper seasoning only about 20% of the water remains. As wood is burned, this water boils off consuming energy that should be used in heating. The wetter the wood, the less heat is given off and the more creosote is produced. Dry firewood has cracks in the end of the grain.

STORING WOOD

Firewood should be split and stacked in a manner that allows for full air circulation and covered in early spring to be ready for burning that fall. Dry firewood has cracks in the end grain.

Cut the wood so that it will fit horizontally, front to back, making for easier loading and less of a likelihood that the wood will roll onto the glass.

Fuel for the appliance must not be stored closer than the required clearances to combustibles (heat sensitive material). **NEVER STORE WOOD IN THE ASH PAN COMPARTMENT (if applicable).**

9.0 operation

Expansion / contraction noises during heating up and cooling down cycles are normal and to be expected.

TIPS FOR BURNING:

- Create a large fire to heat up the appliance before closing bypass door and adjusting to a slower burn.
- To create a large, quick burning fire, use small pieces of wood.
- For a lower, but, extended burn, stack larger pieces of wood close together.
- For long burns, leave a 1" (25mm) - 2" (51mm) bed of ashes.
- Burn dry wood only.
- With the exception of overnight burns, create large, quick burning fires whenever possible. Smaller, slow burning fires using large logs will cause the glass to become dirty. Larger, quick burning fires using medium sized wood to refuel frequently are much more efficient.
- It is important to minimize visible smoke emitting from the chimney. Burning seasoned firewood, maintaining the appliance catalyst and following the operating instructions contained within this manual will ensure that visible smoke emissions are minimized.

DO'S

- Verify with a moisture meter that wood contains no more than 20% moisture content.
- Burn several pieces of medium sized wood as they are better than a few big pieces.
- Clean chimney regularly.
- Refuel frequently using medium sized wood.
- "Fine tune" the air settings (if applicable) for optimum performance.

DONT'S

- Take ash out immediately. Let it accumulate to a depth of at least one inch. A good ash layer provides for a longer lasting and better burning fire.
- Burn wet wood with more than 20% moisture content.
- Close the door too soon or damper down too quickly.
- Burn one large log rather than two or three smaller sized logs.
- Burn at continually "low setting" (if applicable), if glass door is constantly blackened. This means the firebox temperature is too low.

9.1 operating sounds and smells

If a blower is installed, slight humming sound may be heard depending on the location of the blower. The sound may be minimized by turning down the blower speed. It is also normal during operation to hear creaking and/or ticking sounds as the metal plate components of the appliance expand and contract. This may be present during both warm up and cool down periods.

During the break-in period (the first 2 or 3 fires) create only small, hot fires using kindling. This will allow the firebrick to cure. Do not be alarmed if small hairline cracks develop in the firebrick. This is a normal occurrence and does not pose a safety hazard. During this time the paint may also emit an odour as it cures and you may wish to open a door or window to alleviate the smell.

There are many different ways to start a fire, review the hints and warnings in this section to ensure the fire is started properly.

9.2 fire extinguishers, smoke detectors and carbon monoxide detectors

WARNING

- This appliance emits carbon monoxide (CO), a colourless and odourless gas that can lead to severe illness and even death if exposed to human or animals in sufficient quantities.
- The use of this appliance in a manner inconsistent with the operating instructions contained in this manual can significantly increase the emission of smoke and carbon monoxide (CO). Therefore, we recommend you install detectors in areas that could be susceptible to carbon monoxide (CO).

All homes with a solid fuel burning appliance should have at least one fire extinguisher in a central location, known to all, at least one smoke detector and carbon monoxide (CO) detector in the room containing the appliance. If the smoke detector sounds an alarm, correct the cause but do not deactivate or relocate the smoke detector. If the carbon monoxide detector sounds an alarm, immediately vent the area, evacuate and call your local fire department.

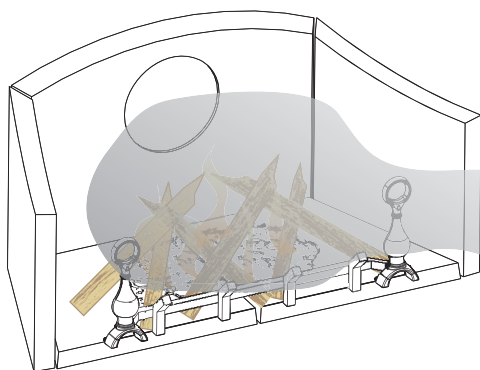
9.3 establishing draft

! WARNING

- Always operate this appliance with the door closed and latched except during start-up and re-fueling.

note:

Remove all sources of gasoline or other flammable vapours and liquids in the vicinity of this or other appliances prior to lighting.



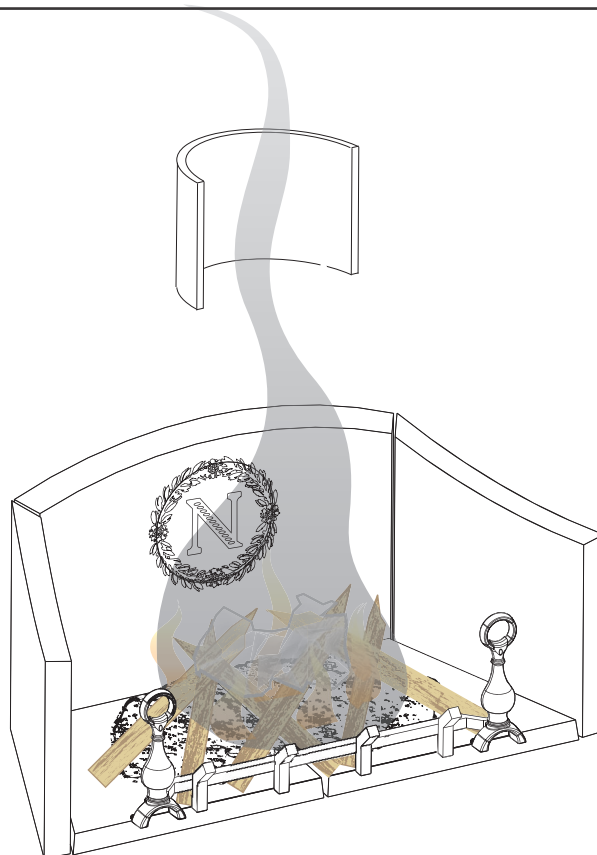
To reduce smoking when starting the appliance, roll up some newspaper, place it near the appliance flue and light it until chimney begins to draw.

When a fire has been established and it is necessary to reload or adjust the fuel, open the doors slowly to avoid drawing smoke into the room.

A properly installed Napoleon appliance should not smoke.

If yours does, check the following:

- Has the chimney had time to get hot?
- Are the air intake hoods blocked or closed?
- Is the smoke passage blocked anywhere in the appliance or chimney?
- Is the smoke flow impeded by too long a horizontal pipe or too many bends?
- Is it a weak draft perhaps caused by a leaky chimney, a cold outside chimney, too short a chimney, or a chimney too close to trees or a higher roof?



9.4 fuel loading and burn cycle

! WARNING

- Burn wood behind the log retainer directly on the firebricks. Do not use elevated grate or otherwise raise the fire.
- Do not store wood within appliance installation clearances or within the space required for re-fueling and ash removal.
- Burning wet, unseasoned wood can cause excessive creosote accumulation, which, when ignited, can cause a chimney fire that may result in a serious house fire.
- It is recommended to use heat-resistant gloves and/or metal log tongs when reloading this appliance.

When operating the appliance efficiently, the bricks will be nearly all white and the glass mostly clear. The whiteness of the bricks and the cleanness of the glass are good indicators of your operating efficiency.

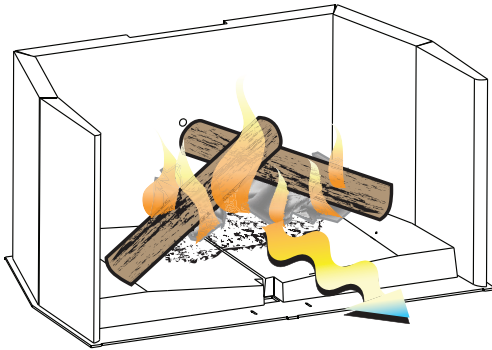
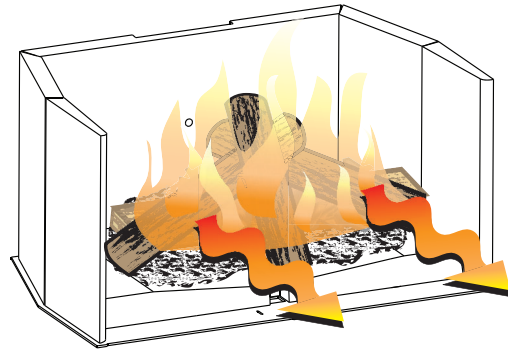
Not enough heat is produced when only one or two pieces of wood are burned.

A minimum of three pieces are needed to encase a bed of coals that sustains the fire. Loosely stacked wood burns quicker than a tightly packed load.

A flash fire is a small fire burned quickly when you don't need much heat. After your kindling has "caught", load at least 3 pieces of wood, stacked loosely. Burn with the draft control fully open or closed only slightly.

Wood burns in cycles rather than giving a steady output of heat. It is best to plan these cycles around your household routine so that only enough coals are left to start the next load.

Burn only dry seasoned wood. It produces more heat and less soot or creosote. Do not burn ocean beach wood, as its salt content can be corrosive to metal.

**INSUFFICIENT FIREWOOD****SUFFICIENT FIREWOOD**

When refuelling, open the door slowly to prevent smoke spillage. Use a pair of long appliance gloves when feeding the fire. Keep a small steel shovel nearby to use as a poker and to remove ashes. Do not store wood within 4 feet (1.2m) of the appliance.

Follow the directions below to minimize smoke spillage while re-loading the appliance.

- Open the door(s) slightly. Allow the airflow inside the firebox to stabilize before opening the door(s) fully.
- Load wood and close doors, leaving slightly ajar.
- After 5 to 10 minutes, close the door(s) completely.

note:

Differences in chimney height and draft may lower overall burn times.

DO NOT OVERFIRE THE APPLIANCE! Overfiring occurs by burning large amounts of smaller wood pieces or vigorously burning large loads of wood for long periods of time (more than one or two hours). Over-firing can lead to fire hazards and/or injuries.

9.5 starting the fire

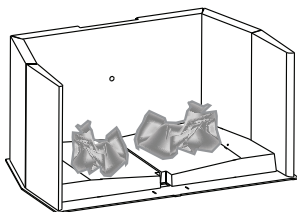
! WARNING

- Always operate this appliance with the door closed and latched except during start up and re-fueling or unless otherwise noted with compatible Wolf Steel approved accessories. Burning your appliance with the doors open or ajar creates a fire hazard that may result in a house and/or chimney fire. Always wear gloves to prevent injury. Do not leave the fire unattended when the door is unlatched or when using a spark screen as unstable wood could fall out of the fire chamber creating a fire hazard to your home.
- Never leave children unattended when there is a fire burning in the appliance.
- Never use gasoline-type lantern fuel, kerosene, charcoal lighter fluid, or similar liquids to start or “freshen up” a fire in this appliance. Keep all such liquids well away from the appliance.
- This appliance has not been tested with any vented or unvented gas log set. To reduce risk of fire or injury, do not install a vented or unvented gas log set into this appliance.

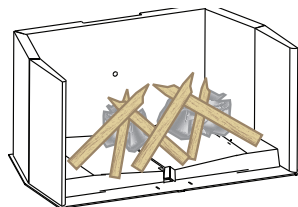
Remove all source of gasoline or other flammable vapours and liquids in the vicinity of this or other appliances prior to lighting.

Use plenty of newspaper and kindling to ensure the appliance quickly reaches a proper temperature. Once the kindling is burning rapidly, place a few larger pieces of wood onto the fire.

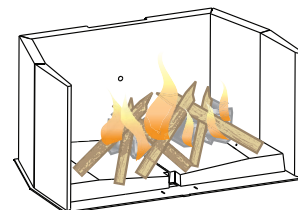
Tip: When first lighting a fire, if the smoke is not quickly drawn into the chimney, there may be a downdraft or cold air in the chimney. By first burning large amounts of crumpled newspaper, the chimney will get heated and the smoke will quickly vent up the chimney.



- A.** To start, a brisk fire is required. Roll up some newspaper (loosely crumpled), light it and place it near the appliance flue until the chimney begins to draw.



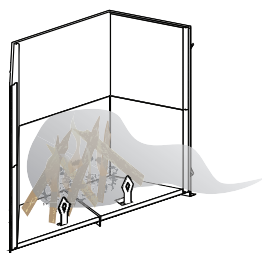
- B.** Cover with dry kindling.

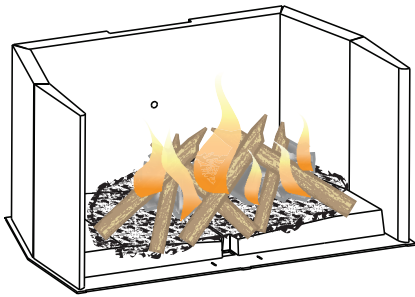


- C.** Light the paper and leave the door slightly ajar (one to two inches) until all kindling is burning.

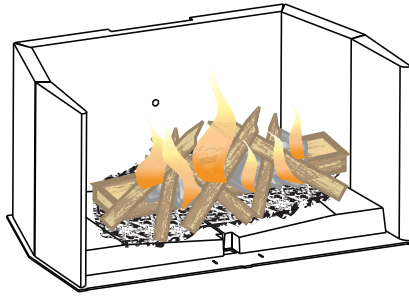
Draft is the force which moves air from the appliance up through the chimney. The amount of draft in your chimney depends on the length of the chimney, local geography, nearby obstructions and other forces.

Inadequate draft may cause back-puffing into the room and may cause plugging of the chimney. Too much draft may cause an excessive temperature in the appliance, glowing red appliance parts or an uncontrollable burn which can all lead to a chimney fire or a permanent damage to the appliance.

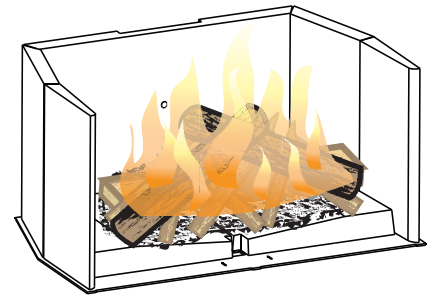




D. To maintain a brisk fire, a hot coal bed must be established and maintained.



E. Slowly add larger wood (2x4 size pieces). Lay the pieces lengthwise from side to side in the hot coal bed with a shallow trench between, so that the primary air can flow directly into this trench and ignite the fuel above.



F. When the fire seems to be at its peak, medium sized logs may be added. Once these logs have caught fire, carefully close the doors.

When a fire is burning, open the doors slowly to avoid drawing smoke into the room.

Closing the doors too quickly after refuelling will reduce the firebox temperature and may result in an unsatisfactory burn.

G. As soon as the doors are closed, you will observe a change in the flame pattern. The flames will get smaller and lazier because less oxygen is getting into the combustion chamber. The flames, however, are more efficient. The flames will remain lazy but become larger again as soon as the firebricks have been heated thoroughly and the chimney becomes heated and provides a good draft.

H. With the doors opened, the fire is wastefully drawing heated room air up the chimney which is certainly not desirable. Always operate with the doors fully closed once the medium sized logs have caught fire.

You can now add larger pieces of wood and operate the appliance normally. Once the appliance is entirely hot, it will burn very efficiently with little smoke from the chimney. There will be a bed of hot coals in the firebox so you can safely fill the firebox with wood to the top of the andirons.

Can't get the appliance operating? Use more kindling and paper.

Assuming the chimney and vent are sized correctly and there is sufficient combustion air, the lack of sufficiently dry quantities of small kindling is the problem. Thumb size is a good gauge for small kindling diameter.

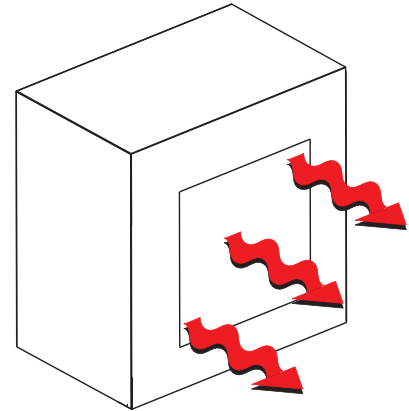
Can't get heat out of the appliance? One of two things may have happened. The appliance door may have been closed prematurely and the appliance itself has not reached optimum temperature. Re-open the door and/or draft control to re-establish a brisk fire. The other problem may have been wet wood. The typical symptom is sizzling wood and moisture being driven from the wood.

The only accurate way to determine wood moisture is with a moisture meter. Contact your local dealer for more information.

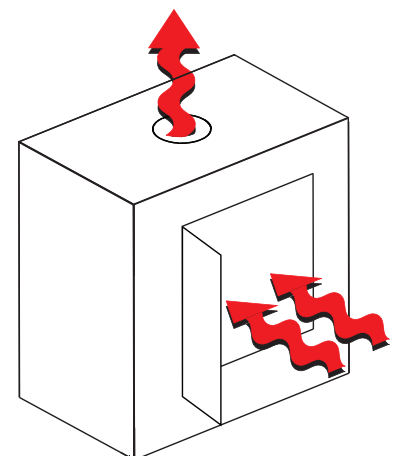
note:

Appliances surrounded by solid rock or brick will experience a longer heat up period as those materials absorb the heat being generated.

OPERATING WITH DOOR CLOSED



OPERATING WITH DOOR OPEN



9.6 smoking

A properly installed appliance should not smoke. If yours does, check the following:

- Has the chimney had time to get hot?
- Is the smoke passage blocked anywhere in the appliance, chimney connector or chimney?
- Is the room too airtight and the air intake not connected to the outside? Try with a window partly open.
- Is the smoke flow impeded by too long a horizontal pipe or too many bends?
- Is it a weak draft perhaps caused by a leaky chimney, a cold outside chimney, too large a diameter of a chimney, too short a chimney, or a chimney too close to trees or a higher roof?
- Is the moisture content of the wood greater than 20%?
- If equipped, has the catalyst bypass been closed or closed prematurely?

10.0 maintenance

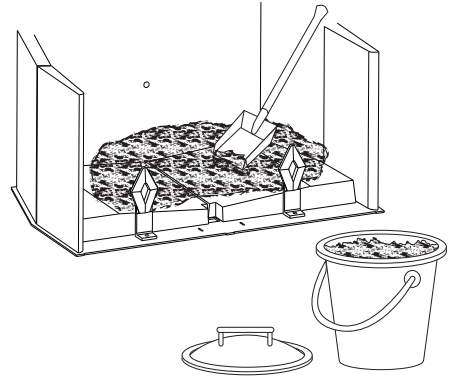
10.1 ash removal procedures

! WARNING

- Improper disposal of ashes results in fires. Do not discard ashes in cardboard boxes, dump in back yards, or store in garages.
- If using a vacuum to clean up ashes, be sure the ashes are entirely cooled. Using a vacuum to clean up warm ashes could cause a fire inside the vacuum.

A bed of ashes approximately 1" (25mm) deep should be left on the firebox bottom to help maintain a hot charcoal bed. When the fire has burned down and cooled, remove any excess ashes. To remove the ash, follow the directions below.

- After the last coal has extinguished, let the appliance cool at least two hours.
- Open the appliance doors.
- Scoop the ash from the firebox into a metal container with a lid. Cover the container and move the container away from the appliance onto a suitable surface to ensure the ashes cool.
- Dispose of the ashes.



note:

Ashes should be placed in a metal container with a tight-fitting lid. The closed container of ashes should be placed on a non-combustible floor or on the ground, well away from all combustible materials, pending final disposal. If the ashes are disposed of by burial, in soil, or otherwise locally dispersed, they should be retained in the closed container until all cinders have thoroughly cooled.

10.2 creosote formation and removal

When wood is burned slowly, it produces tar and other organic vapors, which combine with expelled moisture to form creosote. The creosote vapors condense in the relatively cooler chimney flue or a slow-burning fire. As a result, creosote residue accumulates on the flue lining. When ignited, this creosote makes an extremely hot fire.

The chimney connector and chimney should be inspected at least once every two months during the heating season to determine if a creosote buildup has occurred.

If creosote has accumulated, it should be removed to reduce the risk of a chimney fire.

10.3 run-away or chimney fire

WARNING

- A chimney fire can permanently damage your chimney system. This damage can only be repaired by replacing the damaged component parts. Chimney fires are not covered by the lifetime limited warranty.

CAUSES:

- Using incorrect fuel, or small fuel pieces which would normally be used as kindling.
- Creosote build up in chimney.
- Leaving the door ajar too long and creating extreme temperatures as the air rushes in the open door.
- If equipped, burning your appliance with the ash plug not securely seated.

SOLUTIONS:

- Do not burn treated, painted, artificial, paper or processed wood logs, coal, charcoal, coloured paper or cardboard.
- Have chimney regularly cleaned.
- Be careful not to over-fire the appliance by leaving the door open too long after initial start-up. A thermometer on the chimney connector and/or appliance top helps to indicate the appliance operating temperature.
- If equipped, always operate the appliance with the ash plug properly installed.

IN CASE OF A CHIMNEY FIRE:

- Close glass door and air control (and damper, when equipped).
- Have a well understood plan for evacuation and a place outside for everyone to meet. Prepare to evacuate to ensure everyone's safety.
- Call local fire department. Have a fire extinguisher handy. Contact local authorities for further information on how to handle a chimney fire.
- After the chimney fire is out, clean and inspect the chimney or chimney liner for stress and cracks prior to lighting another fire. Also check combustibles around the chimney and the roof.

10.4 chimney cleaning

Both the chimney and the appliance must be inspected and cleaned if necessary at least once a year. For serious wood burners, chimney cleaning must be done as needed to avoid chimney fires; the venting systems for controlled combustion appliances may need cleaning as often as once a month. These rates, however, depend on the burning habits of the individual operating the appliance. For example, it is possible to clog a solid fuel appliance chimney in a few days if slow, smoldering fires are burned and the chimney is cold.

note:

Appliances burned consistently without hot fires may result in significant creosote accumulations in the chimney.

Certain items and considerations are important in chimney cleaning:

- Proper tools should be used, including a brush specifically designed for chimney cleaning.
- The chimney connector and dampers as well as the chimney should be cleaned.
- The appliance's firebox and baffle system should be cleaned if needed.
- The chimney should be inspected and repairs made if needed, preferably by a qualified chimney sweep or mason.

For more information on the inspection, maintenance, or cleaning of the chimney, including method of access through the top of the chimney, refer to the chimney manufacturer's instructions.

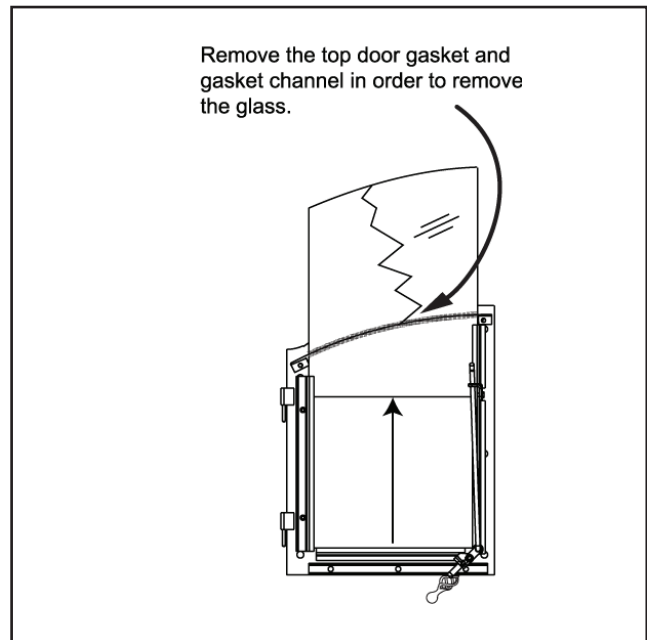
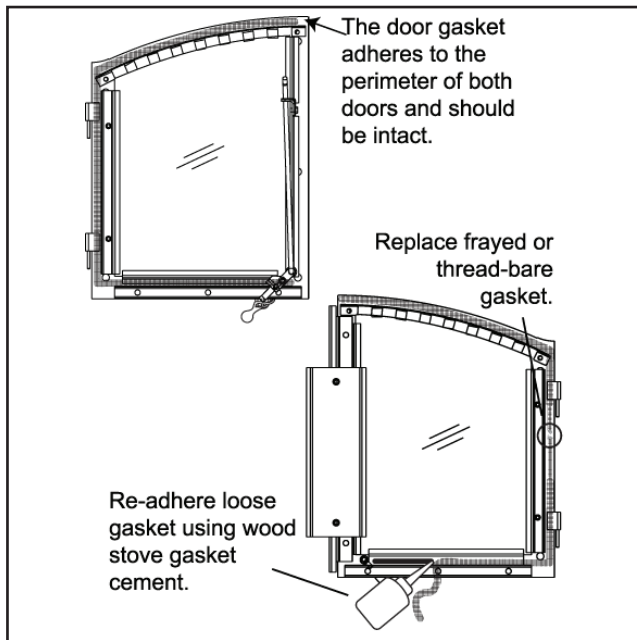
10.5 glass and gasket replacement

! WARNING

- Make sure that the glass and gasket are fully installed down into the glass retainer. If the glass protrudes too far out of the retainer, the glass will shatter when the door is closed.

At the end of each burning season inspect the door gasket ensuring that it is not worn or loose. Replace with proper fiberglass rope. The purpose of door gasketing is to seal the firebox. If the doors are not sealed, air leaks into the firebox, creating a quick burning fire. This situation is not desirable for overnight or extended burns.

Replace cracked or broken glass immediately. When re-installing the glass, be sure that the glass and gasket create a solid seal around door frame. Follow the instructions below for glass removal. You may require a flat tool to gently press the gasket between the glass and the door.



10.6 care of glass

! WARNING

- Do not clean glass when hot! Do not use abrasive cleaners to clean glass.

If the glass is not kept clean, permanent discoloration and/or blemishes may result. Normally a hot fire will clean the glass. The most common reasons for dirty glass include:

- Not using sufficient fuel to get the appliance thoroughly hot.
- Using green or wet wood.
- Closing the draft so far that there is insufficient air for complete combustion.

If it is necessary to clean the glass, buff lightly with a clean dry cloth and non-abrasive cleaner. Clean the glass after the first 10 hours of operation with a recommended appliance glass cleaner. Thereafter, clean as required.

The glass is very strong, but do not let burning fuel rest or fall against it and always close the door gently.

NEVER FORCE OR SLAM IT SHUT!

Do not operate the appliance with broken glass, as leakage of flue gases may result.

Contact your local authorized dealer/distributor for complete cleaning instructions.

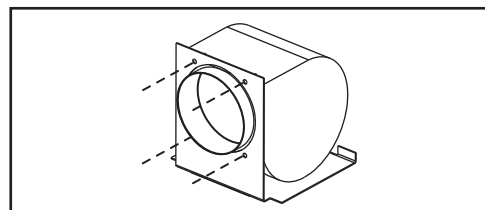
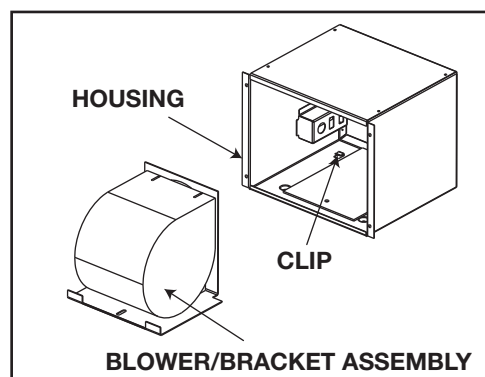
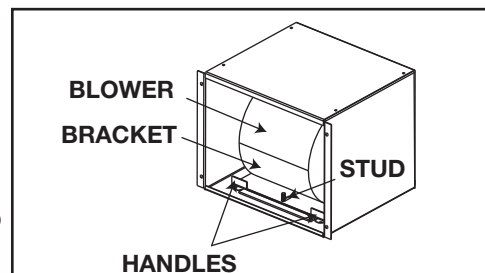
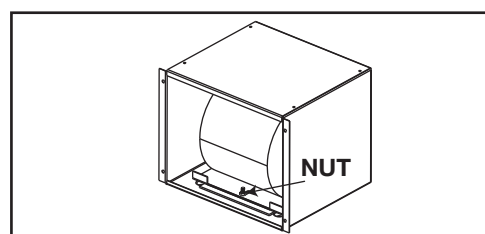
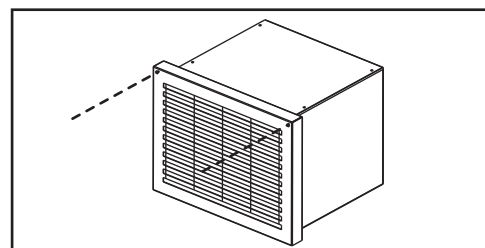


If the glass should ever crack or break while the fire is burning, do not open the door until the fire is out. Do not operate the appliance until the glass has been replaced. Contact your local authorized dealer/distributor for replacement parts. **DO NOT SUBSTITUTE MATERIALS.**

This appliance is factory equipped with 5mm ceramic glass. Use only replacement parts as supplied by the appliance manufacturer. **DO NOT SUBSTITUTE MATERIALS.**

10.7 NZ64 blower replacement

1. Remove the grill and filter by removing the two securing screws.
2. Remove the nut securing the blower bracket to the housing.
3. Lift the handles to pull the blower and bracket off the stud.
4. Slide the bracket and blower out of the housing.
5. Disconnect the wire connector from the blower.
6. Remove the old blower from the bracket by removing the four screws.
7. Secure the new blower to the existing bracket using the four screws.
8. Slide the new blower/bracket assembly into the housing. Ensure that the blower bracket slides into the clips at the back of the housing on either side.
9. Push the assembly into the housing as far in as possible.
10. Secure the assembly to the housing using the nut removed in step B.
11. Re-secure the grill by replacing the 2 securing screws.



11.0 replacement parts

WARNING

- Failure to position the parts in accordance with this manual or failure to use only parts specifically approved with this appliance may result in property damage or personal injury.

Contact your dealer for questions concerning prices and policies on replacement parts. Normally, all parts can be ordered through your Authorized dealer / distributor.

For warranty replacement parts, a photocopy of the original invoice will be required to honour the claim.

When ordering replacement parts always give the following information:

- Model & Serial Number of appliance
- Installation date of appliance
- Part number
- Description of part
- Finish

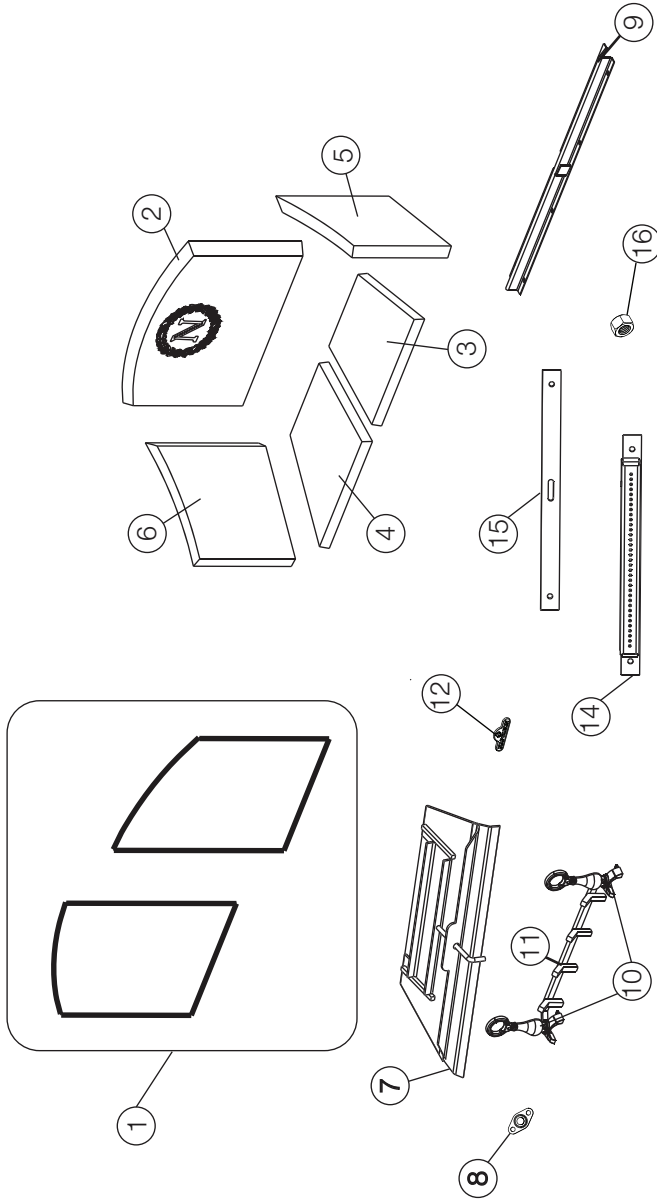
Parts, part numbers, and availability are subject to change without notice.

Parts identified as stocked will be delivered within 2 to 5 business days for most delivery destinations.

Parts not identified as stocked will be delivered within a 2 to 4 week period, for most cases.

Parts identified as 'SO' are special order and can take up to 90 days for delivery.

11.1 overview

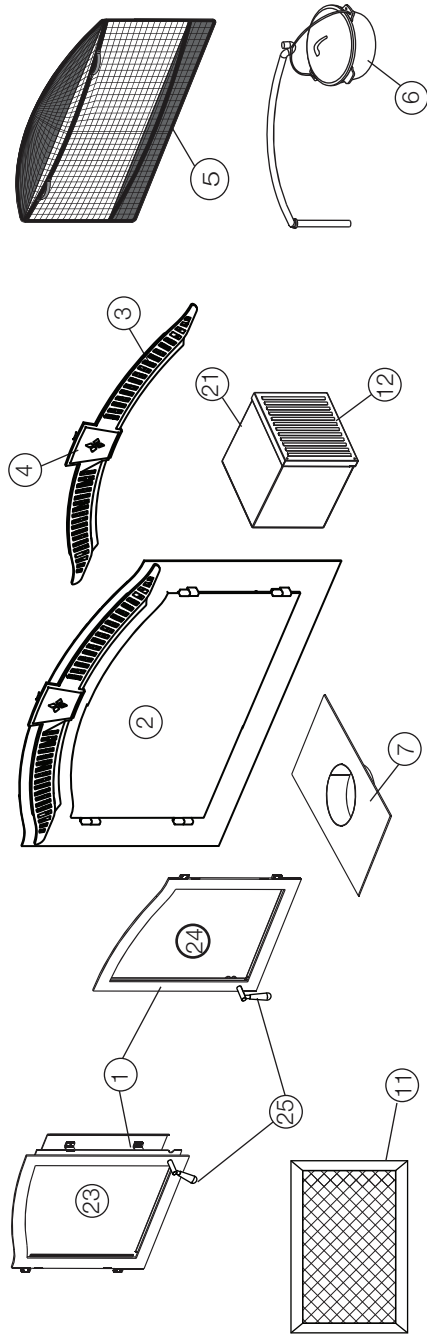


Items may not appear exactly as illustrated.

Ref.	Part Number	Description	Stocked
11	W185-0020	Grate	
12	W385-2010	Napoleon logo	Yes
13*	W410-0026	Air supply vent (10" x 6")	
14	W010-1594	Secondary air tube	
15	W290-0121	Gasket, secondary air tube	
16	W450-0028	Nut, hex brass	

* Parties non illustrées.

Ref.	Part Number	Description	Stocked
1	W010-1225	Door glass and gasket	Yes
2	W090-0099	Rear firebrick	
3	W090-0101	Bottom right firebrick	
4	W090-0100	Bottom left firebrick	
5	W090-0098	Right side firebrick	
6	W090-0097	Left side firebrick	
7	W010-1399	Bypass damper assembly	
8	W660-0065	Heat sensor	Yes
9	W010-1180	Ash lip assembly	
10	W715-0628	Andirons	Yes



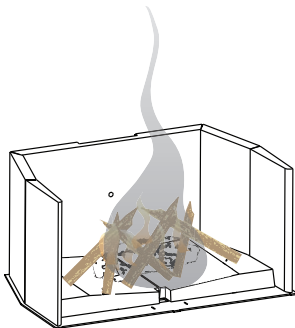
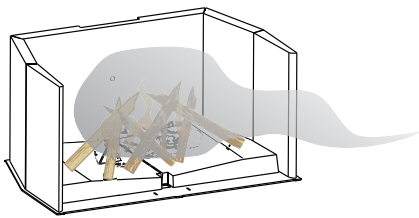
Items may not appear exactly as illustrated.

Ref. No.	Part Number	Description	Stocked
12	W305-0007	Blower Grill	
13*	NZ150-KT	Circulation Air Mounting Kit	
14*	W690-0005	120V Thermostat	Yes
15*	W175-0002	8" Coupler	
16*	NZ220-2	5" x 5" Air Vent (for NZ221)	
17*	NZ620-KT	6" x 10' Outside Combustion Air Kit	
18*	W010-0067	Gasket, Secondary Air Tube	
19*	270	Thurmalox Paint	
20*	W470-0017A	Wrought Iron Paint	Yes
21	W062-0018	Blower - NZ64	
22*	KB-35	Variable Speed Control (c/w knob)	
23	W010-1184	Left Door Assembly	
24	W010-1183	Right Door Assembly	
25	W325-0029K	Door Handle - Bird Cage	Yes
26*	W410-0005	11.5" x 8" Air Vent	

Ref. No.	Part Number	Description	Stocked
1	H335-1K	Arched Black Double Doors	
1	H335-1WI	Arched Wrought Iron Double Door	
2	FPK-1	Black Surround	
2	FPWI-1	Wrought Iron Surround	
3	UGK	Arched Black Upper Inset	
3	UGSC	Arched Satin Chrome Upper Inset	
4	KSK	Black Keystone	
5	NSK6	Arched Screen Kit	
6	CP	Country Crane and Hearth Pot	
7	NM228-M	8" Flue Tile Support	
8*	NZAC-KT	Air Cooled Chimney Kit	
9*	NZ64	Blower Kit	
10*	NZ-SMS	Smoke Shelf Extension	
11	W250-0005	Blower Filter	

* Parts not illustrated.

SYMPTOM	PROBLEM	TEST SOLUTION
Smoke enters the room during start-up.	Cold air blockage in chimney.	- Burn a piece of newspaper to establish a draft.
Kindling does not start - fire smolders.	Cold air blockage in chimney.	- Burn a piece of newspaper to establish a draft.
	Not enough starter paper.	- Use additional newspaper if necessary.
	Not enough air.	- Open doors a small crack.
Smoke enters the room while re-loading.	Insufficient draft.	- Chimney height and outside conditions can negatively affect draft. In these cases a small amount of smoke may enter the home. Adding more pipe may help. - Clean chimney
Appliance does not burn hot enough.	Wood is wet.	- See the section on "Selecting Wood" for details.
	Insufficient draft.	- Chimney height and outside conditions can negatively affect draft. In these cases a small amount of smoke may enter the home. Adding more pipe or a draft-inducing cap may help. - Clean chimney.
Blower does not run.	Appliance is not up to temperature.	- This is normal. The blower will come on when the appliance is heated up enough to heat the room.
	Electricity is cut to the blower.	- Check the household breaker or fuse to make sure it is operable.
	Door is ajar.	- Appliance door must be closed for blower to operate.
Faceplate is cold.	This is normal.	- The air leading into the firebox could come from the exterior. In these cases this air comes into the firebox and exits the chimney. This will not damage the appliance.
Appliance does not burn overnight.	The doors are not sealing.	- See the section "Door / Gasket Replacement" for details.
Appliance smoking.		- Has the chimney had time to get hot? - Is the smoke passage blocked anywhere in the appliance or chimney? - Is the smoke flow impeded by too long of a horizontal pipe or too many bends? - Is it a weak draft perhaps caused by a leaky chimney, a cold outside chimney, too short a chimney, or a chimney too close to a tree or a higher roof?



14.0 warranty

Napoleon Wood Appliances are manufactured under the strict Standard of the world recognized ISO 9001 : 2015 Quality Management System.

Napoleon products are designed with superior components and materials assembled by trained craftsmen who take great pride in their work. The complete appliance is again thoroughly inspected by a qualified technician before packaging to ensure that you, the customer, receives the quality product that you expect from **Napoleon**.

Napoleon Wood Appliances President's Lifetime Limited Warranty

The following materials and workmanship in your new **Napoleon** Wood Appliance are warranted against defects for as long as you own the appliance. For pellet appliances this covers: the pellet hopper, outer shell, ceramic glass (thermal breakage only) and ash drawer.* For wood appliances this covers: combustion chamber, heat exchanger, stainless steel baffle retainer, ceramic glass (thermal breakage only), gold plated parts against tarnishing, porcelainized enameled components, aluminum extrusion trims, vortex baffles, ash drawer and iron castings.*

For pellet appliances, the combustion chamber and heat exchanger are warranted against defects for a period of 5 years.

For wood appliances equipped with a guillotine door/screen system, they are warranted against defects for a period of 5 years.

Electrical (110V) components and wearable parts are covered and **Napoleon** will provide replacement parts free of charge during the first year of the limited warranty. For pellet appliances this covers: blowers, thermal switches and burn pot.* For wood appliances this covers: blowers, thermal switch, switches, wiring, firebrick, secondary air tubes and gasketing.*

Labour related to warranty repair is covered free of charge during the first year, with the exception of the guillotine door/screen system which will be warranted for a period of 3 years. Repair work, however, requires the prior approval of an authorized company official. Labour costs to the account of **Napoleon** are based on a predetermined rate schedule and any repair work must be done through an authorized **Napoleon** dealer.

For appliances that include firebricks and baffles, they should routinely be removed by the operator as part of the regular service and therefore, any warranty replacement of these parts does not qualify for any labour allowances.

* Construction of models vary. Warranty applies only to components included with your specific appliance.

Conditions and Limitations

Napoleon warrants its products against manufacturing defects to the original purchaser only. Registering your warranty is not necessary. Simply provide your proof of purchase along with the model and serial number to make a warranty claim. Provided that the purchase was made through an authorized **Napoleon** dealer, your appliance is subject to the following conditions and limitations:

Warranty coverage begins on the date of original installation. This factory warranty is non-transferable and may not be extended whatsoever by any of our representatives. The wood appliance must be installed by a qualified and authorized installer, service agency or supplier. Installation must be done in accordance with the installation instructions included with the product and all local and national building and fire codes. This limited warranty does not cover damages caused by misuse, lack of maintenance, accident, alterations, abuse or neglect. Operating the appliance on high for extended periods of time, is neglect. Parts installed from other manufacturers will nullify this warranty.

This limited warranty further does not cover any scratches, dents, corrosion or discoloring caused by excessive heat, abrasive and chemical cleaners nor chipping on porcelain enamel parts, nor any venting components used in the installation of the appliance. In the first year only, this warranty extends to the repair or replacement of warranted parts which are defective in material or workmanship provided that the product has been operated in accordance with the operation instructions and under normal conditions. After the first year, with respect to the President's Limited Lifetime Warranty, **Napoleon** may, at its discretion, fully discharge all obligations with respect to this warranty by refunding to the original warranted purchaser the wholesale price of any warranted but defective parts. After the first year, **Napoleon** will not be responsible for installation, labour or any other costs or expenses related to the reinstallation of a warranted part, and such expenses are not covered by this warranty. Notwithstanding any provisions contained in the President's Limited Lifetime Warranty, **Napoleon's** responsibility under this warranty is defined as above and it shall not, in any event, extend to any incidental, consequential or indirect damages. This warranty defines the obligations and liability of **Napoleon** with respect to the **Napoleon** wood appliance and any other warranties expressed or implied with respect to this product, its components or accessories are excluded. **Napoleon** neither assumes, nor authorizes any third party to assume, on its behalf, any other liabilities with respect to the sale of this product. **Napoleon** will not be responsible for: over-firing, downdrafts, spillage caused by environmental conditions such as rooftops, buildings, nearby trees, hills, mountains, inadequate vents or ventilation, excessive venting configurations, insufficient makeup air, or negative air pressures which may or may not be caused by mechanical systems such as exhaust blowers, furnaces, clothes dryers, etc.

Any damages to appliance, combustion chamber, heat exchanger, brass trim or other component due to water, weather damage, long periods of dampness, condensation, damaging chemicals or cleaners will not be the responsibility of **Napoleon**. Regular cleaning of the fine ash generated during the operation of this appliance is a necessary part of maintaining your wood appliance. Failure of any components, which is attributed to poor maintenance, is not warrantable and will not be covered by this policy. **Napoleon** reserves the right to have its representative inspect any product or part thereof prior to honouring any warranty claim. All parts replaced under the President's Limited Lifetime Warranty Policy are subject to a single claim. During the first 10 years **Napoleon** will replace or repair the defective parts covered by the lifetime warranty at our discretion free of charge. From 10 years to life, **Napoleon** will provide replacement parts at 50% of the current retail price. All parts replaced under the warranty will be covered for a period of 90 days from the date of their installation.

The manufacturer may require that defective parts or products be returned or that digital pictures be provided to support the claim. Returned products are to be shipped prepaid to the manufacturer for investigation. If a product is found to be defective, the manufacturer will repair or replace such defect. Before shipping your appliance or defective components, your dealer must obtain an authorization number. Any merchandise shipped without authorization will be refused and returned to sender. Shipping costs are not covered under this warranty. Additional service fees may apply if you are seeking warranty service from a dealer. Warranty labour allowance is only for the replacement of the warranted part. Travel, diagnostic tests, shipping and other related charges are not covered by this warranty and other related charges are not covered by this warranty.

All specifications and designed are subject to change without prior notice due to on-going product improvements. **Napoleon** is a registered trademark of Wolf Steel Ltd.

Appliance Service History

This appliance must be serviced annually depending on usage.

Date	Dealer Name	Service Technician Name	Service Performed	Special Concerns

NAPOLEON CELEBRATING OVER 40 YEARS OF HOME COMFORT PRODUCTS



7200, Route Transcanadienne, Montréal, Québec H4T 1A3
24 Napoleon Road, Barrie, Ontario, Canada L4M 0G8
214 Bayview Drive, Barrie, Ontario, Canada L4N 4Y8
103 Miller Drive, Crittenden, Kentucky, USA 41030

Phone: 1-866-820-8686
napoleon.com



MANUEL D'INSTALLATION ET D'OPÉRATION

INSTALLATEUR:

Laissez ce manuel avec l'appareil.

PROPRIÉTAIRE:

Conservez ce manuel pour consultation ultérieure.

CONSIGNES DE SÉCURITÉ

⚠ AVERTISSEMENT

Si ces instructions ne sont pas suivies à la lettre, un incendie ou une explosion pourraient s'ensuivre, causant des dommages matériels, des blessures corporelles ou des pertes de vie. Veuillez lire le manuel en entier avant d'installer et d'utiliser cet appareil. Cet appareil n'a pas été testé avec un ensemble de bûches à gaz non ventilées. Afin de réduire le risque d'incendie ou de blessure, n'installez pas d'ensemble de bûches à gaz non ventilées dans cet appareil.

- Cet appareil peut devenir très chaud lorsqu'il fonctionne.
- Les matériaux combustibles, tels que le bois de chauffage, les vêtements mouillés, etc. placés trop près de l'appareil pourraient prendre feu.
- Il faut empêcher les enfants et les animaux de toucher l'appareil quand il est chaud.
- La cheminée doit être en bon état et ne pas être fêlée. Avant d'installer cet appareil, contactez le service du bâtiment ou le service d'incendie de votre municipalité et suivez leurs directives.
- Faites fonctionner l'appareil seulement avec la porte (les portes) ou l'écran (s'il y a lieu) bien fermée.
- Brûlez le bois en arrière du pare-bûches, directement sur les briques réfractaires.
- N'utilisez pas un chenet et n'essayez pas de surélever le feu de quelque manière.
- Cet appareil a été conçu pour brûler seulement le bois naturel. Vous obtenez une meilleure efficacité et des émissions plus basses avec du bois dur séché à l'air qu'avec du bois résineux ou vert, ou du bois dur fraîchement coupé.
- N'allumez pas votre feu à l'aide de produits chimiques ou de liquides, tels que l'essence, de l'huile à moteur, etc.
- Ne brûlez pas de déchets, des résidus de tonte de pelouse, de caoutchouc, des produits pétroliers résiduels, de la peinture ou du diluant / de solvants, de plastique, des matériaux contenant de l'amiante, des débris de construction, des traverses de chemin de fer ou de bois traités, du fumier ou des restes d'animaux, du bois de grève imprégné de sel ou des matériaux salés, du bois non séché, de charbon, de papiers de couleur, de cartons, des contreplaqués ou des panneaux de particules. Brûler ces matériaux pourrait entraîner la libération de fumées toxiques ou rendre l'appareil inefficace et générer de la fumée.
- Ne laissez pas l'appareil chauffer au point où des parties deviennent rougeoyantes.

Poêles à bois SEULEMENT

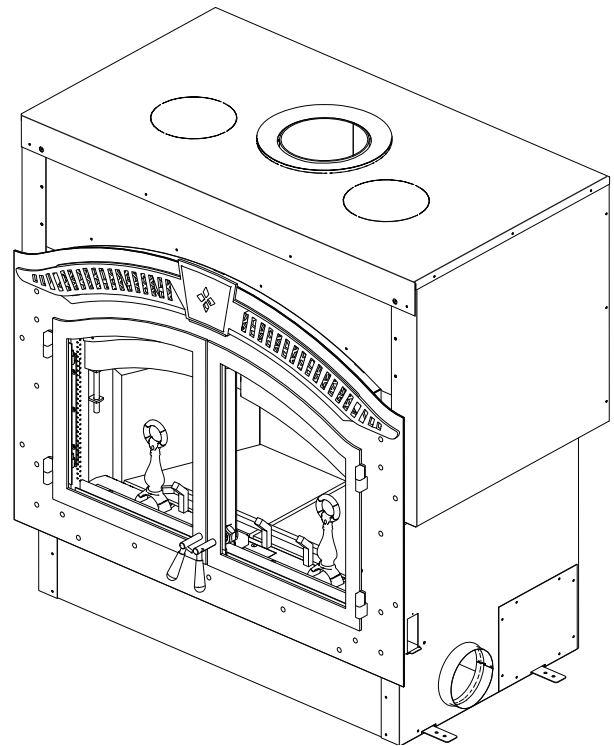
- Au moins 14 pouces carrés (90,3 centimètre carrés) d'air extérieur doit être admis dans le pièce ou directement dans l'appareil par un conduit de 4 pouces (102mm) de diamètre.
- GARDEZ LA TEMPÉRATURE SUR LE DESSUS DE L'APPAREIL SOUS 700°F (371°C). Toute tentative d'atteindre débits maximaux de chaleur, pourrait provoquer la distorsion de l'acier et causer des dommages.



HIGH COUNTRY^{MD} 6000

Appareil de Chauffage à Combustible Solide
Dégagement Zéro

(NZ6000-1 Illustré)



POUR L'UTILISATION INTÉRIEUR SEULEMENT

CET APPAREIL A ÉTÉ TESTÉ ET HOMOLOGUÉ PAR INTERTEK TESTING SERVICES LTD. SELON LES NORMES : NORMES ULC S610 ET UL 127 POUR LES FOYERS PRÉFABRIQUÉS.



Wolf Steel Ltd., 24 Napoleon Rd., Barrie, ON, L4M 0G8 Canada / 103 Miller Drive, Crittenden, Kentucky, USA, 41030
Téléphone 1 (866) 820-8686 • www.napoleon.com • hearth@napoleon.com

consignes de sécurité

FR

AVERTISSEMENT

- Cet appareil est chaud lorsqu'il fonctionne et peut causer de graves brûlures en cas de contact.
- Toute modification apportée à cet appareil ou aux contrôles peut être dangereuse et est interdite.
- Ne faites pas fonctionner l'appareil avant d'avoir lu et compris les instructions d'opération. Omettre d'utiliser l'appareil selon les instructions d'opération pourrait causer un incendie ou des blessures.
- Avant d'installer cet appareil, contactez les autorités locales du bâtiment ou le service des incendies et suivez leurs directives.
- Cet appareil doit être installé par un installateur qualifié. N'essayez jamais de réparer ou de remplacer les pièces de cet appareil à moins que des instructions soient fournies à cet effet dans ce manuel. Tout autre travail devrait être effectué par un technicien qualifié.
- Risque de brûlures. L'appareil doit être éteint et refroidi avant d'effectuer un entretien.
- Ne faites pas fonctionner tant que tous les composants ne sont pas complètement installés. N'installez pas de composants endommagés ou incomplets ni des composants substituts.
- Ne laissez pas l'appareil chauffer au point où des parties deviennent rougeoyantes.
- Risque de coupures et d'éraflures. Portez des gants protecteurs et des lunettes de sécurité lors de l'installation. Les bordures des pièces de métal peuvent être coupantes.
- Cet appareil doit être raccordé électriquement par un électricien qualifié conformément aux codes locaux. En l'absence de codes locaux, utilisez la version courante du code canadien de l'électricité CSA C22.1 au Canada ou le national electrical code ANSI/NFPA 70 aux États-Unis.
- Brûler votre appareil avec la porte de décharge de cendre ouvert crée un risque d'incendie qui peuvent entraîner une décoloration de la porte, les dommages internes à l'appareil ou un feu de cheminée.
- Cet appareil ne doit pas être raccordé au conduit d'une cheminée desservant un autre appareil.
- Les enfants et les adultes devraient être informés des dangers que posent les températures de surface élevées et se tenir à distance afin d'éviter des brûlures ou que leurs vêtements ne s'enflamment.
- Surveillez attentivement les jeunes enfants lorsqu'ils sont dans la même pièce que l'appareil. Les jeunes enfants et autres sont plus à risque de contacts accidentels causant des brûlures. Une barrière physique est conseillée lorsque qu'il y a des individus à risque dans la maison. Pour empêcher l'accès à un appareil ou un poêle, installez une barrière de sécurité pour garder les jeunes enfants et autres individus à risque hors de la pièce et éloignés des surfaces chaudes. Les vêtements et autres matériaux combustibles ne doivent pas être posés sur le foyer ou à proximité.
- En raison des températures élevées, le foyer devrait être placé loin des endroits passants et loin des meubles et des rideaux. Les objets placés devant l'appareil doivent être gardés à une distance d'au moins 4 pieds (1,2m) de l'avant de l'appareil.
- En raison des températures élevées, l'appareil devrait être placé loin des endroits passants et loin des meubles et des rideaux.
- Assurez-vous de disposer de mesures de sécurité adéquates pour empêcher les jeunes enfants de toucher aux surfaces chaudes.
- Même une fois que le foyer est éteint, la vitre et/ou le pare-étincelles demeureront chauds pendant un temps prolongé.
- Consultez votre détaillant local de foyer pour connaître les grillages de sécurité et les écrans offerts pour protéger les enfants des surfaces chaudes. Ces grillages de sécurité et ces écrans doivent être fixés au plancher.
- Les grillages de sécurité ou écrans enlevés pour faire l'entretien devront être remis en place avant d'utiliser l'appareil.
- Cet appareil ne devra être modifié en aucun cas.
- Cet appareil ne doit pas être raccordé au conduit d'une cheminée desservant un autre appareil de chauffage à combustible solide.
- Ne pas opérer l'appareil lorsque la porte vitrée est enlevée, fissurée ou brisée. Le remplacement de la vitre devra être effectué par un technicien de service certifié ou qualifié.
- Ne frappez pas et ne claquez pas la porte vitrée de l'appareil.
- Seulement les portes/façades certifiées pour cet appareil peuvent être utilisées avec cet appareil.



AVERTISSEMENT

- Gardez les matériaux d'emballage hors de la portée des enfants et mettez ces matériaux au rebut de façon sécuritaire. Comme tous les emballages de plastique, ces matériaux ne sont pas des jouets et doivent demeurer hors de la portée des enfants et des bébés.
- Si cet appareil n'est pas installé de façon adéquate, un incendie pourrait s'ensuivre. N'exposez pas l'appareil aux éléments (p. ex. la pluie, etc.) et gardez-le au sec en tout temps. De l'isolant humide produira une odeur lorsque l'appareil est utilisé.
- La cheminée doit être en bon état et ne pas être fissurée. Nettoyez la cheminée au moins deux fois par année et lorsque nécessaire.
- N'allumez pas votre feu à l'aide de produits chimiques ou de liquides tels que de l'essence, de l'huile à moteur, etc.
- Votre appareil nécessite un entretien et un nettoyage périodiques. Négliger cet entretien peut causer des refoulements de fumée dans la maison.
- Les cendres doivent être mises dans un contenant métallique avec un couvercle hermétique et déposé sur une surface incombustible suffisamment éloigné de la maison ou de toute structure jusqu'à ce qu'elles soient complètement refroidies.
- Assurez-vous de respecter les dégagements aux matériaux combustibles lorsque vous installez un manteau ou des tablettes au-dessus de l'appareil. Les températures élevées sur le mur ou de l'air au-dessus de l'appareil peuvent faire fondre, décolorer ou endommager les décorations, les téléviseurs ou autres composants électroniques.

 AVERTISSEMENT: Ce produit peut vous exposer à des substances chimiques incluant le plomb et les composés de plomb qui, selon l'État de Californie, causeraient le cancer, et des substances chimiques incluant le monoxyde de carbone qui, selon l'État de Californie, causeraient des malformations congénitales ou autres dangers pour la reproduction. Pour de plus amples renseignements, visitez le www.P65Warnings.ca.gov.

Pour les appareils de bois:

- Vous obtenez une meilleure efficacité et des émissions plus basses avec du bois dur séché à l'air qu'avec du bois résineux ou vert, ou des bois durs fraîchement coupés. Brûler du bois vert ou humide peut causer des accumulations excessives de crésote. Lorsqu'elle est allumée, cette dernière peut causer un feu de cheminée et un incendie grave pourrait s'ensuivre.
- Cet appareil a été conçu pour brûler du bois naturel uniquement. Ne brûlez pas de déchets, des résidus de tonte de pelouse, de caoutchouc, des produits pétroliers résiduels, de la peinture ou du diluant / de solvants, de plastique, des matériaux contenant de l'amiante, des débris de construction, des traverses de chemin de fer ou de bois traités, du fumier ou des restes d'animaux, du bois de grève imprégné de sel ou des matériaux salés, du bois non séché, de charbon, de papiers de couleur, emballage-cadeau, de cartons, des contreplaqués ou des panneaux de particules. La combustion de ces matériaux peut entraîner la libération de fumées toxiques ou rendre l'appareil inefficace et causer de la fumée.
- Brûlez le bois directement sur les briques réfractaires. N'utilisez pas un chenet et n'essayez pas de surélever le feu de quelque manière.
- Ne rangez pas de bois à l'intérieur des dégagements prescrits ou à l'intérieur de la zone nécessaire pour procéder au ravitaillement ou à l'enlèvement des cendres.
- Si équipé, le catalyseur doit être installé et en bon état de fonctionnement. Il est recommandé que le catalyseur est inspecté au moins 3 fois par saison de chauffage.

L'utilisation de cet appareil peut produire de la fumée qui contient des substances chimiques qui, selon l'État de Californie, causeraient le cancer, des malformations congénitales ou autres dangers pour la reproduction.

N'utilisez pas de compormis de fortune lors de l'installaiton. N'obstruez pas, entièrement ou partiellement, la grille et les ouvertures de l'appareil. N'ajoutez pas de hotte. Faire fonctionner cet appareil avec la porte ouverte ou entrouverte crée un risque d'incendie de cheminée ou du domicile.

Tous les raccordements d'évacuation doivent se conformer aux instructions d'installation du fabricant de la cheminée. Les dégagements mentionnés dans ce manuel correspondent aux exigences minimales.

Votre appareil doit être installé selon les codes du bâtiment locaux et nationaux et selon les normes des Cheminées et Foyers, Événements et Appareils à combustion solide NFPA #211. Consultez l'autorité compétente (comme le service municipal du bâtiment, le service des incendies, le bureau de prévention des incendies, etc.) afin de déterminer si vous avez besoin d'un permis d'installation. Si vous avez des doutes au sujet de l'installation appropriée pour votre situation particulière, contactez votre détaillant ou l'autorité locale des incendies ou du bâtiment. Le fabricant ne garantit pas que cet appareil et ses composants optionnels pourront chauffer votre maison au complet.

Les bruits causés par l'expansion et la contraction lors des cycles de chauffage et de refroidissement sont tout à fait normaux et il faut s'y attendre.

L'appareil doit être fixé au plancher. Pour ce faire, utilisez les supports servant à ancrer l'appareil sur la palette.



Nous suggérons que nos poêles à bois soient installés et entretenus par des professionnels certifiés aux États-Unis par le National Fireplace Institute® (NFI) et au Canada par le Wood Energy Technical Training (WETT).



table de matières

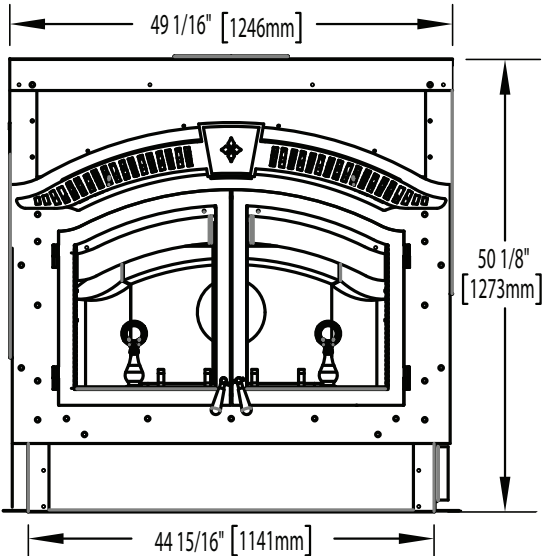
FR

1.0	dimensions	55	7.7	installation et l'enlèvement du conduit d'air secondaire	77
2.0	information générales	56	7.8	installation des briques réfractaires et du déflecteur	78
2.1	instructions générales	56	7.9	installation de la soufflerie en option NZ64	79
2.2	caractéristiques	57	7.10	ensemble NZ150-KT	81
2.3	cette cheminée à combustible bois de corde	57	7.11	ensemble de pare-étincelles optionnel NSK6	81
2.4	spécification électrique	57	7.12	déflecteur de fumée	82
2.5	liste des articles	57	8.0	sélection du bois	83
2.6	information sur la plaque d'homologation	58	9.0	fonctionnement	84
3.0	vue d'ensemble de l'installation	59	9.1	bruits et odeurs lors du fonctionnement	84
4.0	planification d'installation	60	9.2	extincteurs, détecteurs de fumée, et détecteurs de monoxyde de carbone	84
4.1	emplacements et dégagements	60	9.3	contrôle du tirage	85
4.2	ouvertures de ventilation	61	9.4	chargement du bois et cycle de combustion	86
4.3	air comburant extérieur	61	9.5	allumer le feu	87
4.4	protection du plancher	62	9.6	fumée	89
4.4.1	pare-braises et base de protection	62	10.0	entretien	90
4.4.2	base de protection	63	10.1	enlèvement des cendres	90
4.4.3	exemples de bases de protection	64	10.2	formation et enlèvement de la créosote	90
5.0	installation	65	10.3	feu de cheminée ou feu hors contrôle	91
5.1	cheminée	65	10.4	nettoyage de la cheminée	91
5.2	installation typique de la cheminée	66	10.5	remplacement de la vitre et du joint d'étanchéité	92
5.3	ajout de sections de cheminée	67	10.6	soins de la vitre	92
5.4	installation de la cheminée avec déviation	68	10.7	remplacement de la soufflerie NZ64	93
5.5	installation du solin et du collet de solin	69	11.0	rechanges	94
5.6	raccordement à une cheminée de maçonnerie	69	11.1	vue d'ensemble	95
5.7	installation d'une cheminée refroidie à l'air	70	12.0	accessoires	96
6.0	ossature	71	13.0	guide de dépannage	97
6.1	installation avec une cheminée préfabriquée standard	72	14.0	garantie	98
6.2	installation avec une cheminée refroidie à l'air	72	15.0	historique de service	99
6.3	dégagements minimaux aux matériaux combustibles	73			
6.4	dégagements minimaux aux enceintes	73			
6.5	dégagements minimaux de la tablette	74			
7.0	finitions	75			
7.1	façade	75			
7.2	installation de la grille supérieure	75			
7.3	installation de la clé ornementale	75			
7.4	installation de la poignée de porte	76			
7.5	installation de la porte	76			
7.6	installation de la poignée de porte	77			

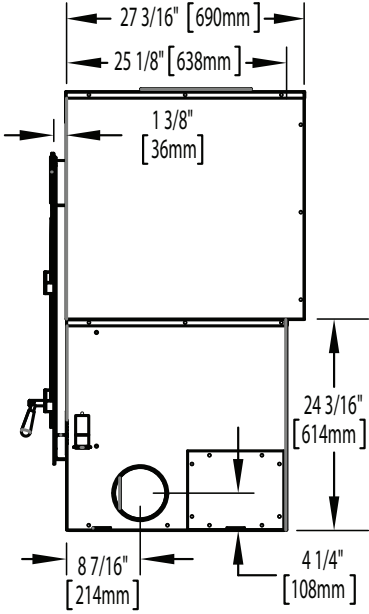
note:

Les changements, autres que les éditoriales, sont dénotés par une ligne verticale dans la marge.

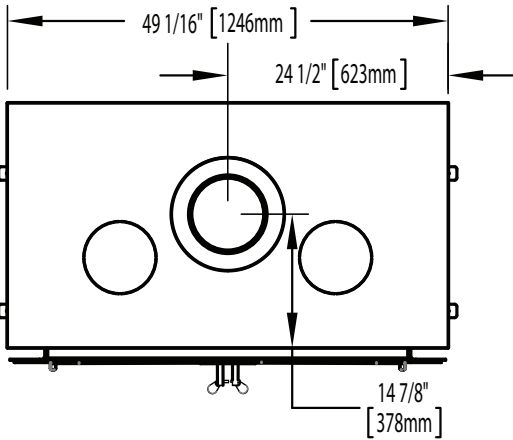
vue frontale



vue de côté droite



vue de dessus



2.0 information générales

FR

Il y a beaucoup d'autres appareils dans la maison qui sont en compétition avec cet appareil pour l'air, tel que hottes de cuisine, appareils de chauffage d'air forcé, et ventilateurs d'extraction de salle de bains. Donc, afin d'éviter les risques d'incendie et/ou les blessures, assurez-vous de fournir l'air de combustion suffisamment à cet appareil.

2.1 instructions générales

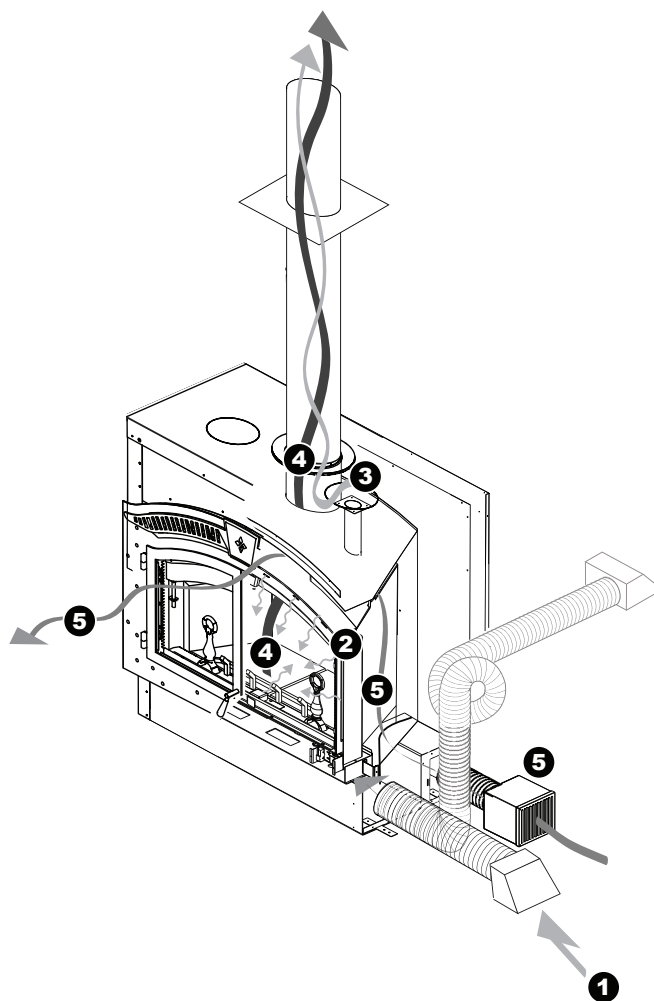
note:

N'installer pas un insert d'appareil ou d'autres produits/accessoires non spécifiées pour l'utilisation avec ce produit.

! AVERTISSEMENT

- Avant d'installer cet appareil, contactez les autorités locales du bâtiment ou le service des incendies et suivez leurs directives.
- Cet appareil doit être installé par un installateur qualifié. Suivez les instructions d'installation. Ne pas utiliser sans installer tous les composants.
- Si cet appareil n'est pas installé de façon adéquate, un incendie pourrait s'ensuivre.
- N'exposez pas l'appareil aux éléments (par ex., la pluie, etc.) et gardez-le au sec en tout temps. Des matériaux isolants mouillés dégageront une odeur lors du fonctionnement de l'appareil.
- Cet appareil est chaud lorsqu'il fonctionne et il peut causer de graves brûlures en cas de contact. Il faut empêcher les enfants et les animaux de toucher l'appareil quand il est chaud. Contactez votre détaillant local pour connaître les grillages de sécurité disponibles pour ce produit.
- Les matériaux combustibles, tels que le bois de chauffage, les vêtements mouillés, etc., placés trop près de l'appareil pourraient prendre feu. Les objets placés devant de l'appareil doivent être gardés à une distance d'au moins 48" (121.9cm) de la face vitrée de l'appareil.
- L'installation électrique doit être effectuée par un électricien qualifié, en conformité avec les codes locaux et avec la version courante du National Electric Code ANSI/NF No. 70 (aux États-Unis), ou avec le Code Canadien de l'Électricité CSA C22.1 (au Canada).

1. L'air comburant et de dilution est acheminé dans l'appareil en entrant par les prises d'air extérieur situées sur la partie supérieure arrière de l'appareil.
2. L'air comburant est acheminé dans la chambre de combustion à travers plusieurs petits trous dans le système d'apport d'air situé dans le haut et les côtés de l'ouverture.
3. L'air de dilution est introduit au niveau supérieur de la chambre de combustion au-dessus du déflecteur pour refroidir la cheminée.
4. La combustion se produit à l'intérieur de la chambre de combustion et évacue par la cheminée.
5. La soufflerie optionnelle peut être installée pour tirer l'air extérieur dans la maison (non recommandé dans les climats plus froids), alors l'ensemble NZ150-KT ou la soufflerie NZ64 peuvent être installés à l'intérieur, ce qui fera circuler davantage l'air chauffé dans votre maison.



2.2 caractéristiques

- Longueur maximale des bûches de 32" (81,3cm)
- Soufflerie optionnelle de 320 PCM pour une chaleur de convection
- Thermostat pour un contrôle automatique de la soufflerie
- Diamètre de buse de sortie 8" (203.2mm).
- Charge de carburant maximum 40lbs (18 kg).
- Grandes portes vitrées pour un maximum de visibilité
- Revêtement de briques réfractaires qui protège la chambre de combustion
- Air extérieur pour la combustion

2.3 cette cheminée à combustible bois de corde

AVERTISSEMENT

- Ne laissez pas l'appareil chauffé au point où des parties deviennent rougeoyantes.

Cet appareil est un produit décorative et n'est pas conçu comme une source primaire du chaleur.

Capacité de chauffage approximative jusqu'à 1000 pieds carrés (92 mètres carrés).

2.4 spécification électrique

À "HIGH", la soufflerie fonctionne sur du courant alternatif (C.A) de 120 volts - 2,2 A. (environ 250 watts).

2.5 liste des articles

Livré avec l'appareil:

Manuel d'instructions

Défecteur

Pare-braises

Pare-bûches

Conduit flexible avec collet de départ de 10' (3m) de long et 6" (152mm) de diamètre (1 pour l'ensemble NZ150KT ou la soufflerie et 2 pour les prises d'air carburant extérieur).

Expédié avec la façade:

Façade

12 vis pour la façade

Expédié avec les portes:

Instructions d'installation et quincaillerie

information générales

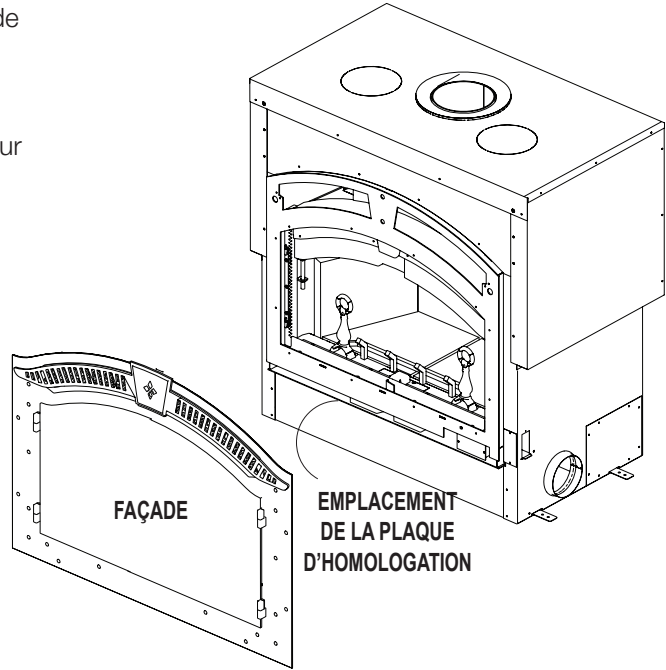
FR 2.6 information sur la plaque d'homologation

La plaque d'homologation est située derrière la façade de l'appareil.

Cette illustration est à titre de référence seulement. Consultez la plaque d'homologation sur l'appareil pour obtenir l'information précise.

note:

La plaque d'homologation doit rester avec l'appareil à tout instant. Il ne doit pas être enlevé.



<p>CERTIFIED TO / CERTIFIÉ SELON: ULC S610, UL-127</p> <p>MODEL/NO° DE MODÈLE NZ6000-1</p> <p>Intertek <input type="checkbox"/> 9700539 (WSL) <input type="checkbox"/> 4001658 (NAC) <input type="checkbox"/> 4001657 (NGZ) <input type="checkbox"/> 4001659 (WUSA)</p> <p>HIGH COUNTRY LISTED FACTORY BUILT FIREPLACE / Foyer Préfabriqué Homologué</p> <p>INSTALL AND USE ONLY IN ACCORDANCE WITH THE MANUFACTURER'S INSTALLATION AND OWNERS MANUAL. CONTACT LOCAL BUILDING OR FIRE OFFICIALS ABOUT RESTRICTIONS AND INSTALLATION INSPECTION IN YOUR AREA. DO NOT CONNECT THIS UNIT TO A CHIMNEY SERVING ANOTHER APPLIANCE.</p> <p>POUR INSTALLATION ET UTILISATION CONFORMÉMENT AUX MANUEL D'INSTRUCTIONS DU FABRICANT RENSEIGNEZ-VOUS APRÈS DES AUTORITÉS LOCALES DU BÂTIMENT OU DU SERVICE DES INCENDIES AU SUJET DES RESTRICTIONS ET DES INSPECTIONS D'INSTALLATION DANS VOTRE RÉGION. NE PAS RACCORDER À LA CHEMINÉE D'UN AUTRE APPAREIL.</p> <p>MANUFACTURE DATE: YEAR: <input type="checkbox"/> 2015 <input type="checkbox"/> 2016 <input type="checkbox"/> 2017 <input type="checkbox"/> 2018 <input type="checkbox"/> 2019 <input type="checkbox"/> 2020 MONTH: <input type="checkbox"/> 1 <input type="checkbox"/> 2 <input type="checkbox"/> 3 <input type="checkbox"/> 4 <input type="checkbox"/> 5 <input type="checkbox"/> 6 <input type="checkbox"/> 7 <input type="checkbox"/> 8 <input type="checkbox"/> 9 <input type="checkbox"/> 10 <input type="checkbox"/> 11 <input type="checkbox"/> 12</p> <p>OPTIONAL COMPONENTS / PIÈCES OPTIONNELLES</p> <p>BLOWER KIT / SOUFFLERIE: NZ24 HOT AIR GRAVITY VENTS / VENTILATION PAR GRAVITÉ: NZ221</p> <p>ACCESSORIES PROVIDED BY MANUFACTURER ARE TO BE UTILIZED ONLY / SEULS LES ACCESSOIRES FOURNIS PAR LE FABRICANT DEVRAIENT ÊTRE UTILISÉS.</p> <p>WARNING: • Operate with feed doors closed. Open to load fire only. • Transport safely in an upright non-combustible container. • For use with wood only. • Not for use in a Mobile Home. • Combustion air openings are not to be obstructed.</p> <p>AVERTISSEMENT: • Tenir les portes fermées lorsque le foyer fonctionne. • Ne servir que pour transporter le bois. • Transporter les cendrier dans un contenant incombustible positionné en verticale droite. • Pour emploi avec du bois de corde seulement. • Ne pas être utilisé dans une maison mobile. • Les ouvertures d'air de combustion de doivent pas être obstruées.</p> <p>Do not use a fireplace insert or other products not specified for use with this product. N'utiliser pas un insert de cheminée ou d'autres produits non spécifiés pour l'utilisation avec ce produit.</p> <p>Replace only with ceramic glass obtained from the dealer and certified for use with this fireplace. Remplacez uniquement avec du verre obtenu du détaillant et certifié pour l'utilisation avec cet appareil.</p> <p>SERIAL NO. NZ6000-1</p> <p>WOLF-STEEL 24 NAPOLEON ROAD, SARRIS, ONTARIO L4M 6G8 CANADA</p>		<p>COMPONENTS REQUIRED FOR INSTALLATION:</p> <p>SHIPPED WITH THE FIREPLACE: INSTALLATION MANUAL EMBER STRIP LOG RETAINER FLEX DUCT W/ START COLLAR W/ LENGTH OF 24" FOR BLOWER AND OUTSIDE AIR SUPPLY.</p> <p>SHIPPED WITH FACEPLATE: FACEPLATE 12 FACEPLATE SCREWS</p> <p>SHIPPED WITH THE DOOR(S): INSTALLATION INSTRUCTIONS AND HARDWARE</p> <p>CHIMNEY REQUIREMENTS (see installation manual): Chimney must be certified to one of the following standards: ULC S604, ULC S610 or ULC S629 for Canada or UL 103HT or UL-127 for the United States Masonry chimney installation: Stainless steel liner must be certified to ULC S640 M92 or ULC 639 for Canada or UL 1777 for the United States Air cooled chimney: Use only FMI BDM</p> <p>MINIMUM CHIMNEY HEIGHT 15 ft (4.57 m) MAXIMUM CHIMNEY HEIGHT 34 ft (10.36 m) MAXIMUM OFFSET ANGLE 30° US - 45° CANADA</p> <p>MAXIMUM NUMBER OF ELBOWS 4 FLUE COLLAR 8"</p> <p>COMPOSANTS REQUIS POUR L'INSTALLATION:</p> <p>LIVRÉ AVEC LE Foyer: MANUEL D'INSTRUCTIONS DÉTECTEUR PARE-BOÛCHES GAINE FLEXIBLE AVEC COLLET DE RACCORD DE PRISE D'AIR DE 24" DE DIAMÈTRE (POUR LA SOUFFLERIE ET L'AMPROUÈNEMENT D'AIR EXTÉRIEUR)</p> <p>LIVRÉ AVEC LA PLAQUE FACE: 12 VIS POUR LA PLAQUE FACE</p> <p>LIVRÉ AVEC LES PORTES (S): INSTRUCTIONS D'INSTALLATION ET QUINCAILLERIE</p> <p>EXIGENCES POUR LA CHEMINÉE (voir le manuel d'installations): La cheminée doit être certifiée selon l'une des normes suivantes: ULC S604 ou ULC S610 pour le Canada ou selon les normes UL 103HT ou UL-127 pour les États-Unis Installation dans une cheminée en maçonnerie: La gaine en acier inoxydable doit être certifiée selon les normes ULC S640 M92 ou ULC 639 pour le Canada ou selon la norme UL 1777 pour les États-Unis Cheminée refroidie à l'air: Utilisez seulement FMI BDM</p> <p>HAUTEUR MINIMALE DE LA CHEMINÉE 15 pi (4,57 m) HAUTEUR MAXIMALE DE LA CHEMINÉE 34 pi (10,36 m) ANGLE DE DÉVIAISON MAXIMAL 30° US - 45° CANADA</p> <p>NOMBRE MAXIMUM DE COUDES 4 BUSE D'ÉVACUATION 8"</p>		<p>PREVENT CROSOSOTE FIRE. INSPECT CHIMNEY AND CHIMNEY CONNECTOR, IF APPLICABLE, TWICE MONTHLY AND CLEAN IF NECESSARY. DO NOT OVERFIRE. IF EXTERIOR OF UNIT GLOWS RED, YOU ARE OVERFIRING. KEEP FURNISHINGS AND OTHER COMBUSTIBLE MATERIALS A CONSIDERABLE DISTANCE AWAY FROM APPLIANCE. TYPE OF FUEL: WOOD ONLY.</p> <p>PREVENIR LES FEUX DE CROSOSOTE. INSPECTEZ LA CHEMINÉE OU LE RACCORD DE CHEMINÉE, SI APPLICABLE, DEUX FOIS PAR MOIS ET NETTOYEZ SI NÉCESSAIRE. NE SURCHAUFFEZ PAS. SI L'EXTÉRIEUR DE L'UNITÉ DEVIENT ROUGE, VOUS SURCHAUFFEZ. GARDEZ LES MEUBLES ET AUTRES MATÉRIELS COMBUSTIBLES À UNE DISTANCE CONSIDÉRABLE DE L'APPAREIL DE CHAUFFAGE. TYPE DE COMBUSTIBLE: BOIS SEULEMENT.</p> <p>IMPORTANT</p> <p>BEFORE COMMENCING INSTALLATION REFER TO THE LABEL LOCATED BEHIND THE FACEPLATE AND TO THE MANUFACTURER'S INSTALLATION INSTRUCTIONS PACKAGED TOGETHER WITH THIS UNIT. THE INSTALLATION MUST BE APPROVED BY THE AUTHORITY HAVING JURISDICTION.</p> <p>AVANT DE COMMENCER L'INSTALLATION, RÉFÉREZ-VOUS À L'ÉTIQUETTE QUI SE TROUVE DERRIÈRE LA PLAQUE ANSI QU'ÀUX INSTRUCTIONS D'INSTALLATION DU MANUFACTURER FOURNIES AVEC L'UNITÉ. L'INSTALLATION DOIT ÊTRE APPROUVÉE PAR L'AUTORITÉ COMPÉTENTE.</p> <p>W385-2005 / D</p>	
--	--	---	--	--	--

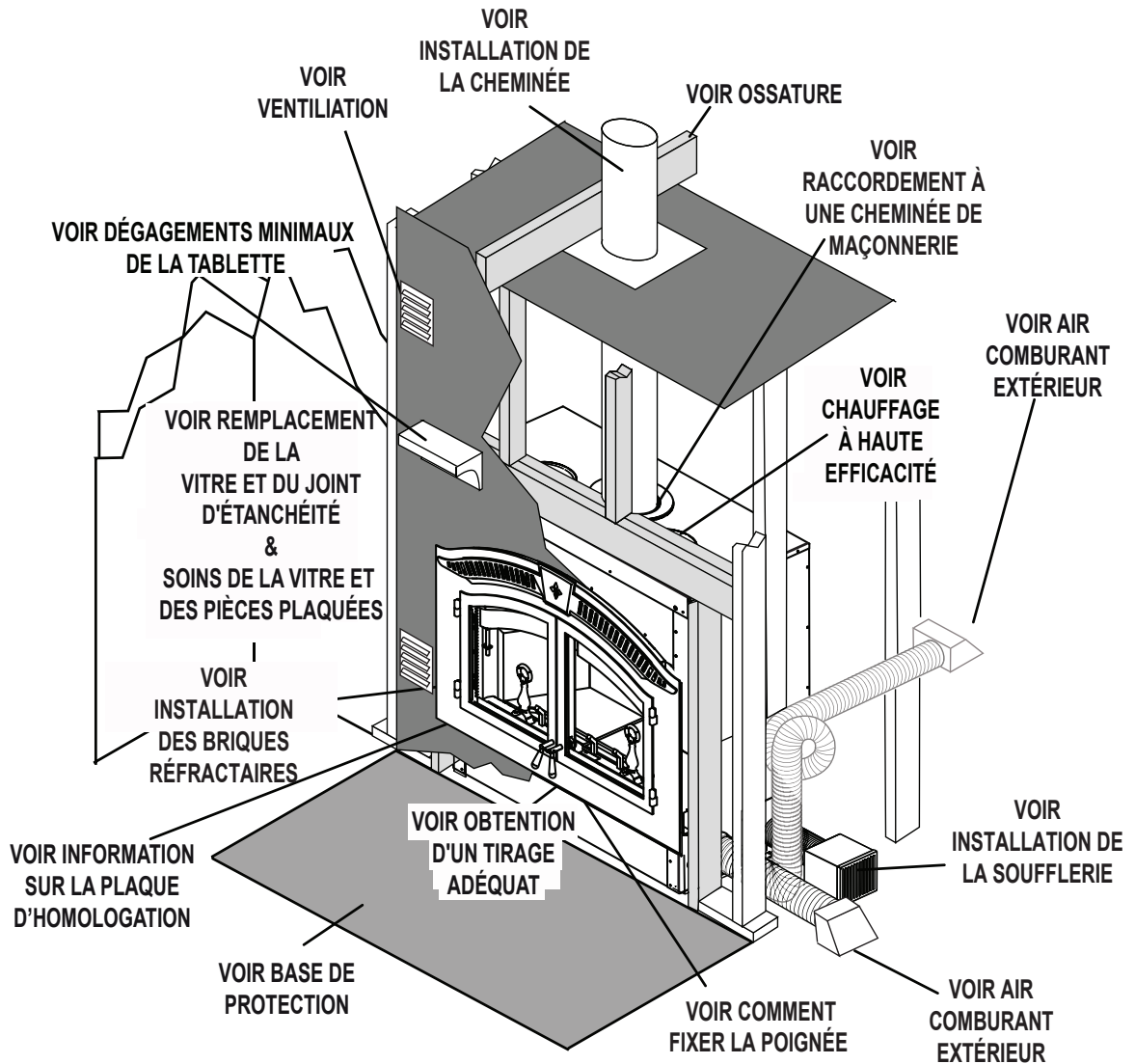
<p>INSULATED CHIMNEY MINIMUM CLEARANCES TO COMBUSTIBLES:</p> <p>BACK 0" (0 mm) TO STAND-OFFS HEADER 96"(2.44 m) FROM BASE OF UNIT CHIMNEY 2"(51 mm) REFER TO MANUFACTURER'S INSTALLATION INSTRUCTIONS. MANTEL 12"(305 mm) TO TOP EDGE OF FACEPLATE TOP FACING 96"(2.44 m) FROM BASE OF UNIT SIDE FACING 6"(153 mm) FROM SIDE OF UNIT ADJACENT SIDEWALL 21"(534 mm) TO EDGE OF FACEPLATE HEARTH PROTECTION 21"(534 mm) FROM FRONT OF UNIT HEARTH PROTECTION 8"(203 mm) FROM SIDES OF UNIT *TOP OF UNIT 120"(3.05 m) FROM BASE OF UNIT (ENCLOSURE CEILING)</p> <p>*FOR FURTHER INFORMATION SEE THE MANUFACTURER'S INSTALLATION AND OPERATING MANUAL.</p> <p>DO NOT REMOVE THIS LABEL</p> <p>Cement board and steel studs in enclosure cavity, no separate studs Metal Studs Face must have a minimum 7" height of cement board combustible facing and wood framing may extend 6" above the base of the unit Minimum enclosure height 7" Minimum enclosure ceiling height 7" Cement board from the side of the unit to combustibles Face metal studs, clad with cement board</p>		<p>NE RETIREZ PAS CETTE PLAQUE</p> <p>Panneaux de ciment et montants d'acier sur le plan de la face Panneau de ciment Montants d'acier La façade doit posséder un panneau de ciment d'une hauteur minimale de 7" La façade adjacente à la charpente de bois peut s'élever à 6" au-dessus de la base de l'appareil Hauteur minimale du plafond de l'enclosure de 7" Hauteur minimale du plafond de l'enclosure de 7" Panneau de ciment d'appareil aux matériaux combustibles Montants d'acier de façade recouverts de panneaux de ciment</p> <p>DÉGAGEMENTS MINIMAUX DE LA CHEMINÉE PRÉFABRIQUÉE STANDARD AUX MATÉRIELS COMBUSTIBLES</p> <p>ARRIÈRE 0" (0 mm) AUX ESPACES L'INTEAU 96"(2.44 m) DE LA BASE DE L'APPAREIL CHEMINÉE 2"(51 mm) RÉFÉREZ-VOUS AU MANUEL D'INSTRUCTIONS DU FABRICANT. TABLETTE 12"(305 mm) DU HAUT DE LA FAÇADE DESSUS 96"(2.44 m) DE LA BASE DE L'APPAREIL CÔTE 6"(153 mm) DU CÔTÉ DE L'APPAREIL MUR LATÉRAL ADJACENT 21"(534 mm) DU BORD DE LA FAÇADE PROTECTION DE PLANCHER 21"(534 mm) DU DEVANT DU FOYER PROTECTION DE PLANCHER 8"(203 mm) DES CÔTES DU FOYER *HAUT DE L'APPAREIL 120"(3.05 m) DE LA BASE DE L'APPAREIL (PLAFOND DE ENCLAVE)</p> <p>*POUR PLUS D'INFORMATIONS, CONSULTEZ LE MANUEL D'INSTRUCTIONS DU FABRICANT.</p>	
<p>AIR COOLED CHIMNEY MINIMUM CLEARANCES TO COMBUSTIBLES:</p> <p>BACK 0" (0 mm) TO STAND-OFFS HEADER 72"(2.83 m) FROM BASE OF UNIT CHIMNEY 2"(51 mm) REFER TO MANUFACTURER'S INSTALLATION INSTRUCTIONS. MANTEL 12"(305 mm) TO TOP EDGE OF FACEPLATE TOP FACING 84"(3.31 m) FROM BASE OF UNIT SIDE FACING 6"(153 mm) FROM SIDE OF UNIT ADJACENT SIDEWALL 21"(534 mm) TO EDGE OF FACEPLATE HEARTH PROTECTION 21"(534 mm) FROM FRONT OF UNIT HEARTH PROTECTION 8"(203 mm) FROM SIDES OF UNIT *TOP OF UNIT 84"(3.31 m) FROM BASE OF UNIT (ENCLOSURE CEILING)</p> <p>*FOR FURTHER INFORMATION SEE THE MANUFACTURER'S INSTALLATION AND OPERATING MANUAL.</p> <p>CHIMNEY REQUIREMENTS STARTER COLLAR NZAC-KT MUST BE USED IN CONJUNCTION WITH FMI BDM AIR COOLED CHIMNEY</p> <p>Cement board and steel studs in enclosure cavity, no separate studs Metal Studs Face must have a minimum 7" height of cement board combustible facing and wood framing may extend 6" above the base of the unit Minimum enclosure height 7" Minimum enclosure ceiling height 7" Cement board from the side of the unit to combustibles Face metal studs, clad with cement board</p>		<p>DÉGAGEMENTS MINIMAUX DE LA CHEMINÉE REFROIDIE À L'AIR AUX MATÉRIELS COMBUSTIBLES</p> <p>ARRIÈRE 0" (0 mm) AUX ESPACES L'INTEAU 72"(2.83 m) DE LA BASE DE L'APPAREIL CHEMINÉE 2"(51 mm) RÉFÉREZ-VOUS AU MANUEL D'INSTRUCTIONS DU FABRICANT. TABLETTE 12"(305 mm) DU HAUT DE LA FAÇADE DESSUS 84"(3.31 m) DE LA BASE DE L'APPAREIL CÔTE 6"(153 mm) DU CÔTÉ DE L'APPAREIL MUR LATÉRAL ADJACENT 21"(534 mm) DU BORD DE LA FAÇADE PROTECTION DE PLANCHER 21"(534 mm) DU DEVANT DU FOYER PROTECTION DE PLANCHER 8"(203 mm) DES CÔTES DU FOYER *HAUT DE L'APPAREIL 84"(3.31 m) DE LA BASE DE L'APPAREIL (PLAFOND DE ENCLAVE)</p> <p>*POUR PLUS D'INFORMATIONS, CONSULTEZ LE MANUEL D'INSTRUCTIONS DU FABRICANT.</p> <p>SPÉCIFICATIONS POUR LA CHEMINÉE LE COLLET DE DÉPART NZAC-KT DOIT ÊTRE UTILISÉ CONJONCTIVEMENT AVEC LA CHEMINÉE REFROIDIE À L'AIR FMI BDM</p> <p>W385-2005 / D</p>	

3.0 vue d'ensemble de l'installation

FR

! AVERTISSEMENT

- Cet appareil et ses composants sont conçus pour être installés et fonctionner comme un système. Toute modification ou substitution de composants autre que celles indiqués dans ces instructions d'installation aura pour effet d'annuler la liste ETL et risque d'annuler la garantie. Cela peut aussi créer une installation dangereuse. Lisez bien toutes les instructions avant de commencer votre installation et suivez-les à la lettre.



4.0 planification d'installation

FR

! AVERTISSEMENT

- Portez des gants, chaussures et des lunettes de protection.
- Suivez attentivement les instructions pour l'assemblage de la cheminée et des autres composants nécessaires à l'installation de l'appareil. Toute omission pourrait causer un incendie, particulièrement si des matériaux combustibles sont trop près de l'appareil ou de la cheminée et que des ouvertures d'air sont bloquées, empêchant la libre circulation de l'air de refroidissement.
- N'installez pas la prise d'air extérieur dans le garage. Les produits d'échappement provenant des moteurs à essence sont dangereux. N'installez pas la prise d'air extérieur dans un grenier, un sous-sol ou au-dessus du toit où d'autres appareils de chauffage, des ventilateurs et des cheminées évacuent ou tirent de l'air. Ces mesures réduiront les possibilités de refoulement de fumée ou une inversion du débit d'air. L'entrée de la prise d'air doit demeurer dégagée de feuilles, de débris, de glave ou de neige. Elle doit être dégagée lorsque l'appareil fonctionne afin que la pièce ne soit pas privée d'air, ce qui peut causer des refoulements de fumée ou une incapacité à maintenir un feu. Les refoulements de fumée peuvent aussi déclencher les détecteurs de fumée.
- Une pression négative dans la maison pourrait nuire au rendement de l'appareil.
- Afin d'éviter tout contact avec de l'isolant qui s'affaisse, l'appareil ne doit pas être installé contre un coupe-vapeur ou de l'isolant à découvert. Une surchauffe localisée peut survenir et un incendie pourrait s'ensuivre.
- N'utilisez pas de compromis de fortune lors de l'installation. N'obstruez pas, entièrement ni partiellement, les ouvertures d'air, les grilles ou les persiennes. N'ajoutez pas de hotte.
- Pour prévenir des blessures, gardez vos outils à main en bon état, affutez les tranchants et assurez-vous que les manches sont solides. En tout temps, conservez l'espace vide minimal requis à l'enceinte afin de prévenir les incendies.
- Vérifiez avec les responsables de la construction locale pour les permis requis pour l'installation de cet appareil et notifié votre compagnie d'assurance avant de procéder.

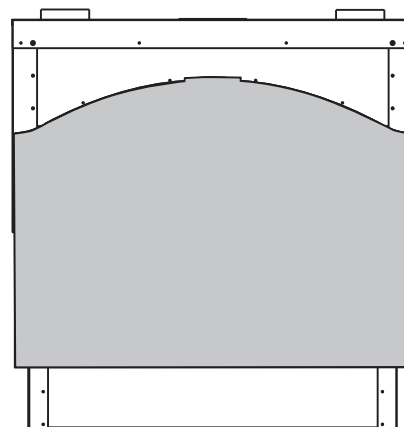
! AVERTISSEMENT

- N'installez pas l'appareil dans un espace ayant moins de 7 pieds (2,1m) de hauteur (du plafond de l'enceinte au bas de l'appareil, excluant la hauteur de la base de protection).

L'appareil est expédié avec une plaque de montage dont la largeur dépasse de 1/8" (3,2mm) le haut, le bas et les côtés de la façade. Lors de l'installation de la façade, laissez la plaque de montage en place et utilisez-la comme gabarit.

important:

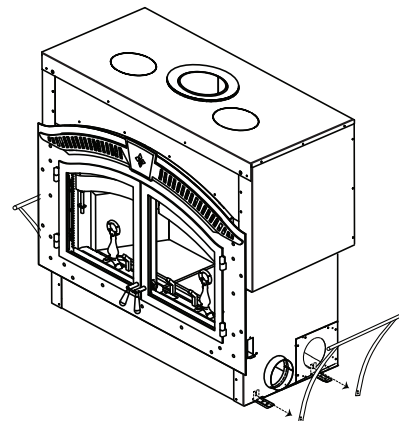
Cet appareil incluant tous ses accessoires pèse 850lbs (386kg). Assurez-vous que le plancher peut supporter adéquatement l'appareil, la cheminée, et le matériau de façade. Certains matériaux peuvent peser des milliers de livres.



4.1 emplacements et dégagements

Dans toutes les installations, nous vous recommandons de fixer l'appareil au plancher.

En vous servant de l'ouverture de la porte comme point de référence, placez des cales sous l'appareil jusqu'à ce qu'il soit de niveau. Retirez les poignées de levage et jetez-les. Dépliez les pattes vers le bas et fixez l'appareil au plancher.



4.2 ouvertures de ventilation

note:

Afin d'éviter les risques d'incendie et/ou les blessures, l'enceinte de l'appareil doit être fournie d'une circulation d'air suffisant.

Installez une grille d'aération (ouvertures minimales de 40 pouces carrés) au niveau du plancher et une autre au niveau du plafond de l'enceinte. Ces grilles ne doivent pas restreindre la circulation de la chaleur de plus de 25%. N'installez pas l'appareil dans un espace ayant moins de 7 pieds de hauteur (du plafond de l'enceinte au bas de l'appareil, excluant la hauteur de la base de protection). L'emplacement des fenêtres et des portes, ainsi que la circulation dans la pièce où l'appareil est installé doivent être pris en considération. Si possible, vous devriez choisir un emplacement où la cheminée passera dans la maison sans que vous ayez à découper un plancher ou une solive de toit.

Pour plus d'informations sur les grilles d'aération ou les ouvertures de ventilation, voir la section « installation avec une cheminée préfabriquées standard ».

4.3 air comburant extérieur

note:

Intégrez une boucle verticale ou un piège à chaleur dans les gaines flexibles de prise d'air afin de réduire la circulation de l'air lorsque l'appareil ne fonctionne pas.

Il est conseillé d'isoler les gaines de prise d'air dans les climats plus froids afin d'éviter la condensation.

Le modèle NZ6000-1 de Napoléon® achemine l'air extérieur directement dans l'appareil à travers les ouvertures situées du côté gauche et droit de l'appareil.

Décidez de l'emplacement le plus approprié pour les prises d'air et les hottes, lesquelles peuvent être installées au-dessus ou en dessous du niveau du plancher.

Les conduits d'air extérieur et les hottes doivent être installés. Fixez et scellez les conduits d'air extérieur aux collets de l'appareil à l'aide de 3 vis à métal et de scellant à haute température.

La course verticale mesure entre :

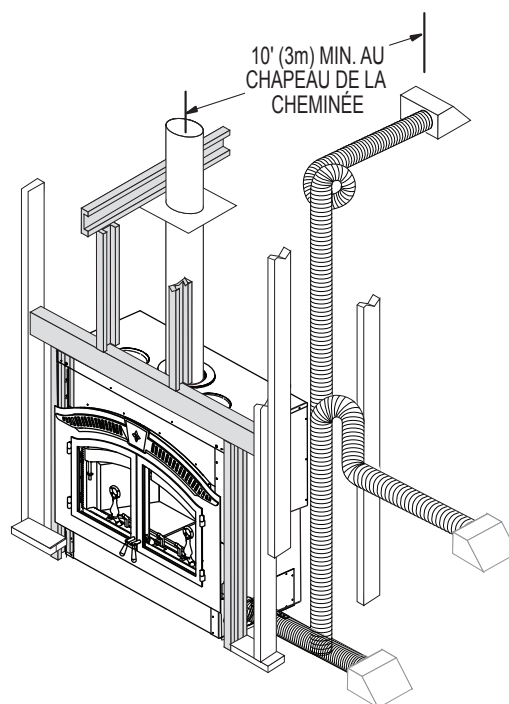
- 6' (1,8m) et 10' (3m) max.
- 3' (0,9m) et 6' (1,8m)
- 1' (0,3m) et 3' (0,9m)
- 0' (0m) et 1' (0,3m)

La course horizontale peut mesurer :

- 5' (1,5m)
- 15' (4,6m)
- 20' (6,1m)
- 25' (7,6m)

Composants inclus avec l'appareil :

- Deux événements de 10' (3m) de longueur. Si vous ajoutez d'autres événements, utilisez un raccord et scellez les joints.
- Deux hottes de prise d'air.



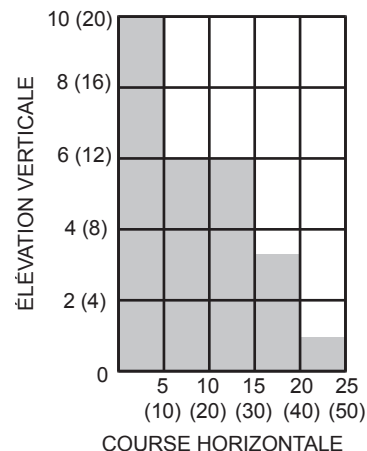
plantification d'installation

FR

La hauteur verticale de la gaine flexible de prise d'air ne doit pas excéder les 2/3 de la hauteur de la cheminée. Si vous devez ajouter une longueur de gaine flexible, cette dernière peut être doublée en augmentant son diamètre de 6" (152mm) à 8" (203mm). Dans ce cas, installez un raccord d'évasement de 6" (152mm) à 8" (203mm) sur la hotte et une réduction sur l'appareil. Les valeurs entre parenthèses correspondent à une gaine flexible d'un diamètre de 8" (203mm).

Les terminaisons de conduit doivent être installées de façon à éviter les blocages (i.e. accumulations de neige). Nous vous recommandons de les placer à 4' (1,2m) au-dessus du niveau du sol. Faites un trou de 6 1/2" (165mm) dans un mur extérieur de la maison. De l'extérieur, placez la hotte de prise d'air dans le trou, le côté ouvert vers le bas. Scellez avec du calfeutrage et fixez

GAINES DE LA PRISE D'AIR



4.4 protection du plancher

4.4.1 pare-braises et base de protection

! AVERTISSEMENT

- Les bases de protection doivent être installées uniquement comme décrit, afin d'empêcher les matériaux combustibles dissimulés d'être exposés à de hautes températures. Les pare-braises empêchent toute particule chaude ou en combustion de tomber de façon accidentelle directement sur des surfaces combustibles, dans l'éventualité où la bâtiment bougerait et que la construction d'origine serait dérangée.

Une base de protection incombustible de 61 1/2" (156,2cm) x 20" (50,8cm) (i.e. brique, pierre ou carreaux de céramique) doit être installée. Le base de protection doit étendre 20" (50,8cm) devant le plaque de visage quand il n'est pas élevé (voir les codes de bâtiment locaux). Le foyer doit étendre au moins 6" (152mm) aux deux côtés de l'appareil [61 1/2" (156,2cm)].

La base de protection doit se prolonger d'un minimum de 20" (50,8cm) à l'avant de l'appareil; toutefois, si elle est surélevée d'un minimum de 6 1/2" (165mm), cette distance peut être réduite à un minimum de 18" (45,7cm).

La base de protection doit se prolonger d'un minimum de 6" (152mm) de chaque côté de l'appareil [61 1/2" (156,2cm)].

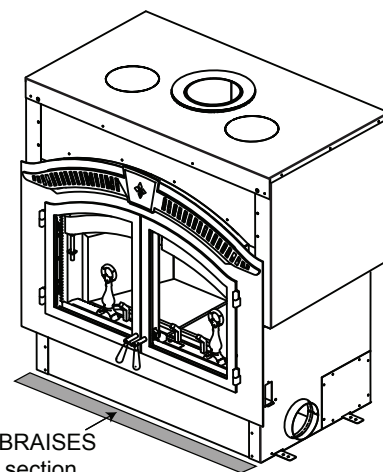
La base de protection doit consister d'un panneau de ciment (ou l'équivalent) d'un minimum de 1" (25mm) d'épaisseur (ou équivalent) plus une tuile de céramique de 1/4" (6,4mm).

Assurez-vous que l'espace entre l'appareil et la base de protection incombustible est scellé avec un coulis de sable/ciment ou recouvert d'un pare-braises (ou les deux) afin d'éviter que des étincelles et des braises ne tombent dans cette zone.

Des bases de protection surélevées doivent être construites avec des matériaux incombustibles comme des blocs de ciment ou des briques.

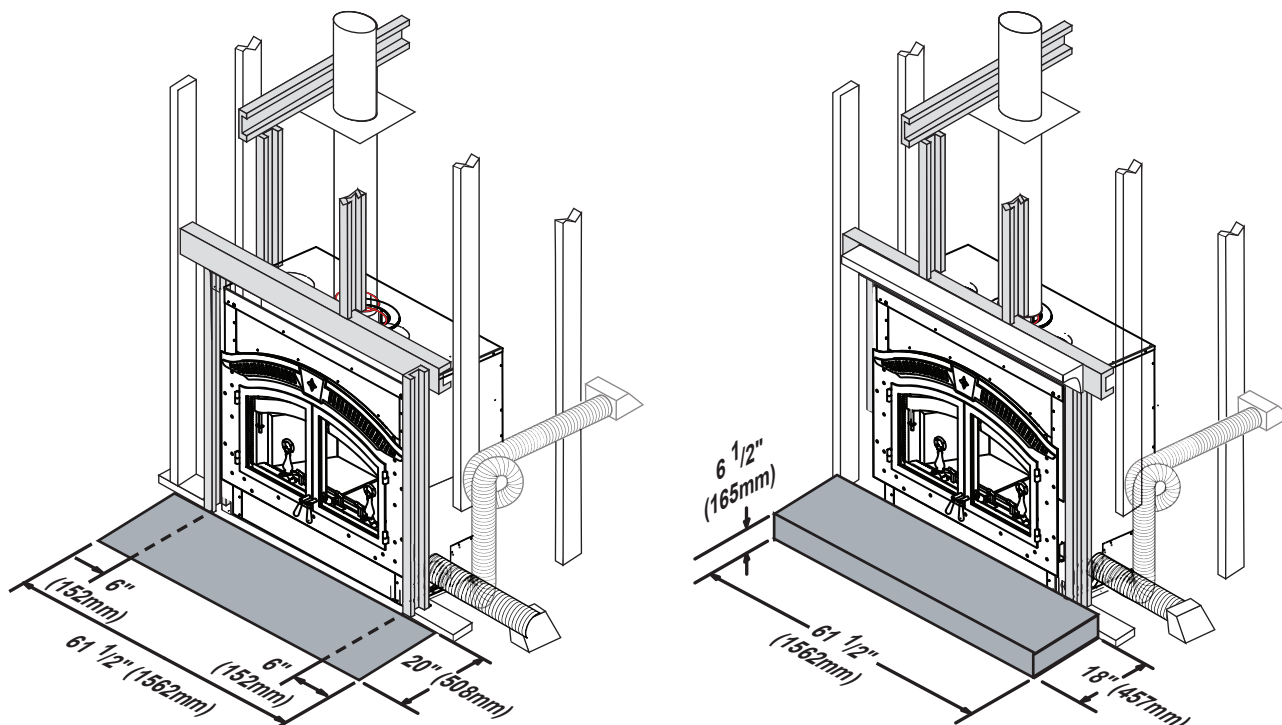
Bien que l'appareil puisse être installé directement sur le plancher, une base de protection incombustible est requise à l'avant de l'appareil. Cette base ne doit pas être plus élevée que le bas de la façade de l'appareil. Il serait donc conseillé d'installer l'appareil sur une plate-forme.

Une base de protection surélevée conjointement avec un appareil installé sur une plate-forme sont conseillés pour faciliter le chargement du bois et avoir une meilleure visibilité du feu.



PARE-BRAISES
(voir la section
« Exemples de bases
de protection »)

4.4.2 base de protection



Une base de protection incombustible acceptable de 61 1/2" (156,2cm) x 20" (50,8cm) (i.e. briques, pierres ou tuiles de céramique) doit être installée devant l'appareil. La base de protection doit se prolonger de 20" (50,8cm) à l'avant de la façade lorsqu'elle n'est pas surélevée (voir les codes du bâtiment locaux). La base de protection doit se prolonger d'un minimum de 6" (152mm) de chaque côté de l'appareil [61 1/2" (156,2cm)].

La base de protection doit consister d'un panneau de ciment (ou l'équivalent) d'un minimum de 1" (25mm) d'épaisseur plus une tuile de céramique de 1/4" (6,4mm).

Assurez-vous que l'espace entre l'appareil et la base de protection incombustible est scellé avec un coulis de sable/ciment ou recouvert d'une bande métallique (ou les deux) afin d'éviter que des étincelles et des braises ne tombent dans cette zone.

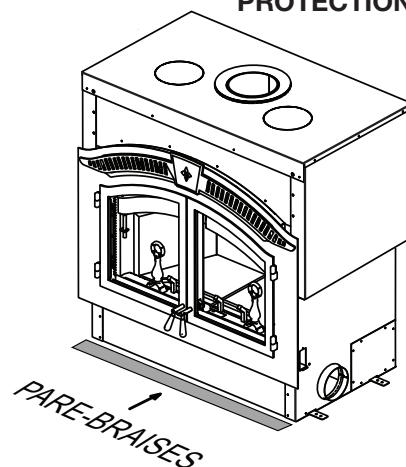
BASE DE PROTECTION

Des bases de protection surélevées doivent être construites avec des matériaux incombustibles comme des blocs de ciment ou des briques.

Bien que l'appareil puisse être installé directement sur le plancher, une base de protection incombustible est requise à l'avant de l'appareil. Cette base ne doit pas être plus élevée que le bas de la façade de l'appareil. Il serait donc conseillé d'installer l'appareil sur une plate-forme.

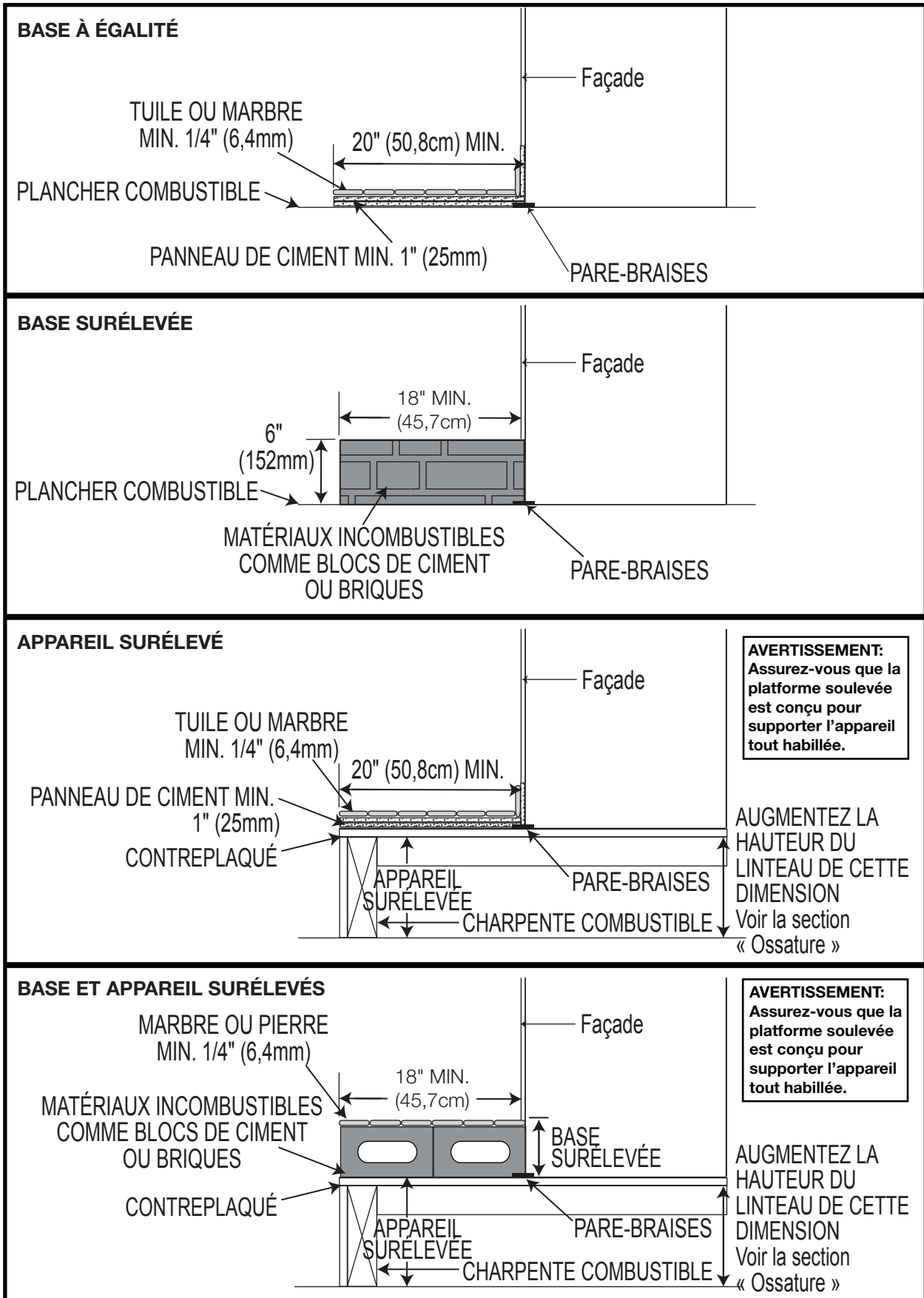
Les bases de protection d'une hauteur minimale de 6 1/2" (165mm) doivent se prolonger d'un minimum de 18" (45,7cm) à l'avant.

**VOIR LES
EXEMPLES
DE BASES DE
PROTECTION**



plantification d'installation

FR 4.4.3 exemples de bases de protection



! AVERTISSEMENT

- Ne jamais installer un conduit de raccordement à paroi simple dans une enceinte. Les températures plus élevées de ce conduit peuvent irradier suffisamment de chaleur aux matériaux combustibles pour causer un incendie.
- Pour éviter un risque d'incendie, vous devez suivre toutes les instructions à la lettre, incluant les dégagements entre le système de conduits et l'enceinte. Afin de protéger les pièces exposées aux intempéries contra la corrosion, nous conseillons que le dessus de l'enceinte soit peint avec une peinture antirouille.
- Conservez un dégagement minimal de 2" (51 mm) à toutes les pièces du système de conduits en tout temps. Ne pas conserver ce dégagement de 2" (51 mm) causera un incendie.
- Des instructions détaillés sur l'installation du dessus de l'enceinte, du collet de solin, et du chapeau sont incluses avec ces pièces.
- Des espaceurs coupe-feu doivent être utilisés lors que le système de conduits traverse un plafond/plancher.
- La cheminée doit être en bon état et ne pas être fêlée. Nettoyez la cheminée au moins deux fois par année et lorsque nécessaire.

Une base de protection surélevée conjointement avec un appareil installé sur une plate-forme sont conseillés pour faciliter le chargement du bois et avoir une meilleure visibilité du feu.

5.1 cheminée

note:

Tous les raccordements d'évacuation doivent se conformer aux instructions d'installation du fabricant de la cheminée.

Cet appareil a été testé selon les normes CAN/ULC S610 et UL 127 pour les foyers préfabriqués. Cet appareil est approuvé pour des installations à dégagement zéro aux surfaces combustibles et est certifié pour brûler du bois de chauffage uniquement.

Toute cheminée homologuée selon ces normes peut être installée. En conformité avec ces normes, l'appareil peut aussi être raccordé à toute cheminée homologuée selon les normes CAN/ULC-S604 et CAN/ULC-S629 au Canada ou UL-103HT aux États-Unis peut être installée.

note:

N'utilisez que la diamètre de cheminée spécifiée sur la plaque d'homologation de l'appareil.

L'installation des différents systèmes de cheminée préfabriquée devra se conformer aux instructions d'installation du fabricant de la cheminée. Une plaque d'ancrage et une joint d'étanchéité du plaque d'ancrage adéquate, provenant du fabricant de la cheminée, est requise pour commencer leur système. Utilisez le joint d'étanchéité à haute température fourni pour sceller l'espace entre la plaque d'ancrage et le dessus de l'appareil. Systèmes de cheminée refroidi par air ne sont pas recommandés dans les régions plus froides.

Pour obtenir les instructions d'installation complètes, voir les instructions fourni avec votre with systèmes de cheminée fabriqués.

Une cheminée servant d'évacuation à un appareil ne doit pas servir pour aucun autre appareil. La hauteur minimale de la cheminée à partir du dessus de l'appareil est de 15 pieds (4,6m). La hauteur maximale de la cheminée à partir du dessus de l'appareil est de 34 pieds (10,4m).

Les systèmes de cheminée préfabriqués conçus pour des résidences de trois familles ou plus doivent être enchâssés au-dessus de la pièce où se trouve l'appareil. Ce coffrage doit avoir un indice de résistance au feu égal ou supérieur à celui du plancher ou du toit qu'il traverse.

La cheminée ne devrait pas être construite avec un angle de déviation excédant 45° au Canada et 30° aux États-Unis.

Assurez-vous que les dégagements minimaux sont conservés.

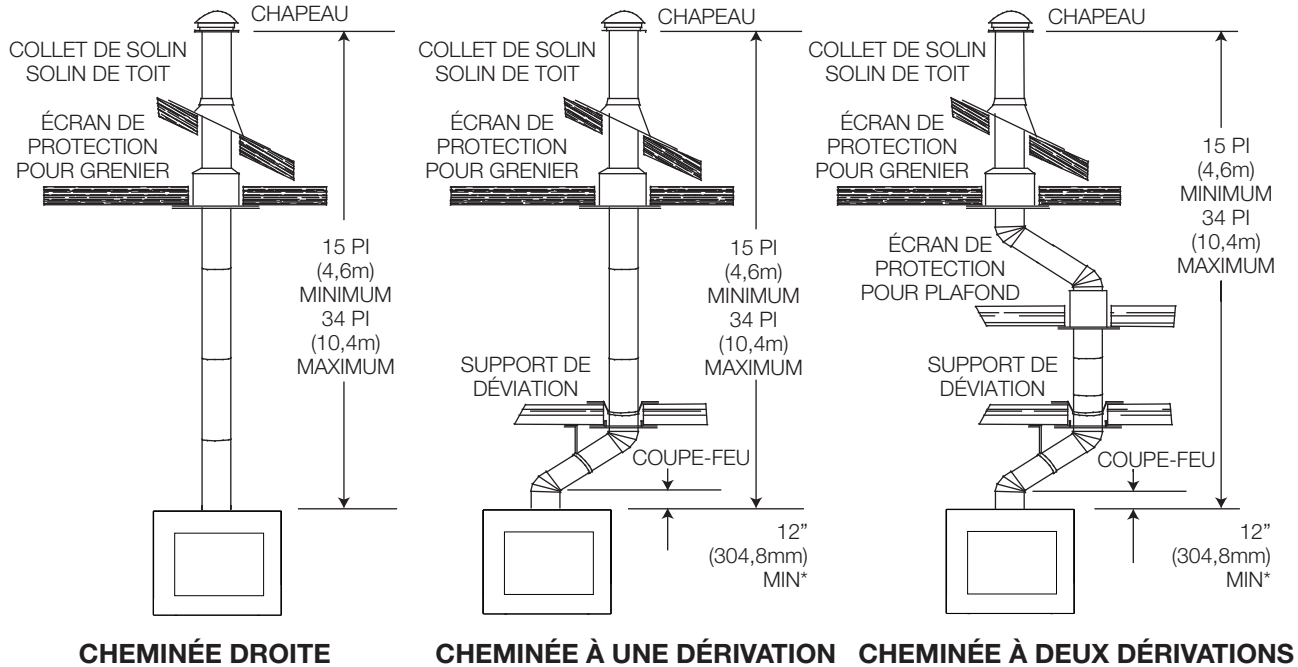
Les parties de la cheminée qui franchissent des espaces accessibles devront toujours être enchâssées afin d'éviter tout contact personnel et, par conséquent, tout dommage à la cheminée.

La cheminée doit être supportée à des intervalles de 20 pieds (6.1m) maximum. Chaque 20 pieds de cheminée peut peser jusqu'à environ 200lb (90.7kg).



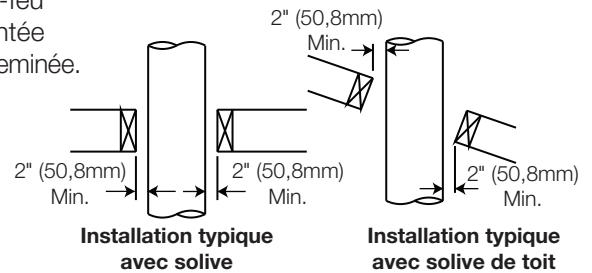
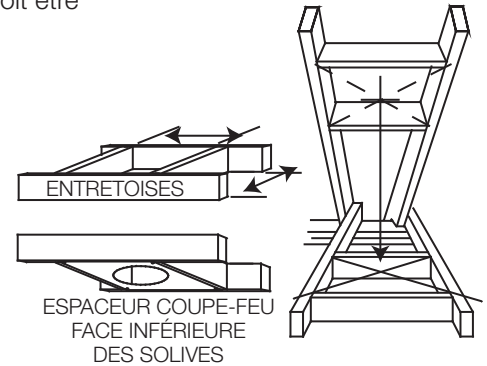
installation

FR 5.2 installation typique de la cheminée



* La première déviation du conduit, plus proche du haut de l'appareil doit être à une distance minimale de 12" (304,8mm) du dessus de l'appareil.

- Mettez l'appareil en place. Essayez de positionner la buse de l'appareil à mi-chemin entre deux solives pour ne pas être obligé de les couper. Utilisez du fil à plomb pour aligner le centre de la buse.
- Découpez et charpentez une ouverture dans le plafond afin de maintenir un dégagement minimal de 2" (50,8mm) entre l'extérieur de la cheminée et les matériaux combustibles. **NE REMPLISSEZ CET ESPACE AVEC AUCUN TYPE DE MATÉRIAU!** Fixez des entretoises entre les solives pour assurer un support additionnel. Des espaceurs coupe-feu doivent être fixés au bas de chaque ouverture charpentée dans un plancher ou un plafond par lequel traverse la cheminée.
- Tenez un fil à plomb à partir du dessous du toit pour déterminer où doit se trouver l'ouverture du toit. Découpez et charpentez une ouverture dans le toit tout en conservant le dégagement de 2" (50,8mm).

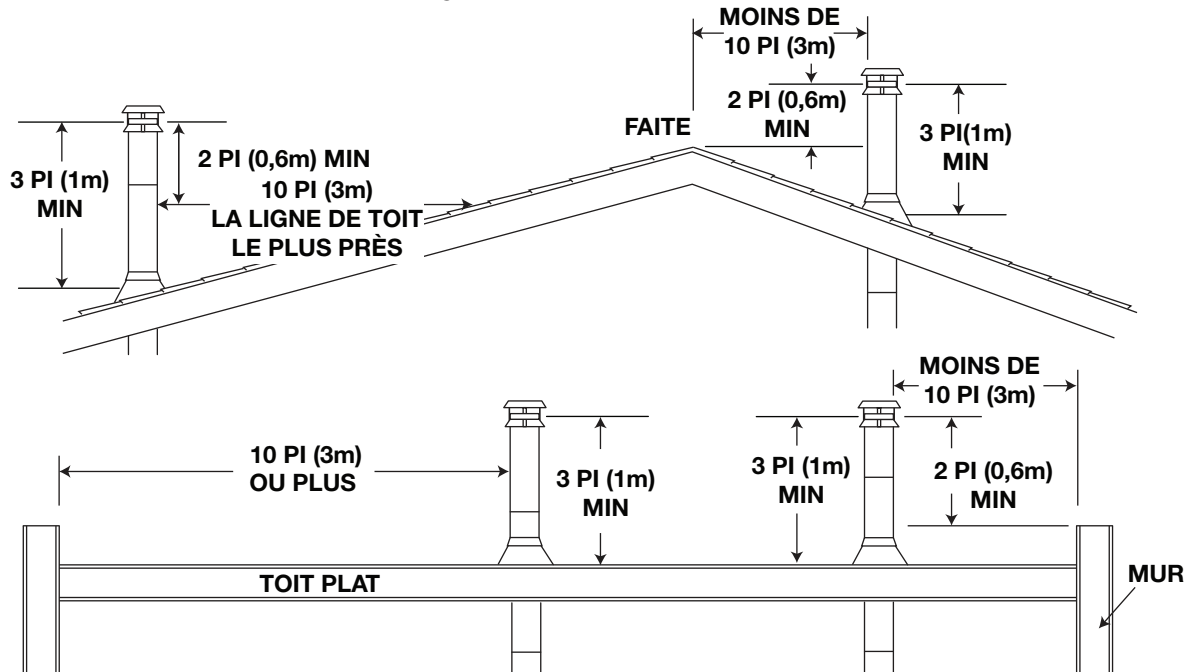


note:

Des coudes de 30° ou 45° peuvent être installés bout à bout.

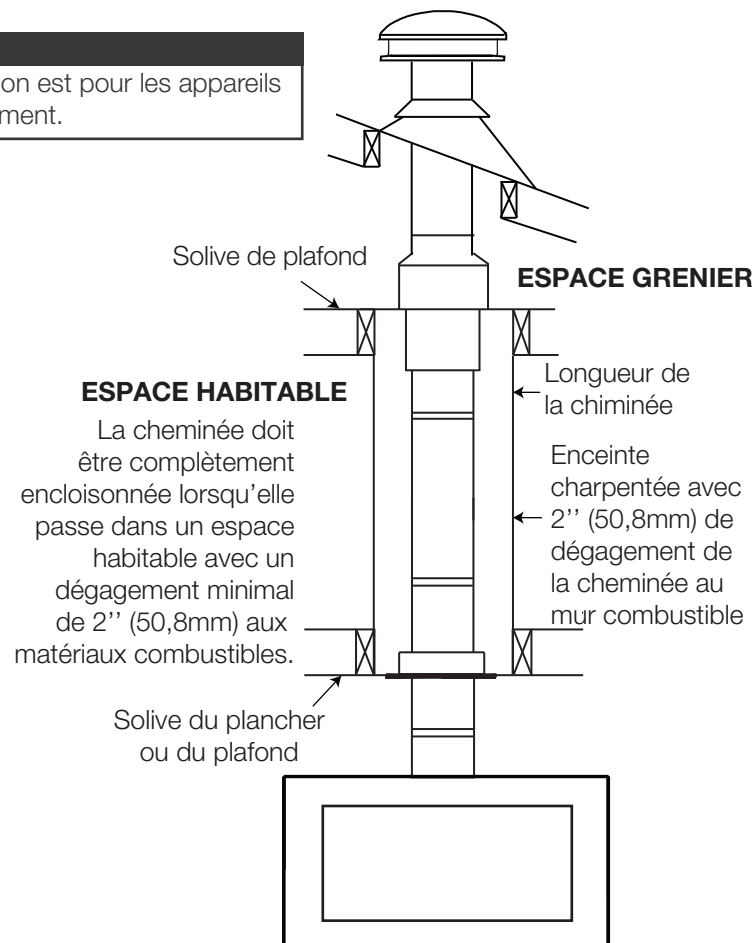
5.3 ajout de sections de cheminée

Ajoutez des sections de cheminée, selon les instructions d'installation du fabricant. Si la cheminée devra dépasser par l'espace grenier un écran protecteur de chevrons ou une bouclier d'isolation du grenier est requis. La cheminée doit dépasser le toit d'au moins 3' (0,9m) de son point de contact avec la toiture, et 2' (0,6m) de tout mur, toit ou édifice se trouvant à l'intérieur d'une distance horizontale de 10' (3,1m). Si la cheminée dépasse le toit de plus de 5' (1,5m), elle devra être fixée au toit avec un support de toit ou des brides de sécurité. Un chapeau de cheminée devra être installé afin d'éviter des dommages internes et la corrosion.



remarque:

Cette illustration est pour les appareils de bois seulement.



installation

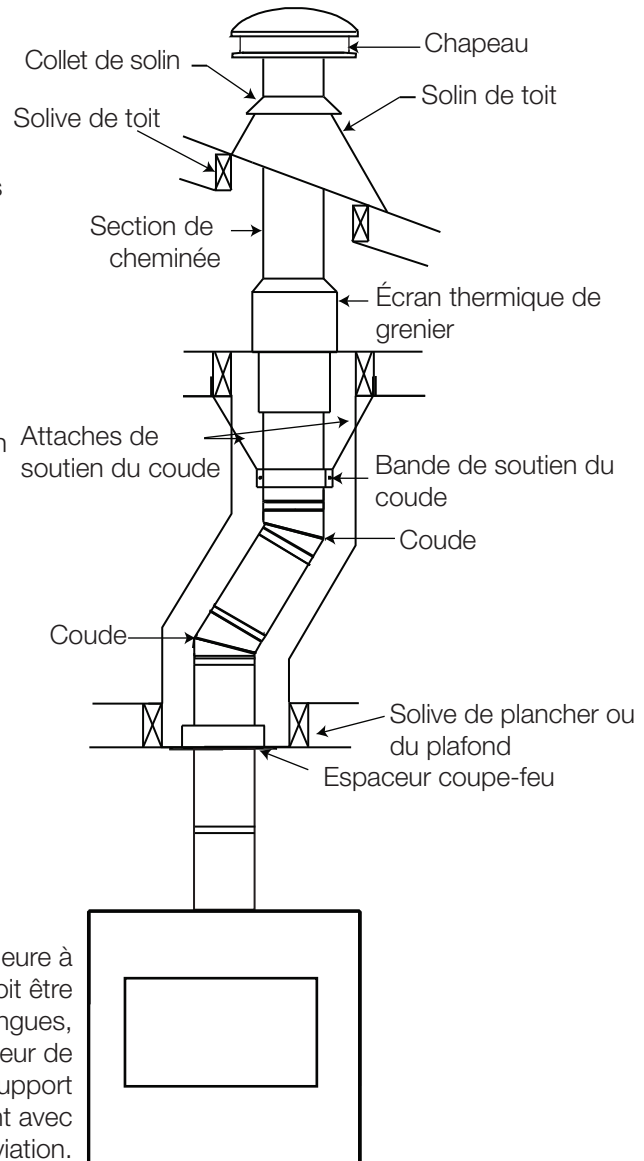
FR 5.4 installation de la cheminée avec déviation

! AVERTISSEMENT

- Les conduits de raccordement installés entre une déviation et un coude de retour requièrent un support afin de réduire la charge excentrée et prévenir toute séparation entre les sections de conduit aux joints.
- La cheminée ne devrait pas être construite avec un angle de déviation excédant 45° au Canada et 30° aux États-Unis. Ne combinez pas de coudes de manière à excéder ces angles.

La première déviation du conduit la plus proche au dessus de l'appareil doit être à une distance minimale de 12" (30,5cm) du dessus de l'appareil.

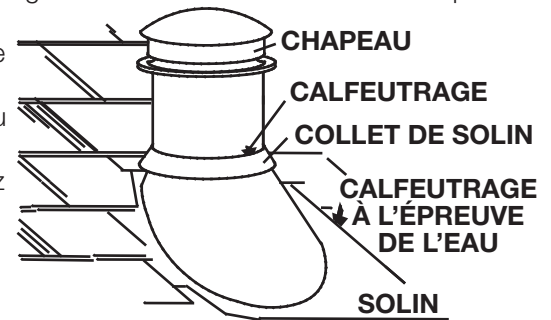
Fixez un coude à la section de cheminée dans la direction de la déviation. Fixez selon les instructions du fabricant de la cheminée. Les sections de cheminée doivent être adéquatement fixer un à l'autre pour assurez qu'elles ne se séparent pas. Pour une déviation minimale, fixez un coude de retour au premier. Pour obtenir des déviations plus longues, vous pouvez installer n'importe qu'elle longueur du tuyau disponible entre les coudes. Des supports doivent être utilisés sur la première section verticale de cheminée après un coude de retour.



Si la longueur de la déviation est supérieure à 36" (91,4cm), un support intermédiaire doit être utilisé. Pour obtenir des déviations plus longues, vous pouvez installer n'importe quel longueur de tuyau disponible entre les coudes. Le support intermédiaire doit être utilisé conjointement avec le support de déviation.

5.5 installation du solin et du collet de solin

Les instructions d'installation suivantes sont générales pour l'installation du solin autour de la cheminée. L'installation de tous les types de systèmes construits en usine doivent être installés en conformité avec les instructions d'installation du fabricant de la cheminée. Enlevez les clous des bardeaux sur le dessus et les côtés de la cheminée. Placez le solin par-dessus le tuyau d'évacuation et glissez-le sous les côtés et le bord supérieur des bardeaux. Assurez-vous que le tuyau est bien centré dans le solin en laissant une marge de 3/4" (19,1mm) tout autour. Fixez-le au toit sur le dessus et les côtés. **NE CLOUEZ PAS** à travers la partie inférieure du solin. Imperméabilisez-le en le scellant avec du calfeutrage. Si possible, recouvrez les côtés et les bords supérieurs du solin avec des matériaux de couvertures. Appliquez un joint de calfeutrage à l'épreuve de l'eau autour de l'évacuation à 1" (25,4mm) au-dessus du haut du solin et glissez le collet de solin jusqu'à la ligne de calfeutrage. Fixez un chapeau vertical au sommet de la dernière section de l'évacuation.



5.6 raccordement à une cheminée de maçonnerie

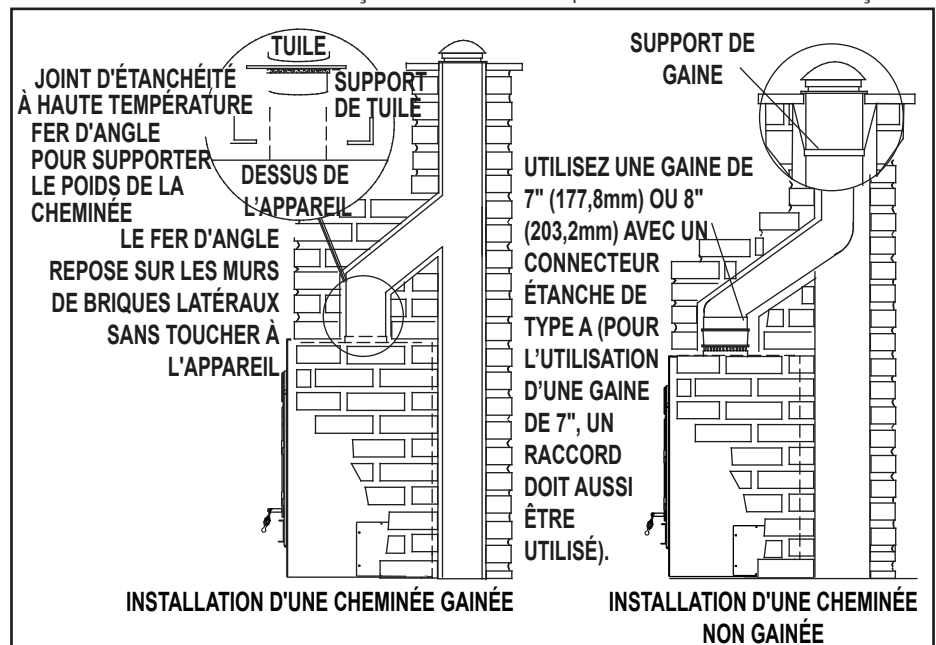
L'appareil peut être raccordé aussi bien à une cheminée en maçonnerie doublée qu'à une cheminée en maçonnerie non doublée.

SI LA CHEMINÉE EST DOUBLÉE:

Les tuiles doivent être d'argile vitrifiée et mesurer 8" (203,2mm) carré ou 8" (203,2mm) rond (diamètres intérieurs), ou 8" x 12" [(203,2mm) x (304,8mm)] avec une hauteur minimale de 15' (4,6m) au-dessus de l'appareil.

Les tuiles rondes de 8" (203,2mm) de diamètre sont recommandées.

L'installation doit se conformer aux exigences des normes nationales et locales.



SI LA CHEMINÉE N'EST PAS DOUBLÉE:

Une gaine en acier inoxydable homologuée soit aux normes ULC-S640M au Canada ou UL-1777 aux États-Unis doit être utilisée. Les gaines pour nouvelles cheminées en maçonnerie peuvent être utilisées pour raccorder l'appareil à la cheminée. La gaine doit être continue de l'appareil au chapeau de la cheminée et être installée uniquement selon les instructions du fabricant.

Dans les deux cas, la structure de la cheminée doit être supportée par un fer d'angle ancré aux murs de maçonnerie. Pour construire une cheminée en maçonnerie, il est essentiel d'utiliser des briques de 3 1/2" (88,9mm), solidement cimentées et entourant complètement le conduit de la cheminée. Assurez-vous qu'il n'y a pas de fuites.

En aucun cas l'enceinte en maçonnerie ne devra être supportée par l'appareil. Laissez un espace vide 1" (25,4mm) pour l'expansion. Utilisez le support de tuile; consultez votre détaillant local autorisé.

note:

Le support de tuile doit être suspendu aux linteaux appropriés.



POUR UNE CHEMINÉE EN MAÇONNERIE, UTILISEZ UN SUPPORT DE TUILE. POUR UNE CHEMINÉE PRÉFABRIQUÉE, UTILISEZ UNE PLAQUE D'ANCRAGE.

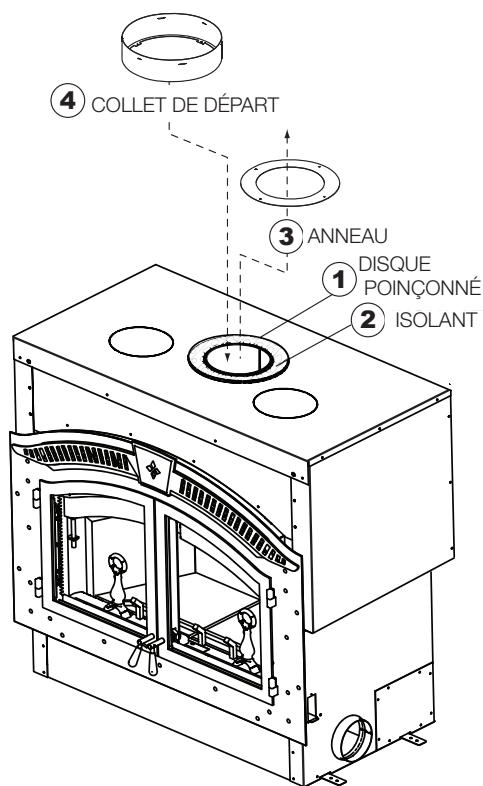
installation

FR 5.7 installation d'une cheminée refroidie à l'air

- A. Retirez le disque poinçonné.
- B. Découpez l'isolant afin d'accéder à l'anneau.
- C. Retirez l'anneau fixé par quatre vis.
- D. Glissez le collet de départ à travers l'isolant et fixez à l'aide des quatre vis retirées à l'étape C.
- E. Fixer le conduit intérieur de la cheminée au collet de 8" (203mm) de l'appareil en utilisant 3 vis fournies avec le collet de départ (W170-0098).
- F. Suivez les instructions du fabricant de la cheminée pour installer la cheminée .

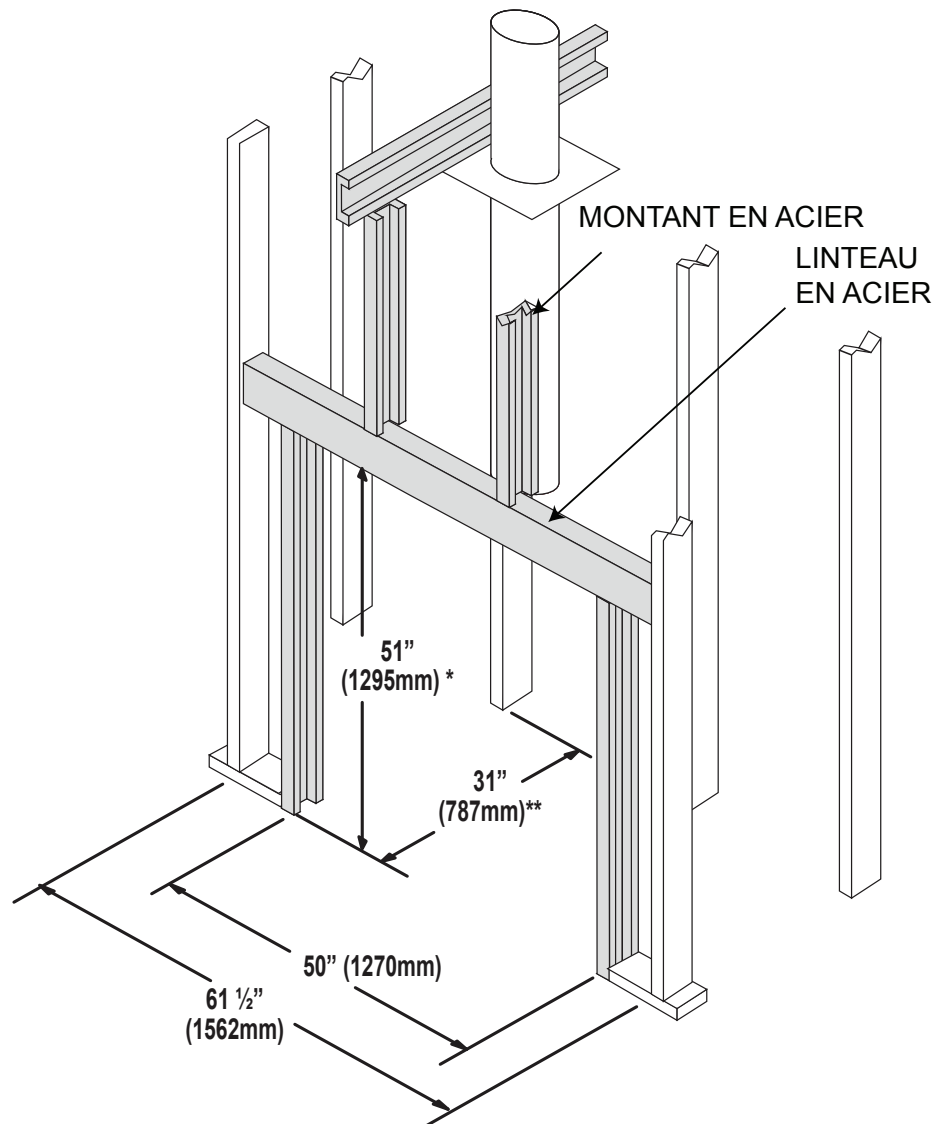
Utilisez uniquement la marque et le type de cheminée suivants.

COMPOSANTS DE LA CHEMINÉE	FMI 8DM
Section de cheminée de 12" (305mm)	12-8DM
Section de cheminée de 18" (457mm)	18-8DM
Section de cheminée de 24" (610mm)	24-8DM
Section de cheminée de 36" (914mm)	36-8DM
Section de cheminée de 48" (1219mm)	48-8DM
Espaceurs	30E-8DM
Solin	6F8 ou 12F8
Chapeau de cheminée	RTL-8HT
Support de toit	38 RS
Coupe-feu	FS-8DM
COMPOSANTS DE LA CHEMINÉE	WOLF STEEL
Collet de départ	NZAC-KT



! AVERTISSEMENT

- Afin d'éviter la possibilité que de l'isolant ou un coupe-vapeur d'entrent en contact avec l'extérieur du caisson, il est conseillé d'installer l'appareil contre des murs finis (i.e. panneau de gypse), comme tout autre mur de la maison. Ceci assurera que le dégagement aux matériaux combustibles est maintenu.
- Un dégagement minimum de 6" (152mm) aux matériaux combustibles est requis de chaque côté de l'appareil (voir la section « dégagements minimaux aux matériaux combustibles »).
- N'emballez pas les espaces d'air requis avec de l'isolant ou d'autres matériaux.
- Ne construisez pas d'étagères ou d'armoires dans l'espace au-dessus de l'appareil.
- Les objets placés devant l'appareil doivent être gardés à une distance d'au moins 48" (121,9cm) de la face vitrée de l'appareil.

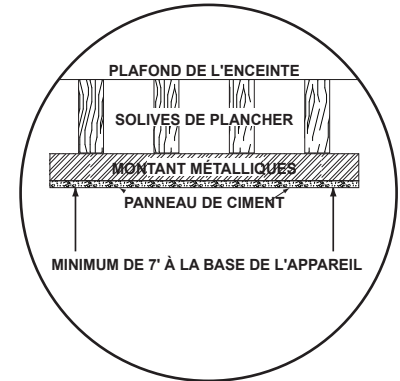
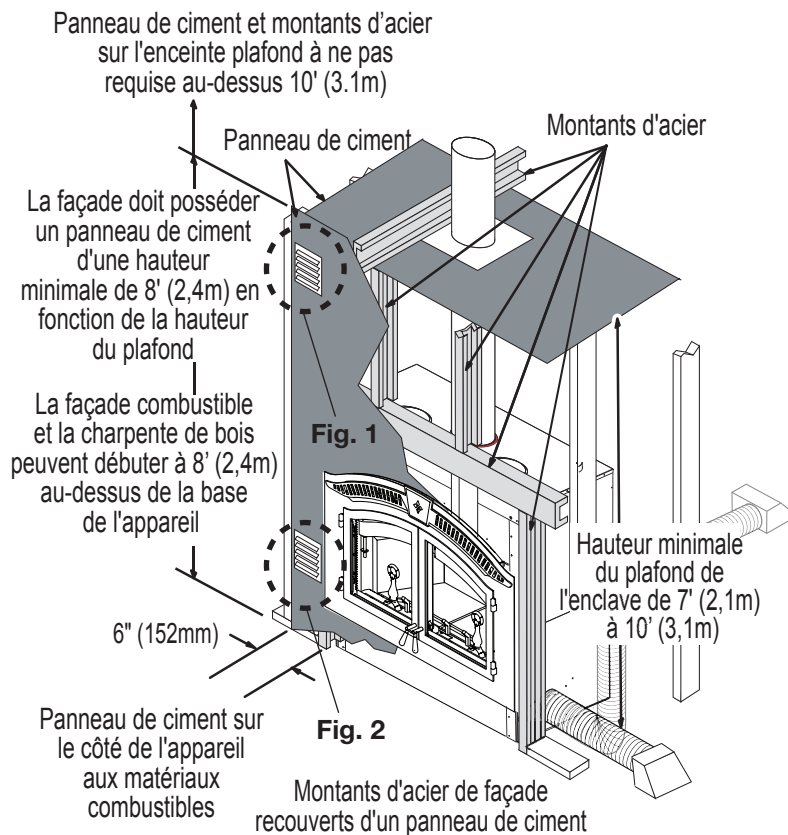


* Prévoyez l'épaisseur du plancher fini et de la base de protection lorsque vous déterminez ces dimensions.

** Lors de la construction de l'enceinte, prenez en compte l'épaisseur des matériaux de finition pour maintenir les dégagements.

ossature

FR 6.1 installation avec une cheminée préfabriquée standard



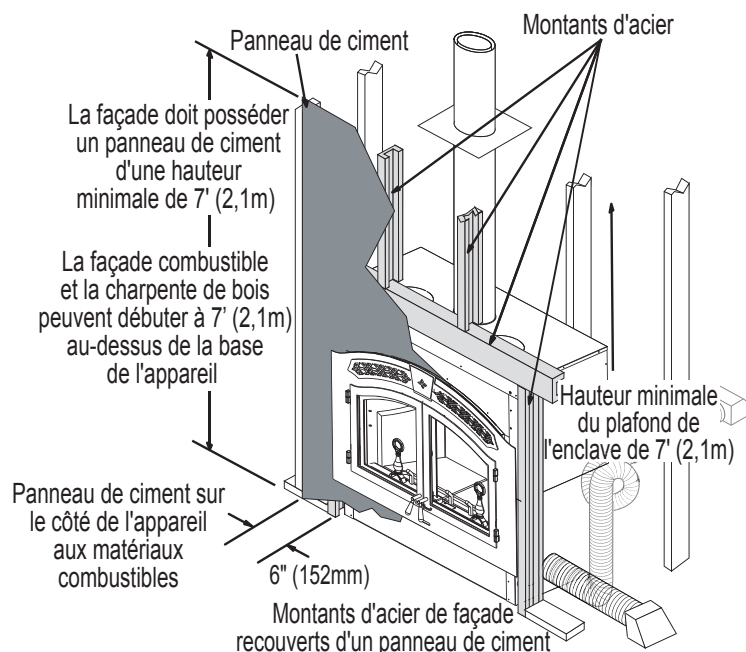
Le devant de l'appareil et le plafond de l'enceinte doivent être encadrés par des montants métalliques de 2x4.

La hauteur minimale du plafond de l'enceinte est de 7 pieds. Des matériaux incombustibles (panneau de ciment et montants métalliques) doivent être utilisés.

note:

Pour plus d'information sur les ouvertures de ventilation (**Fig. 1 et Fig. 2**), voir la section « ouvertures de ventilation ».

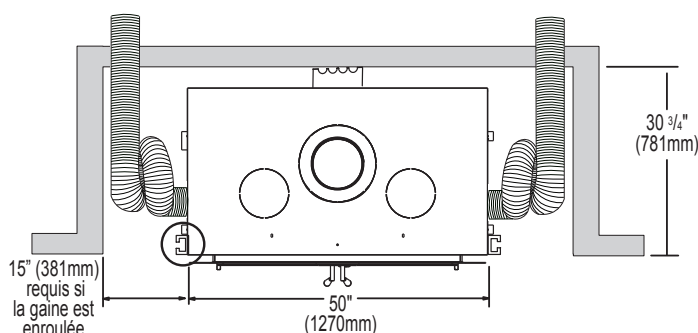
6.2 installation avec une cheminée refroidie à l'air



6.3 dégagements minimaux aux matériaux combustibles

Ossature de l'appareil	
Arrière	- 0" (0mm) aux espaceurs (arrière)
Côtés	- 6" (152mm) des côtés
Plafond (enceinte)	- 120" (304,8cm) de la base de l'appareil (sauf en cas de protection par des montants métalliques et un panneau de ciment)
Plafond (devant de l'appareil)	- 84" (213,4cm) de la base de l'appareil
Cheminée	- 2" (51mm) (suivre les instructions du fabricant)
Manchon isolant pour évent d'air chaud par gravité	- 1" (25mm)
Cheminée préfabriquée	
Plafond (enceinte)	- 120" (304,8cm) de la base de l'appareil (sauf en cas de protection par des montants métalliques et un panneau de ciment).
Refroidie à l'air	
Plafond (enceinte)	- 84" (213,4cm) de la base de l'appareil

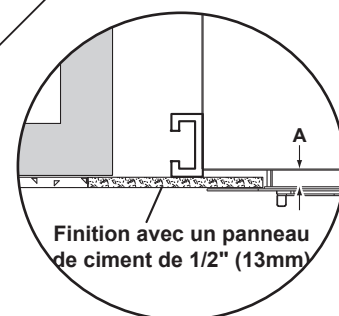
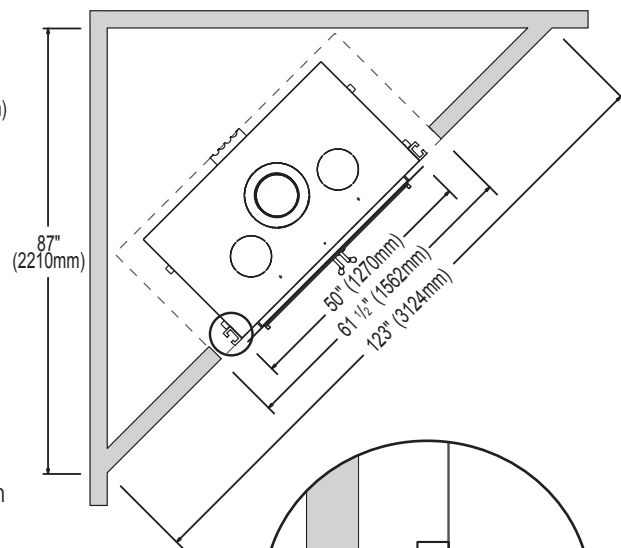
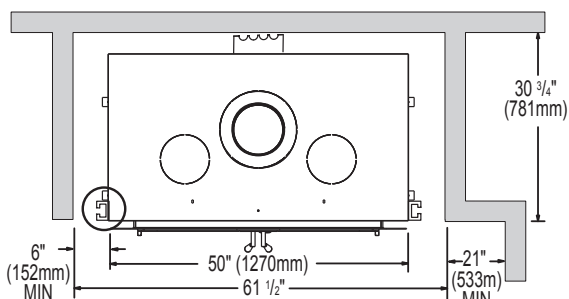
6.4 dégagements minimaux aux enceintes



Illustré avec la gaine de prise d'air enroulée afin de créer un piège à froid.

OU

Un minimum de 6" (152mm) aux matériaux combustibles est requis à partir des côtés de l'appareil. Ceci s'applique uniquement si la gaine de prise d'air est acheminée sous la projection de 2" (51mm) du caisson extérieur de l'appareil. Si la gaine de prise d'air est acheminée verticalement le long du côté de l'appareil, un espacement de 7" (178mm) est requis.



L'espace A doit être comblé en superposant 2 panneaux de ciment de 1/2" (13mm).

Lors de la construction de l'ossature de l'appareil, prévoyez l'épaisseur des matériaux de finition.

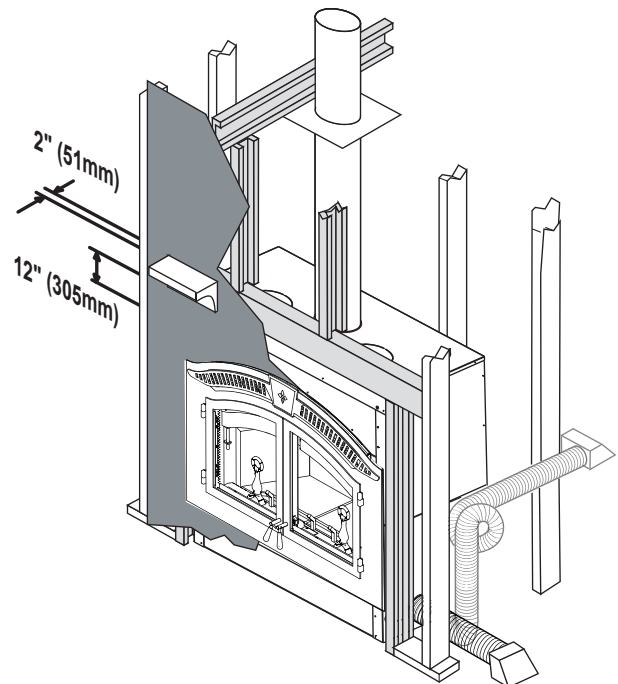
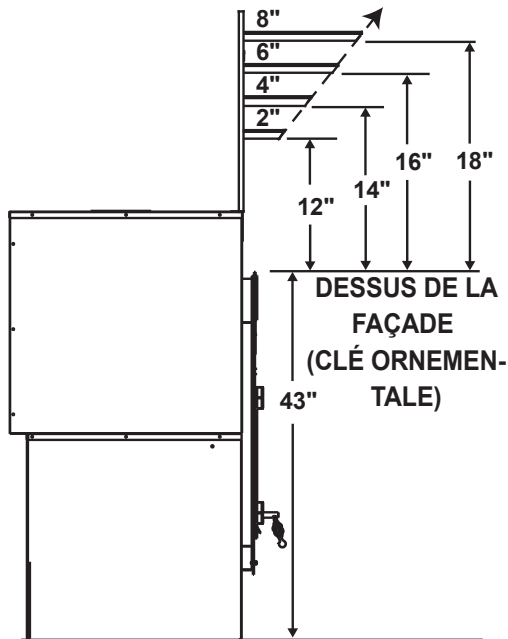
ossature

FR 6.5 dégagements minimaux de la tablette

! AVERTISSEMENT

- Risque d'incendie!
- Conservez tous les dégagements aux matériaux combustibles spécifiés. Ne pas respecter ces instructions peut causer un incendie ou une surchauffe. Assurez-vous que tous les dégagements (arrière, côtés, dessus, événements, tablette, façade, etc.) sont respectés à la lettre.
- Lorsque vous utilisez de la peinture ou du vernis comme finition pour votre tablette, assurez-vous qu'ils soient résistants à la chaleur afin de prévenir la décoloration.

Si vous installez une tablette combustible optionnelle, celle-ci doit être placée au moins à 12" (305mm) au-dessus de la façade et sa profondeur doit être d'au moins 2" (51mm). Voir le tableau ci-dessous pour de plus amples informations.

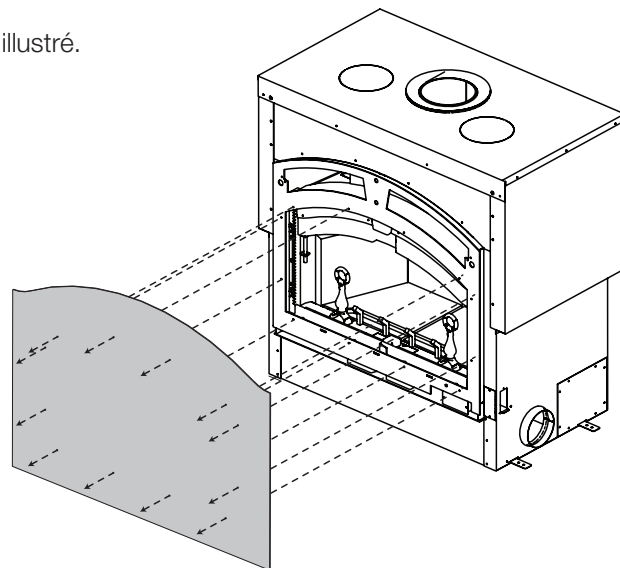


! AVERTISSEMENT

- Utilisez uniquement un matériau non combustible pour la finition de la façade de l'appareil. Un matériau non-combustible tel un panneau de ciment est requis à cette fin.
- Des ouvertures de ventilation sont requises pour toutes les enceintes allant jusqu'à 96" (243,8cm) de hauteur. Elles sont recommandées pour toutes les enceintes.
- Au-delà de 84" (213,4cm) des matériaux de finition combustibles peuvent être utilisés en façade.
- N'isolez pas le contour de l'appareil.

7.1 façade

- Retirer le gabarit d'acier retenu par 12 vis tel qu'illustré.
- Jetez les vis et le gabarit d'acier.

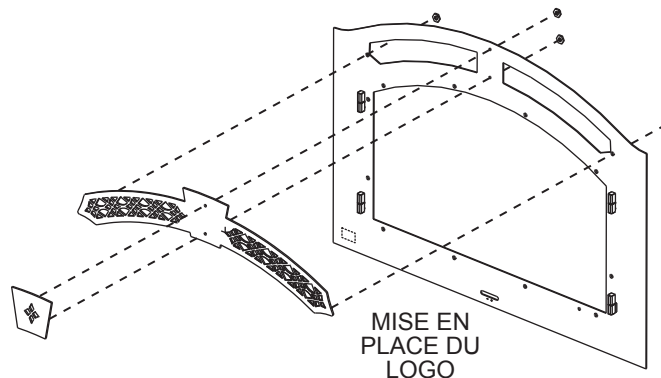


7.2 installation de la grille supérieure

- Fixez la clé ornementale et la grille supérieure à la façade tel qu'illustré, à l'aide des 4 écrous fournis.
- Retirez le papier dorsal du logo et apposez le logo dans le coin inférieur gauche de la façade.

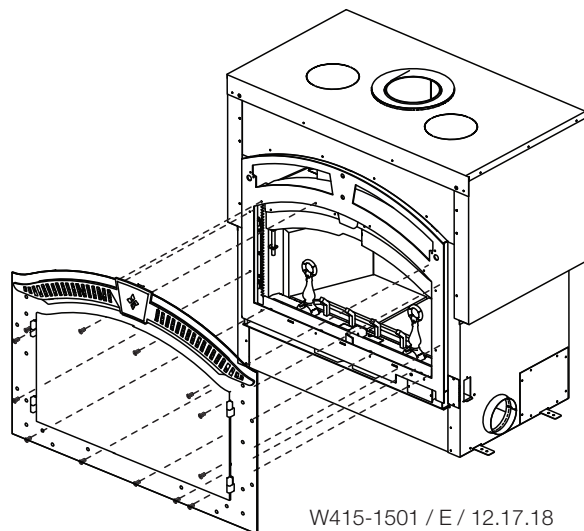
indice:

N'oubliez pas d'inscrire votre numéro de série dans le manuel pour consultation ultérieure.



7.3 installation de la clé ornementale

- Fixer la façade sur l'appareil à l'aide des 12 vis fournies.
- Vissez les 12 vis sans serrer, puis serrez-les uniformément.



finitions

FR 7.4 installation de la poignée de porte

POIGNÉE DE LA PORTE DROITE (FONCTIONNELLE)

- A. Insérez la tige de porte dans le trou circulaire du loquet en vous assurant que le côté plat du trou en forme de « D » est orienté vers les charnières.
- B. Insérez l'extrémité de la tige de porte dans la bague située dans le haut de la porte tel qu'illustré.
- C. Insérez le manche de la poignée dans la porte et le loquet.
- D. Fixez à l'aide de deux rondelles plates et d'un écrou.
- E. Insérez la poignée dans l'espaceur et dans le manche de la poignée.

note:

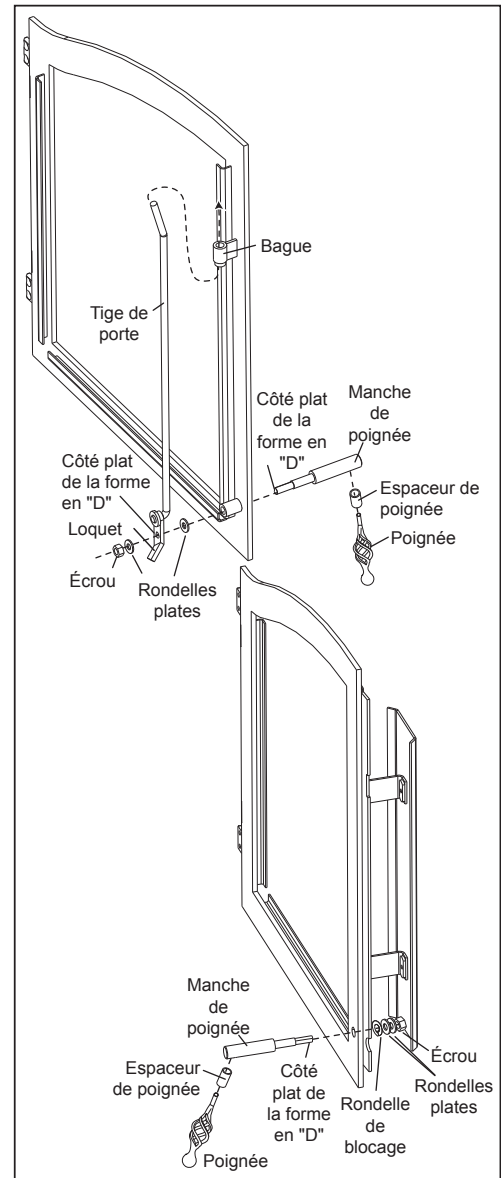
Il sera peut-être nécessaire de déplacer les rondelles de l'autre côté du loquet pour obtenir une étanchéité suffisante pour la porte.

POIGNÉE DE LA PORTE GAUCHE (FIXE)

- A. Insérez le manche de la poignée dans la porte.
- B. Fixez avec une rondelle de blocage, deux rondelles plates et un écrou.
- C. Insérez la poignée dans l'espaceur et dans le manche de la poignée.

note:

L'angle final de la poignée de porte gauche doit être à l'inverse de la poignée droite lorsqu'elle est en position fermée. Serrez l'écrou de la poignée gauche et fixez à l'angle désiré.



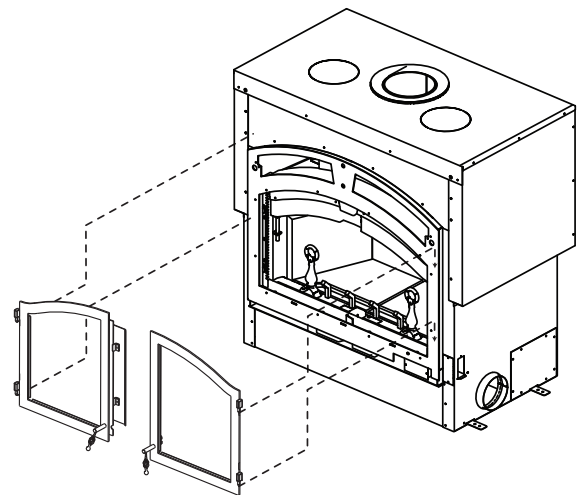
7.5 installation de la porte

- A. Placez les rondelles de laiton sur les bagues de roulement de la façade.

note:

2 rondelles supplémentaires sont fournies pour niveler les portes si nécessaire.

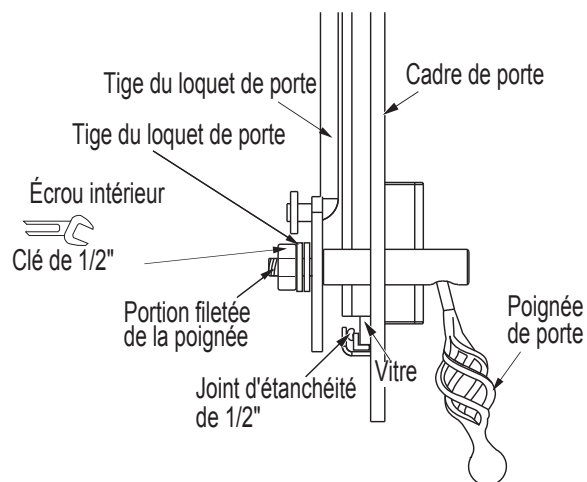
- B. Insérez les tiges des charnières de porte dans les bagues de roulement de la façade.
- C. Pour retirer les portes, ouvrez-les légèrement, puis soulevez-les hors des bagues de roulement.



7.6 installation de la poignée de porte

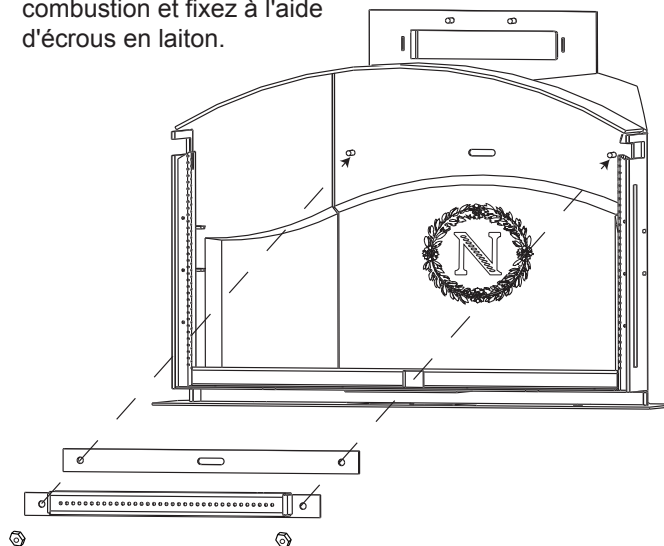
Vous pouvez ajuster le loquet de porte en déplaçant la rondelle d'un côté du loquet à l'autre. Serrez l'écrou externe pour fixer le loquet.

COUPE TRANSVERSALE DE LA PORTE ET DE LA VITRE



7.7 installation et l'enlèvement du conduit d'air secondaire

Placez le joint d'étanchéité et le conduit d'air secondaire W010-1594 sur les tiges à l'arrière de la chambre de combustion et fixez à l'aide d'écrous en laiton.



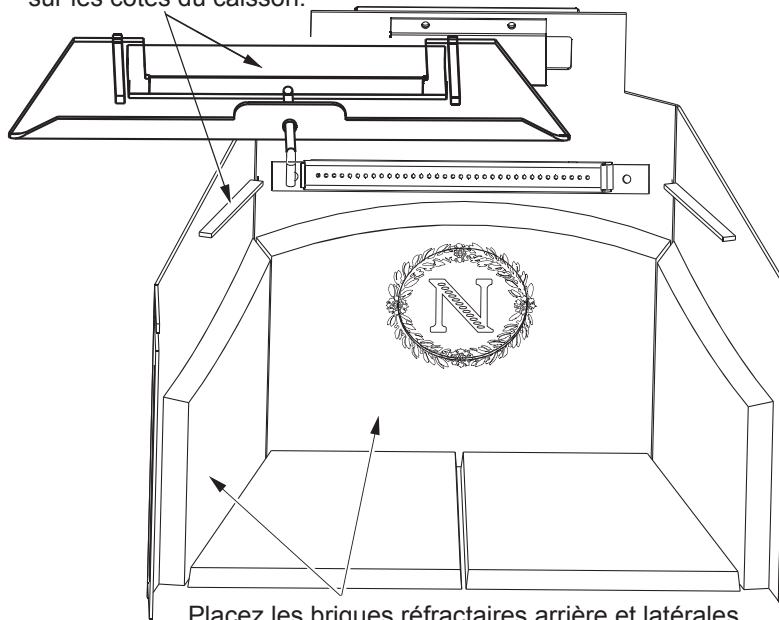
! AVERTISSEMENT

- L'utilisation de l'appareil sans les déflecteurs peut causer des températures excessives qui peuvent endommager l'appareil, la cheminée, et l'enceinte.

Le déflecteur ajustable devrait être en position « OUVERTE » lorsque vous utilisez le pare-étincelles, lors de l'allumage, lors du ravitaillement en bois et durant les mois plus chauds où la chaleur est moins requise.

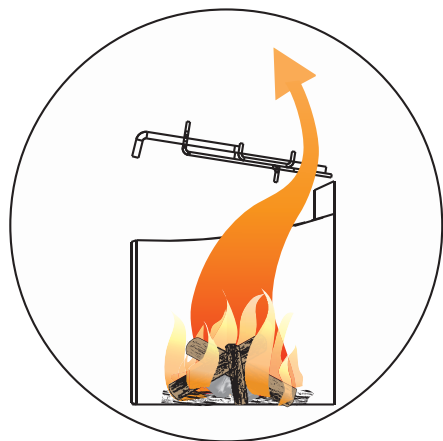
Le déflecteur ajustable devrait être en position « FERMÉE » lorsque les portes sont fermées et qu'un titrage adéquat est établi.

Placez le déflecteur ajustable sur les supports à l'arrière et sur les côtés du caisson.

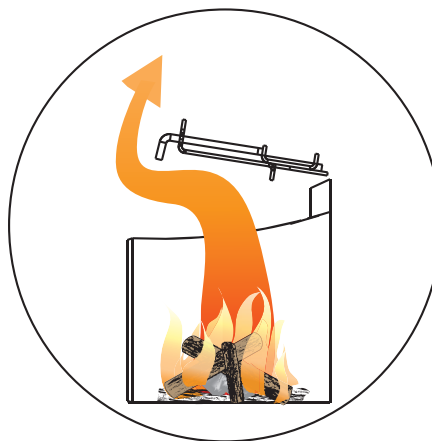


Placez les briques réfractaires arrière et latérales contre les parois.

Pour faciliter l'allumage, ouvrez le déflecteur ajustable.



**VUE DE CÔTÉ
LE DÉFLECTEUR AJUSTABLE DANS
LA POSITION "OUVERTE"**



**VUE DE CÔTÉ
LE DÉFLECTEUR AJUSTABLE DANS
LA POSITION "FERMÉE"**

7.9 installation de la soufflerie en option NZ64

AVERTISSEMENT

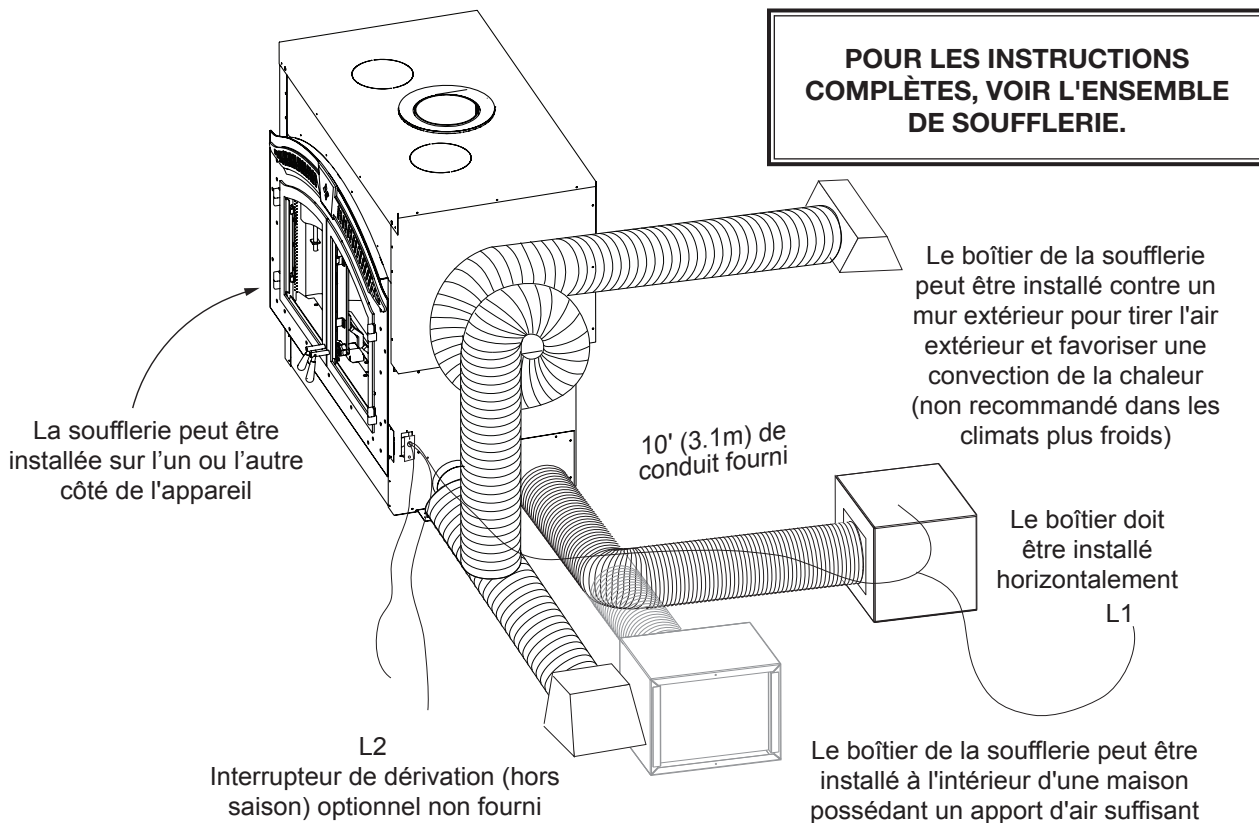
- Cet appareil doit être raccordé électriquement par un électricien qualifié conformément aux codes locaux et à la version courante du National Electrical Code ANSI/NF 70 (aux États-Unis), ou au Code Canadien de l'Électricité CSA C22.1 (au Canada).

note:

La considération doit être faite pour l'emplacement de la soufflerie, car le plus près à l'appareil, le plus grand le bruit de flux d'air sera. La soufflerie pourrait être installée sur un des deux côté de l'appareil.

Acheminez un fil électrique de 120 volts, 60 Hz (non fourni) de la boîte de dérivation sur le côté de l'appareil à la boîte de dérivation sur le boîtier de la soufflerie.

Cet appareil est muni d'un interrupteur de porte et d'un contrôle thermostatique.

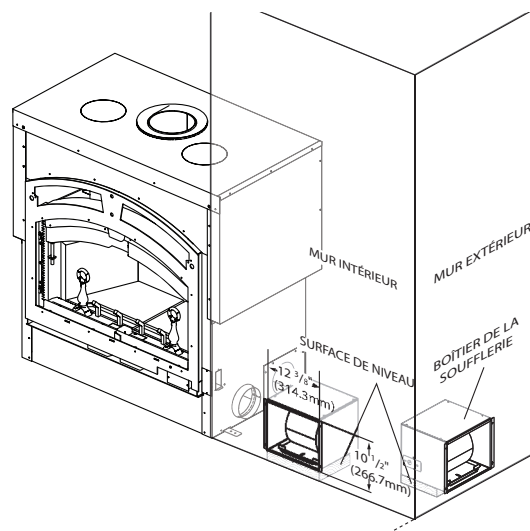


- Retirez le gabarit d'acier.
- Placez la soufflerie contre un mur intérieur ou un mur extérieur dans une ouverture charpentée de $12 \frac{3}{8}$ " (314mm) L x $10 \frac{1}{2}$ " (267mm) H. (L'installation sur un mur extérieur n'est pas recommandée dans les climats plus froids, car l'air froid peut être attiré dans la maison même si l'appareil est éteint.)

note:

Le boîtier de la soufflerie doit être installée sur une surface de niveau suffisamment large pour supporter l'assemblage de la soufflerie.

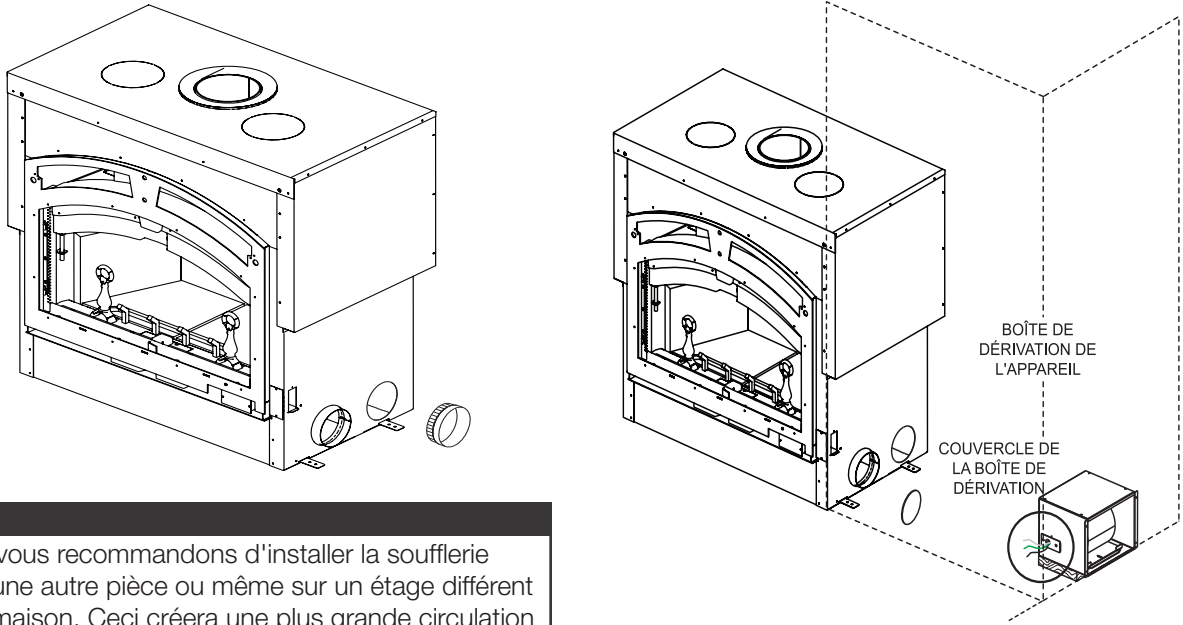
Lorsque vous fixez le boîtier de la soufflerie et la grille, prévoyez l'épaisseur du matériau de finition.



finitions

FR

- C.** Raccordez le collet de 6" à l'ouverture de la soufflerie située sur le côté de l'appareil. Une ouverture alternative est située de l'autre côté de l'appareil. Si cet emplacement est préférable, interchangez la plaque de recouvrement et le collet. Fixez le collet en accédant à l'intérieur de celui-ci et en pliant les pattes. Utilisez du scellant pour vous assurer que le raccordement est étanche.



note:

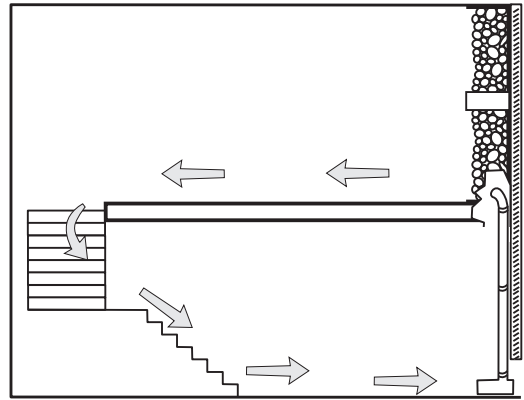
Nous vous recommandons d'installer la soufflerie dans une autre pièce ou même sur un étage différent de la maison. Ceci créera une plus grande circulation d'air et améliorera la distribution de la chaleur provenant de l'appareil.

D. Branchement Électrique

I. Retirez les couvercles de la boîte de dérivation de l'appareil et de la soufflerie.

II. Lorsque vous retirez le couvercle de la boîte de dérivation de l'**appareil**, vous y trouvez 4 fils noirs identifiés:

- 2 fils identifiés « by-pass » (dérivation): vont à l'interrupteur de dérivation (hors saison) (non fourni - annule le contrôle thermostatique pour permettre à l'utilisateur de faire fonctionner la soufflerie sans la chaleur).



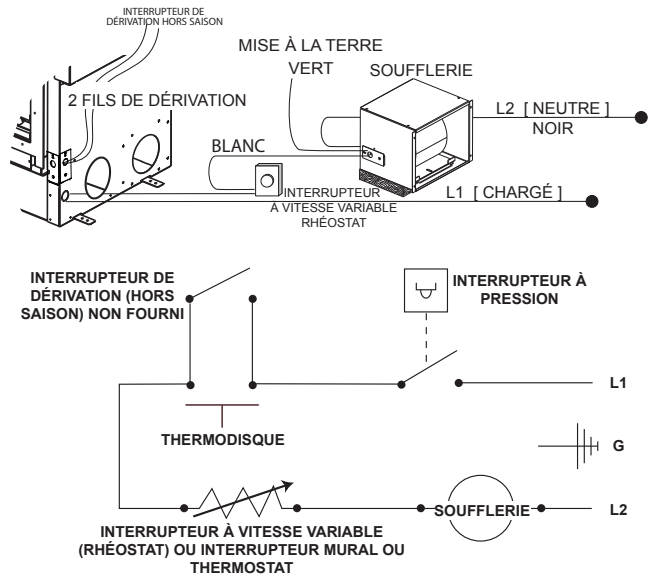
important:

Si l'interrupteur de dérivation (hors saison) n'est pas désiré, fixez des marettes sur chacun des fils séparément (ne les branchez pas ensemble).

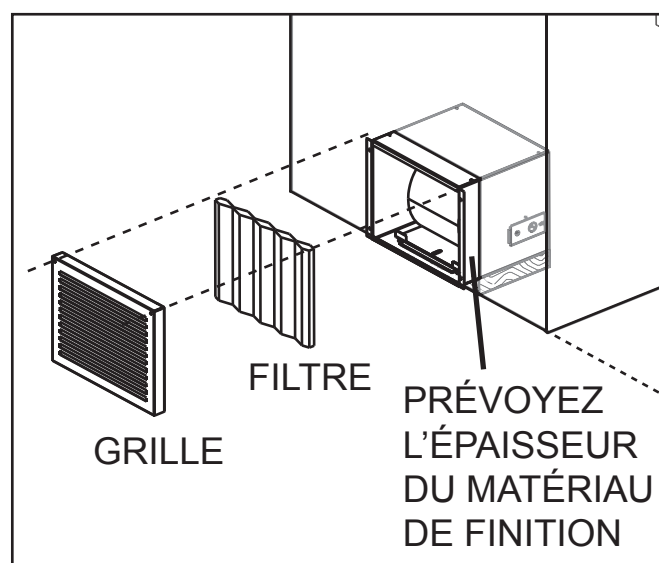
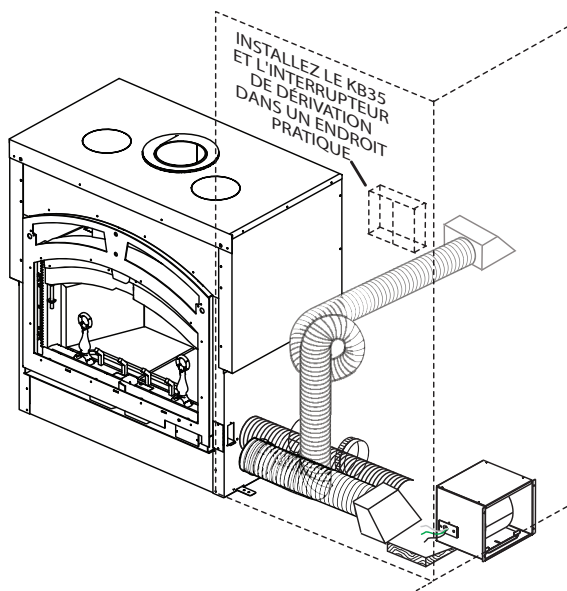
- 1 fil identifié « blower » (soufflerie): se branche au Interrupteur à vitesse variable rhéostat (non fourni) et ensuite le fil interrupteur à vitesse variable de la soufflerie se branche au fil blanc de la soufflerie.
- Un fil identifié « L1 »: se branche à l'alimentation électrique (fil chargé).

III. Lorsque vous retirez le couvercle de la boîte de dérivation de la **soufflerie**, vous y trouverez 3 fils de couleurs différentes:

- 1 fil noir: se branche à l'alimentation « L2 » (fil neutre).
- 1 fil vert: se branche à la mise à la terre.
- 1 fil blanc: se branche au rhéostat interrupteur à vitesse variable (non fourni). Voir ci-dessus.



- E. Raccordez la gaine de 6" au collet de l'appareil et à celui de la soufflerie. Fixez chaque extrémité à l'aide de 3 vis et scellez avec du calfeutrage.
Le conduit flexible fourni s'étire jusqu'à un maximum de 10' (3m).
- F. Insérez le filtre dans la grille. Un joint d'étanchéité en mousse (coupe-froid de 1/2" / 13mm) entre la grille et le boîtier de la soufflerie est recommandé mais non fourni.
Le filtre de la soufflerie est lavable.
- G. Le rebord inférieur de la grille se fixe par-dessus le rebord inférieur du boîtier. Fixez le haut de la grille à la façade à l'aide de deux vis.



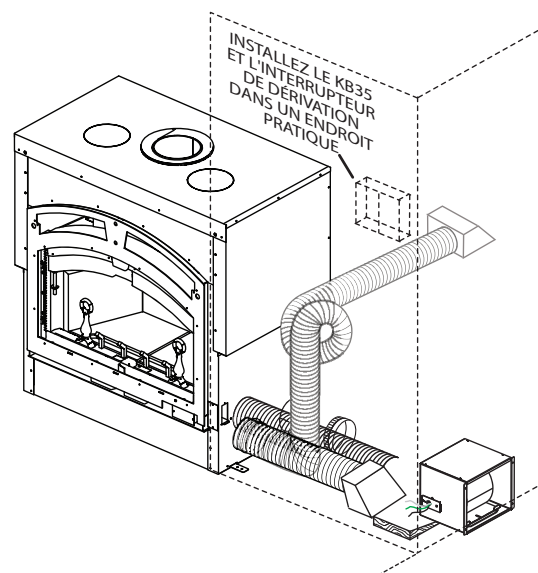
7.10 ensemble NZ150-KT

La terminaison du conduit d'entrée d'air de circulation doit être installée à l'extérieur de l'enceinte de l'appareil, afin d'assurer une circulation d'air adéquate autour de la chambre de combustion

Le conduit d'air de 6" (152mm) doit être branché soit à la soufflerie NZ64, soit à l'ensemble NZ150-KT.

Évitez de positionner la terminaison plus haut que le bas des portes de l'appareil pour éviter l'inversion du débit d'air.

Une ouverture alternative couverte se trouve sur l'autre côté de l'appareil. Si cet endroit est préférable, mettez-y le couvercle et le collet.



7.11 ensemble de pare-étincelles optionnel NSK6

Lorsque vous êtes dans la pièce, utilisez le pare-étincelles pour profiter de l'ambiance et du crépitement d'un feu ouvert. Utilisez des bûches de dimension moyenne pour éviter que les bûches ne roulent contre le pare-étincelles. L'action de la cheminée peut empêcher l'utilisation du pare-étincelles dans certaines installations en raison des émanations de fumée. Le fait d'ouvrir le registre de dérivation peut empêcher la fumée de se répandre. Le bois brûlera plus rapidement et la puissance de chauffage sera moindre avec le pare-étincelles comparativement au fonctionnement de l'appareil avec les portes vitrées fermées.

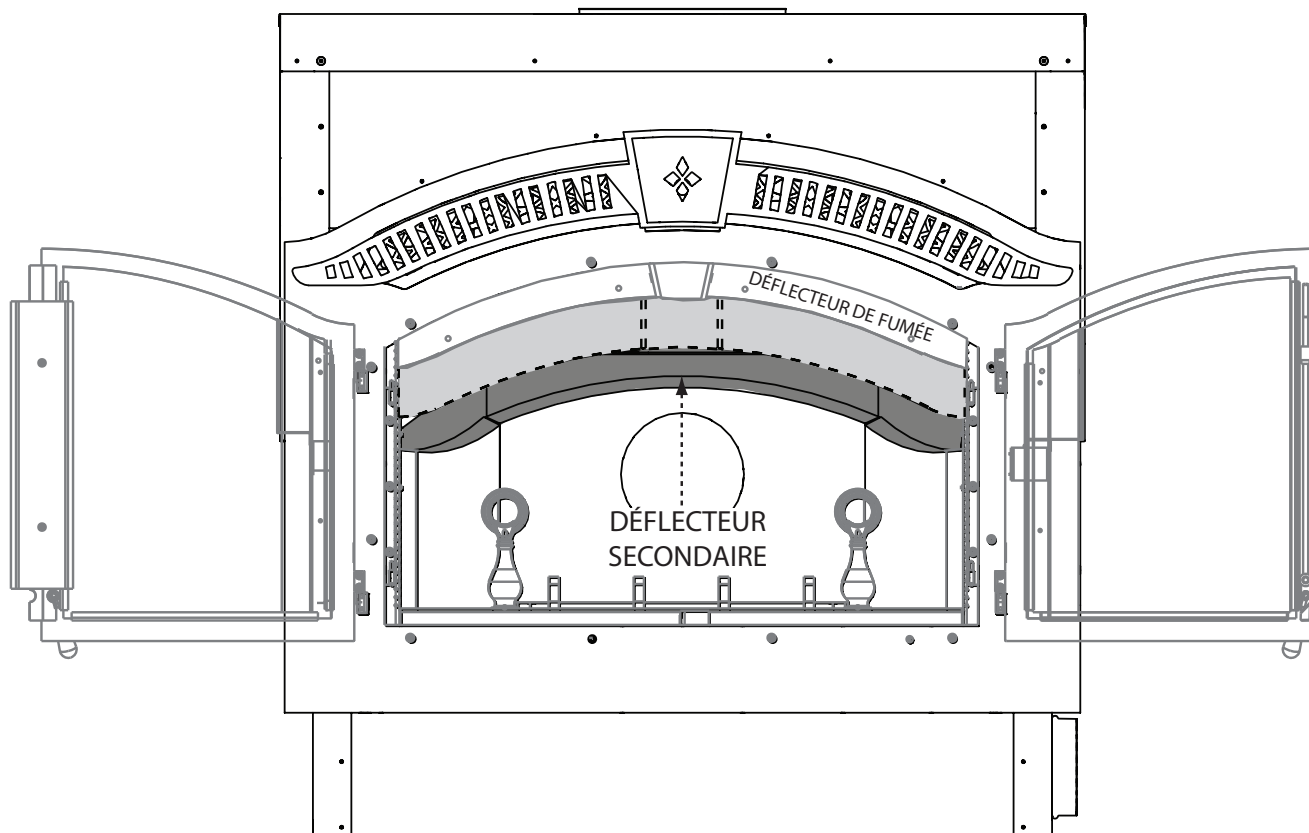
finitions

FR 7.12 déflecteur de fumée

Afin de réduire les émanations de fumée causées par un tirage inadéquat, vous pouvez ajouter un déflecteur de fumée optionnel à l'appareil NZ6000-1.

note:

Le déflecteur de fumée est seulement utilisé en brûlant avec la porte ouverte pour empêcher les émanations de fumée de retourner dans la pièce.



! AVERTISSEMENT

- Un feu de cheminée peut endommager votre cheminée de façon permanente. Pour réparer ces dommages, vous devrez remplacer les composants endommagés. Les feux de cheminée ne sont pas couverts par la garantie à vie limitée.

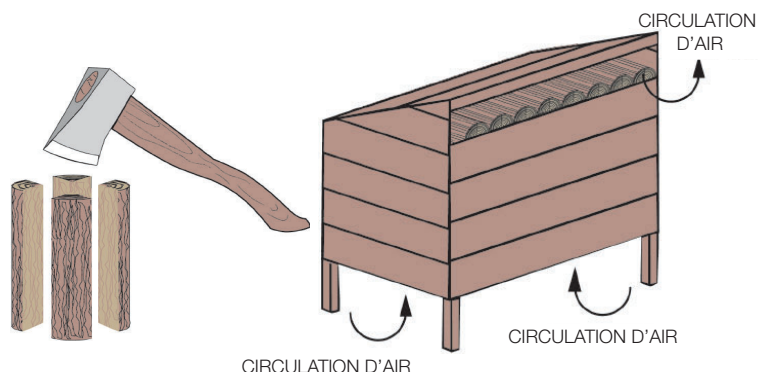
Avant de charger l'appareil, assurez-vous que tous les déflecteurs et l'isolation nécessaire (si applicable) sont situés correctement. Pour assurer une efficacité maximale lorsque l'appareil est réchauffé, remplissez-le avec du bois jusqu'au maximum spécifié et brûlez en réglant à feu moyen-bas. Des briques presque entièrement blanches et une vitre presque entièrement propre sont de bons indicateurs que votre appareil fonctionne efficacement. Lorsque vous ne brûlez que quelques bûches, l'appareil ne produira pas assez de chaleur ou le bois ne brûlera pas complètement.

note:

Lorsque vous chargez l'appareil, assurez-vous de garder le combustible éloigné de la vitre. Si des braises s'accumulent sur le rebord avant, elles pourraient tomber hors de l'appareil quand vous ouvrez la porte.

TYPES DE BOIS

Le bois dur brûle aussi bien que le bois résineux dans cet appareil; par contre, le bois dur est plus dense, plus lourd, brûle plus lentement et plus longtemps. Les bûches artificielles obtenues par la compression de fibre de bois 100% naturelle peuvent être utilisées sans danger comme combustible. N'utilisez pas des bûches artificielles contenant des additifs comme de la paraffine, de la cire, des liants, etc. Ne brûlez jamais plus de deux bûches artificielles à la fois.



CONTIENT D'HUMIDITÉ

Ne brûlez que du bois propre, non peint et bien sec. Il produit plus de chaleur et moins de suie et de créosote. Le bois fraîchement coupé contient environ 50% d'humidité tandis qu'une fois séché, il n'en contient que 20%. Quand le bois brûle, l'eau bout en consommant une partie de l'énergie qui aurait dû produire de la chaleur. Plus le bois est humide, moins il y aura de chaleur et plus il y aura de créosote. Le bois sec a des craquelures dans les extrémités.

STOCKAGE DE BOIS

Bois de chauffage doit être divisé et empilés de façon à permettre la circulation de l'air complet et couverts au début du printemps pour être prêt pour la gravure de l'automne. Bois de chauffage sec a des fissures dans la fin du grain.

Coupez le bois de façon à ce qu'il puisse rentrer horizontalement, de l'arrière vers l'avant, dans l'appareil. Ceci facilite le chargement et il y aura moins de risque que le bois roule sur la vitre.

Le combustible pour l'appareil ne doit pas être entreposé à l'intérieur des dégagements minimaux aux matériaux combustibles (matériau sensible à la chaleur). **N'ENTREPOSEZ JAMAIS DE BOIS DANS LE COMPARTIMENT DU TIROIR À CENDRES (s'il y a lieu).**

9.0 fonctionnement

FR

Les bruits causés par l'expansion et la contraction lors des cycles de chauffage et de refroidissement sont tout à fait normaux et il faut s'y attendre.

CONSEILS LORSQUE VOUS FAITES UN FEU:

- Faites un grand feu pour réchauffer l'appareil avant de fermer les portes pour régler pour une combustion plus lente.
- Pour faire un grand feu vif, utilisez des petits morceaux de bois.
- Pour un feu continu à combustion lente, chargez des bûches plus grosses, de façon compacte.
- Pour des durées de combustion plus longues, laissez un lit de braises d'une épaisseur de 1" (25mm) à 2" (51mm).
- Ne brûlez que du bois sec.
- À l'exception d'une combustion nocturne, faites de grands feux vifs si possible. Des feux plus petits à combustion lente, utilisant de grosses bûches, feront noircir la vitre. De grands feux vifs à rechargements fréquents, utilisant des bûches de dimensions moyennes, sont beaucoup plus efficaces.
- Il est important de réduire au minimum la fumée visible émettant de la cheminée. Brûler le bois assaisonnés, maintenir la catalyst de l'appareil et suivre les instructions de fonctionnement dans ce manuel permettra de s'assurer que les émissions de fumée visibles sont minimisés.

À FAIRE

- Vérifiez avec capteur d'humidité que le bois ne contient pas plus de 20% d'humidité.
- Plusieurs morceaux de dimensions moyennes sont préférables à quelques gros morceaux.
- Nettoyer la cheminée régulièrement.
- Réalimenter fréquemment en utilisant des morceaux de dimension moyenne.
- Bien ajuster le contrôle de combustion (si applicable) pour une performance optimale.

À NE PAS FAIRE

- Retirer les cendres immédiatement. Laissez-les s'accumuler sur une épaisseur d'au moins un pouce. Une bonne couche de cendres favorise une attisée qui brûle mieux et qui dure plus longtemps.
- Brûler du bois humide avec plus de 20% d'humidité.
- Fermer la porte prématurément ou fermer le contrôle de combustion trop rapidement.
- Brûler un gros morceau de bois plutôt que deux ou trois morceaux plus petits, de dimensions plus raisonnables.
- Brûler continuellement à un réglage trop bas (si applicable). Si la vitre de la porte est constamment noircie, cela signifie que la température de la chambre de combustion est trop basse.

9.1 bruits et odeurs lors du fonctionnement

Si une soufflerie est installé, un léger bourdonnement peut être perçu en fonction de l'emplacement de la soufflerie. Ce bruit peut être minimisé en diminuant la vitesse de la soufflerie. C'est aussi normale d'entendre craquement et/ou cochant pendant le fonctionnement en tant que les composants de la plaque métallique de l'appareil augmente et contracte. Cela peut être présent pendant les réchauffer et refroidir.

Durant la période de rodage (les 2 ou 3 premiers feux), ne faites que des petits feux chauds avec du bois d'allumage; ceci permettra à la brique réfractaire de se conditionner. Ne vous inquiétez pas si de petites fissures apparaissent dans les briques réfractaires. Cela est normal et ne pose pas un risque pour la sécurité. Le patin peut également émettre une odeur; vous devrez ouvrir une porte ou une fenêtre pour chasser les odeurs.

Il y a plusieurs façons d'allumer un feu. Passez en revue les conseils et les avertissements de cette section pour vous assurer que le feu soit allumé de façon adéquate.

9.2 extincteurs, détecteurs de fumée, et détecteurs de monoxyde de carbone

AVERTISSEMENT

- Cet appareil émet du monoxyde de carbone, un gaz incolore et inodore qui peut conduire à une maladie grave et à la mort si exposé aux humains et aux animaux en quantités suffisante.
- L'opération de cet l'appareil dans une manière allant à l'encontre des instructions d'opération continues dans ce manuel peut augmenter émissions de fumée et de monoxyde de carbone (CO) considérablement. Donc, nous vous recommandons d'installer les détecteurs dans les zones susceptibles du monoxyde de carbone (CO).

Toutes les maisons possédant un appareil à combustible solide devraient posséder au moins un extincteur d'incendie dans un emplacement central connu de tous et au moins un détecteur de fumée et détecteur monoxyde de carbone placé dans la pièce où l'appareil est situé. Si l'alarme se déclenche, corrigez la cause mais ne désactivez pas, ou ne relocalisez pas le détecteur de fumée. Si le détecteur de monoxyde de carbone sonne l'alarme, déplacer immédiatement à une région qui a l'air frais et appeler un votre service d'incendie local.

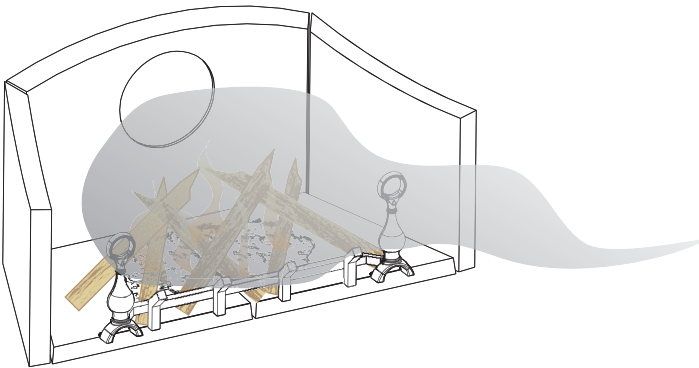
9.3 contrôle du tirage

! AVERTISSEMENT

- Faites toujours fonctionner cet appareil avec la porte fermée et verrouillée, sauf durant l'allumage et le ravitaillement.

note:

Enlevez tous les contenants d'essence ou autres liquides et vapeurs inflammables placés à proximité de cet appareil ou tout autre appareil avant de l'allumer.



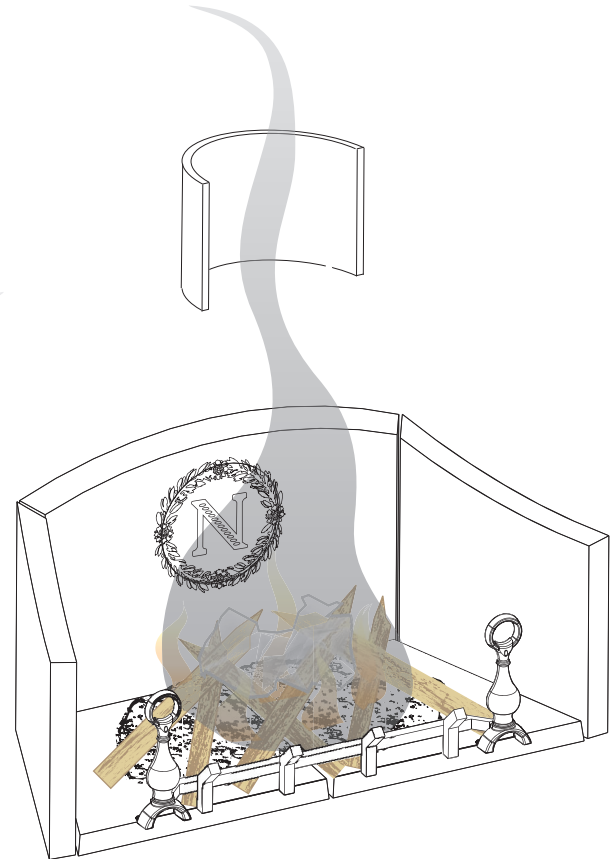
Pour réduire le fumage lors du démarrage de l'appareil, roulez du papier journal, placez-le près de la cheminée, et allumez-le jusqu'à ce que la cheminée commence à tirer.

Lorsque le feu est allumé et il est nécessaire de recharger ou ajuster le carburant, ouvrez la porte lentement pour éviter que la fumée ne se répande dans la pièce.

Un appareil Napoléon installé convenablement ne devrait pas fumer.

Si le vôtre fume, vérifiez les points suivants:

- Est-ce que la cheminée a pu se réchauffer suffisamment?
- Les hottes de prise d'air sont-elles bloquées?
- Est-ce que le passage de la fumée est bloqué soit dans la cheminée ou dans l'appareil?
- Est-ce que le tirage de la fumée est restreint par un tuyau horizontal trop long ou par un trop grand nombre de coudes?
- Est-ce un manque de tirage causé par une cheminée non hermétique, une cheminée extérieure froide, une cheminée trop courte ou trop près des arbres ou un toit plus élevé?



! AVERTISSEMENT

- Brûlez le bois arrière du pare-bûches directement sur les briques réfractaires. N'utilisez pas un chenet et n'essayez pas de surélever le feu de quelque manière.
- N'entreposez pas le bois à l'intérieur des dégagements de l'appareil ou dans l'espace requis pour le ravitaillement ou l'enlèvement des cendres.
- Brûleur du bois vert ou humide peut causer des accumulations excessives de crésote. Lorsqu'allumée, cette dernière peut causer un feu de cheminée et un incendie grave pourrait s'ensuivre.
- Il est recommandé d'utiliser des gants résistants à la chaleur et/ou des pinces métalliques lorsqu'il recouvre l'appareil.

Les briques seront presque entièrement blanches et la vitre presque entièrement propre. Ceci est un bon indicateur que votre appareil fonctionne efficacement.

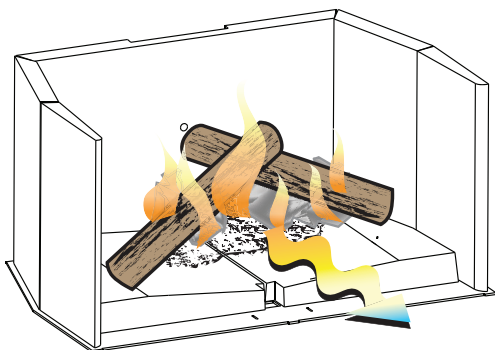
Lorsque vous ne brûlez qu'une ou deux bûches, l'appareil ne produira pas assez de chaleur.

Il faut au moins trois bûches pour arriver à avoir un lit de braises qui nourrira le feu. Des bûches placées de façon lâche brûleront plus rapidement que celles placées serrées les unes contre les autres.

Un feu éclair est un petit feu qui brûle rapidement quand vous n'avez pas besoin de beaucoup de chaleur. Une fois que votre bois d'allumage est bien allumé, chargez trois bûches par-dessus de façon très lâche. Faites brûler avec le contrôle de combustion pleinement ouvert ou légèrement ouverte.

Le bois brûle de façon cyclique au lieu de fournir une chaleur constante. Il est donc préférable de planifier ces cycles en fonction de vos activités familiales de façon à ce que suffisamment de braises soient disponibles pour allumer la charge suivante.

Ne brûlez que du bois bien sec. Il produit plus de chaleur et moins de suie et de crésote. Ne brûlez pas le bois qui a séjourné dans l'eau de mer; le contenu en sel peut le corrodé à le métal.



QUANTITÉ DE BOIS INSUFFISANTE

Lorsque vous rechargez l'appareil, ouvrez la porte lentement afin d'éviter les déversements de fumée. Lorsque vous alimentez le feu, utilisez de longues gants protecteurs. Gardez une petite pelle en acier à proximité; elle peut être utilisée comme tisonnier ou pour enlever les cendres. N'entreposez pas le bois à moins de quatre pieds (1,2m) de l'appareil.

Respectez les directives suivantes afin de minimiser les refoulements de fumée lors du rechargement de l'appareil.

- A. Ouvrez légèrement la porte. Laissez le flux d'air à l'intérieur du foyer se stabiliser avant l'ouverture la porte.
- B. Charger le bois et fermer les portes, en laissant légèrement entrouverte.
- C. Après 5 à 10 minutes, fermez complètement la ou les portes.

note:

Les durées de combustion totales diminuer en fonction de la hauteur et du tirage de chaque cheminée.

NE SURCHAUFFEZ PAS L'APPAREIL! Une surchauffe peut se produire quand vous brûlez de grandes quantités de bois de dimensions plus petites ou quand vous brûlez vivement de grandes quantités de bois pendant de longues périodes (plus de une ou deux heures). Une surchauffe peut entraîner des risques d'incendie et/ou des blessures.

9.5 allumer le feu

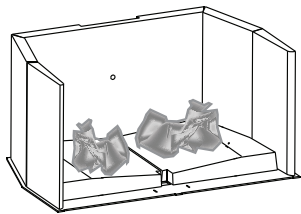
! AVERTISSEMENT

- Faites toujours fonctionner cet appareil avec la porte fermée et verrouillée sauf durant l'allumage et le ravitaillement ou sauf indication contraire avec compatibles Wolf Steel accessoires. Faire fonctionner cet appareil avec les portes ouvertes ou entrouvertes crée un risque d'incendie de cheminée ou du domicile. Portez toujours des gants pour prévenir les blessures. Ne laissez pas l'appareil sans supervision lorsque la porte est déverrouillée ou lorsque vous utilisez le pare-étincelles. Du bois instable pourrait tomber hors de la chambre de combustion et créer un risque d'incendie.
- Ne laissez jamais les enfants sans surveillance lorsqu'un feu brûle dans l'appareil.
- N'utilisez jamais d'essence, de combustible à lanterne, de kérosène, d'essence à briquet ou d'autres liquides pour allumer ou raviver un feu dans cet appareil. Gardez tous ces liquides éloignés de l'appareil.
- Cet appareil n'a pas été testé avec un ensemble de bûches à gaz ventilées ou non ventilées. Afin de réduire le risque d'incendie ou de blessure, n'installez pas d'ensemble de bûches à gaz ventilées ou non ventilées dans cet appareil.

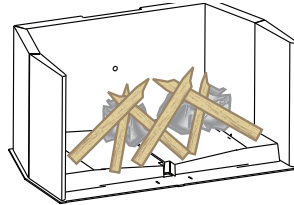
Enlevez tous les contenants d'essence ou autres liquides et vapeurs inflammables placés à proximité de cet appareil ou tout autre appareil avant de l'allumer.

Utilisez beaucoup de papier journal et de bois d'allumage pour vous assurer que l'appareil atteigne une température adéquate. Lorsque le bois d'allumage est enflammé, ajoutez quelques morceaux de bois plus gros sur le feu.

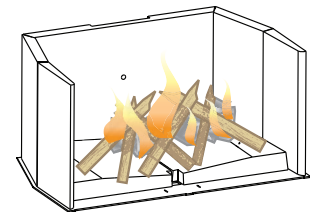
Conseil : Lorsque vous allumez un feu, si la fumée n'est pas rapidement tirée dans la cheminée, il se peut qu'il y ait un tirage descendant ou de l'air froid dans la cheminée. En brûlant d'abord une bonne quantité de papier journal, la cheminée se réchauffera et la fumée sera rapidement attirée par la cheminée.



A. À l'allumage, un feu vif est requis. Roulez du papier journal; allumez-le et approchez-le de la buse de l'appareil jusqu'à ce que la cheminée commence à tirer.

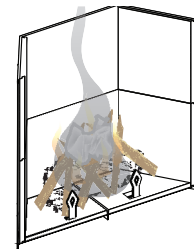
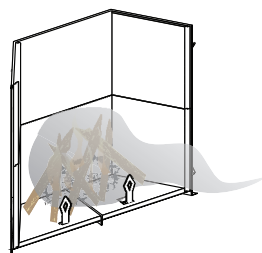


B. Couvrez de bois d'allumage.



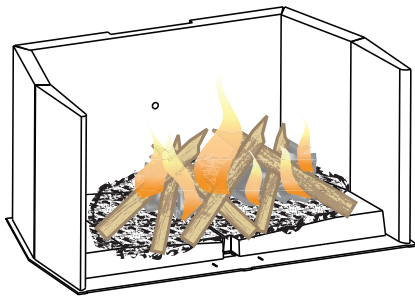
C. Allumez le papier et laissez la porte entrouverte (un à deux pouces) jusqu'à ce que tout le bois d'allumage brûle.

Le tirage est la force qui déplace l'air de l'appareil vers le haut, dans la cheminée. La force de tirage de votre cheminée dépend de sa hauteur, de la géographie locale, des obstructions avoisinantes et d'autres facteurs. Un tirage inadéquat peut causer des refoulements de fumée dans la pièce ainsi que le blocage de la cheminée. Un tirage trop important provoquera des températures excessives dans l'appareil, des composants qui rougeoient ou une combustion incontrôlable, ce qui peut causer un feu de cheminée ou des dommages permanents à l'appareil.

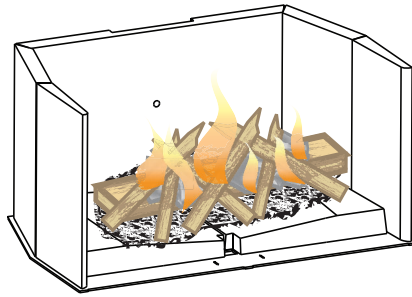


fonctionnement

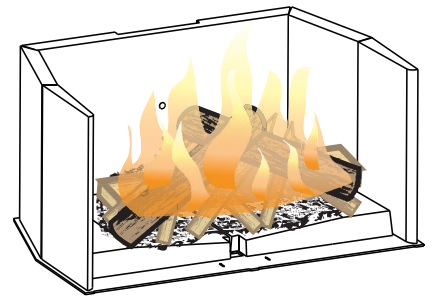
FR



D. Pour maintenir un feu vif, un lit de braises doit se former et être entretenu.



E. Lentement, ajoutez des morceaux de bois plus gros (2" x 4"). Posez les morceaux dans le lit de braises, parallèlement à l'arrière de l'appareil, tout en gardant une tranchée peu profonde entre les morceaux de bois. Ainsi l'air comburant primaire circulera directement dans la tranchée et allumera le bois.



F. Lorsque la flambée semble être à son maximum, des bûches de dimensions moyennes peuvent être ajoutées. Une fois que ces morceaux ont pris feu, fermez la porte doucement.

Lorsque le feu est allumé, ouvrez la porte lentement pour éviter que la fumée ne se répande dans la pièce.

Le fait de fermer la porte immédiatement après le chargement entraînera une diminution de température dans la chambre de combustion, qui peut se traduire en une combustion insatisfaisante.

G. Une fois que la porte est fermée, vous observerez un changement dans le comportement des flammes. Elles deviendront plus petites et plus paresseuses parce que le volume d'oxygène qui entre dans la chambre de combustion est moindre. Cependant, les flammes sont plus efficaces. Elles continueront d'être paresseuses, mais redeviendront plus grandes dès que les briques réfractaires auront été complètement réchauffées et que la cheminée deviendra plus chaude, produisant ainsi un meilleur tirage.

H. Lorsque les portes sont ouvertes, le feu tire inutilement l'air réchauffé de la pièce dans la cheminée, une situation qui est certes indésirable. C'est pourquoi il faut toujours faire fonctionner l'appareil avec la porte complètement fermée lorsque les morceaux de bois de dimensions moyennes sont enflammés.

Vous pouvez maintenant ajouter de plus gros morceaux de bois et faire fonctionner l'appareil normalement. Dès que l'appareil est complètement réchauffé, il brûlera très efficacement en laissant échapper très peu de fumée par la cheminée. Il y aura un lit de braises très chaudes dans la chambre de combustion et vous pourrez sans crainte remplir la chambre de combustion avec du bois jusqu'au-dessus des bornes de chenet.

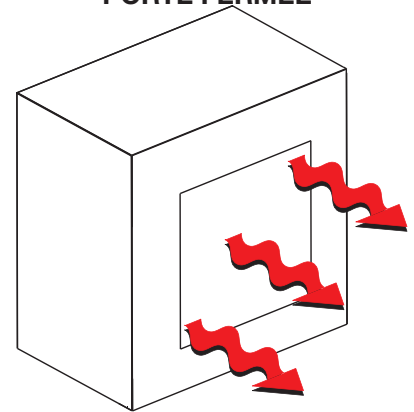
Vous n'arrivez pas à faire fonctionner votre appareil? Utilisez plus de bois d'allumage et de papier. Si la cheminée et le tuyau d'évacuation sont de grandeur appropriée et s'il y a suffisamment d'air comburant, alors le problème est causé par le manque de petits morceaux de bois d'allumage sec. Le bois d'allumage devrait avoir un diamètre équivalent à celui de votre pouce.

Votre appareil n'émet pas assez de chaleur? Une ou deux choses peuvent être en cause. Les portes de l'appareil ont été fermées prématurément et l'appareil n'a pas atteint sa température optimale. Ouvrez à nouveau les portes ou le contrôle de combustion afin de repartir un feu vif. Du bois humide pourrait être la deuxième cause. Un bois grésillant d'où s'échappe de l'humidité est le symptôme typique. Le seul moyen précis pour déterminer l'humidité du bois est d'un humidimètre. Contactez votre revendeur local pour plus d'informations.

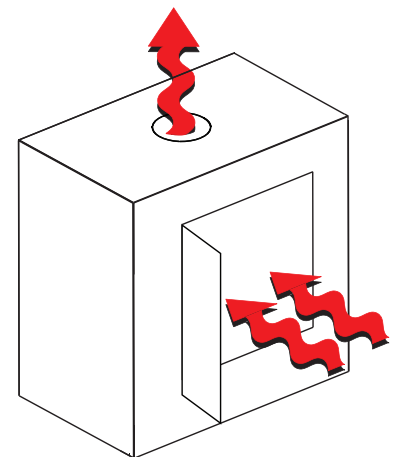
note:

Les appareils entourés de roches ou de briques nécessiteront une période de réchauffement plus longue puisque ces matériaux absorbent la chaleur générée.

FUNCTIONNEMENT AVEC LA PORTE FERMÉE



FUNCTIONNEMENT AVEC LA PORTE OUVERTE



9.6 fumée

Un appareil installé convenablement ne devrait pas fumer. Si le vôtre fume, vérifiez les points suivants:

- Est-ce que la cheminée a pu se réchauffer suffisamment?
- Est-ce que le passage de la fumée est bloqué soit dans la cheminée, soit dans le conduit de raccordement, soit dans l'appareil?
- Est-ce que la pièce est trop hermétique et que la prise d'air comburant n'est pas raccordée sur l'extérieur? Essayez avec une fenêtre partiellement ouverte.
- Est-ce que le flot de fumée est restreint par un tuyau horizontal trop long ou par un trop grand nombre de coudes?
- S'agit-il d'un tirage faible causé par une cheminée non hermétique, une cheminée extérieure froide, un diamètre de cheminée trop grand, une cheminée trop courte ou trop près des arbres ou d'un toit plus élevé?
- Est la teneur en humidité du bois supérieure à 20%?
- Si équipé, est-ce que le bypass catalyseur a été fermé ou fermé prématurément?

10.0 entretien

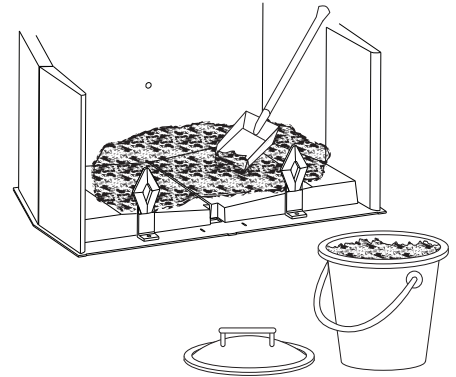
FR 10.1 enlèvement des cendres

! AVERTISSEMENT

- Une mise au rebut inadéquate des cendres cause des incendies. Ne jetez pas les cendres dans des boîtes de carton, dans la cour arrière, et ne les entreposez pas dans le garage.
- Si vous utilisez un aspirateur pour ramasser des cendres, assurez-vous que les cendres sont complètement refroidies. Si vous utilisez un aspirateur pour ramasser des cendres chaudes, cela risque de produire un feu à l'intérieur de l'aspirateur.

Laissez les cendres s'accumuler sur une épaisseur d'environ 1" (25mm) sur le plancher de la chambre de combustion pour aider à conserver un lit de braises chaudes. Une fois que le feu s'est éteint et que les cendres se sont refroidies, enlevez toutes les cendres excédentaires. Pour enlever les cendres, suivez les directives ci-dessous.

- A. Une fois que le dernier morceau de charbon s'est éteint, laissez l'appareil se refroidir au moins deux heures.
- B. Ouvrez les portes de l'appareil.
- C. Pelletez les cendres de l'appareil dans un contenant de métal muni d'un couvercle étanche. Fermez le couvercle, éloignez le contenant de l'appareil, déposez-le sur une surface incombustible appropriée et laissez les cendres refroidir.
- D. Jetez les cendres.



note:

Placez les cendres dans un contenant métallique à couvercle étanche. Posez le contenant fermé sur une surface incombustible ou sur le sol, loin de toute matière combustible, en attendant l'élimination finale des cendres. Si les cendres sont destinées à être enterrées ou dispersées autrement localement, elles devraient demeurer dans le contenant métallique fermé jusqu'à ce qu'elles aient complètement refroidi.

10.2 formation et enlèvement de la créosote

Lorsque le bois brûle lentement, il produit du goudron et autres vapeurs organiques qui, se combinant à la vapeur d'eau évacuée, forment la créosote. Ces vapeurs se condensent dans le conduit relativement froid de la cheminée d'un appareil brûlant lentement. Par conséquent, le résidu de créosote s'accumule sur dans le conduit. Lorsqu'elle prend feu, la créosote produit un feu extrêmement chaud.

Inspectez votre cheminée pour des accumulations de créosote chaque deux mois pendant le saison de chauffage pour déterminer si une accumulation de créosote à former.

Si l'accumulation est excessive, nettoyez la cheminée pour réduire une feu du cheminée.

10.3 feu de cheminée ou feu hors contrôle

AVERTISSEMENT

- Un feu de cheminée peut endommager votre cheminée de façon permanente. Pour réparer ces dommages, vous devrez remplacer les composants endommagés. Les feux de cheminée ne sont pas couverts par la garantie à vie limitée.

CAUSÉS:

- L'utilisation d'un combustible inapproprié ou de morceaux de bois trop petits qui, normalement, auraient été utilisés comme bois d'allumage.
- Accumulation de créosote dans la cheminée.
- Une porte laissée entrouverte trop longtemps créant des températures extrêmes lorsque l'air est entraîné précipitamment par la porte ouverte.
- Si équipé; faire fonctionner votre appareil sans le bouchon de cendres mal installé.

SOLUTIONS:

- Ne brûlez pas de bois traité ou transformé, de charbon, de charbon de bois, de papier de couleur ou de carton.
- Ont nettoyé la cheminée régulièrement.
- Faites attention de ne pas surchauffer l'appareil en laissant la porte ouverte trop longtemps après l'allumage initial. Un thermomètre sur le conduit de raccordement ou sur le dessus de l'appareil serait utile.
- Si équipé, toujours faire fonctionner l'appareil avec le bouchon de cendres installée.

EN CAS DE FEU DE CHEMINÉE:

- Fermez la porte vitrée et la prise d'air de l'appareil (et l'amortisseur, si équipé).
- Ayez un plan d'évacuation bien compris de tous et désignez un lieu de rassemblement à l'extérieur. Préparez-vous à évacuer les lieux pour assurer la sécurité de chacun.
- Appelez votre service d'incendie. Ayez un extincteur sous la main. Contactez les autorités locales pour savoir quoi faire en cas de feu de cheminée.
- Après que le feu de cheminée est éteint et avant d'allumer un autre feu, nettoyez et inspectez la cheminée pour des signes de détérioration ou des fissures. Vérifiez également les matériaux combustibles autour de la cheminée et du toit.

10.4 nettoyage de la cheminée

La cheminée et l'appareil doivent être inspectés et nettoyés s'il y a lieu au moins une fois l'an. En cas d'utilisation fréquente du chauffage au bois, le nettoyage de la cheminée doit être fait au besoin pour éviter des feux de cheminée. Les systèmes d'évacuation des appareils à combustion contrôlée peuvent nécessiter un nettoyage aussi fréquent qu'une fois par mois. Cependant, cette fréquence dépend des habitudes de chauffage de la personne qui utilise l'appareil. À titre d'exemple, il est possible d'obstruer la cheminée d'un appareil à combustible solide en quelques jours si l'appareil brûle lentement et que la cheminée est froide.

note:

Les utilisateurs qui font toujours des feux chauds auront rarement d'importantes accumulations de créosote dans la cheminée.

Lors du nettoyage de la cheminée, certains éléments doivent être considérés :

- Les outils appropriés doivent être utilisés, incluant une brosse spécialement conçue pour le ramonage de la cheminée.
- Les conduits de raccordement, le registre et la cheminée doivent être nettoyés.
- La chambre de combustion et les déflecteurs doivent être nettoyés au besoin.
- La cheminée doit être inspectée et réparée au besoin, de préférence par un ramoneur ou un maçon qualifié.

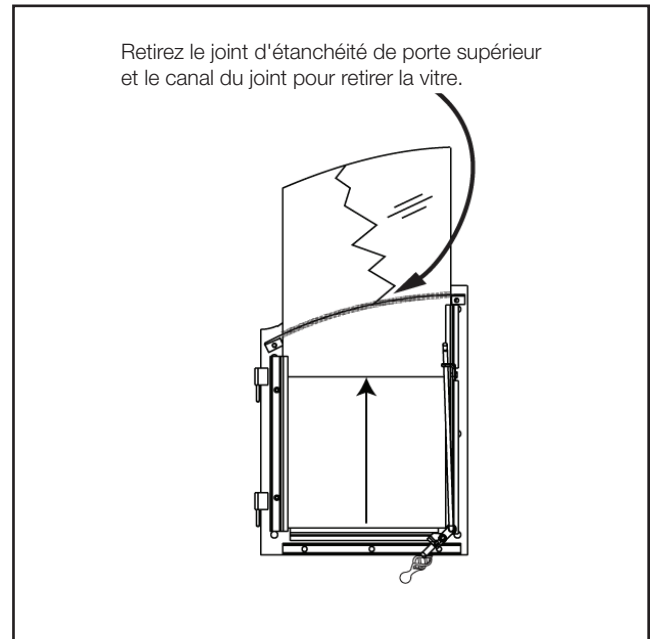
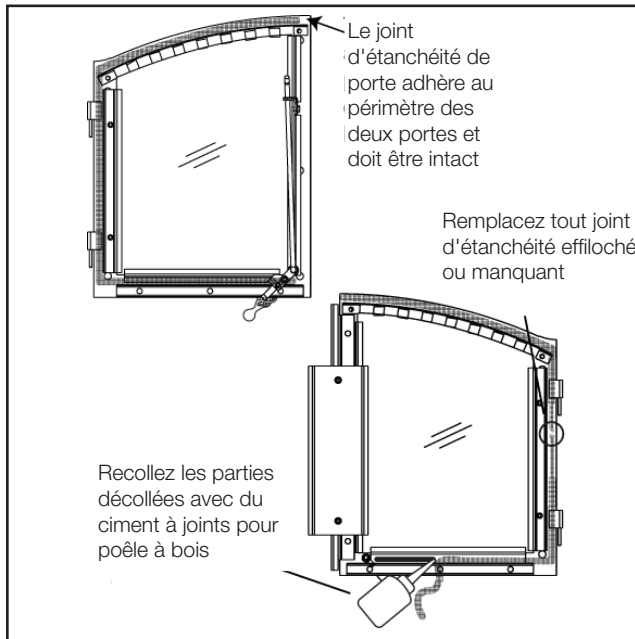
Pour plus d'informations sur l'inspection, la maintenance, ou le nettoyage de la cheminée, y compris les méthodes d'accès par le haut de la cheminée, référer aux instructions du fabricant de la cheminée.

! AVERTISSEMENT

- Assurez-vous que la vitre et le joint d'étanchéité sont entièrement insérés dans le cadre de retenue. Si la vitre ressort trop du cadre de retenue, elle se brisera lorsque vous fermerez la porte.

À la fin chaque saison de chauffage, inspectez le joint d'étanchéité de la porte pour vous assurer qu'il n'est pas usé ou lâche. Remplacez avec un joint de fibre de verre approprié. Le joint d'étanchéité est nécessaire pour sceller la chambre de combustion. Si les portes ne sont pas étanches, de l'air s'infiltrera dans la chambre de combustion, créant un feu à combustion rapide. Cette situation n'est pas souhaitable lorsque vous désirez faire un feu continu.

Remplacez immédiatement une vitre qui est brisée ou fissurée. Lors de l'installation, lorsque vous réinstallez une vitre, assurez-vous que la vitre et le joint d'étanchéité forment un joint étanche autour du cadre de la porte. Suivez les instructions suivantes pour retirez la vitre. Vous aurez possiblement besoin d'un outil plat pour insérer le joint d'étanchéité doucement entre la vitre et la porte.



10.6 soins de la vitre

! AVERTISSEMENT

- Ne pas nettoyer la vitre lorsqu'elle est chaude! N'employez pas de détergents abrasifs pour nettoyer la vitre.

Si vous ne nettoyez pas les dépôts régulièrement, la vitre risque de rester marquée en permanence. Normalement, un feu très chaud maintiendra la vitre propre. Les raisons les plus fréquentes pour lesquelles la vitre se salit sont:

- Trop peu de combustible est utilisé pour réchauffer suffisamment l'appareil.
- L'utilisation de bois vert ou humide.
- Le contrôle de combustion est trop fermé, créant une insuffisance d'air pour réaliser une combustion complète.

S'il est nécessaire de nettoyer la vitre, utilisez un linge doux avec un nettoyeur sans abrasif. Nettoyez la vitre avec un nettoyeur recommandé après les dix premières heures de fonctionnement. Par la suite, nettoyez aussi souvent qu'il le faudra.

La vitre est très résistante, mais ne laissez pas de bois en combustion s'appuyer contre elle. Fermez toujours la porte doucement.

! AVERTISSEMENT

LA VITRE CHAUDE CAUSERA DES BRÛLURES.

NE PAS TOUCHER LA VITRE AVANT QU'ELLE AIT REFROIDI.

NE JAMAIS LAISSER LES ENFANTS TOUCHER LA VITRE.

NE FORCEZ JAMAIS POUR LA FERMER!

Ne pas faire fonctionner l'appareil avec la verre brisé, les fuites de gaz de combustion peut résulter.

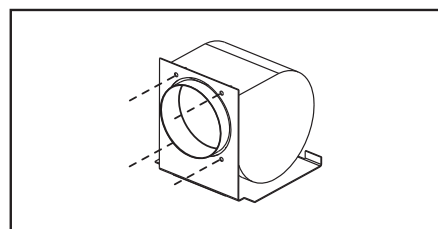
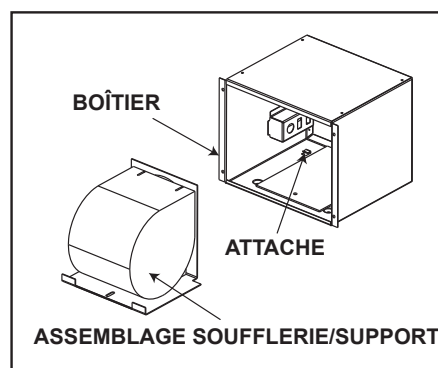
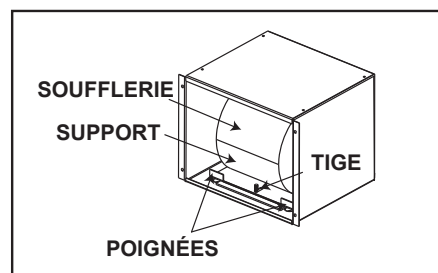
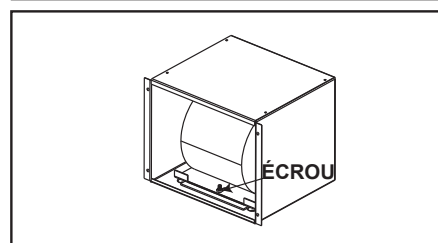
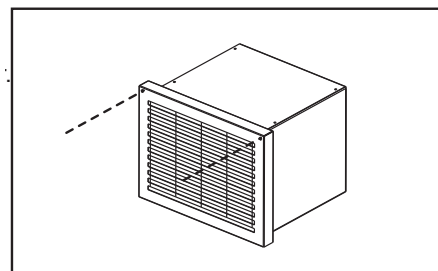
Contactez votre détaillant local autorisé pour les instructions de nettoyage complètes.

Si la vitre devait fissurer pendant que le feu brûle, n'ouvrez pas la porte jusqu'à ce que le feu s'éteigne et n'utilisez pas l'appareil jusqu'à ce que la vitre ait été remplacée par une nouvelle, disponible chez votre détaillant autorisé. **N'UTILISEZ PAS DE MATÉRIAUX SUBSTITUTS.**

L'appareil est muni d'une 5mm en verre céramique. Remplacez uniquement avec une pièce pour le foyer disponible chez votre détaillant autorisé. **N'UTILISEZ PAS DE MATÉRIAUX SUBSTITUTS.**

10.7 remplacement de la soufflerie NZ64

1. Retirez la grille et le filtre en retirant les deux vis.
2. Retirez l'écrou servant à fixer le support de la soufflerie au boîtier.
3. Soulevez les poignées afin de retirer la soufflerie et le support de la tige filetée.
4. Glissez le support et la soufflerie hors du boîtier.
5. Débranchez le connecteur de la soufflerie.
6. Retirez l'ancienne soufflerie du support en retirant les quatre vis.
7. Fixez la nouvelle soufflerie au support existant à l'aide des quatre vis.
8. Glissez le nouvel assemblage soufflerie/support dans le boîtier. Assurez-vous que le support de la soufflerie s'insère dans les attaches situées à l'arrière de chaque côté du boîtier.
9. Enfoncez l'assemblage aussi loin que possible dans le boîtier.
10. Fixez la nouvelle soufflerie au support existant à l'aide des quatre vis.
11. Fixez à nouveau la grille en réinstallant les deux vis.



11.0 pièces de rechange

FR

AVERTISSEMENT

- Omettre de positionner les pièces conformément à ce manuel ou d'utiliser uniquement des pièces spécifiquement approuvées pour cet appareil peut causer des dommages matériels ou des blessures corporelles.

Contactez votre détaillant pour les questions concernant les prix et la disponibilité des pièces de remplacement. Normalement, toutes les pièces peuvent être commandées chez votre détaillant autorisé.

Pour un remplacement de pièce sous garantie, une photocopie de la facture originale sera requise afin de pouvoir honorer la demande.

Lorsque vous commandez des pièces, donnez toujours l'information suivante:

- Modèle et numéro de série de l'appareil
- Date d'installation de l'appareil
- Numéro de la pièce
- Description de la pièce
- Fini

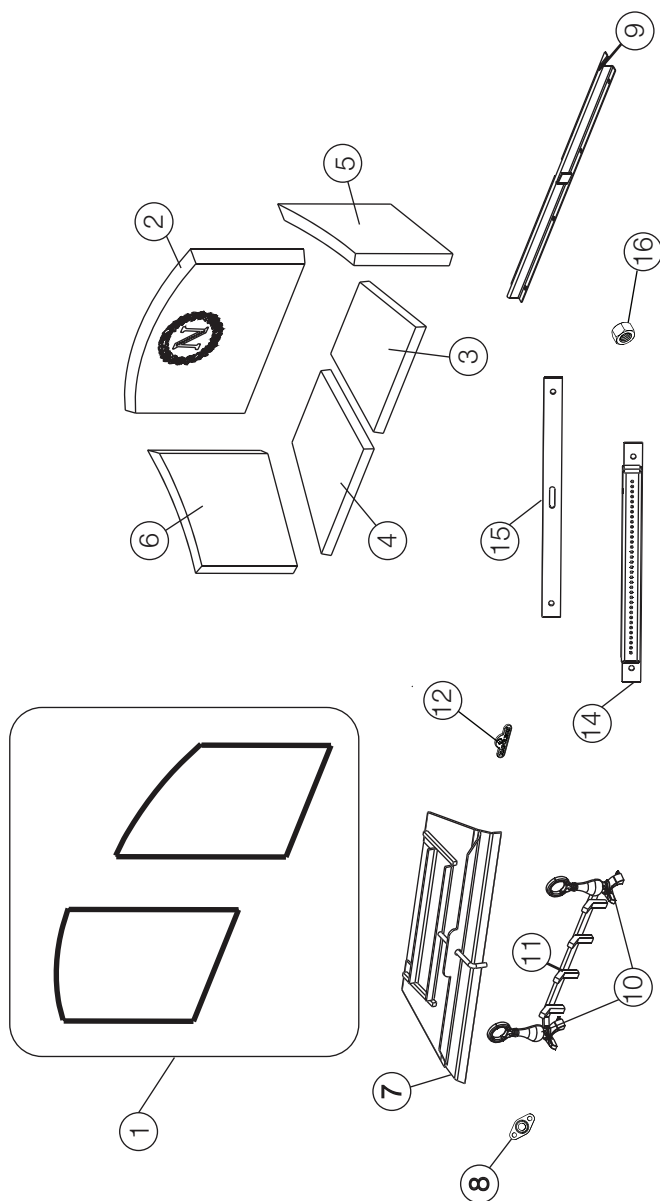
Pièces, numéro des pièces et s'il soit disponible peut changer sans préavis.

Parties identifiées comme garnie seront livrés dans 2 à 5 jours pour la plupart des destinations de livraison.

Pièces non identifiées que stockés seront livrés dans un délai de 2 à 4 semaines pour la plupart des cas.

Pièces identifiées comme « SO » sont commande spéciale et peuvent prendre jusqu'à 90 jours pour la livraison.

11.1 vue d'ensemble



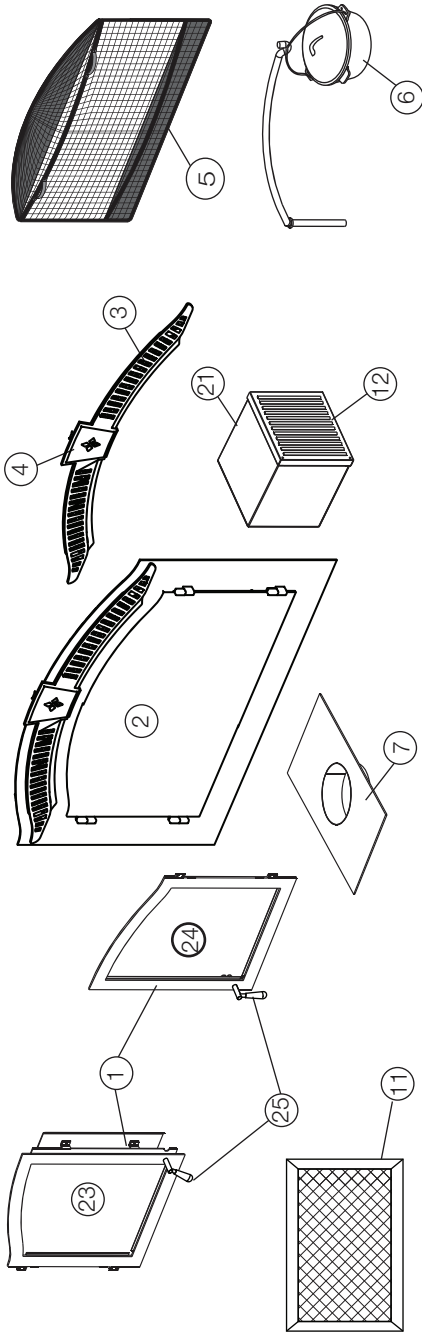
Ces articles peuvent différer de celles illustrées.

pièces de rechange

Réf.	No. de pièce	Description	En stock
11	W185-0020	Grille	
12	W385-2010	Logo Napoléon	Oui
13*	W410-0026	Conduit d'alimentation en air (10" x 6")	
14	W010-1594	Conduit d'air secondaire	
15	W290-0121	Joint d'étanchéité, conduit d'air secondaire	
16	W450-0028	Écrous hexagonale, laiton	

* Parties non illustrées.

Réf.	No. de pièce	Description	En stock
1	W010-1225	Vitre et joint d'étanchéité	Oui
2	W090-0099	Brique réfractaire arrière	
3	W090-0101	Brique réfractaire inférieure droite	
4	W090-0100	Brique réfractaire inférieure gauche	
5	W090-0098	Brique réfractaire latérale droite	
6	W090-0097	Brique réfractaire latérale gauche	
7	W010-1399	Assemblage d'amortisseur bypass	
8	W660-0065	Détecteur de chaleur	Oui
9	W010-1180	Assemblage du pare-cendres	
10	W715-0628	Chenets	Oui



Les articles peuvent différer de celles illustrées.

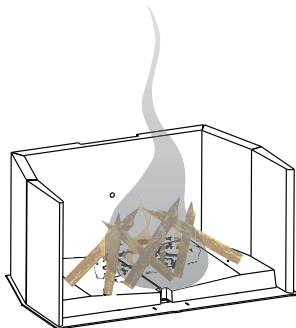
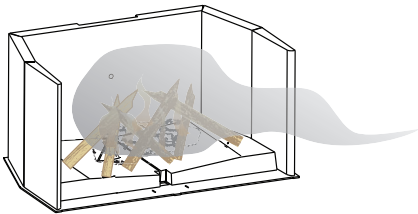
Réf.	No. de Pièce	Description	En Stock
1	H335-1K	Portes arquées noires	
1	H335-1WI	Portes arquées en fer forgé	
2	FPK-1	Façade noire	
2	FPWI-1	Façade en fer forgé	
3	UGK	Grille supérieure noire	
3	UGSC	Grille supérieure en fini chrome satiné	
4	KSK	Clé ornementale noire	
5	NSK6	Ensemble de pare-étincelles avec support de retrait	
6	CP	Chaudron et potence à chaudron	
7	NM228-M	Support d'ancrage ajustable	
8*	NZAC-KT	Collet de départ pour cheminée refroidie à l'air	
9*	NZ64	Ensemble de soufflerie	
10*	NZ-SMS	Déflecteur de fumée	
11	W250-0005	Filtre de la soufflerie	
Réf.	No. de Pièce	Description	En Stock
12	W305-0007	Grille de la soufflerie	
13*	NZ150-KT	Prise d'air pour évent de circulation	
14*	W690-0005	Thermostat 120V	Oui
15*	W175-0002	Bague d'accouplement de 8 po	
16*	NZ220-2	Évent flexible de 5 pi	
17*	NZ620-KT	Extension 6 po x 10 pi pour prise d'air extérieur	
18*	W010-0067	Support d'évent flexible	
19*	270	Peinture Thurmalox	
20*	W470-0017A	Peinture pour fer forgé	Oui
21	W062-0018	Soufflerie - NZ64	
22*	KB-35	Interrupteur à vitesse variable	
23	W010-1184	Assemblage de porte gauche	
24	W010-1183	Assemblage de porte droite	
25	W325-0029K	Poignée de porte - cage d'oiseau	Oui
26*	W410-0005	11.5 po x 8 po évent d'air	

* Parties non illustrées.

13.0 guide de dépannage

FR

SYMPTÔME	PROBLÈME	SOLUTIONS
De la fumée se répand dans la pièce durant l'allumage.	Blocage d'air froid dans la cheminée.	- Brûlez un morceau de papier journal pour créer un tirage.
Le bois d'allumage ne s'allume pas, le feu couve.	Blocage d'air froid dans la cheminée.	- Brûlez un morceau de papier journal pour créer un tirage.
	Pas assez de papier journal.	- Au besoin, utilisez plus de papier journal.
	Pas assez d'air.	- Ouvrez les portes légèrement, l'équivalent d'une petite fente seulement.
De la fumée se répand dans la pièce lors du rechargement.	Tirage insuffisant.	- La hauteur de la cheminée et les conditions extérieures peuvent nuire au tirage. Dans ces cas, il est possible qu'une petite quantité de fumée puisse refouler dans la maison. Augmenter la hauteur de la cheminée ou ajouter un chapeau à tirage induit peut aider. - Nettoyez la cheminée.
L'appareil ne devient pas suffisamment chaud.	Le bois est humide.	- Voir la section « SÉLECTION DU BOIS » pour plus de détails.
	Tirage insuffisant.	- La hauteur de la cheminée et les conditions extérieures peuvent nuire au tirage. Dans ces cas, il est possible qu'une petite quantité de fumée puisse refouler dans la maison. Augmenter la hauteur de la cheminée ou ajouter un chapeau à tirage induit peut aider. - Nettoyez la cheminée.
La soufflerie ne fonctionne pas.	L'appareil n'a pas encore atteint la température nécessaire.	- Ceci est normal. La soufflerie s'allumera lorsque l'appareil sera chaud.
	Pas de courant électrique à la soufflerie.	- Vérifiez si le disjoncteur ou le fusible est en fonction.
	La porte est entrouverte.	- Appliance door must be closed for blower to operate.
La façade est froide.	Ceci est normal.	- L'air qui pénètre dans la chambre de combustion pourrait provenir de l'extérieur. Dans ce cas, l'air entre dans la chambre de combustion et s'évacue par la cheminée. Ceci n'endommagera pas l'appareil.
L'appareil ne brûle pas durant toute la nuit.	Les portes ne sont pas étanches.	- Voir la section « REMPLACEMENT DE LA VITRE ET DU JOINT D'ÉTANCHÉITÉ » pour plus de détails.
L'appareil fume.		- Est-ce que la cheminée a pu se réchauffer suffisamment? - Est-ce que le passage de la fumée est bloqué soit dans la cheminée, soit dans l'appareil? - Est-ce que le tirage de la fumée est restreint par un tuyau horizontal trop long ou par un trop grand nombre de coudes? - Est-ce que le manque de tirage est causé par une cheminée non hermétique, une cheminée extérieure froide, une cheminée trop courte ou trop près des arbres ou d'un toit plus élevé?



14.0 garantie

FR

Les produits **Napoléon** sont fabriqués conformément aux normes strictes du Système de Gestion de la Qualité mondial reconnu ISO 9001 : 2015.

Les produits **Napoléon** sont conçus avec des composants et des matériaux de qualité supérieure, assemblés par des artisans qualifiés qui sont fiers de leur travail. Une fois assemblé, chaque appareil est soigneusement inspecté par un technicien qualifié avant d'être emballé pour garantir que vous, le client, recevez le produit de qualité dont vous vous attendez de **Napoléon**.

Garantie à Vie Limitée du Président des appareils à bois Napoléon

Les matériaux suivants et la fabrication de votre nouveau poêle à bois **Napoléon** sont garantis contre les défauts tant que vous en êtes le propriétaire. Pour les appareils aux granulés ceci couvre: le réservoir à granulés, le caisson extérieur, la vitre en céramique (cassure thermique seulement) et le tiroir à cendres.* Pour les appareils à bois ceci couvre: la chambre de combustion, l'échangeur de chaleur, l'attache du déflecteur en acier inoxydable, la vitre en céramique (cassure thermique seulement), les pièces plaquées or contre le ternissement, les composants en porcelaine émaillée, les moulures d'extrusion en aluminium, déflecteurs vortex, le tiroir à cendres et les pièces moulées en fonte.*

Pour l'appareil aux granulés la chambre de combustion et l'échangeur de chaleur sont garantis contre les défauts pour une période de 5ans.

Pour les appareils à bois équipée avec une système de guillotine du porte/écran il sera garanti contre les défauts pour une période de 5ans.

Les composants électriques (110V) et les pièces soumises à l'usure sont couverts et **Napoléon** fournira gratuitement les pièces de rechange durant la première année de la garantie limitée. Pour les appareils aux granulés ceci couvre: la soufflerie, l'interrupteur thermique et le tiroir à cendres.* Pour les appareils à bois ceci couvre: la soufflerie, l'interrupteur thermique, les interrupteurs, l'installation électrique, les briques réfractaires, tuyaux d'air secondaires et les joints d'étanchéité.*

Les coûts de main-d'oeuvre relatifs aux réparations garanties sont couverts gratuitement durant la première année, avec l'exception du système de guillotine du porte/écran qui sera couverts gratuitement pour une période de 3 ans. Cependant, les travaux de réparation nécessitent l'approbation préalable d'un représentant autorisé de la compagnie. Les coûts de main-d'oeuvre à la charge de **Napoléon** sont basés sur un programme de tarifs prédéterminés et tout travail de réparation doit être accompli par l'entremise d'un détaillant autorisé **Napoléon**.

Les pièces telles que les briques réfractaires et les déflecteurs devraient être retirées occasionnellement par l'opérateur dans le cadre d'un entretien normal. Par conséquent, les coûts de main-d'oeuvre associés au remplacement de l'une de ces pièces ne sont pas couverts par la garantie.

* La fabrication de chaque modèle varie. La garantie s'applique uniquement aux composants disponibles avec votre appareil.

Conditions et Limitations

Napoléon garantit ses produits contre les défauts de fabrication à l'acheteur d'origine seulement. L'enregistrement de la garantie n'est pas nécessaire. Fournissez simplement une preuve d'achat ainsi que le modèle et le numéro de série afin d'effectuer une réclamation de garantie.

L'achat doit avoir été fait par l'entremise d'un détaillant **Napoléon** autorisé et sous réserve des conditions et limitations suivantes:

La couverture de la garantie débute à partir de la date d'installation originale.

Cette garantie du fabricant n'est pas transférable et ne peut être prolongée ou étendue par aucun de nos représentants quelle qu'en soit la raison.

L'appareil à bois doit être installé par un installateur autorisée qualifié, une agence de service ou fournisseur. L'installation doit être faite conformément aux instructions d'installation incluses avec le produit et à tous les codes d'incendie et de construction locaux et nationaux.

Cette garantie limitée ne couvre pas les dommages causés par un mauvais usage, un manque d'entretien, un accident, des altérations, des abus ou de la négligence, et l'installation de pièces d'autres fabricants annulera cette garantie.

Cette garantie limitée ne couvre pas les dommages causés par un mauvais usage, un manque d'entretien, un accident, des altérations, des abus ou de la négligence, et l'installation de pièces d'autres fabricants annulera cette garantie.

Faire fonctionner l'appareil au réglage maximal pendant des périodes prolongées constitue de la négligence. L'installation de pièces d'autres fabricants annulera cette garantie.

Cette garantie limitée ne couvre pas non plus les égratignures, le bossellement, la corrosion ou la décoloration causée par une chaleur excessive, des produits d'entretien chimiques et abrasifs ou l'écaillage des pièces en porcelaine émaillée, le bris de tout composant de ventilation utilisé dans l'installation de l'appareil.

Au cours de la première année seulement, cette garantie s'étend à la réparation ou au remplacement des pièces garanties dont les matériaux ou la fabrication sont défectueux sous condition que le produit ait été utilisé conformément aux instructions de fonctionnement et dans des conditions normales.

Après la première année, concernant cette Garantie à Vie Limitée du Président, **Napoléon** peut, à sa discrétion, se libérer entièrement de toutes obligations en ce qui concerne cette garantie en remboursant à l'acheteur d'origine le prix de gros de toute pièce garantie qui est défectueuse.

Après la première année, **Napoléon** ne sera pas responsable de l'installation, de la main-d'oeuvre ou autres coûts ou dépenses relatives à la réinstallation d'une pièce garantie et de telles dépenses ne sont pas couvertes par cette garantie.

Nonobstant toutes les dispositions contenues dans cette Garantie à Vie Limitée du Président, la responsabilité de **Napoléon** sous cette garantie est définie comme ci-dessus et elle ne s'étendra à aucun dommage accidentel consécutif ou indirect.

Cette garantie définit l'obligation et la responsabilité de **Napoléon** en ce qui concerne l'appareil à bois **Napoléon**. Toute autre garantie énoncée ou implicite en ce qui concerne ce produit, ses composants ou accessoires est exclue.

Napoléon n'endosse ni n'autorise aucun tiers à assumer en son nom toute autre responsabilité concernant la vente de ce produit. **Napoléon** ne sera pas responsable d'une surchauffe, des refoulements, des déversements causés par des conditions environnementales telles que des toits, des bâtiments, la proximité d'arbres, de collines, de montagnes, une ventilation ou des événements inadéquats, des configurations d'évacuation excessives, un apport d'air insuffisant ou des pressions négatives qui peuvent ou non être causés par des systèmes mécaniques tels que les ventilateurs d'évacuation, les fournaies, les sèche-linge, etc.

Tout dommage causé à l'appareil, à la chambre de combustion, à l'échangeur de chaleur, aux garnitures plaquées ou autres composants par l'eau, les dommages causés par les intempéries, de longues périodes d'humidité, la condensation, des produits chimiques ou produits d'entretien nuisibles ne seront pas la responsabilité de **Napoléon**.

Le nettoyage régulier de la fine cendre générée durant le fonctionnement de cet appareil est nécessaire au bon entretien de votre appareil aux granulés. Tout dommage aux composantes qui est attribuable à un manque d'entretien ne sera pas couvert par cette garantie.

Napoléon se réserve le droit de demander à son représentant d'inspecter tout produit ou pièce avant d'honorer toute réclamation.

Toutes les pièces remplacées en vertu de la politique de Garantie à vie limitée du Président ne peuvent faire l'objet de l'objet d'une seule réclamation.

Durant les dix premières années, **Napoléon** remplacera ou réparera les pièces défectueuses qui sont couvertes par la garantie à vie limitée à sa discrétion gratuitement. Après les dix premières années, **Napoléon** fournira les pièces de rechange à 50 % du prix de détail courant.

Toutes les pièces remplacées au titre de la garantie seront couvertes pour une période de 90 jours à partir de leur date d'installation.

Le fabricant peut exiger que les pièces défectueuses ou les produits soient retournés ou que des photos numériques soient fournies pour valider la réclamation. Les produits retournés doivent être expédiés port payé au fabricant pour une inspection en usine. Si un produit est déclaré défectueux, le fabricant le réparera ou le remplacera.

Avant d'expédier votre appareil ou les pièces défectueuses, votre détaillant doit obtenir un numéro d'autorisation. Toute marchandise expédiée à notre usine sans autorisation sera refusée et retournée à l'expéditeur.

Les coûts d'expédition ne sont pas couverts par cette garantie.

Des frais de service supplémentaires peuvent être appliqués si vous cherchez à obtenir des services au titre de la garantie auprès d'un détaillant.

Les indemnités de main-d'oeuvre au titre de la garantie s'appliquent uniquement pour le remplacement d'une pièce garantie. Les frais de déplacement, de tests de diagnostic, d'expédition et autres frais afférents ne sont pas couverts par cette garantie.

Toutes les spécifications et les conceptions sont sujet à modifications sans préavis en raison des améliorations constantes apportées au produit.

Napoléon est une marque de commerce déposée de Wolf Steel Ltée.

15.0 historique de service

Historique de service de l'appareil Cet appareil doit être entretenu annuellement selon son usage.				
Date	Déaillant	Nom du Technicien	Travail Effectué	Problèmes Particuliers

NAPOLÉON CÉLÈBRE PLUS DE 40 ANS D'EXISTENCE CONSACRÉS À LA CONCEPTION DE PRODUITS DE CONFORT



7200, Route Transcanadienne, Montréal, Québec H4T 1A3
24 Napoleon Road, Barrie, Ontario, Canada L4M 0G8
214 Bayview Drive, Barrie, Ontario, Canada L4N 4Y8
103 Miller Drive, Crittenden, Kentucky, USA 41030

Téléphone: 1-866-820-8686
napoleon.com