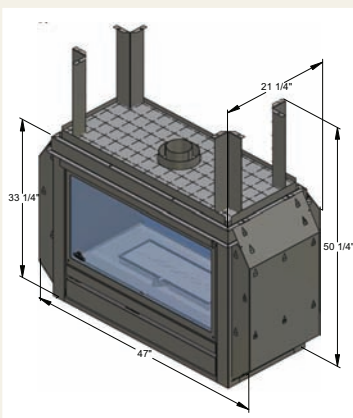


LOO



**CLASSIC AMBIENCE**

The classic look of the LOO model gives you the traditional look of old fireplaces. It is a timeless model. The innovative configuration of the gas burner creates the most stunning flames and a heating power of up to 32,000 BTU/h and is available with natural or propane gas.



Model	LOO (insert)			
BTU's (Input)	NG	LPG	Min. BTU	Glass type
	25,000	27,000	12,500	Tempered
		32,000	17,280	Tempered Ceramic
Venting	Top	Rigid venting	Flex venting	
		4" X 6 3/4"	4" X 7"	
Dimensions	Real	Framing		
	• Height	33 3/4"	50 1/4"	
	• Width	39"	47"	
	• Depth	17 1/2"	21 1/4"	
Glass size	Real	Framing		
	• Large	30 1/2"	33 1/2"	
	• Small	9 3/4"	11 3/4"	
Glass area (in <sup>2</sup> )	526			
Steady state	79%			
Blower/fan kit	Option			
Electronic ignition	Yes			

Certified under national Canadian and American standards ANSI Z21.50-2012 • CSA 2.22-2012 for direct vented gas fireplace

**ADVANTAGES AND FEATURES**

- Up to 32,000 BTU
- Full-vision fireplace
- Clear glass embers included
- Very realistic logs (optional)
- Electronic ignition with battery-powered troubleshooter and adjustable heat and flame height control
- Reversible inside panel with brick pattern on one side and black metallic finish on the other side
- Top exhaust vent
- Protective grille included
- Original burner design for an unparalleled flame
- PROFLAMME 2 remote control included
- Available for propane or natural gas
- "SmartCase™" cartridge exclusive to J. A. ROBY
- Certified for all the rooms in the house
- Can work with or without electricity
- Backed by the J. A. ROBY limited lifetime warranty

LOO



**Obadiiah's**

**1-800-968-8604**

---

**WOODSTOVES**

*Serving you online since 1999*