

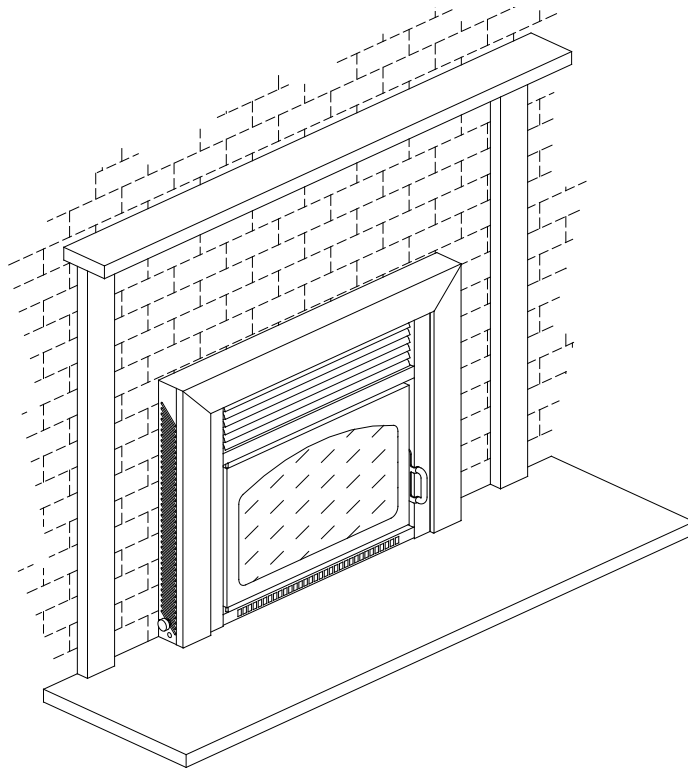
# FIREPLACE INSERT, MODEL «VOLCANO PLUS »

Tested and certified to ULC S628-M93, UL 1482-1996 standards and EPA 28  
by Intertek Testing Services



## OWNER'S MANUAL - INSTALLATION - OPERATION

**Save These Instructions for Future Reference**



Manufactured by:  
SUPREME FIREPLACES inc.  
3594 Jarry East  
Montreal, QC, H1Z 2G4  
Tel: (514) 593-4722 Fax: (514) 593-4424  
[www.supremem.com](http://www.supremem.com)

SUPREME FIREPLACES INC. warrants its factory-built fireplaces will be free from defects in material and workmanship, under normal use and service, for a period of twenty-five (25) years from the date of purchase.

This warranty is only intended for the original retail purchaser, given that the product was purchased from SUPREME FIREPLACES INC. or one of its distributors. This warranty is conditional upon correct installation and intended use of our products and does not cover damages caused by misuse of the products. This warranty shall be void if the fireplace is not installed by an authorized qualified technician in accordance with the installation instructions in the manual provided with this product. The installation must meet local and national building codes.

**WARRANTY LIMITATIONS:**

1. During the first two years of the Limited Warranty, SUPREME FIREPLACES INC. will provide replacement parts at no charge and will also pay for reasonable labor costs for repair work, except for the parts listed below.

**EXCLUSIONS**

SUPREME FIREPLACES INC. shall not be responsible for any labor cost for the following parts.

The following parts are guaranteed for two years: blowers, painted or plated parts, secondary air burning system.

The following parts are guaranteed for one year: door gasketing.

The following parts are guaranteed for 90 days: ceramic glass (Thermal Breakage only).

2. During the third through the fifth year of the limited warranty, SUPREME FIREPLACES INC. will provide replacement parts (if available) at no charge, except for the parts mentioned above. Supreme Fireplaces Inc. shall not be responsible for any labor costs.
3. From the sixth through the twenty-fifth year of the limited lifetime warranty, SUPREME FIREPLACES INC. will provide replacement parts (if available) at 50 % of the retail price, except for the parts mentioned above in exclusions. SUPREME FIREPLACES INC. shall not be responsible for any labor costs.

Transportation and other related costs or expenses arising from the replacement or repair of defective parts will not be covered by this warranty, nor will SUPREME FIREPLACES INC. assume responsibility for them.

**This warranty applies to normal residential use only. Damages caused by misuse, abuse, improper installation, over firing, abrasives, chemical cleaners, processed wood, ecological logs, negligence are not covered by this warranty.**

**SUPREME FIREPLACES INC will not be responsible for environmental conditions such as inadequate vents or ventilation, excessive venting configurations or negative air pressures which may or may not be caused by mechanical systems such as exhaust fans, furnaces, clothes dryers, etc.**

The manufacturer at its discretion may decide to repair or replace any part or unit after inspection and investigation of the defect. The manufacturer may, at its discretion, fully discharge all obligations with respect to this warranty by refunding the wholesale price of the defective part(s).

The manufacturer shall in no event be responsible for any consequential damages of any nature, which are in excess of the original purchase price of the product.

Any complete fireplace, or part thereof, that is replaced or serviced under this warranty will be warranted for a period not exceeding the remaining term of the original warranty.

**This limited Lifetime Warranty is effective on all appliances sold after February 1<sup>st</sup>, 2008 and supersedes any and all warranties currently in existence.**

**FOYER SUPREME, MODEL "VOLCANO PLUS"****IMPORTANT**

*Read all instructions carefully before installing and operating your fireplace insert and keep these instructions for future reference. Failing to follow these instructions could cause serious harm and property damage. Contact your local building or fire officials for restrictions and installation inspection requirements in your area.*

*Modifications brought to any part of the fireplace insert could seriously damage the fireplace insert, alter its efficiency, and predispose the user to hazardous risk.*

**CAUTIONS:**

1. Never burn garbage, gasoline, gasoline-type lantern fuel, kerosene, charcoal, lighter fluid or similar liquids to start or "freshen-up" the fire.
2. Never overheat your fireplace insert. Overheating may result in a chimney fire if there is an excessive creosote accumulation. However, you may add wood every hour or so to maintain a good fire. This will reduce the creosote accumulation in your chimney.
3. Dry wood burns longer and creates less creosote. Whereas, green moist wood is harder to ignite, gives less heat and builds creosote in your chimney.
4. Keep your fireplace insert door closed at all times except when you are adding wood. Operating your fireplace insert with the door open will result in an uncontrolled fire, which may be hazardous to your property.
5. Do not place fuel or any combustible material within the minimum clearances surrounding the fireplace insert.
6. Keep all inflammable liquids away from the fireplace while it is burning.
7. Never touch the metal surface or the glass when the fireplace insert is burning.
8. Worn parts should always be replaced by new parts supplied by the manufacturer.
9. The flue pipe and the chimney should be inspected periodically and cleaned if necessary.

**WARNING:**

- **DO NOT CONNECT THIS UNIT TO A CHIMNEY FLUE SERVING ANOTHER APPLIANCE.**

## MINIMUM CLEARANCES TO COMBUSTIBLES

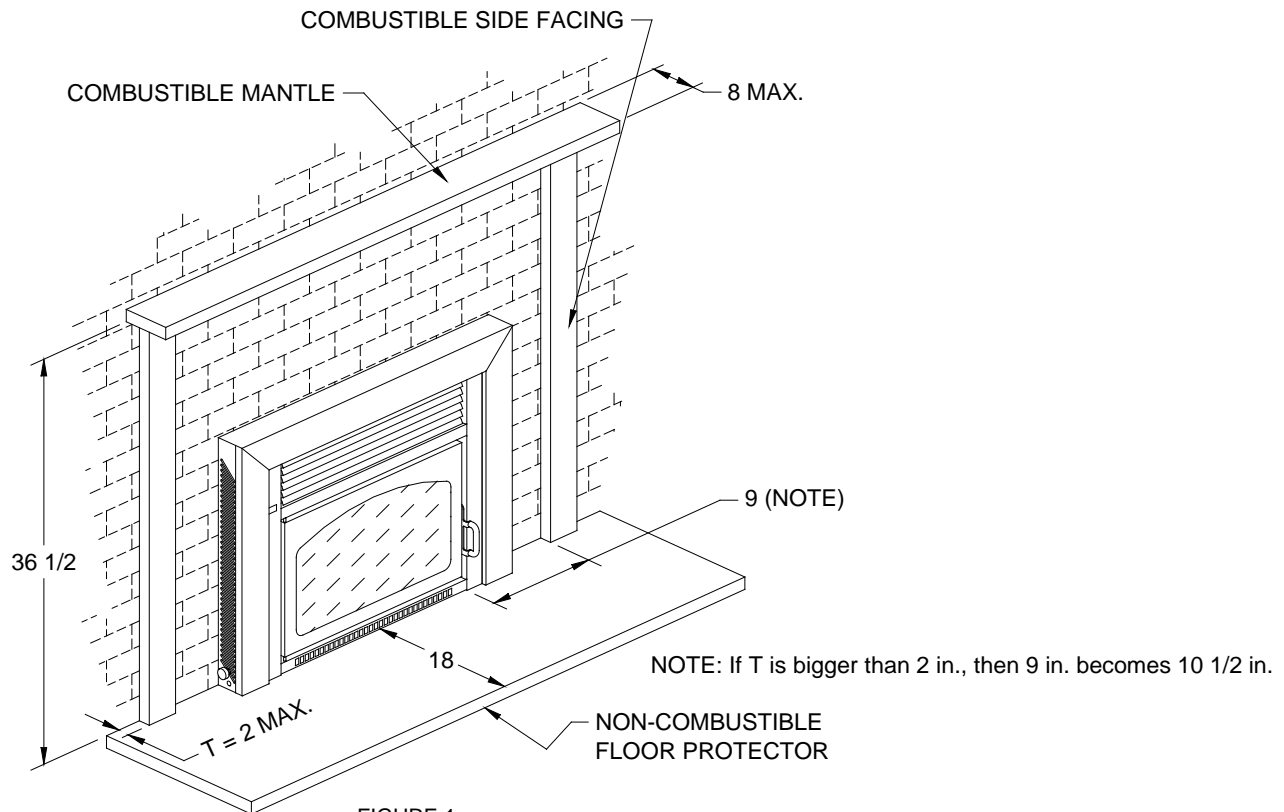


FIGURE 1  
Minimum distances to combustibles

## FIREPLACE INSERT INSTALLATION

### General Notes:

*Read these instructions carefully before commencing the installation.*

*Failure to follow instructions may result in property damage, body injuries, or even death.*

Be sure that the fireplace and chimney are clean and in good condition. Seal all cracks using stove cement. Seal permanently any openings between the masonry of the fireplace and the facing masonry.

Eliminate the existing damper from the fireplace.

If there is an accumulation of creosote in the chimney or flue, it must be thoroughly cleaned.

When installing, operating and maintaining a solid fuel heater, respect basic standards for fire safety.

The insert is intended only for masonry fireplaces constructed in accordance with the standards for fireplaces, chimneys, vents and solid fuel burning appliances NFPA 211 in the USA, CSA B365 in Canada and all National and Local Building code standards.

**WARNING:** Do not remove bricks or mortar from the fireplace.

This fireplace insert must be installed with a continuous chimney liner of 6 in. diameter extending from the fireplace insert to the top of the chimney. The chimney liner must conform to the Class 3 requirements of CAN/ULC-S635, Standard for Lining Systems for Existing Masonry or Factory-Built Chimneys and Vents or CAN/ULC-S640, Standard for Lining Systems for New Masonry Chimneys.

**PIECES REQUIRED**

- 1 Firebox
- 2 Fixing plate
- 3 Side support
- 4 Rear support
- 5 Flexible liner 6 in. dia. or a combination of flexible and rigid liner 6 in. dia.
- 6 Flue collar
- 7 Flue collar flange
- 8 Face

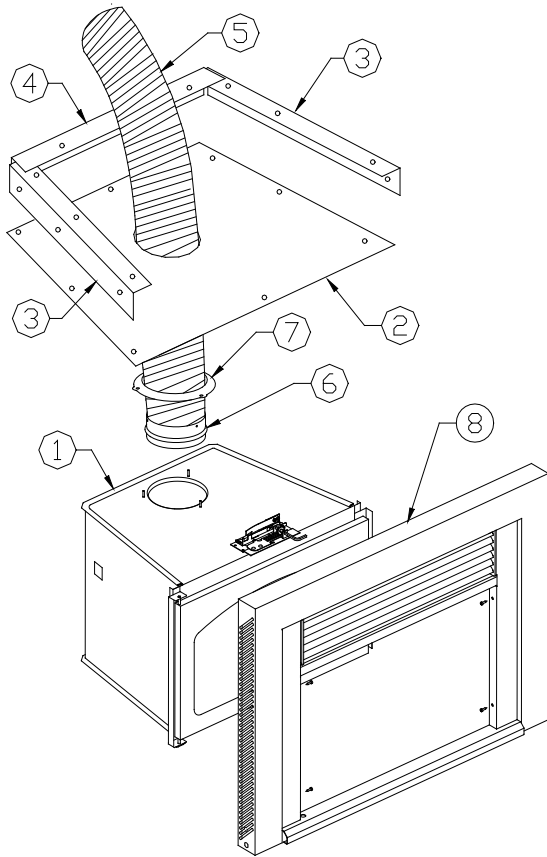


FIGURE 2  
Pieces required

**1- SUPPORT INSTALLATION**

Determine and cut supports to the proper size.

Note: The supports can overlap at the rear.

**2- FIXING PLATE INSTALLATION**

To cut the fixing plate to the appropriate dimensions:

- a) Measure the widths of the front and rear at the top of the fireplace.
- b) Measure the depth at the top of the fireplace.
- c) Place the fixing plate on a flat surface. To determine the depth of the fixing plate extend the measuring tape so that the 10 1/2 in. mark of the tape is at the beginning of the hole and extend the

**VERIFICATION**

Minimum size of the fireplace must be:

- Depth 20 in.
- Width 30 in.
- Height 23 in.

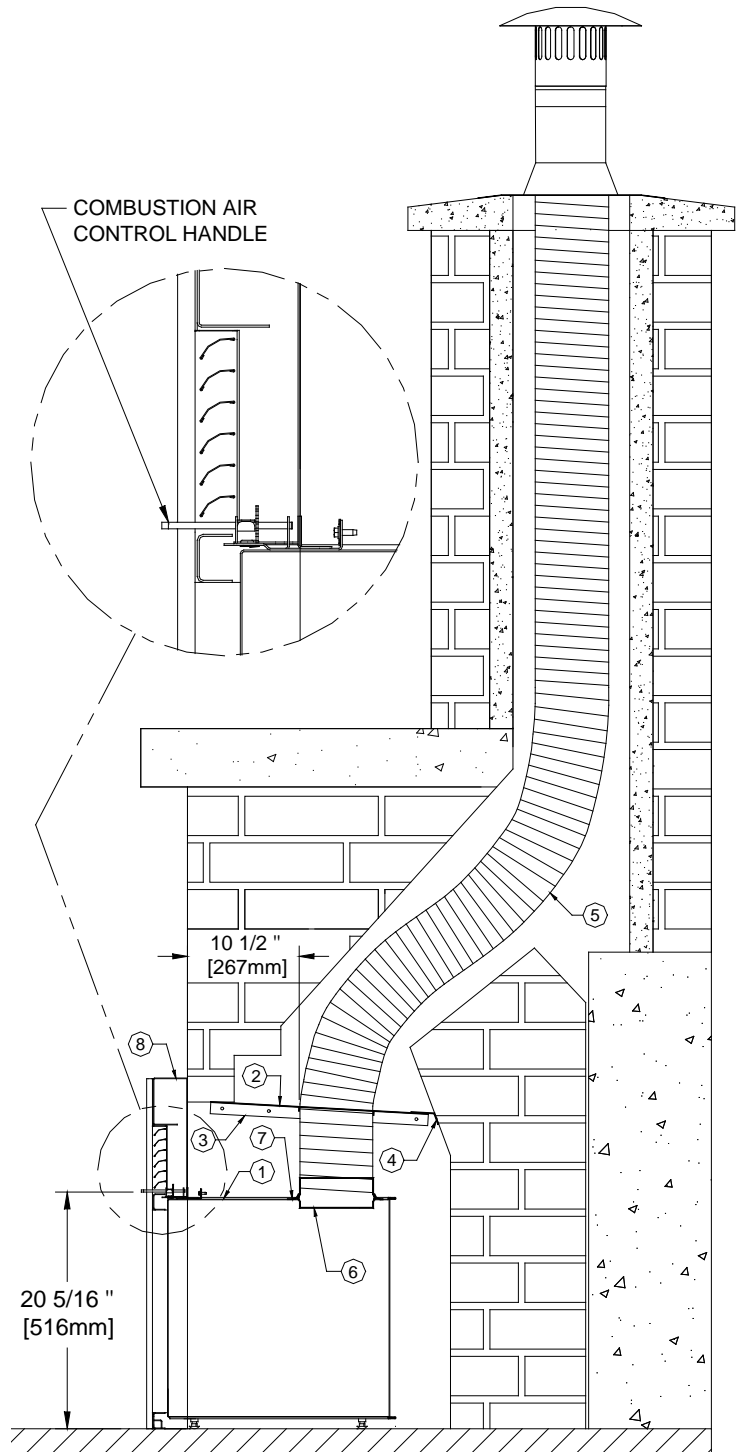
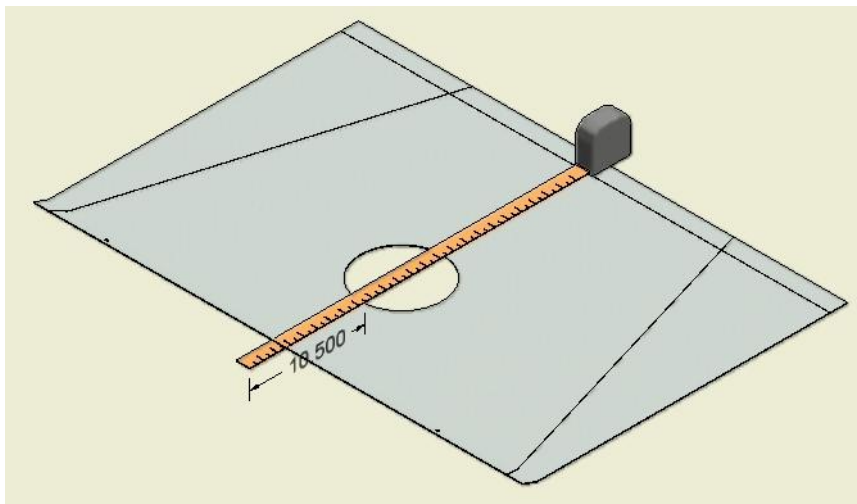


FIGURE 3  
Installation

measuring tape from that point on to the measured value of the fireplace depth. Cut the fixing plate accordingly.

- d) Install the liner starting from the top of the chimney.
- e) Extend the liner up to approximately 23 in. from the hearth of the fireplace.
- f) Pass the flexible liner through the fixing plate opening.
- g) Press the fixing plate against the support brackets. Assure that the distance between the face of the fireplace and the liner is 10 1/2" (267 mm) (FIGURE 3).
- h) Screw the fixing plate to the support brackets.
- i) Install the flue collar assembly at the end of the liner and secure it with three screws.



### 3- METAL TAG INSTALLATION

Fix the metal tag warning with screws or nails on the fireplace hearth. The tag must be readily visible should the fireplace insert be removed.

Note: The fireplace must be inspected by a qualified person prior to re-use as a conventional fireplace.

### 4- FIREBOX INSTALLATION

Note: To facilitate installation, remove the door from the firebox. To remove the door, start by pulling out the lower pin end until it is removed from its hole. Then, lower the door until the upper door pin end is removed from its hole.

- a) Slide the firebox in the fireplace.
- b) Adjust the firebox height and level by screwing/unscrewing the three bolts of the firebox bottom.
- c) Insert the flue collar in the firebox top.
- d) Align the flue collar flange with the three studs and fasten with nuts.
- e) Install the face and fix it with four self-tapping screws, two on either side of the face.
- f) Install the door.
- g) Inspect the installation and level if necessary using the adjustable legs.

Note: The adjustable legs are accessible from the inside of the firebox and can be adjusted with a flat screw driver.

## OPERATION INSTRUCTIONS

**Important note: This fireplace insert has been designed to only burn with the door closed.**

### WOOD

The VOLCANO PLUS fireplace insert is designed to burn good quality, dry cordwood. The suggested length of a log is 18 in. and should preferably be in halves or quarters. Excessive moisture content in firewood causes excessive creosote deposits in the chimney, which could lead to a chimney fire. Cordwood should be split and left to dry one year prior to use.

DO NOT burn coal, construction lumber, plastics, garbage or other foreign materials in your fireplace.

Never use gasoline, gasoline type lantern fuel, kerosene, charcoal lighter fluid, or similar fluids to start or "freshen up" a fire. Keep all such liquids well away from the fireplace insert while it is in use.

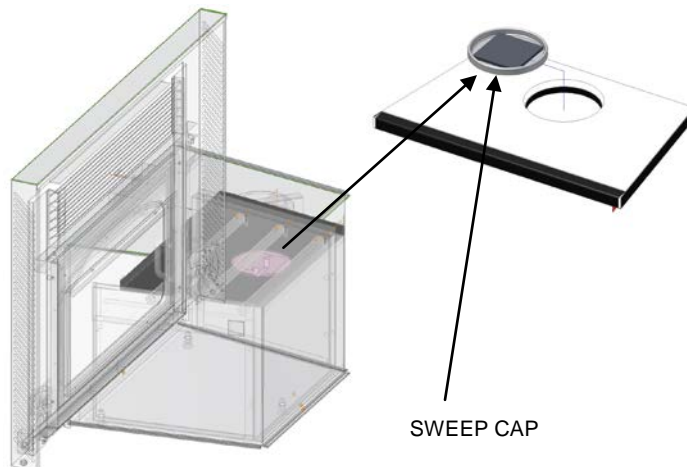
### CREOSOTE FORMATION AND THE NEED FOR REMOVAL

When wood is being burned slowly, tar and other organic vapors are produced. When combined with expelled moisture, creosote is formed. The creosote vapors condense in the relatively cool chimney flue of a slow burning fire. As a result, creosote residue accumulates on the flue lining. When ignited, this creosote makes an extremely hot fire. The chimney connector and chimney should be inspected at least once every two months during the season it is being heated in order to determine if a creosote build-up has occurred. If the creosote build-up exceeds 3 mm (1/8 inch) it should be removed to minimize the risk of a chimney fire.

### TO SWEEP THE CHIMNEY

- 1) Open your fireplace door.
- 2) Push the chimney sweep cap upwards and place it on the side. The chimney sweep cap is located on top of the tow stainless steel combustion pipes.
- 3) Close the fireplace door.
- 4) Sweep the chimney.
- 5) Open the door of the fireplace and empty out all the residues.
- 6) Place back the chimney sweep cap.

Note: The chimney sweep cap is sealed with silicon for transport. After the first fire, the silicon will burn and you will be able to move the cap.



### COMBUSTION CONTROL

The burn rate and the heat output are related to the amount of combustion air. The control handle rotates from the right (maximum) to the left (minimum) position (Figure 12). It can also be pushed inwards to allow additional air in for start-up or when a new charge of wood is being loaded.

### OPERATION OF THE COMBUSTION AIR CONTROL MECHANISM

When starting the fire or when adding a new charge of wood, the fireplace needs additional air in order to establish a good fire. When the wood starts to burn properly, the amount of air can be reduced depending on the heating requirements.

The control mechanism provides automatic means to gradually reduce the combustion air to the preset amount.

The preset amount will be established by the operator, depending on his heating requirements, the type and condition of the wood being used.

To determine the preset amount, the user will have to use the fireplace for several days, placing the control handle at different positions between minimum and maximum.

After establishing a position for the control, push the control handle fully inwards and then pull it back when starting a fire in order to maximize the combustion air. The combustion air will gradually reduce to the pre-set position when the wood will start to burn properly.

**Note:** Once the control handle has been pushed inwards, it is not possible to reduce the combustion air by rotating the control handle. The fireplace must burn at a good rate and for a given period of time in order to allow the control to gradually reduce the amount of combustion air to the preset amount.



**Figure 12**

The control can rotate from minimum to maximum. It can also be pushed in and pulled out.

**WARNING: READ THE OWNER'S MANUAL CAREFULLY. Also read the following brief instructions before using your fireplace.**

Note: It is important to assure that a flame is maintained. If the flame is not maintained, reestablish it by cracking the door open again. **Do not leave the fireplace with the door unlocked without supervision.**

**Caution:** The wood should be placed away from the door to avoid damage to the glass.

**WARNINGS:** Over firing the unit may result in overheating and can damage the fireplace and/or result in fire hazards. The maximum firewood load must not exceed 5 medium sized logs (approximately 30 pounds). Open the door to reload only when the wood has been reduced to charcoal, otherwise there is a risk of smoke infiltration into the house.

- This fireplace has been designed to burn with the door closed. When the fireplace is being used, the door should only be opened when adding more wood.

### STARTING THE FIRE

Assure that all the safety precautions mentioned in the owner's manual are being respected.

1. Place two logs in the firebox. The logs should sit directly on the hearth. Do not use a fireplace grate.
2. Add a fire starter on top of the two logs.
3. Place a log on either side of the fire starter and on top of the first set of wood.
4. Place one last log directly above the firestarter, but with a clearance of 1-3 inches.
5. Push the automatic air control handle inwards and pull it back outwards.
6. Light the fire starter.
7. Keep the door open until the fire starter is well lit. Do not leave the door open for more than 2 minutes.
8. Close the door.



Figure 13 - Not Recommended

### Summary of Operation of the Automatic Air Control:

1. Select the burning rate for the season.
2. Push and retract the control handle when starting the fire or when adding wood.

### ADDING A NEW CHARGE OF WOOD

When the wood has been reduced to embers, you may add a new load.

1. Bring the wood near the fireplace.
2. Reactivate the automatic air control.
3. Unlock the door for 2-3 minutes to activate the remaining charcoal.
4. Open the door slowly and add 2-3 logs.
5. Push the door closed without locking it. Hold the door closed until you establish a flame.
6. When a solid flame has been established, lock the door.



Figure 14 - Recommended  
Wood  
Firestarter

Please visit us online at [www.supremem.com](http://www.supremem.com) to watch the video on how to start a fire.



## CLEARANCE OF THE FRONT OF THE FIREPLACE

The minimum distance between the front of the fireplace and any combustible material such as firewood, furniture, drapes, etc, is 5 feet (152 cm). Do not place such materials within this minimum distance to minimize the risk of fire hazards.

## DISPOSAL OF ASHES

Ashes should be removed from the insert after every few days of use or when ashes pile from 2 to 3 inches in height. Ashes should be placed in a metal container with a tight lid, taken outside and placed on a non-combustible floor or on the ground, well away from all combustible materials, pending final disposal. If the ashes are disposed in the soil or locally dispersed, they should be retained in a closed container until all cinders have been cooled.

### CAUTIONS:

- Ashes could still contain hot embers two days after having used the fireplace.
- The ash container can become very hot: wear gloves to prevent injury.

## CHIMNEY FIRES

If you have a chimney fire, follow these steps:

- 1) Close the door of your fireplace.
- 2) Insert the handle extension in the combustion control handle and move it to its furthest clockwise position.
- 3) If you require assistance, call your local fire department.
- 4) Use a dry chemical fire extinguisher, baking soda or sand to control the fire.

**DO NOT USE WATER to extinguish the fire. It may cause a dangerous steam explosion.**

DO NOT USE YOUR FIREPLACE again until the chimney has been inspected by a qualified chimney sweeper or by a fire department.

## FRESH AIR

Adequate replacement air is necessary for proper fireplace operation. Air is required for combustion and to maintain a draft.

If the house is airtight, combustion equipment may not function properly. If the combustion equipment, which includes the fireplace, is starved of the air necessary to function, it will be necessary to provide a source of fresh air into the dwelling. This may be done by using heat exchanger units or simply by opening a window slightly.

## GLASS DOOR

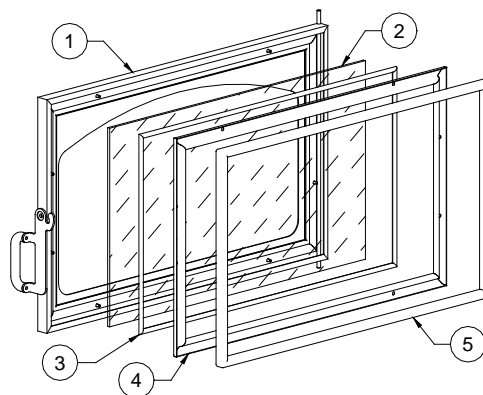
The glass door of your VOLCANO PLUS must be treated with care. Do not slam the doors shut or build the fire too close to the glass. Do not overfire. Excessive temperatures or impacts may lead to the breaking of the glass door.

The glass panel of your VOLCANO PLUS is cut from heat-resistant ceramic type "ROBAX" glass, 5 mm (nominal) thick. The panels are factory-cut and edge polished to remove residual micro cracks.

If your glass door cracks or breaks, replace the panel immediately. Do not use the VOLCANO PLUS with a cracked or broken glass door: overheating and fire hazards may result.

To repair a broken glass door, follow the steps indicated below:

1. Order a pre-cut replacement panel, a door gasket and a glass gasket from your dealer. Use only ceramic glass of 5 mm minimum thickness, 13 5/8" x 24 1/4".
2. Remove the door; open the door and raise it enough to get outside of its hole the door lower rod, then pull slightly the lower part of the door and lower the door until the upper rod goes out of its hole.



1. Door frame
2. Glass 13 5/8" x 24 1/4"
3. Glass gasket
4. Glass supports
5. Door gasket

3. Take out the door gasket in order to get access to the nuts fixing the glass supports to the door frame.
4. Remove the nuts, the glass supports and the glass gasket.
5. Take off the broken pieces from the door frame using pliers. Watch for cuts. Clean the frame carefully to insure that it is free of small fragments.
6. Insert the new glass into the door frame: it must be centered in such a way to avoid contact between the glass and the supports.
7. Apply a bead (width between 1/8" and 5/32") of high temperature silicone on the glass while following its outline and fix on it the new glass gasket.
8. Fix the glass supports to the door frame. Do not over tighten the nuts.
9. Clean the slot embedding the door gasket and apply on the bottom of the slot a bead (width between 5/32" and 3/16") of high temperature silicone.
10. Install the new door gasket in the slot.

**WARNINGS:**

- Never operate the VOLCANO PLUS without a gasket or with a damaged one.
- Do not use substitute materials.

**GLASS CLEANING**

The glass door should be cleaned with a soft cloth, using a non-abrasive solution such as soap and water, if necessary.

Abrasive cleaners will produce surface scratches and reduce panel transparency and resistance to impacts. Commercial glass cleaners such as KEL KEM give better results.

The glass should be cleaned when the fireplace is not in use. Do not clean glass when it is hot.

**FANS**

The VOLCANO PLUS fireplace insert is equipped with two factory installed fans thermostatically controlled.

Plug the power cord into the nearest 115 Volts outlet.

**REMOVAL OF THE FIREPLACE INSERT**

For the purpose of inspecting the fireplace insert and the fireplace, it is possible to remove the insert.

**WARNING:** To avoid possible burns, make sure the fireplace insert is cold before its removal.

1. Remove the ashes from the firebox.
2. Unplug the blowers' power cord.
3. Remove the door and unscrew the four screws (two on each vertical mount of the face), which fix the face to the firebox.
4. Remove the face.
5. Make marks to facilitate the reinstallation of the firebox.
6. Unscrew the three nuts fixing the flue collar to the firebox top.
7. Push up the flue collar until it goes out of the firebox top.
8. Slide the firebox out of the fireplace.

REPLACEMENT PARTS		
CODE	DESCRIPTION	ITEM
PASP1000	Primary Air control	
CPSP0140 CPSP0150 CPSP0160	Secondary air pipes	
DOSP2051	Glass Ceramic 5mm 13.63 x 24.25 in	
WP32	Door handle	
LR59458 SY	Fan	
KBMC-13BV	Fan speed control	
T-O-D36T22	Thermo disk	
DOSP2071	Door Gasket rope 5/8 in x 7 feet	
DOSP2061	Glass Gasket rope 3/8 in x 7 feet	
VOLP1070	Firebox Pipes Support Panel	
VOLP1060	Firebox Secondary Air Panel	
VOLP1080	Firebox Rear Panel	



**Obadiiah's**

**1-800-968-8604**

---

**WOODSTOVES**

*Serving you online since 1999*