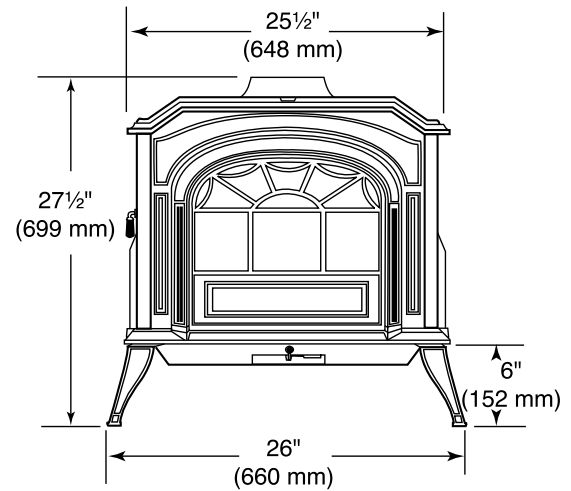


PRODUCT SPECIFICATIONS  
**RESOLUTE ACCLAIM NON-CATALYTIC  
 WOOD STOVE**

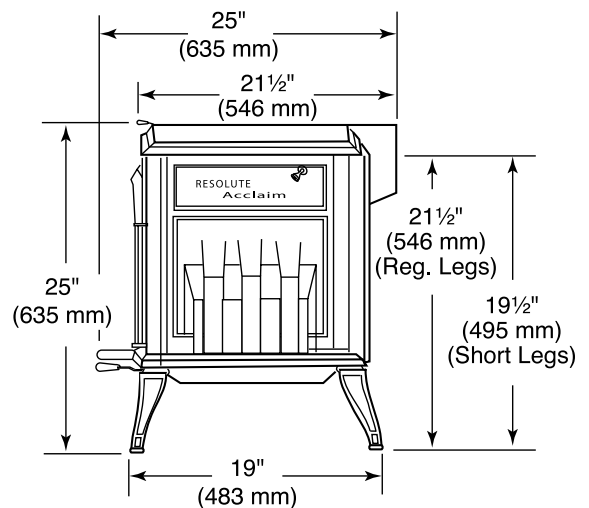


**ACTUAL DIMENSIONS**

Unit Depth: 23" (584 mm) (flue collar in top exit position)  
 Unit Height: 27 1/2" (699 mm)  
 Unit Width: 26" (660 mm)

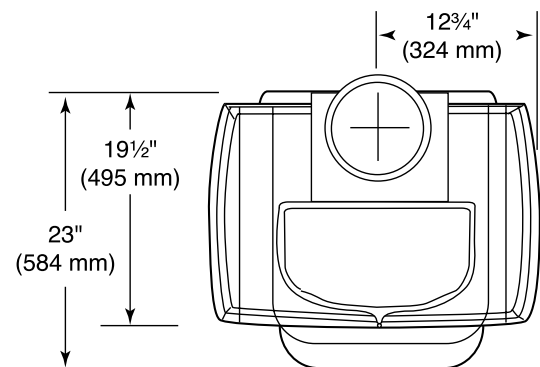
**TECHNICAL INFORMATION**

Log Length: up to 16" (406 mm)  
 Burn Time: up to 9 hours  
 Heating Capacity: up to 1,600 sq. ft. (149 m<sup>2</sup>)  
 Maximum Heat Output: 51,000 BTUs/hr.  
 Efficiency Rating: 75%  
 EPA Emissions Rating: 3.4 grams/hr.  
 Weight: 425 lbs. (193 kg)  
 Flue Collar: 6" round, reversible  
 Firebox Volume: 1.7 cubic foot (.04 m<sup>3</sup>)  
 Clearances (with optional heat shields)  
 Back: 15" (381 mm) (measured to back of stove top)  
 Corner: 15" (381 mm)  
 Side: 15" (381 mm)



**FIELD INSTALLED ACCESSORIES**

- Spark screen for open door fire viewing
- Available in Classic Black, Biscuit, Majolica Brown, Ebony Black and Bordeaux
- Matching enamel pipe in three standard colors
- Rear and bottom heat shields
- Warming shelves with mitten racks
- Outside air adaptor
- Stove surface thermometer
- Short legs



A Brand of Monessen Hearth Systems Co.  
 149 Cleveland Drive, Paris, Kentucky 40361  
[www.vermontcastings.com](http://www.vermontcastings.com)

SEE BACK FOR MORE INFORMATION

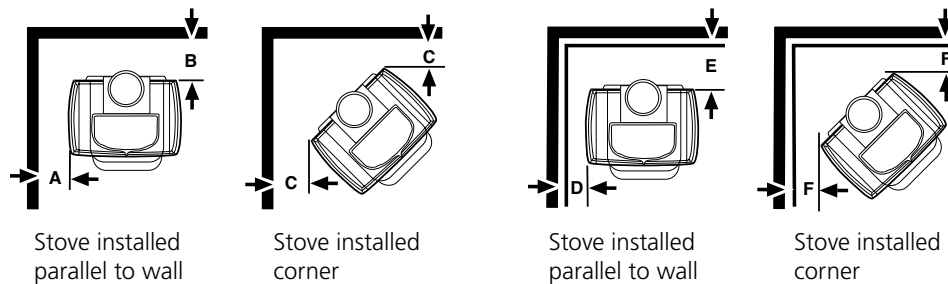
PRODUCT SPECIFICATIONS  
**RESOLUTE ACCLAIM NON-CATALYTIC  
 WOOD STOVE**



(CONTINUED)

**STOVE CLEARANCES**

	UNPROTECTED SURFACE			PROTECTED SURFACE		
	PARALLEL INSTALLATION Side (A)	REAR (B)	CORNER INSTALLATION Corner (C)	PARALLEL INSTALLATION Side (D)	REAR (E)	CORNER INSTALLATION Corner (F)
No heat shields	15" (381 mm)	24" (610 mm)	15" (381 mm)	8" (203 mm)	13" (330 mm)	8" (203 mm)
Top exit, rear heat shield only <sup>1</sup>	15" (381 mm)	24" (610 mm)	15" (381 mm)	8" (203 mm)	13" (330 mm)	8" (203 mm)
Rear exit, rear heat shield only	15" (381 mm)	10" (254 mm)	N/A	8" (305 mm)	7" (180 mm)	N/A
Top exit, rear heat shield, single wall pipe with connector shields <sup>1,2</sup>	15" (381 mm)	15" (381 mm)	15" (381 mm)	8" (203 mm)	9" (229 mm)	8" (203 mm)
Top exit, rear heat shield, double wall pipe <sup>1,3</sup>	15" (381 mm)	17" (432 mm)	15" (381 mm)	N/A	N/A	N/A



<sup>1</sup>When a rear heat shield is installed on a top exit stove, the shield insert must be attached to the shield so that the area behind the flue collar on the stove is protected.

<sup>2</sup>Chimney connector heat shields must extend exactly 28" (710 mm) above the flue collar of the stove. No shielding can be used on the connector above 28" (710 mm). The unshielded chimney connector above the 28" (710 mm) point will be 14" (360 mm) from an unprotected wall or 8" (203 mm) from a protected wall.

<sup>4</sup>In top exit installations, this clearance requires the use of the rear stove heat shield with the shield insert installed.



To avoid personal injury or property damage, the product described by this brochure must be installed, operated and maintained in strict compliance with the instructions packaged with the product and all applicable building or fire codes. Contact local building or fire officials about restrictions and installation inspection requirements. All photographs and drawings on this brochure are for illustrative purposes only and are not intended for, nor should they be used as a substitute for the instructions packaged with the unit. Appearance and specifications of the product are subject to change without notice. © 2011 Monessen Hearth Systems Co.