



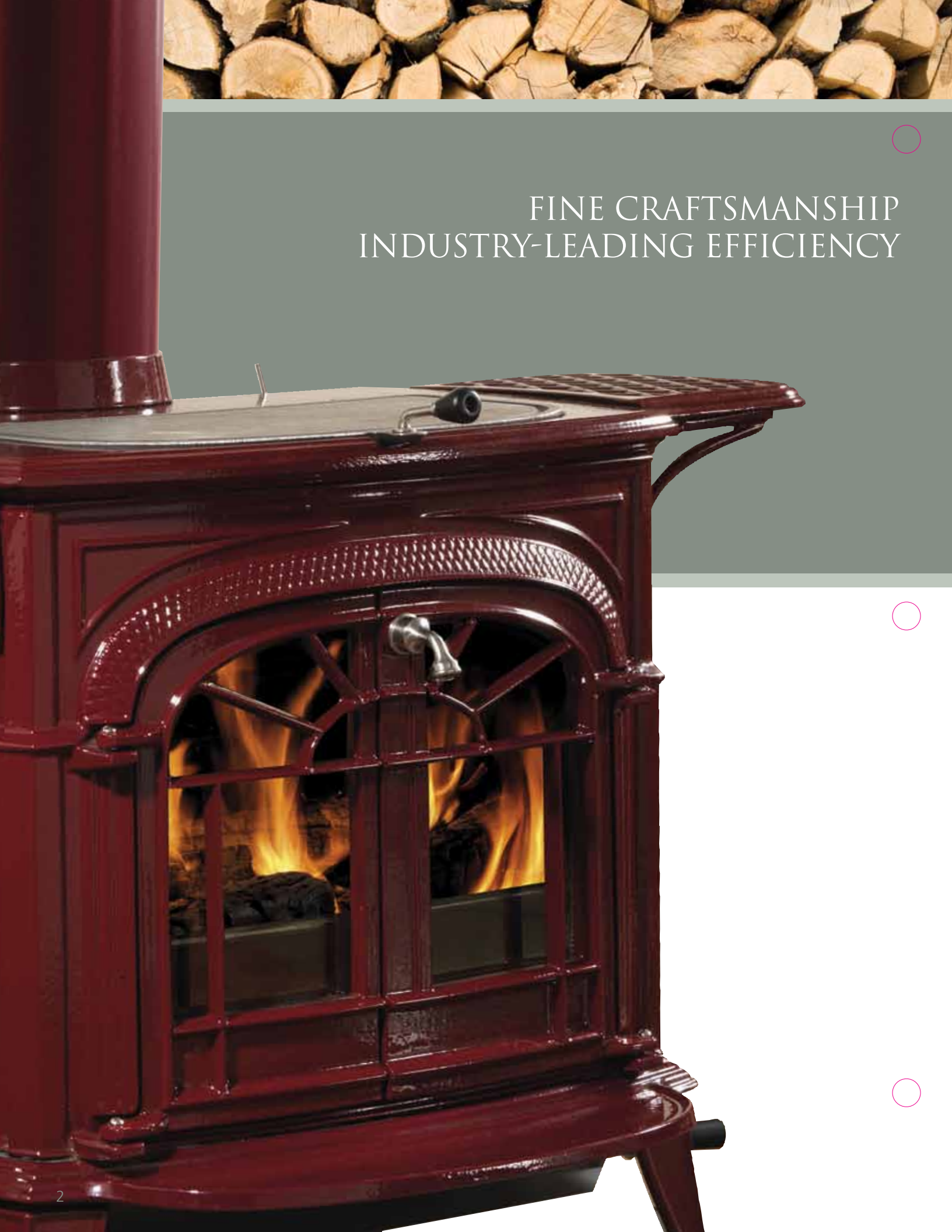
WOOD BURNING CATALYTIC & NON-CATALYTIC
CAST IRON STOVES

CLASSIC WARMTH ICONIC STYLE



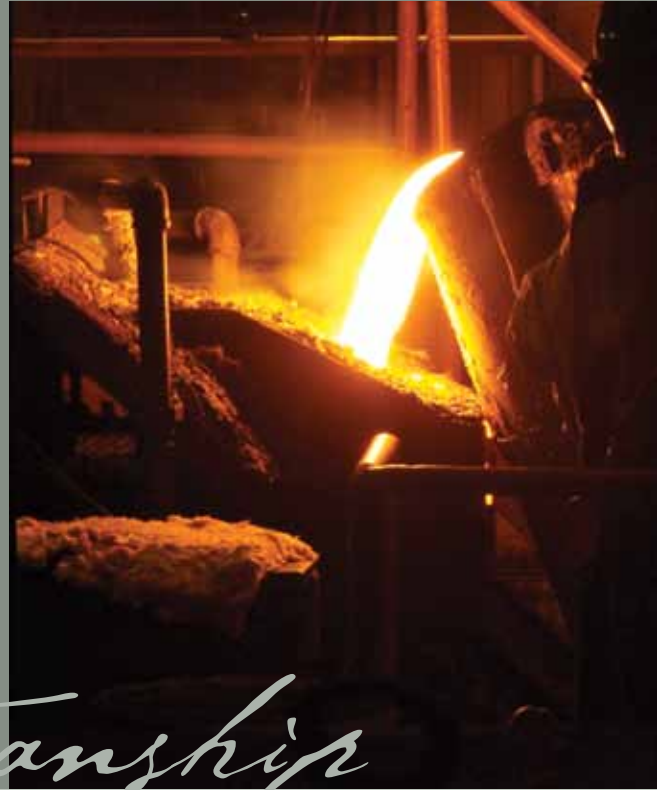


FINE CRAFTSMANSHIP
INDUSTRY-LEADING EFFICIENCY





Our Vermont Castings stoves offer classic warmth and timeless beauty that stands out from the competition. From our foundry in the heart of Vermont, we're proud to offer wood burning stoves that are cast and manufactured with fine craftsmanship and attention to detail. In fact, every Vermont Castings hearth product is made in America to ensure the very best quality! Made with 100% recycled iron, our wood burning stoves represent our 35-year commitment to eco-friendly manufacturing. Plus, our stoves lead the industry in efficiency to help reduce fuel costs. With options available in catalytic and non-catalytic combustion, you're sure to find the stove that meets your heating needs.



fine craftsmanship

Take a look at some of the unique benefits of catalytic and non-catalytic operation and see which is best for you.

CATALYTIC WOOD STOVES

Offering higher efficiency heating, catalytic wood stoves are ideal for those who wish to replace a major portion of their heating needs with their wood stove.

- Higher efficiency lowers fuel costs to heat your home.
- Longer, more even heat output.
- Advanced features such as top-loading convenience and automatic thermostatic air control.

NON-CATALYTIC WOOD STOVES

Non-catalytic wood stoves are slightly more affordable and require less maintenance. Easy to start and operate, a non-catalytic wood stove is ideal for those with less heating demands.

- Lively, aesthetically pleasing flames.
- Easy to use and maintain.

Intrepid II Catalytic Wood Burning Stove shown on cover and at left.





RESOLUTE ACCLAIM

NON-CATALYTIC WOOD STOVE



LONGER BURN TIMES WITH TOP-LOADING CONVENIENCE

The top load design allows you to fill the stove to nearly 100% of its capacity. This leads to longer burn times, so you don't have to load as often. Plus, it's safer and virtually eliminates the escape of embers during loading. Front-loading is also available for your convenience.

CLASSIC STYLE AND CONVENIENCE

The polished cooking griddle offers the look of classic style while also providing a convenient place to warm bread to a delicious golden brown.

ECO-FRIENDLY PERFORMANCE

Longer burn times mean you can create more heat from less wood to help lower fuel costs. With low smoke emissions, this wood burning stove is a contemporary environmental and cost-conscious choice.



CLASSIC BLACK

BISCUIT

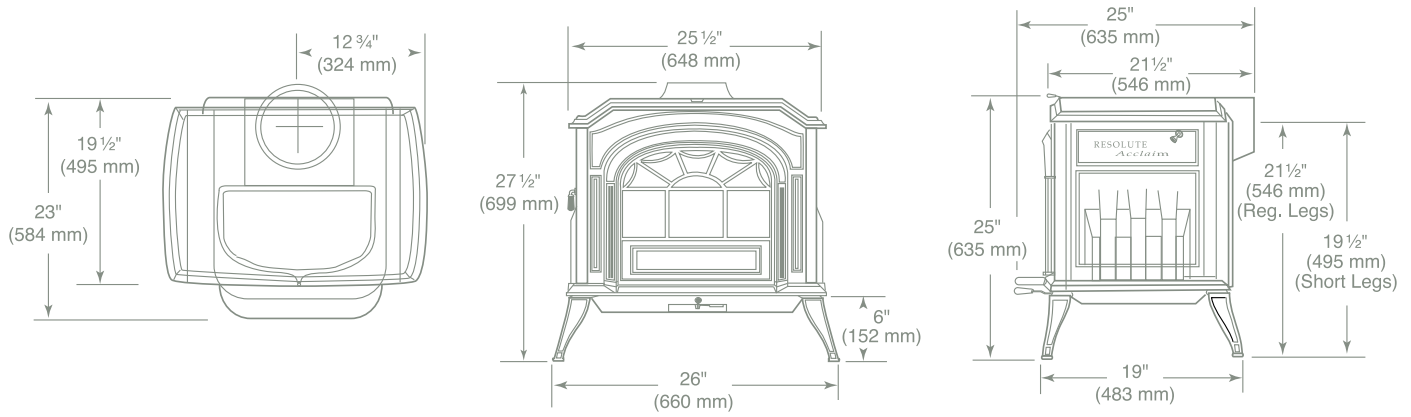
MAJOLICA BROWN

EBONY BLACK

BORDEAUX

Timeless beauty

RESOLUTE ACCLAIM | PRODUCT DIMENSIONS



	UNPROTECTED SURFACE			PROTECTED SURFACE		
	PARALLEL INSTALLATION		CORNER INSTALLATION	PARALLEL INSTALLATION		CORNER INSTALLATION
	Side (A)	Rear (B)	Corner (C)	Side (D)	Rear (E)	Corner (F)
No heat shields	15" (381 mm)	24" (610 mm)	15" (381 mm)	8" (203 mm)	13" (330 mm)	8" (203 mm)
Top exit, rear heat shield, only ¹	15" (381 mm)	24" (610 mm)	15" (381 mm)	8" (203 mm)	13" (330 mm)	8" (203 mm)
Rear exit, rear heat shield only	15" (381 mm)	10" (254 mm)	N/A	8" (203 mm)	7" (180 mm)	N/A
Top exit, rear heat shield, single wall pipe w/ connector shields ^{1,2}	15" (381 mm)	15" (381 mm)	15" (381 mm)	8" (203 mm)	9" (229 mm)	8" (203 mm)
Top exit, rear heat shield, double wall pipe ^{1,3}	15" (381 mm)	17" (432 mm)	15" (381 mm)	N/A	N/A	N/A

	UNPROTECTED SURFACE No Connector Heat Shield		PROTECTED SURFACE with Connector Heat Shield	
	Stove installed parallel to wall	Stove in corner	Stove installed parallel to wall	Stove in corner

- When a rear heat shield is installed on a top exit stove, the shield insert must be attached to the shield so the area behind the flue collar on the stove is protected.
- Chimney connector heat shields must extend exactly 28" (710 mm) above the flue collar of the stove. No shielding can be used on the connector above 28" (710 mm). The unshielded chimney connector above the 28" (710 mm) point will be 14" (360 mm) from an unprotected wall or 8" (203 mm) from a protected wall.
- In top exit installations, this clearance requires the use of the rear stove heat shield with the shield insert installed.



ASPEN

NON-CATALYTIC WOOD STOVE



CLASSIC BLACK



BORDEAUX

COMPACT DESIGN

Perfect for home or cottage, the Aspen offers the warmth and delight of a wood burning fire in even the smallest of spaces. With a lower height, the smallest of the non-catalytic wood stoves from Vermont Castings offers the benefits of a larger stove — but in a smaller, more compact package.

RADIANT HEATING

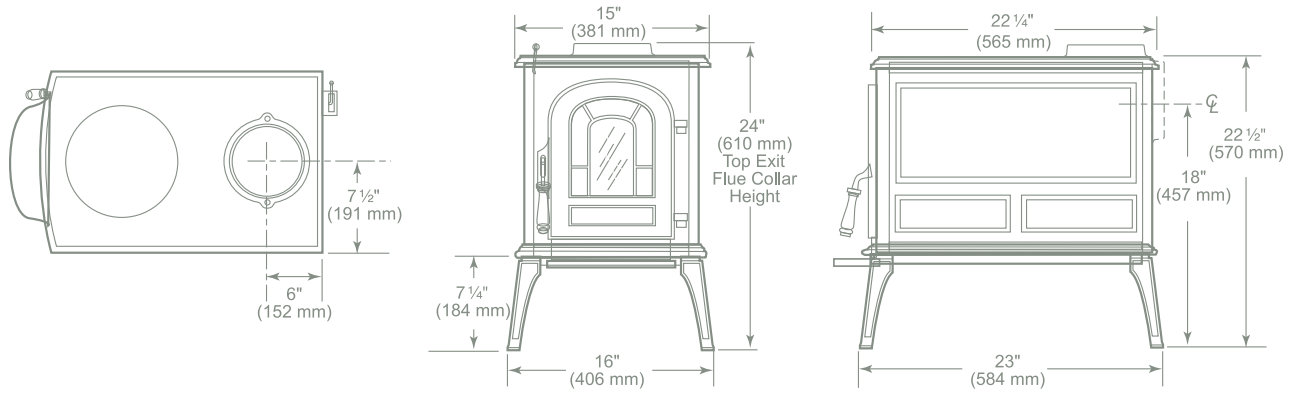
Though small in stature, the Aspen is designed to deliver great heating results for its size. The I.R.-Coated Ceramic Glass provides warm, radiant heat while offering a beautiful view of the dancing, wood-fire flames.

FORM AND FUNCTION

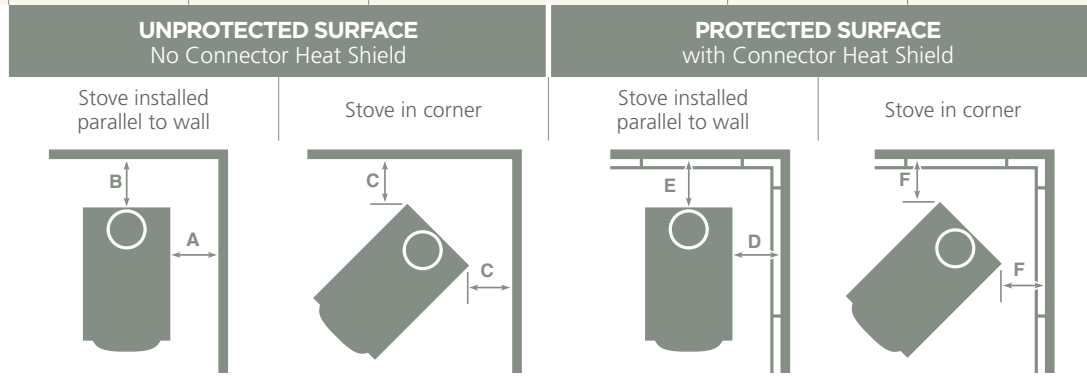
The top plate cooking surface offers the look of classic style while also providing a convenient place to warm food items like soup.

classic warmth

ASPEN | PRODUCT DIMENSIONS



	UNPROTECTED SURFACE			PROTECTED SURFACE		
	PARALLEL INSTALLATION		CORNER INSTALLATION	PARALLEL INSTALLATION		CORNER INSTALLATION
	Side (A)	Rear (B)	Corner (C)	Side (D)	Rear (E)	Corner (F)
No heat shields	24" (610 mm)	13" (330 mm)	13" (330 mm)	16" (406 mm)	9" (229 mm)	8" (203 mm)
Top exit, rear heat shield, only ¹	24" (610 mm)	11" (279 mm)	13" (330 mm)	16" (406 mm)	9" (229 mm)	8" (203 mm)
Rear exit, rear heat shield only	24" (610 mm)	11" (279 mm)	N/A	16" (406 mm)	9" (229 mm)	N/A
Top exit, rear heat shield, single wall pipe w/ connector shields ^{1,2}	24" (610 mm)	9" (229 mm)	13" (330 mm)	16" (406 mm)	9" (229 mm)	8" (203 mm)
Top exit, rear heat shield, double wall pipe ^{1,3}	24" (610 mm)	7" (178 mm)	13" (330 mm)	16" (406 mm)	7" (178 mm)	8" (203 mm)



1. When a rear heat shield is installed on a top exit stove, the shield insert must be attached to the shield so the area behind the flue collar on the stove is protected.
2. Chimney connector heat shields must extend exactly 24" (610 mm) above the top of the stove. No shielding can be used on the connector above 24" (610 mm). The unshielded chimney connector above the 24" (610 mm) point must be 13" (330 mm) from an unprotected wall.
3. In top exit installations, this clearance requires the use of the rear stove heat shield with the flue collar cover plate installed.



INTREPID II

CATALYTIC WOOD STOVE



FLEXIBLE INSTALLATION

With its compact size and optional short legs, the Intrepid II from Vermont Castings will fit just about anywhere!

SAVE MONEY ON FUEL COSTS

This compact catalytic wood stove offers high efficiency — more heat from less wood — as well as a clean burn, making it great for the environment as well.

PEACE OF MIND WITH AUTOMATIC THERMOSTATIC CONTROL

Your stove won't over-fire and you'll enjoy longer, more even temperatures with automatic thermostatic air control. Enjoy the freedom to start your fire and go, worry-free.

LONGER BURN TIMES WITH TOP-LOADING CONVENIENCE

The top load design allows you to fill the stove to nearly 100% of its capacity. This leads to longer burn times and greater heat output, so you don't have to load as often. Plus, it's safer and virtually eliminates the escape of embers during loading.



CLASSIC BLACK



BISCUIT



MAJOLICA BROWN

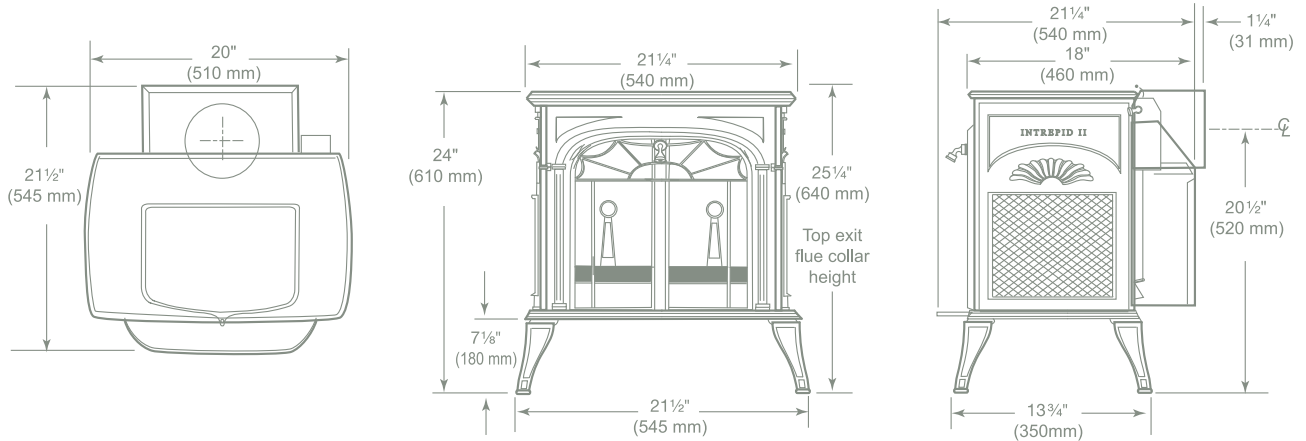


EBONY BLACK

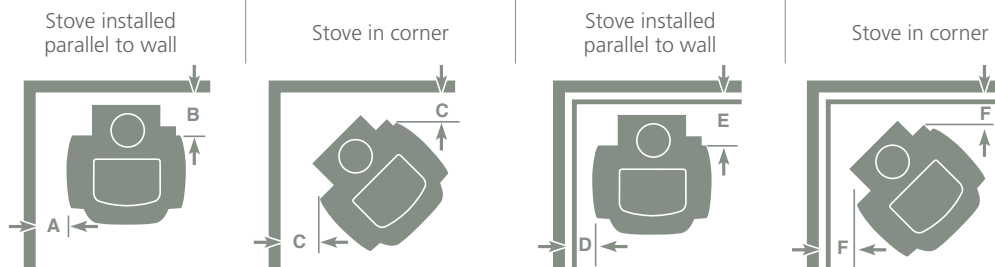


BORDEAUX

INTREPID II | PRODUCT DIMENSIONS



	UNPROTECTED SURFACE			PROTECTED SURFACE		
	PARALLEL INSTALLATION		CORNER INSTALLATION	PARALLEL INSTALLATION		CORNER INSTALLATION
	Side (A)	Rear (B)	Corner (C)	Side (D)	Rear (E)	Corner (F)
No heat shields	24" (610 mm)	30" (762 mm)	20" (508 mm)	12" (305 mm)	16" (406 mm)	10" (254 mm)
Top exit, rear heat shield, single wall pipe w/ connector shields ^{1,2}	24" (610 mm)	16" (406 mm)	12" (305 mm)	12" (305 mm)	9" (229 mm)	10" (254 mm)
Rear exit, rear heat shield only ³	24" (610 mm)	14" (356 mm)	N/A	12" (305 mm)	9" (229 mm)	N/A
Top exit, rear heat shield, double wall pipe ⁴	24" (610 mm)	16" (406 mm)	12" (305 mm)	N/A	N/A	N/A
	UNPROTECTED SURFACE No Connector Heat Shield			PROTECTED SURFACE with Connector Heat Shield		



1. Shielding for a top exit stove must include the stove rear heat shield insert to protect the area behind the flue collar.
2. Chimney connector heat shields, in an installation that goes through a combustible ceiling, must extend to 1" (25 mm) below the ceiling heat shield, which is 22" (559 mm) in diameter. The ceiling heat shield should be 24 gauge or heavier sheet metal, centered on the chimney connector, and mounted on noncombustible spacers.
3. Rear exit — horizontal from flue collar directly back through wall.
4. In top exit installations, this clearance requires the use of the rear heat shield with the shield insert installed.

STOVE ACCESSORIES

A range of high quality accessories is available so you can add the perfect finishing touches to your Vermont Castings wood burning stove.



CHILD-GUARD SCREEN

Large enough to surround all Vermont Castings stoves, this portable safety screen allows you to have peace of mind that young children will not stray too near the stove.



CAST IRON WOOD BOX

The perfect complement to our stoves, our wood box is handcrafted from cast iron, featuring the same attention to detail as our stoves. With fine cast lattice work and ample capacity, it's the perfect way to store all the wood you need to keep your home warm and toasty.



GLOVES

Made from durable leather, these gloves are so popular at our foundry, we've now made them available to you. Perfect for loading the stove when it's already fired up and burning.



CAST IRON TRIVET

Depicting a traditional Vermont Castings foundry scene, this beautifully cast trivet is ideal as a cooking stand or to add visual interest to your stove installation. Cast in Vermont at our own foundry, this trivet features the same fine craftsmanship as our legendary stoves.



CAST IRON STOVE-TOP STEAMER

Available in all our colors, these beautifully cast ornate steamers are designed to return humidity to the room air, creating a more comfortable atmosphere.

(Our steamers are not designed for culinary use.)



THERMOMETER

This surface-mount magnetic thermometer is designed to work with all of our stoves. It allows you to make the correct air-intake settings and will tell you when it is time to reload the stove or shut the damper.



CAST IRON WARMING SHELVES

Available in Classic Black and the full range of Vermont Castings enamel finishes, our cast iron warming shelves with mitten warmers are a great addition to your stove. Also great for keeping food items like a casserole warm, these shelves truly complete your look.



LOG CARRIER

The perfect way to transport logs from your outdoor wood-store to your wood box, the log carrier is made of durable black canvas with double stitched seams and webbing handles.

OUTSIDE AIR ADAPTOR

Allows your stove to draw air in from outside the house. Beneficial for newer, more heavily insulated homes and required in mobile home installations.

	RESOLUTE ACCLAIM	ASPEN	INTREPID II
Combustion method	Non-Catalytic	Non-Catalytic	Catalytic
HEATING CAPACITY			
Burn Time	Up to 9 hrs	Up to 5 hrs	Up to 6 hrs
Approx. Heating Area	1,600 sq. ft.	800 sq. ft.	1,200 sq. ft.
Maximum BTUs/HR	51,000	28,500	36,000
Log Size	Up to 16" logs	Up to 16" logs	Up to 16" logs
Efficiency	75%	81%	85%
Emission (Grams/Hr)	3.4	4.3	2.1
Firebox size (cu. ft.)	1.7	1.0	1.3
ADDITIONAL FEATURES			
Thermostatic Control	—	Yes	Yes, automatic
Ash Pan	Yes, pull-out	Yes	Yes
Loading Style	Convenient top-loading and front-loading	Front-loading	Convenient top-loading and front-loading
UL/ULC Design Certified	Yes	Yes	Yes
Cooking Surface	Polished cooking griddle	Top plate cooking surface	Polished cooking griddle
Outside Air Ready	Yes	Yes	Yes
INSTALLATION			
Reversible Flue Collar	Yes, 6"	Yes, 6"	Yes, 6"
Leg Levelers	Yes	—	Yes
Included Heat Shield	—	Bottom & Rear	Bottom
Dimensions*	26"W x 27½"H x 23"D	16"W x 24"H x 23"D	21½"W x 24"H x 21½"D
OPTIONAL ACCESSORIES			
Custom Sparkscreen for open door fire viewing	Yes	—	Yes
Clearance-reducing Heat Shield	Bottom & Rear	—	Rear
Handy Warming Shelves with Mitten Racks	Yes	—	Yes
Matching Enamel Pipe	Yes, 4 standard colors	—	Yes, 4 standard colors
Outside Air Adaptor	Yes	Yes	Yes
AVAILABLE COLORS			
	Classic Black, Biscuit, Majolica Brown, Ebony Black, Bordeaux	Classic Black, Bordeaux	Classic Black, Biscuit, Majolica Brown, Ebony Black, Bordeaux

*Flue collar in top exit position.



NOTE: ALL COLORS ARE ENAMEL EXCEPT CLASSIC BLACK.

Burn times and heat outputs are based on laboratory testing using full loads of seasoned hardwoods, and may vary depending on how the stove is operated, type of wood and other factors. Average heating capacity is based on operation in building code-conforming homes under typical winter climate in New England, and also may vary.

Efficiency ratings are based on independent laboratory testing. See owner's manual for complete installation and clearance requirements.

All Vermont Castings stoves meet Washington State emissions standards.



CONTINUING OUR
35-YEAR COMMITMENT
TO BEING ECO-FRIENDLY

From the energy that powers our Vermont foundry and plant to the performance of our products, we keep you and the environment in mind. Our facilities operate entirely on clean and renewable energy sources and all our wood burning stoves are made from 100% recycled iron. Even after they leave the foundry, our stoves are designed to help homeowners stay green. In fact, no wood stove manufacturer can match Vermont Castings' history of consistently exceeding the EPA's standards for emissions.

YOUR VERMONT CASTINGS DEALER :

To avoid personal injury or property damage, the product described by this brochure must be installed, operated and maintained in strict compliance with the instructions packaged with the product and all applicable building or fire codes. Contact local building or fire officials about restrictions and installation inspection requirements. All photographs and drawings on this brochure are for illustrative purposes only and are not intended for, nor should they be used as a substitute for the instructions packaged with the unit. Appearance and specifications of the product are subject to change without notice. © 2011 Monessen Hearth Systems Co. 10814_1111



THE ART OF WARMING YOUR HOME

A Brand of Monessen Hearth Systems Co.
149 Cleveland Drive, Paris, Kentucky 40361
vermontcastings.com

VC1608 VER06

Special thanks to ACR Heat Products, Birmingham, England, and Colin Thompson Photography, Morpeth, England, for use of their product photography.

