

Part number list on following page.

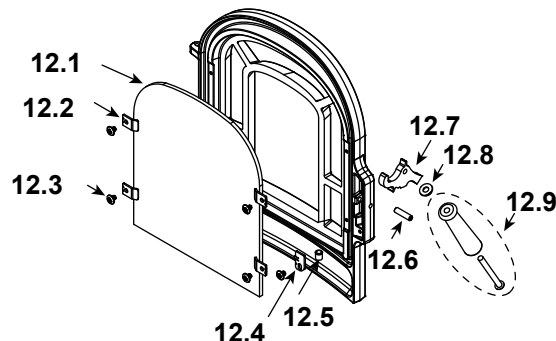
IMPORTANT: THIS IS DATED INFORMATION. Parts must be ordered from a dealer or distributor. **Hearth and Home Technologies does not sell directly to consumers.** Provide model number and serial number when requesting service parts from your dealer or distributor.



Stocked at Depot

ITEM	DESCRIPTION	COMMENTS	PART NUMBER	
1	Top		SRV4-00-950054	
	Gasket, Fiberglass 3/8 Adhesive	15 Ft	1-00-30002422	Y
2	Blanket, Superwool		SRV3-44-950122	
3	Refractory Baffle		SRV3-40-859031	
4	Front Refractory Holder		SRV2-00-859112	
5	Side Cover, Left		SRV2-00-950148	
6	Left Side		SRV4-00-950119	
	Gasket, PSA 3/16	10 Ft	1-00-1186258229	Y
	Gasket, Fiberglass 3/8 Adhesive	15 Ft	1-00-30002422	
7	Dog Box Combustion Assembly		SRV1-10-950011	
	Gasket, PSA 3/16	10 Ft	1-00-1186258229	Y
8	Front Lower Primary Air Channel Cover		SRV2-00-950057	
	Gasket, PSA 3/16	10 Ft	1-00-1186258229	Y
9	Front Lower Primary Air Channel		SRV4-00-950056	
	Gasket, PSA 3/16	10 Ft	1-00-1186258229	Y
10	Front		SRV4-00-950052	
	Gasket, Fiberglass 3/8 Adhesive	15 Ft	1-00-30002422	
11	Front Latch Kit		SRV1-00-950101	

#12 Load Door Assembly



12	Load Door Assembly		SRV1-10-950100	
12.1	Glass		SRV3-40-950144	Y
12.2	Glass Clip	Pkg of 4	SRV2-00-586207	Y
	Gasket, Door	15 Ft	1-00-1203589	Y
	Gasket, Glass	10 Ft	1-00-1186258229	Y
12.3	Pan Head Phillips 10-24 x 1/4 (5 req)	Pkg of 10	1200980-10	
12.4	Detent Plate		SRV2-00-950141	Y
12.5	Ball Spring Plunger		3-31-73765	
12.6	SSS CP 1/4-20 x 1	Pkg of 10	1200436-10	
12.7	Door Latch		SRV2-00-950104	
12.8	Washer, Flat 1/4	Pkg of 10	1202473-10	
12.9	Wood Handle w/Bolt		1-00-00247	Y

Additional service part numbers appear on following page.

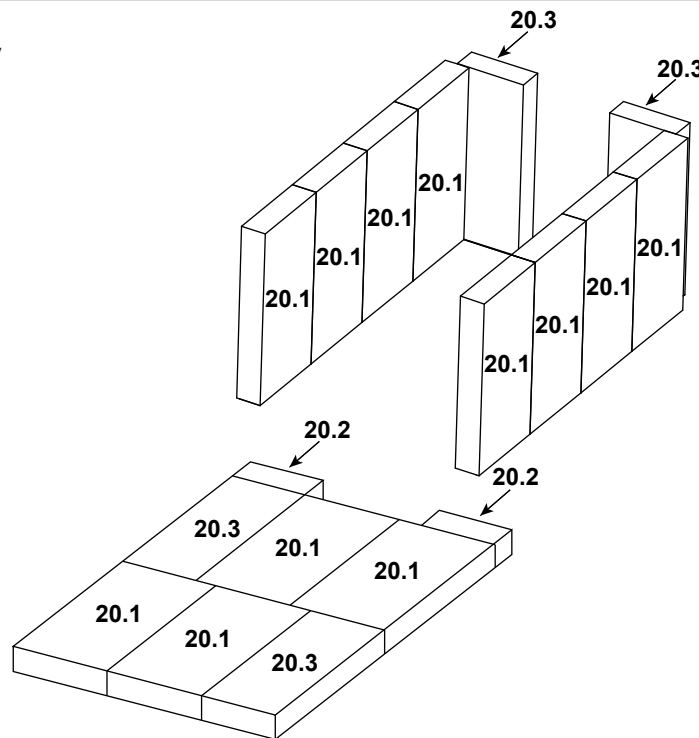
IMPORTANT: THIS IS DATED INFORMATION. Parts must be ordered from a dealer or distributor. **Hearth and Home Technologies does not sell directly to consumers.** Provide model number and serial number when requesting service parts from your dealer or distributor.



Stocked at Depot

ITEM	DESCRIPTION	COMMENTS	PART NUMBER	
13	Door Pin 3/16 x 3/4		1600535	
14	Leg	Qty 4 req	SRV4-00-950090	
15	Leg Leveler	Pkg of 10	1201745-10	
16	Air Control Assembly		SRV1-10-950110	
17	Bottom		SRV4-00-950051	
	Gasket, PSA 3/16	10 Ft	1-00-1186258229	Y
	Fiberglass 3/8 low	15 Ft	1-00-1203589	
	5/16 Adhesive Backed	15 Ft	1-00-1203591	Y
18	Right Side		SRV4-00-950120	
	Gasket, PSA 3/16	10 Ft	1-00-1186258229	Y
	Gasket, Fiberglass 3/8 Adhesive	15 Ft	1-00-30002422	
19	Side Cover, Right		SRV2-00-950058	

#20 Firebrick Assembly



20	Firebrick Complete Assembly		SRV1-10-9500023	Y
20.1	Firebrick, 9" x 4 1/2" x 1 1/4"	Qty 12 req	832-0550	
		Pkg of 6	832-3040	
20.2	Firebrick, 3 1/2" x 1 1/2" x 1 1/4"	Qty 2 req	SRV4-40-950018	
20.3	Firebrick, 9" x 3 1/2" x 1 1/4"	Qty 4 req	SRV4-40-950019	
21	Rear Secondary Manifold Assembly		SRV1-10-950139	
	Gasket, PSA 3/16	10 Ft	1-00-1186258229	Y

Additional service part numbers appear on following page.

IMPORTANT: THIS IS DATED INFORMATION. Parts must be ordered from a dealer or distributor. **Hearth and Home Technologies does not sell directly to consumers.** Provide model number and serial number when requesting service parts from your dealer or distributor.



Stocked at Depot

ITEM	DESCRIPTION	COMMENTS	PART NUMBER	
#22 Rear Vertical Shield				
22.1	Back		SRV4-00-950050	
	Gasket, PSA 3/16	10 Ft	1-00-1186258229	Y
22.2	Outer, Rear Vertical Shield		SRV2-00-950146	
22.3	Outer Cover, Rear Vertical Shield		SRV2-00-950154	
22.4	Inner, Rear Vertical Shield		SRV2-00-950145	
23	Blocker Plate		SRV2-00-950155	
24	Ball Chain Bracket		SRV2-00-950137	
25	Probe Assembly Secondary		1601489A	Y
26	Ball Chain	17 Inches	30007431A	Y
27	Back Cover		SRV2-00-950119	
	Touch-Up Paint	Classic Black	3-42-19905	
	Finish Bag		SRV8000-003	
	Mobile Home Brackets	Pkg of 2	SRV950152	

Additional service part numbers appear on following page.