



PRODUCT SPECIFICATIONS Aspen Non-Catalytic Wood Stove



ACTUAL DIMENSIONS

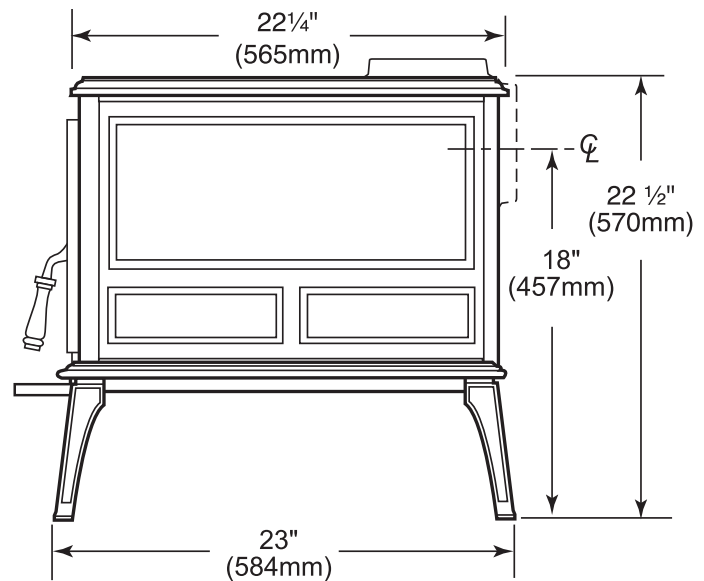
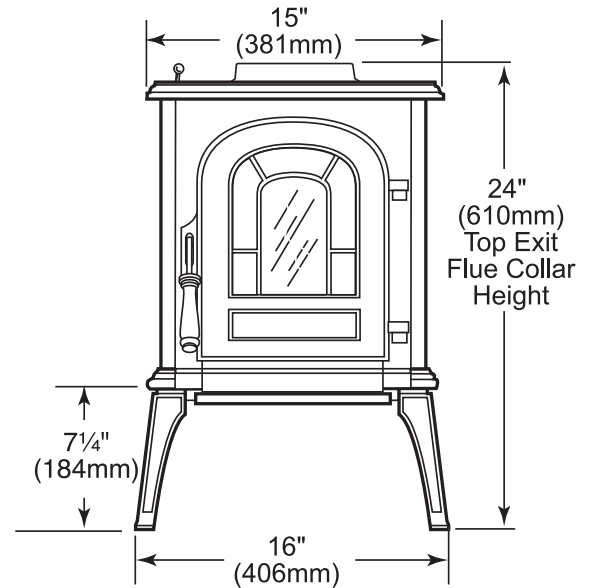
Unit Depth: 23"
Unit Height: 22-1/2"
Unit Width: 16"

TECHNICAL INFORMATION

Log Length: up to 16"
Burn Time: up to 5 hours
Heating Capacity: up to 600 sq. ft.
Maximum Heat Output: 18,000 BTUs/hr.
Efficiency Rating: 69.1%
EPA Emissions Rating: 4.3 grams/hr.
Weight: 240lbs
Flue Collar: 6" round, reversible
Firebox Size: 1 cubic foot
Clearances (with optional stove and pipe heat shields)
Back: 9"
Corner: 13"

FIELD INSTALLED ACCESSORIES

Clearances reducing rear heat shield
Available in Classic Black and Bordeaux
Outside air kits



A Brand of Monessen Hearth Systems Co.
149 Cleveland Drive, Paris, Kentucky 40361
www.vermontcastings.com

To avoid personal injury or property damage, the product described by this brochure must be installed, operated and maintained in strict compliance with the instructions packaged with the product and all applicable building or fire codes. Contact local building or fire officials about restrictions and installation inspection requirements. All photographs and drawings on this brochure are for illustrative purposes only and are not intended for, nor should they be used as a substitute for the instructions packaged with the unit. Appearance and specifications of the product are subject to change without notice. © 2010 Monessen Hearth Systems Co.