



1-800-968-8604

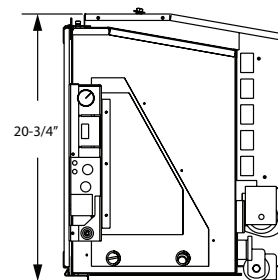
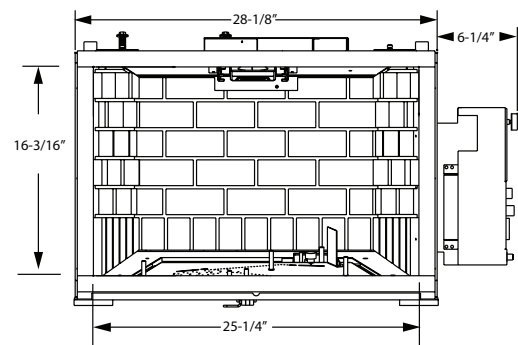
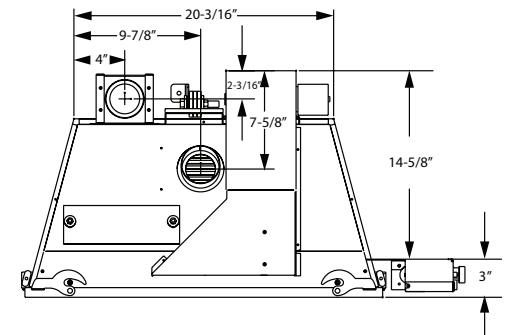
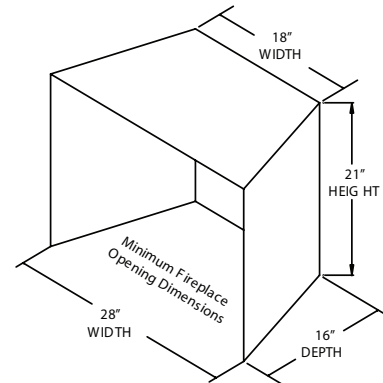
Extinguishing mediocrity online since 1999

PRODUCT SPECIFICATIONS

30ILDV Topaz Direct Vent Insert System



DIMENSIONS



ACTUAL DIMENSIONS

Actual Size: 28 $\frac{1}{8}$ " W x 20 $\frac{3}{4}$ " H x 17 $\frac{5}{8}$ " D
(714mm x 527mm x 448mm)

Viewing Area: 25 $\frac{1}{4}$ " W x 16 $\frac{3}{16}$ " H
(641 mm x 411 mm)

Minimum Fireplace Opening: 28" W x 21" H x 16" D x 18" RW
(711mm x 533 mm x 406 x 457mm)

FIELD INSTALLED ACCESSORIES

- Surrounds: Bevelled surround in black texture
- Choice of filligree (one required): Floral, Louver, Contemporary Hood
- Natural Flame® burner with fiber ceramic log set
- Tavern Brown firebrick
- Thermostat blower (160 cfm) standard
- Valve located on outside of firebox for easy access and maintenance

TECHNICAL SPECIFICATIONS

Max. BTU Input: 30,000 BTU/hr

3" intake, 3" exhaust

18" flex line with On/Off shut-off valve

EnerGuide Ratings Fireplace Efficiency: 71.9% NG/ 83.7% LP

AFUE Efficiency: 65.9% NG / 68.5% LP

Thermal Efficiency: Up to 89.6%

CSA Design Certified



149 Cleveland Drive, Paris, Kentucky 40361

www.majesticproducts.com

To avoid personal injury or property damage, the product described by this brochure must be installed, operated and maintained in strict compliance with the instructions packaged with the product and all applicable building or fire codes. Contact local building or fire officials about restrictions and installation inspection requirements. All photographs and drawings on this brochure are for illustrative purposes only and are not intended for, nor should they be used as a substitute for the instructions packaged with the unit. Appearance and specifications of the product are subject to change without notice. ©2015 Hearth & Home Technologies 1115V2