

## WOODSTOVE MODEL

### VISION

Tested and certified by Intertek

- UL 127
- ULC-S610



## OWNER'S MANUAL

**INSTALLATION  
OPERATION  
MAINTENANCE**

**Keep these instructions for future use.**

Manufactured by:

# SUPREME

3594 Jarry East, Montreal, QUEBEC, H1Z 2G4

Phone: 1-877-593-4722 Fax: (514) 593-4424

[www.supremem.com](http://www.supremem.com)

[info@supremem.com](mailto:info@supremem.com)

## TABLE OF CONTENTS

|  |           |
|--|-----------|
| <b>1. SAFETY GUIDELINES FOR YOUR VISION</b>              | <b>3</b>  |
| <b>2. OPERATING INSTRUCTIONS</b>                         | <b>4</b>  |
| 2.1 Fuel   | 4         |
| 2.2 First Fires  | 4         |
| 2.3 The Combustion Air Control                           | 4         |
| 2.3.1 Operating the Combustion Air Control               | 4         |
| 2.4 Starting a Fire                                      | 5         |
| 2.5 Adding a New Load of Wood                            | 5         |
| 2.6 Smoking  | 6         |
| 2.7 Built-in Barbecue                                    | 6         |
| <b>3. MAINTENANCE OF THE VISION</b>                      | <b>7</b>  |
| 3.1 Creosote – Formation and Need for Removal            | 7         |
| 3.2 Chimney Maintenance                                  | 7         |
| 3.3 Chimney Sweeping Cap                                 | 7         |
| 3.4 Paint  | 8         |
| 3.5 Disposal of Ashes                                    | 8         |
| 3.6 Glass Cleaning                                       | 8         |
| 3.7 Glass Replacement                                    | 9         |
| 3.8 Gasket Replacement                                   | 9         |
| 3.9 Latch Lubrication                                    | 10        |
| <b>4. INSTALLATION INSTRUCTIONS</b>                      | <b>10</b> |
| 4.1 Location of the Vision                               | 10        |
| 4.2 The Hearth Extension U.S.A. Only                     | 11        |
| 4.2.1 The Hearth Extension CANADA Only                   | 12        |
| 4.3 Clearances to Combustibles                           | 12        |
| 4.4 Blowers Kit Installation                             | 13        |
| 4.5 Chimney Installation                                 | 13        |
| 4.5.1 General Rules                                      | 13        |
| 4.5.2 Reference Table of Listed UL 103/ULC S629 Chimneys | 14        |
| 4.5.3 Chimney Installation Instructions                  | 15        |
| 4.5.4 Typical Chimney Installations                      | 15        |
| 4.5.5 Offset Installation                                | 15        |
| <b>5. OPTIONS</b>  | <b>16</b> |
| 5.1 Removable Ash Lip                                    | 16        |
| <b>6. REPLACEMENT PARTS</b>                              | <b>16</b> |
| <b>7. LABELS</b>   | <b>17</b> |
| <b>8. WARRANTY</b>                                       | <b>19</b> |

## 1. SAFETY GUIDELINES FOR YOUR VISION

- Carefully read these instructions before installing and using the woodstove.
- The Vision is a high efficient woodstove and gets very hot when in use. Contact with the woodstove can cause severe harm. Install a safety screen to keep children and pets out of reach.
- Never leave children or pets unattended while the woodstove is hot.
- Do not operate the woodstove with the door open. Leaving the door open will overheat and damage the woodstove and void the warranty.
- Open the door to reload only when the wood has been reduced to embers, otherwise there is a risk of smoke infiltration into the house and overheating the woodstove.
- Only burn dry wood in the Vision woodstove. Do not burn treated wood, construction scraps, coal, garbage, plastic or metal. Burning anything other than dry natural wood will damage your woodstove and void the warranty.
- Never use gasoline, gasoline-type lantern fuel, kerosene, charcoal lighter fluid, or similar liquids to start or “freshen up” a fire in this woodstove. Keep all such liquids well away from the woodstove while it is in use.
- Do not use a woodstove grate.
- Do not alter or substitute any components of the woodstove. Changes made to the design of the woodstove will void the warranty and can be hazardous.
- As this woodstove is only intended for burning wood, do not install an unvented gas log set into the structure.
- This woodstove is not intended for use in mobile homes.
- Install the Vision only as described in this manual of installation.
- Cleaning products may damage the paint or plating of the woodstove.
- Do not do any maintenance to your woodstove while it is still hot.
- Do not obstruct the air flow of the louvers and grills of the woodstove.
- Do not use a woodstove insert or other products not specified for use with this woodstove.
- Consult authority having jurisdiction (such as the fire department, the municipal building department, the fire prevention bureau) to determine the need to obtain a permit before installation.
- Smoke detectors must be installed at least 15 feet away from the woodstove as to not be triggered by accidental woodstove smoking.
- When performing renovation work around the woodstove, always ensure that the minimum clearances to combustible materials are respected.
- Burning charcoal (if charcoal is used for the barbeque feature) may produce carbon monoxide. Be sure to have proper ventilation to avoid carbon monoxide poisoning.



Please register your SUPREME product online at <http://www.supremem.com/registration.php> to ensure full warranty coverage. Proof of purchase is required for all warranty claims.

## 2. OPERATING INSTRUCTIONS

**WARNING: READ THE OWNER'S MANUAL CAREFULLY. Read the following brief instructions before using your woodstove.**

The Vision is not intended to serve as a primary source of heat. A primary source of heat must be available in the home that the Vision is installed in. Supreme is not responsible for heating costs related to other sources of heat.

### 2.1 Fuel

The Vision is designed to burn dry, natural, seasoned wood having a moisture content below 20%. The optimum log length is 16-18 inches, preferably split in halves or quarters and left to dry under a cover or away from the elements for a minimum of one year prior to use.

Use good quality dry cordwood only. DO NOT burn coal, construction lumber, twigs, sawdust, plastic, paper, newspaper, cardboard, pine tree branches, construction materials, garbage or other foreign materials in your fireplace. Gas logs cannot be used with the Duet. Use solid wood fuel only.

Do not over fire the Vision. Over firing will damage the woodstove, is hazardous and will void the warranty.

**WARNING: Never use gasoline, gasoline-type lantern fuel, kerosene, charcoal lighter fluid, or similar liquids to start or "freshen up" a fire in this woodstove. Keep all such liquids well away from the woodstove while it is in use.**

Ecological or compressed logs containing chemical additives are not tested and approved to be used with the Vision. Using them will overheat and damage the woodstove and void the warranty. Ecological or compressed logs that are 100% wood and contain no other additives can be safely used in the Vision. Never use more than three of these logs at a time. Using more is not only dangerous, but will damage the woodstove and void the warranty. Follow the ecological log manufacturer's safety guidelines and recommendations and be sure that they are intended for use in woodstoves. Reload only once the previous load of wood has been consumed and only a small flame remains.

**WARNING: Do not keep the door open while the woodstove is lit.**

### 2.2 First Fires

Due to oil residues and the curing of the paint of the woodstove, an odor can be smelled during the first 2 to 3 fires of the Vision. Open a window or a door near the woodstove to ventilate the house during the first fire.

### 2.3 The Combustion Air Control

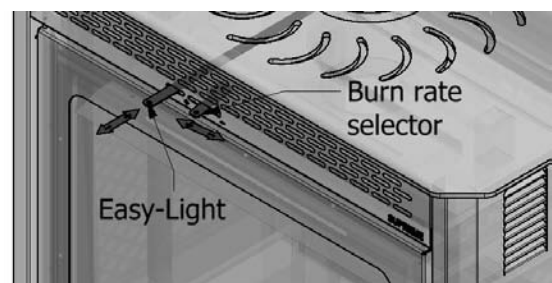
The burn rate and the heat output are related to the amount of combustion air. The combustion air control of the Vision has two components: the Easy-Light and the Burn Rate Selector (see figure 1).

#### 2.3.1 Operating the Combustion Air Control

When starting the fire or when adding a new charge of wood, the woodstove needs additional air in order to establish a good fire. When the wood starts to burn properly, the amount of air can be reduced depending on the heating requirements.

The left combustion control lever is the Easy-Light mechanism (see figure 1). When starting a fire or adding a new load of wood, the Easy-Light must be pushed in to allow a primary source of air to enter the firebox.

The right combustion control lever is the Burn Rate Selector (see figure 1). The Burn Rate Selector can slide sideways to achieve different burn rates. When the Burn Rate Selector is positioned to the left, a maximum burn rate is achieved and when it is positioned to the right, a minimum burn rate is set.



Connections **Figure 1** – Combustion

Keeping the Burn Rate Selector to the right will burn the wood slower. Keeping the Burn Rate Selector to the left will provide a stronger fire and keep the glass of the woodstove cleaner for longer. Adjust the burn rate according to your heating requirements and the quality of your wood.

The combustion air control will automatically and gradually close the primary air source with the presence of heat to maximize the burn time.

**WARNING: The combustion air openings should never be obstructed.**

## 2.4 Starting a Fire

Assure that all the safety precautions mentioned in the owner's manual are being respected.

1. Place two logs in the firebox. The logs should sit directly on the hearth. Maintain approximately a one inch gap between the logs. This will facilitate the Easy-Light airflow. Do not use a woodstove grate.
2. Add a firestarter on top of the two logs.
3. Add two more logs on top of firestarter and first set of logs. A log should be positioned directly above the firestarter, but with a one to two inch gap (see figure 3).
4. Push the left combustion control lever (the Easy-Light) inwards.
5. Slide the right combustion control lever (the Burn Rate Selector) to the desired burn rate. Positioning the Burn Rate Selector towards the left is for maximum burn rate and towards the right is for minimum burn rate.
6. Light the firestarter.
7. Once the firestarter is well lit, close the door. Do not leave the door open for more than 2 minutes.

**Caution:** The wood should be placed away from the doors to avoid damage to the glass.

**WARNINGS: Over firing the unit may result in overheating and can damage the woodstove and/or result in fire hazards. The maximum firewood load must not exceed 4 medium sized logs (approximately 30 pounds). Open the door to reload only when the wood has been reduced to charcoal, otherwise there is a risk of smoke infiltration into the house.**

This woodstove has been designed to burn with the doors closed. When the woodstove is being used, the doors should remain closed at all times. Failing to do so is a safety hazard, will damage the woodstove and void the warranty.

**NOTE:** Always place the wood at the center of the firebox. Keep the bottom logs apart in such a way that at least one slot of the ashtray grate is not obstructed. The Easy-Light air flows through the grate slots.

**WARNING: Do not use fire accelerants to rekindle the fire if the first attempt to start the fire failed. Do not open the door. Simply reactivate the Easy-Light by pushing it inwards.**

**NOTE:** Sufficient air exchange is necessary for the woodstove to operate properly. Air is required in order to maintain the combustion of the woodstove. If the house is airtight, the woodstove may not function properly. If the woodstove is deprived of air, it will be necessary to provide a source of fresh air into the dwelling. This may be done by using an air exchanger unit or simply by opening a window or a door near the woodstove partially for a few minutes. Make sure that other equipment such as the kitchen exhaust fans or oil central heating systems do not affect the woodstove functionality. Large return ducts of central heating systems located in the same room as the woodstove is installed may affect the proper functioning of the woodstove and may cause smoking.

## 2.5 Adding a New Load of Wood

When the wood has been reduced to embers, add a new load.

1. Open the woodstove door and use your woodstove tools to gather the remaining embers at the center of the firebox.



**Figure 2 – Not Recommended**



**Figure 3 - Recommended**

2. Close the door and activate the Easy-Light. Wait 2-3 minutes for the embers to be activated.
3. Open the woodstove door slowly and add 2-3 logs. Space the bottom logs 1-2 inches apart to allow the flame to move upwards.
4. Close the woodstove door.

**Note: It is important to assure that a flame is maintained. If the flame is not maintained, reactivate the Easy-Light.**

## 2.6 Smoking

Woodstove smoking can occur for a number of reasons: a negative pressure in your home, simultaneous use of other fans (such as a kitchen exhaust fan), wood having a high moisture content, a chimney that is below 15 feet long, a dirty chimney. Before starting a fire, if you feel a cold draft in the firebox (called a downdraft) you will likely experience smoking. Have your chimney swept at least once a year and inspected at least twice a year.

If you experience a downdraft, follow the following procedure to light the woodstove:

1. Load the woodstove as described in section 2.4.
2. Activate the Easy-Light by pushing it inward.
3. Place 3 sheets of crumpled newspaper on top of the wood.
4. Open a door or a window near the woodstove.
5. Open the woodstove door and ignite the firestarter. Ignite the newspaper in several locations. Keep the woodstove door fully opened. A small amount of smoke will leak in to the house. The intense flame of the newspaper should reverse the draft and a fire will start.
6. Close the woodstove door.
7. Close the door or window near the woodstove.

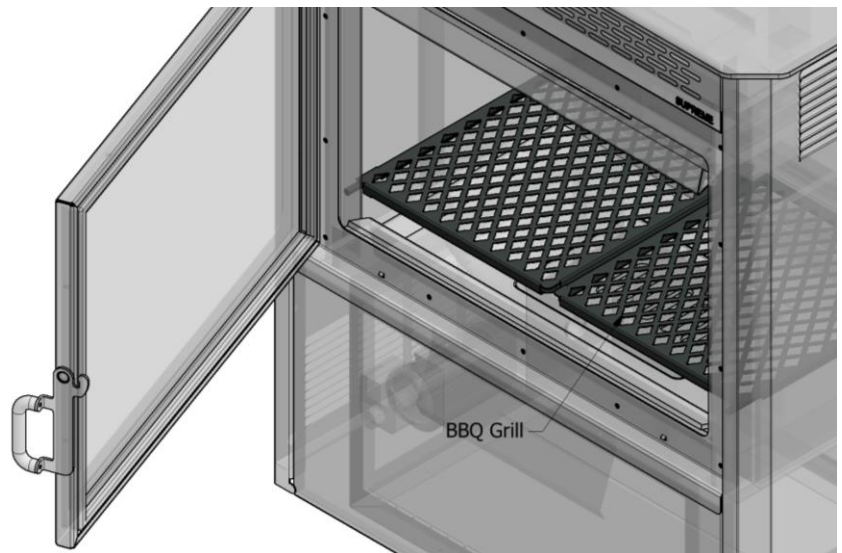
## 2.7 Built-in Barbecue

**WARNING: Always wear gloves to avoid burns and injuries.**

To use the barbecue feature of the Vision, lower the barbecue grills and place the food on it. The doors should remain closed while cooking. When you are done barbecuing, raise both barbecue grills against the sides of the firebox. No cleaning is required.

### Useful Tips:

- Plan ahead of time. You will need between 4 to 6 hours after your last load of wood to have sufficient remaining coals to barbecue.
- Cook with indirect heat. Move the coals away from the middle of the hearth to the sides of the firebox.
- Keep the doors closed.
- Experiment with different heat intensity. Start with a lower heat intensity to avoid burning your food. The temperature inside the firebox is much higher than what may be deemed.
- In most cases, you will not have to flip the food that you are barbecuing. The radiant heat from the stainless steel firebox generally cooks food evenly on both sides.
- Fish cooks very well on a cedar plank.
- Chicken roasts very well using a chicken roast accessory (available at most local department stores).
- To avoid flare-ups, close the primary air by pulling the Easy-Light handle towards you. Smoking may occur when cooking greasier foods.



**Figure 4 – Built-in Barbecue**

### Frequently Asked Questions Regarding the Barbecue Feature of the Vision:

**What can you cook?**

You can barbecue anything that you normally would with a regular outdoor grill. In addition, you can bake foods in the Vision that you usually would with your oven, such as pizza.

#### **Can I use charcoal to barbecue?**

Yes, you can. You can also add charcoal if you are cooking for a prolonged amount time.

#### **How often can I use the barbecue feature of the Vision?**

The barbecue shouldn't be used more than three times a week and is not intended to be used as a primary cooking appliance.

**WARNING:** Never use gasoline, gasoline-type lantern fuel, kerosene, charcoal lighter fluid, or similar liquids to rekindle the charcoal. These products may result in serious accidents or fires. Keep all such liquids well away from the woodstove while it is in use. If you need to rekindle the charcoal, gather the coals at the center of firebox, close the door and activate the Easy-Light by pushing it inward. Wait a few minutes for the coals to catch and close the Easy-Light by pulling it towards you.

If you wish to start a fire after barbecuing, you may do so by gathering the remaining embers and coals at the center of the firebox, adding two to three logs on top of the charcoal, closing the door and activating the Easy-Light by pushing it inwards. The fire will start without further intervention.

**DISCLAIMER:** SUPREME FIREPLACES INC. is not responsible for the quality nor the outcome of the food barbecued in the Vision.

**Note:** We invite you to share your barbecue experience with other users by visiting our website at [www.supremem.com](http://www.supremem.com).

### **3. MAINTENANCE**

#### **3.1 Creosote – Formation and Need for Removal**

When wood is burned slowly, it produces tar and other organic vapors that when combined with expelled moisture forms creosote. The creosote vapors condense in the relatively cool chimney flue of a slow burning fire. As a result, creosote residue accumulates on the flue lining. When ignited, this creosote makes an extremely hot fire.

The chimney shall be inspected at least twice a year during the heating season to determine when creosote build-up has occurred.

When creosote has accumulated it shall be removed to reduce the risk of a chimney fire.

#### **3.2 Chimney Maintenance**

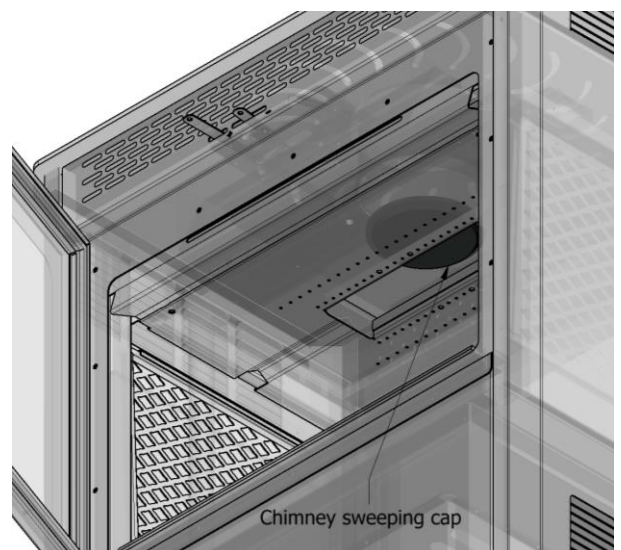
Have a certified technician regularly inspect your chimney and woodstove. The chimney should be swept at least once a year. Do not use chemical cleaners to clean your chimney. Burning dry, seasoned wood will reduce creosote accumulation.

#### **3.3 Chimney Sweeping Cap**

The chimney sweeping cap found at the baffle of the Vision allows easy access for chimney sweeping without having to remove any components of the firebox. (see figure 5).

To sweep the chimney:

1. Open the woodstove door.
2. Push the chimney sweeping cap upwards and place it on the side.
3. Close the woodstove door.
4. Sweep the chimney.
5. Open the door of the woodstove and empty out all the residues.
6. Place back the chimney sweeping cap.



**Figure 5 – Chimney Sweeping Cap**

**Note:** The chimney sweeping cap is sealed with silicone for transport. After the first fire, the silicone will burn and you will be able to move the cap.

**WARNING:** The chimney sweeping cap should be blocking the access to the chimney at all times during combustion. A chimney sweeping cap that is not blocking the baffle hole during combustion is a safety hazard, will overheat the woodstove and void the warranty.

### 3.4 Paint

The painted surfaces of the Vision could be touched up using Stove Bright high temperature paint in Metallic Black for black woodstoves and Charcoal for charcoal colored woodstoves. Follow the Stove Bright instructions on the can for directions and safety recommendations. Do not do any paint touch ups while the woodstove is hot.

### 3.5 Disposal of Ashes

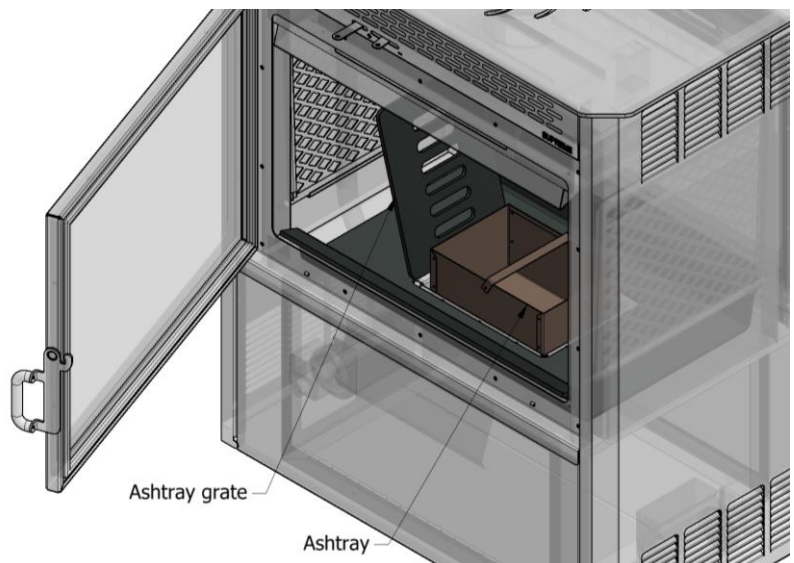
**Warning:** Always wear protective gloves when emptying the ashes to avoid burns.

Regularly empty out the ashtray. The removal of the ashes should be done when the woodstove is cold.

To empty the ashtray:

1. Push down the ashes through the ashtray grate of the floor plate so that they fall into the ashtray. Do not overfill the ashtray.
2. Clean the area around the ashtray grate.
3. Remove the ashtray grate. (see figure 6).
4. Remove the ashtray.
5. Empty the ashes into a metal container.
6. Reposition the ashtray.
7. Install the ashtray grate.

Ashes should be placed in a metal container with a tight-fitting lid. The closed container of ashes should be placed on a noncombustible floor or on the ground, well away from all combustible materials, pending final disposal. If the ashes are disposed of by burial in soil or otherwise locally dispersed, they should be retained in the closed container until all cinders have thoroughly cooled.



**Figure 6 – Ashtray**

**WARNINGS:**

- Even if the woodstove has not been in use for two days, the ashes can still contain hot embers.
- Since the ashtray and the container can become very hot, wear gloves to avoid burns.

### 3.6 Glass Cleaning

If necessary, the glass door may be cleaned with a soft cloth, using a non-abrasive solution such as soap and water. Commercial glass cleaners intended for woodstoves and stoves may produce better results.

**WARNINGS:**

- Abrasive cleaners must not be used because they will produce surface scratches, reducing glass transparency and resistance to impacts.
- Do not clean the glass when it is hot. The glass panels should be cleaned when the woodstove is cold and not functional.
- If using a commercial glass cleaner, avoid the painted parts of the woodstove. Glass cleaners can wear off the paint of the woodstove.

### 3.7 Glass Replacement



The glass door of your woodstove must be treated with care, do not slam the doors shut or build the fire too close to the glass. Do not over fire the Vision. Excessive temperatures or impacts may lead to breakage.

The glass panel is a heat-resistant ceramic type, 5 mm thick. Do not replace the glass with an ordinary glass or a tempered glass.

Replace immediately a cracked or broken glass. Do not use the woodstove with cracked or broken glass; doing so may result in a fire hazard.

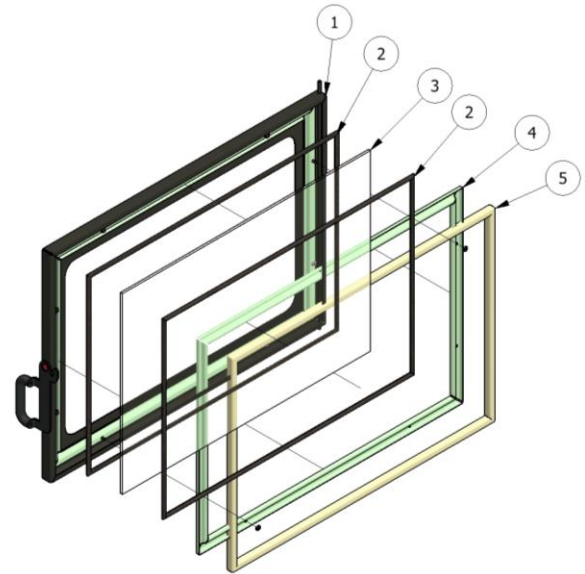
#### To replace a broken glass:

#### CAUTION: Always wear gloves and protective eyewear to avoid injuries.

1. Order a pre-cut replacement glass, a door gasket and a glass gasket from your dealer.
2. To remove the door, open the door, lift it and pull it towards the bottom until the rod exits from the hinge holes.
3. Remove the gasket #5 (see figure 7).
4. Remove the nuts, the glass retainer #4 and the glass gasket #2.
5. Remove the broken pieces. Clean the frame carefully to insure that it is free of small fragments.
6. Insert the new glass #3 into the doorframe #1. Center the class with the frame.
7. Install the glass gasket and the glass retainer.
8. Fix the glass supports to the doorframe. Do not over tighten the nuts.
9. Apply a bead (width between 1/8" and 5/32") of high temperature silicone on the door gasket groove.
10. Install the new door gasket in the groove.

#### WARNINGS:

- Do not slam the door shut. If your glass door cracks or breaks, replace the glass immediately.
- Do not overfire the woodstove.
- Do not use substitute materials.



| PARTS LIST |                                   |
|------------|-----------------------------------|
| ITEM       | DESCRIPTION                       |
| 1          | Door frame                        |
| 2          | Glass gasket 3/8 x 144 in         |
| 3          | Glass, Ceramic 5mm 17 x 24-1/4 in |
| 4          | Glass retainer                    |
| 5          | Door gasket 3/4 x 84 in           |

Figure 7 – Glass Replacement

### 3.8 Gasket Replacement

**WARNING:** Never operate the woodstove without a gasket or with a damaged one. A gasket should be replaced when damaged or worn.

To replace a gasket:

1. Remove the door by opening it, lifting it and pulling it towards the bottom until the rod exits from the hinge holes.
2. Place the door on a clean, flat surface with the side of the door having the gasket facing up.
2. Remove the gasket and adhesive.
3. Apply a high temperature resistant silicone on the gasket channel of the door.
4. Place the new gasket and gently press it on the high temperature resistant silicone.
5. Leave the silicone to dry for a minimum of 12 hours.
6. Install the door by inserting the hinges in their respective holes.

Each door should be air tight when closed. To verify if a gasket has been properly installed, place a sheet of paper over the frame of the firebox opening and close the door. If the paper does not slide easily, the gasket has been installed properly.

### 3.9 Latch Lubrication



Figure 8 – Latch Lubrication

Periodically lubricate the latch with grease as indicated in Figure 8.

#### 4. INSTALLATION INSTRUCTIONS

**Note:** Authority having jurisdiction (such as the municipal building department, the fire department, the fire prevention bureau, etc.) must be consulted before installation to determine if a building permit is required.

**CAUTION:** Read these instructions carefully before starting the installation. Failure to follow these instructions may result in property damage, bodily harm and even death.

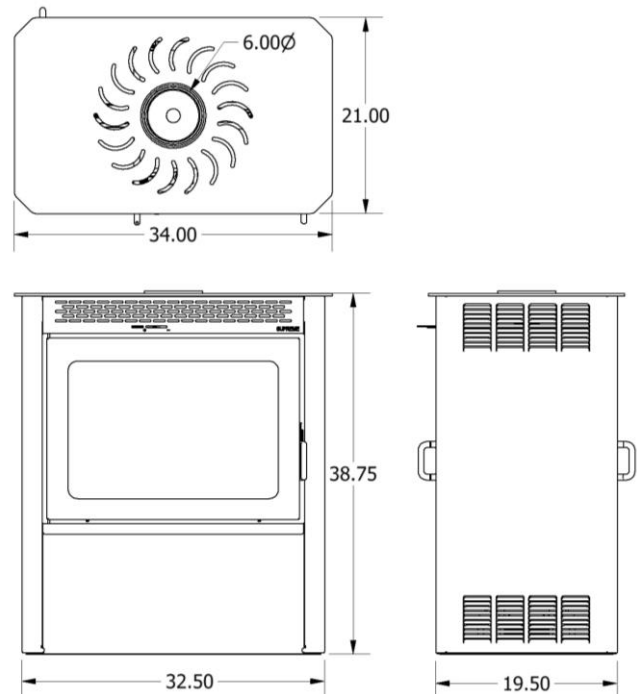
##### 4.1 Location of the Woodstove

Select the appropriate location for the woodstove. The position of the woodstove should be selected on the basis of heat output, safety and aesthetics.

Position the woodstove at the selected location, taking care of respecting the minimum clearances to combustible materials shown in Figure 11 on page 12.

The cutting of joists and rafters for floor, ceiling and roof chimney penetrations will affect the load bearing capacities of the dwelling structure. To determine whether additional support is required, consult a professional engineer. Improper cutting of chimney openings in the attic and roof will affect the bearing and thermal insulating capacity as well as the weather tightness of the dwelling. Incorrect workmanship must be avoided. Consult a professional engineer or a certified installer if needed.

If possible, select a location for the woodstove that will minimize the number of offsets in the chimney course. Offsets will reduce the draft, complicate the chimney sweeper's work and increase installation costs. An installation drawing should be prepared prior to the installation work.



**4.2 The Hearth Extension U.S.A Only**

The minimum dimensions of the hearth extension are specified in figures 9. The hearth extension is to be covered with non-combustible materials only, such as steel, cement or mortar, stone, brick, ceramic tiles. Unidentified materials may be combustible: verify the product specifications prior to installation. The hearth extension must extend a minimum of 16 inches measured from the door of the woodstove and extended all the way back to the woodstove.

**WARNING: The hearth extension is to be installed only as illustrated in figure 9.1 or 9.2. The hearth extension should extend a minimum of 16 inches from the door.**

The non-combustible hearth extension must be constructed of materials having a minimum R-Value of 0.78. The R-Value is a measurement of the insulating properties of materials at a reference thickness. When different materials are combined, the total R-Value is the sum of the individual R-Values.

**Example:**

Durock 1/2" R-Value:  $2 \times .390 = .780$

Ceramic 1/4" R-Value: .020

Total R-Value:  $.780 + .020 = 0.800$

The combination of 1" Durock with a ceramic tile is acceptable as a hearth extension since the total R-Value is higher than the required .78.

Alternatively, the insulating properties can be defined as:

K-Factor: Thermal conductivity.

C-Factor: Thermal conductance.

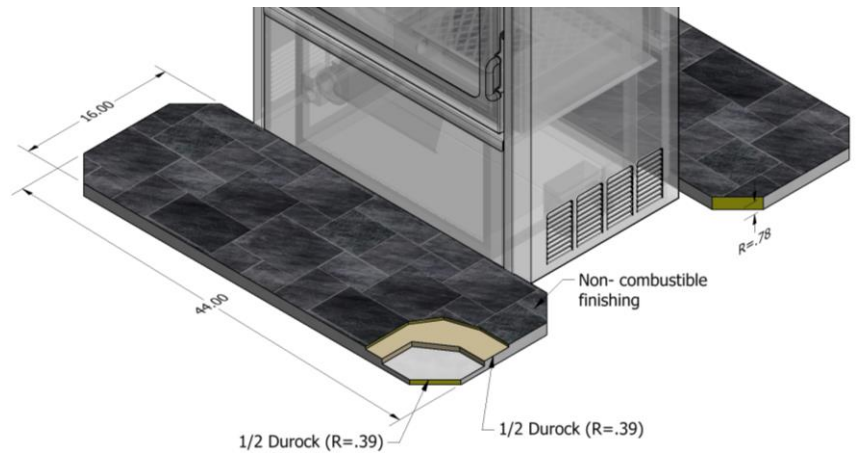
In this case convert to R-Value as following.

**Convert specification to R-Value:**

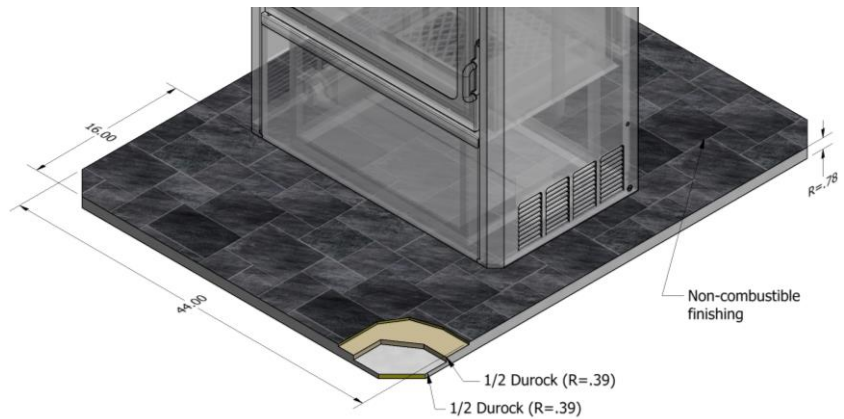
- i. R-Value given - no conversion needed.
- ii. K-Factor is given with a required thickness (T) in inches:  $R = 1/k T$
- iii. C-Factor is given:  $R = 1/C$

**R-Values of common hearth materials:**

| Material              | Thickness | R-Value |
|-----------------------|-----------|---------|
| Brick                 | 4"        | .800    |
| Brick                 | 2-1/4"    | .450    |
| Cement Board (Durock) | 1/2"      | .390    |
| Limestone             | 1"        | .153    |
| Slate                 | 1"        | .100    |
| Concrete              | 1"        | .095    |
| Marble                | 1"        | .090    |
| Granite               | 1"        | .083    |
| Ceramic Tile          | 1/4"      | .020    |



**Figure 9.1 – Hearth Extension U.S.A**



**Figure 9.2 – Hearth Extension U.S.A**

**4.2.1 The Hearth Extension CANADA Only**

The minimum dimensions of the hearth extension are specified in Figure 10. The hearth extension is to be covered with non-combustible materials only, such as steel, cement or mortar, stone, brick, ceramic tiles. Unidentified materials may be combustible; verify the product specifications prior to installation.

The hearth extension must extend a minimum of 18 inches measured from the door of the woodstove and extended all the way back to the woodstove.

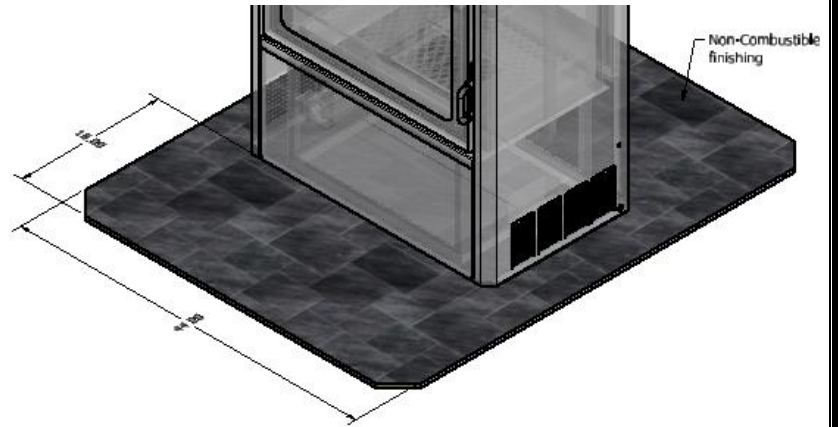


Figure 10 – Hearth Extension CANADA

**WARNING: The hearth extension is to be installed only as illustrated in figure 10. The hearth extension should extend a minimum of 18 inches from the door.**

**4.3 Clearances to Combustibles**

The clearances to combustibles indicated in the Figure 11 must be respected. Failing to do so can result in a fire or safety hazard.

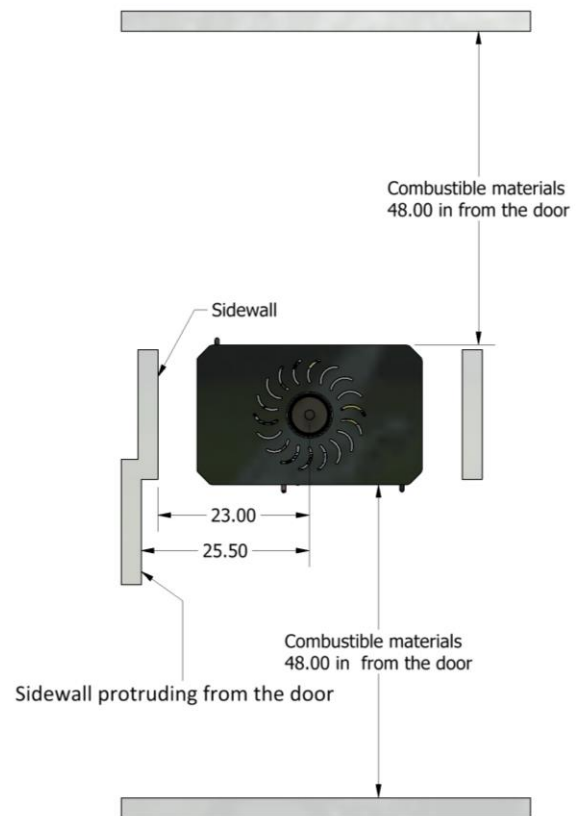
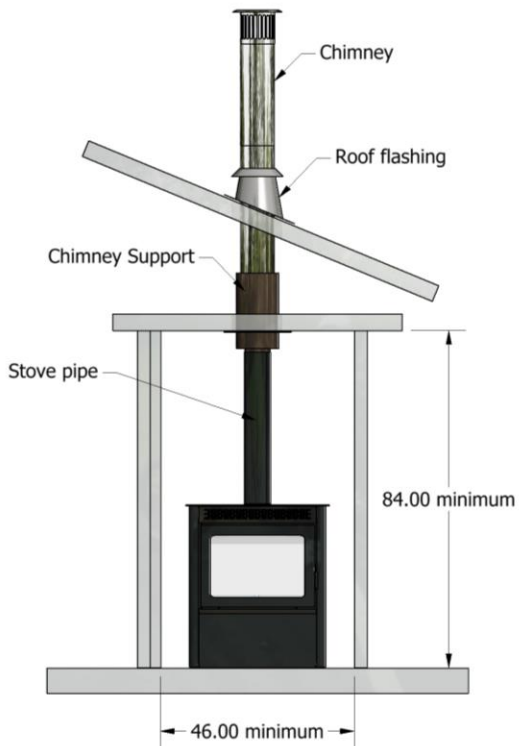


Figure 11 – Clearances to Combustibles

**NOTE:** Material that is non-combustible may protrude around the woodstove.

**Clearances to the front of the woodstove:**

The minimum distance between the front of the woodstove and any combustible material is 4 feet (122 cm). Do not place such materials within this minimum distance in order to reduce risk of fire.

## 4.4 Blower Kit Installation

A blower kit is supplied with the Vision woodstove. It includes two 125 cfm blowers. A variable speed control and a heat sensory thermodisk also come standard with the Vision. Do not install a substitute kit as this may result in overheating and risk of fire. The location of the blowers is shown in figure 12.

To install the blower kit:

1. Push slightly the bottom of the blower grille in order to unlock it and open it up (each woodstove side has a blower grille with a blower).
2. Make the electrical connections (see figure 13).
3. Fix the blowers in place.

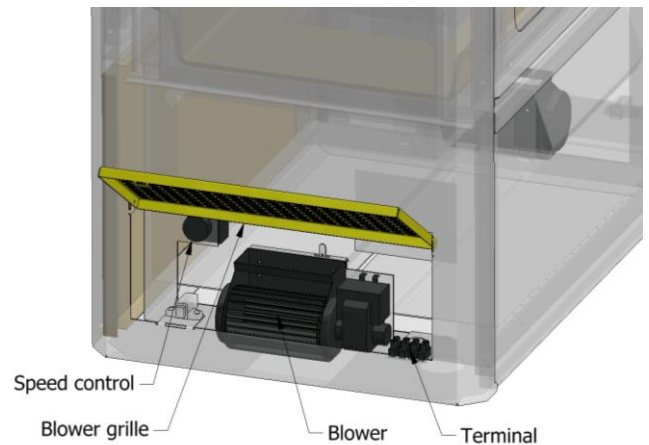


Figure 12 – Blower Kit Location

**Note: All electrical connections must be made by a qualified electrician.**

Once all the appropriate connections have been made, the blowers should turn on and turn off automatically. When the woodstove gets hot and the thermodisk reaches 95°F, the blowers will turn on. The average time it takes for the blowers to activate is 30 to 45 minutes after starting a fire the recommended way as explained in section 2.4. The blowers will turn off once the woodstove has cooled down and the thermodisk is 85°F. The speed of the blowers can be adjusted with the variable speed control (Figure 12). The Vision can also be used with the blowers turned off or in the occurrence of a power failure.

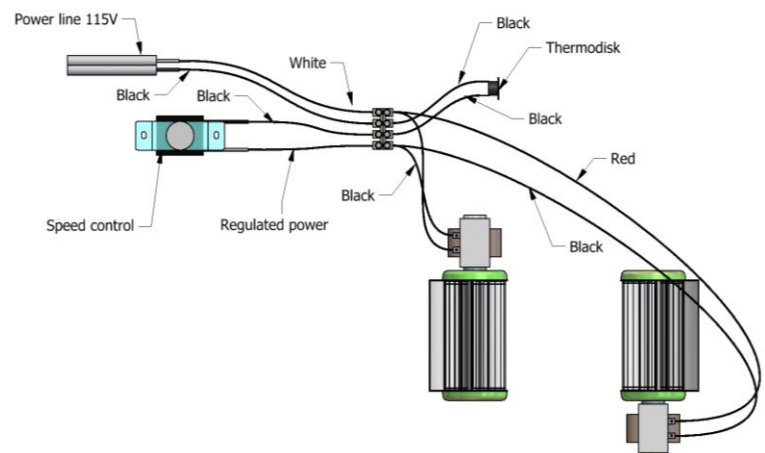


Figure 13 – Blower Kit Electrical

## 4.5 Chimney Installation

The use of a 6" listed UL 103/ULC S629 approved chimney is required.

**NOTE:** The woodstove can be installed with a 7 inch chimney as long as there is a 6 inch to 7 inch adaptor installed. The adaptor must be of the same chimney brand. Do not mix chimney parts of different brands.

**WARNING:** When connecting the woodstove to an existing chimney, inspect thoroughly the installation of the existing chimney, verify that the installation conforms to the chimney manufacturer's requirements and the chimney is in good condition.

**NOTE:** In most cases, it is preferable to replace the existing chimney. Do not take unnecessary risks.

**WARNING:** Always respect the minimum clearances to combustibles. A 2 inch minimum clearance is required for prefabricated chimneys.

### 4.5.1 General Rules

**CAUTION:** Follow the chimney manufacturer's instructions for correct chimney installation, unless otherwise specified in these instructions.

- Installing an interior chimney system will provide optimal performance. Exterior chimney systems may cause drafting issues and an increased creosote buildup rate.
- The height of the chimney, including the woodstove, must be between 15 and 35 feet.

- The chimney must be connected only to the woodstove to be installed: it must not be connected to any other appliance.
- Portions of the chimney that extend through accessible spaces shall be enclosed by an enclosure.
- The clearance between the chimney and any combustible material must not be less than 2 in.: this free space must not be filled with insulation or any other material.
- At least one support must be incorporated in the chimney installation.
- A fire stop is required at each joist where the chimney goes through a ceiling or floor and through a wall.
- Avoid deviations whenever possible. Deviations (especially more pronounced deviations) may cause drafting issues.
- The chimney shall extend at least 3 ft above its point of contact with the roof and at least 2 ft higher than any wall, roof or adjacent building within a radius of 10 ft.
- If the chimney extends 5 feet or more above the contact point with the roof, a roof brace must secure it in place.
- A rain cap must be installed on the top of the chimney in order to avoid internal damage and corrosion.
- For clearances to combustibles when installing a combustible chase enclosure for above roof chimney sections, consult with the chimney manufacturer.

Obtain the chimney installation instructions from your vendor, prior to the installation of the chimney. The chimney installation must comply with the chimney manufacturer's instructions, unless otherwise noted in these instructions.

#### 4.5.2 Reference Table of Listed UL 103/ULC S629 Chimneys

Note: The Table 1 is for reference only. Other models can be used as long as they are listed to UL 103/ULC S629 standards.

**Table 1 – List of Approved Chimneys**

| <b>Manufacturer</b> | <b>Models</b>  |
|---------------------|--|
| ICC                 | <ul style="list-style-type: none"> <li>• Excel 2100, 1" Solid Pack, 6" inner diameter</li> </ul>   |
| Security Chimney    | <ul style="list-style-type: none"> <li>• ASHT+, 1" Solid Pack, 6" inner diameter</li> <li>• S-2100+, 2" Solid Pack, 6" inner diameter</li> </ul>   |
| FMI (US only)       | <ul style="list-style-type: none"> <li>• AC, AC Triple Wall, 6" inner diameter</li> </ul>  |
| Selkirk             | <ul style="list-style-type: none"> <li>• Super Pro (SPR) , 1" Solid Pack, 6" inner diameter</li> <li>• Super Pro 2100 (ALT) , 2" Solid Pack, 6" inner diameter</li> <li>• Hart &amp; Cooley (TLC) , 1" Solid Pack, 6" inner diameter</li> <li>• Sure-Temp (ST) , 1" Solid Pack, 6" inner diameter</li> <li>• Super Vent (JSC) , 1" Solid Pack, 6" inner diameter</li> <li>• Super Vent 2100 (JM) , 2" Solid Pack, 6" inner diameter</li> <li>• Ultra-Temp (UT) , 1" Solid Pack, 6" inner diameter</li> <li>• UltimateOne, 1" Solid Pack, 6" inner diameter</li> <li>• CF Sentinel (CF) , 2" Solid Pack, 6" inner diameter</li> </ul> |
| Simpson Dura-Vent   | <ul style="list-style-type: none"> <li>• Dura Tech, 1" Solid Pack, 6" inner diameter</li> <li>• Dura Plus HTC, 2" Solid Pack, 6" inner diameter</li> <li>• Dura Plus, AC Triple Wall, 6" inner diameter</li> </ul>   |
| Metal Fab           | <ul style="list-style-type: none"> <li>• Temp Guard, 1" Solid Pack, 6" inner diameter</li> </ul>   |
| American Metal      | <ul style="list-style-type: none"> <li>• HS, AC Triple Wall, 6" inner diameter</li> <li>• HSS, AC Triple Wall, 6" inner diameter</li> </ul>  |
| Olympia Chimney     | <ul style="list-style-type: none"> <li>• Ventis, 1" Solid Pack, 6" inner diameter</li> </ul>   |

### 4.5.3 Chimney Installation Instructions

1. Square holes providing a 2" minimum clearance to combustibles from the chimney must be cut and framed in all ceilings, roof and floors that the chimney will pass through.
2. Install a firestop in every ceiling/floor or wall through which the chimney passes. An attic radiation shield must be installed from above at the attic level.
3. Install the chimney support.
4. Install the stove pipe.
5. Consult the chimney manufacturer's installation instructions and install the chimney lengths. Lock each length in place.
6. Install the roof support once the desired height is reached.
7. Position the roof flashing. For sloping roofs, slide the top edge of the flashing under the shingles. At least half of the flashing should be under the shingles and the lower end over the shingles. Seal the joint between the roof and the flashing with roofing cement or silicone. Fix the flashing to the roof with roofing nails.
8. Over the flashing, install the storm collar by tightening the bolt that is supplied. Seal the joint using silicone caulking between the chimney and the storm collar.
9. Install the chimney rain cap.

**WARNING: Do not seal or caulk the ventilating openings when installing a ventilated roof flashing.**

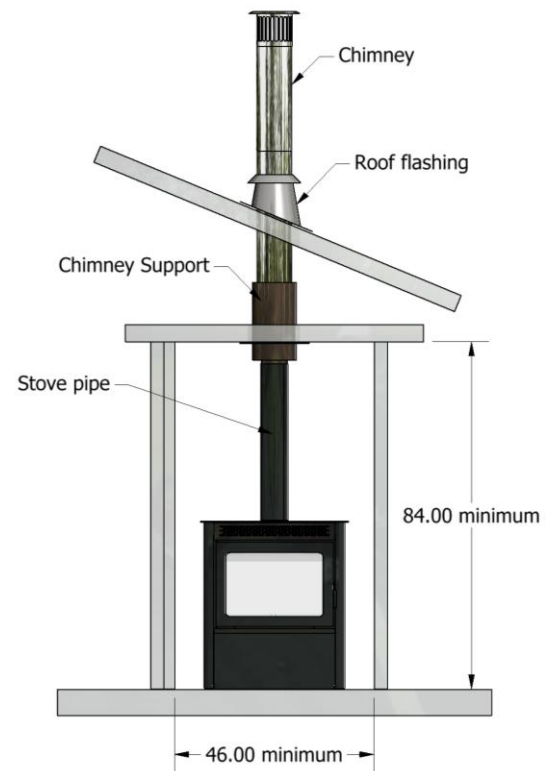


Figure 14 – Typical Chimney Installation

### 4.5.4 Typical Installations

The figure 14 is an example of typical chimney installations. Your installation may be different from this figure.

### 4.5.5 Offset Installation

In order to avoid obstacles or to extend the chimney outside, it is possible to offset the aforementioned by using elbows.

- A maximum of two offsets (2 elbows per offset) is permitted.
- The allowable maximum deviation is 45° in Canada and 30° in the US.
- Secure the chimney parts according to the instructions given by the chimney manufacturer.
- A support strap, a wall or a roof support must be installed above each offset in order to support the vertical length of the chimney above the offset.
- The chimney must extend vertically through a ceiling/floor. Do not install elbows in this area.
- Use a support on the first 15 foot section.

To install an elbow:

1. Turn the elbow in the direction needed and secure it to the chimney by following the chimney manufacturer's instructions.
2. Follow the chimney manufacturer's instructions to install the chimney lengths necessary for the offset.
3. Secure a second elbow to turn the chimney in the vertical position.
4. Cut and frame a hole in the ceiling and floor to allow the chimney to pass through.
5. Install a firestop from below.

**N.B.: Always install a ventilated flashing and a roof firestop, unless it is otherwise specified by the chimney manufacturer.**

**Depending on the brand of the chimney support, an attic radiation shield may be required.**

## 5. OPTIONS

### 5.1 Removable Ash Lip

The removable ash lip is an accessory that comes with the Vision and is designed to prevent ashes from falling onto the hearth extension. Beneath the opening of the firebox, there are two metal tacks that support the ash lip in place.

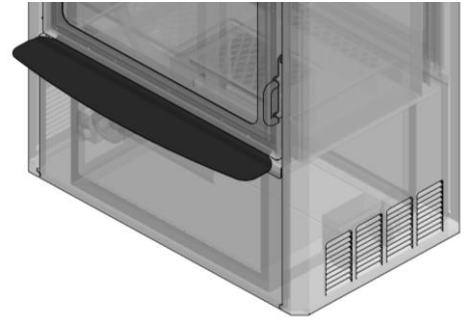


Figure 15 – Removable Ash Lip

## 6. REPLACEMENT PARTS

| CODE     | DESCRIPTION                                 | ITEM  |
|----------|---|---|
| PAD1000  | Combustion Air Control                      |    |
| DOSP1051 | Pyroceramic Glass for Vision<br>17 x 24 1/4 |    |
| POI      | Wooden Door Handle                          |   |
| MVD      | Fan   |  |
| THE      | Thermodisk                                  |  |
| CV       | Fan Speed Control                           |  |
| DOSP1071 | Door Gasket Rope<br>5/8" x 7'               |  |
| DOSP1061 | Glass Gasket Rope<br>3/8" x 7'              |  |

### SPECIFICATION OF ELECTRIC COMPONENTS:

| PART No  | DESCRIPTION         | SPECIFICATION             | CERTIFICATION |
|----------|---------------------|---------------------------|---------------|
| KBWC-13K | Motor speed control | 2.5 Amps- 120V.A.C        | CSA, RJ US    |
| 36T22    | Thermo-disk         | F100-15, 120V.A.C , 15A   | UL, CSA       |
| BL1000   | Blower              | .2 Amps -120 V.A.C, 60 HZ | UL, CSA       |



7. LABELS



Conforms to/Conforme à: UL-1482-2011  
 Certified to/Certifié selon: ULC-S627  
 February 2014/Février 2014

Intertek  
 W/N 17063

ENVIRONMENTAL PROTECTION AGENCY  
 CERTIFIED/CERTIFIÉ PAR L'AGENCE DE  
 PROTECTION DE L'ENVIRONNEMENT

LISTED FACTORY BUILT WOODSTOVE  
 POÊLE À BOIS HOMOLOGUÉ

MODEL/MODÈLE: VISION

WH-

DATE MANUFACTURED/DATE DE FABRICATION  
 1 2 3 4 5 6 7 8 9 10 11 12 14-15-16-17-18-19-20-21-22



MADE IN CANADA/FABRIQUÉ AU CANADA

**MINIMUM CLEARANCES TO COMBUSTIBLES**

- A. SIDE WALL TO FLUE CENTER 23 IN. (584 MM)
- B. AHEAD DOOR SIDE WALL TO FLUE CENTER 25.5 IN. (648 MM)
- C. BACK WALL TO FLUE CENTER 58 IN. (147 CM)

**HEARTH EXTENSION**

COMBUSTIBLE FLOOR MUST BE PROTECTED BY A NON-COMBUSTIBLE MATERIAL EXTENDED TO THE FRONT, SIDES AND BACK AS INDICATED. IN U.S.A., THE MINIMUM R-VALUE OF THIS MATERIAL MUST BE 0.78.

- |           |                     |           |                     |
|-----------|---------------------|-----------|---------------------|
| IN CANADA | D. 18 IN. (457 MM)  | IN U.S.A. | D. 16 IN. (406 MM)  |
|           | E. 5.5 IN. (140 MM) |           | E. 5.5 IN. (140 MM) |

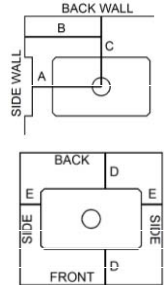
**DÉGAGEMENTS MINIMUMS AUX COMBUSTIBLES**

- A. MUR LATÉRAL AU CENTRE DU TUYAU 23 PO. (584 MM)
- B. MUR LATÉRAL DU DEVANT AU CENTRE DU TUYAU 25.5 PO. (648 MM)
- C. MUR ARRIÈRE AU CENTRE DU TUYAU 58 PO. (147 CM)

**PROLONGEMENT DE L'ÂTRE**

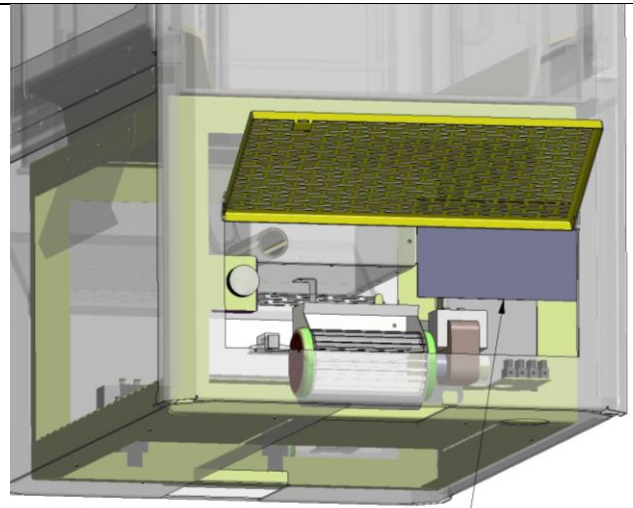
UN PLANCHER COMBUSTIBLE DOIT ÊTRE RECOUVERT D'UN MATÉRIAU NON COMBUSTIBLE SE PROLONGEANT DEVANT, SUR LES CÔTÉS ET DERRIÈRE TEL QU'INDIQUÉ. AUX ÉTATS-UNIS, LA VALEUR R MINIMUM DE CE MATÉRIAU DOIT ÊTRE 0.78.

- |           |                     |                |                     |
|-----------|---------------------|----------------|---------------------|
| AU CANADA | D. 18 PO. (457 MM)  | AUX ÉTATS-UNIS | D. 16 PO. (406 MM)  |
|           | E. 5.5 PO. (140 MM) |                | E. 5.5 PO. (140 MM) |



- FOR USE WITH WOOD ONLY. DO NOT USE OTHER FUELS.
- USE ONLY IN ACCORDANCE WITH MAUFACTURER'S INSTALLATION AND OPERATING INSTRUCTIONS.
- NOT SUITABLE FOR MANUFACTURED OR MOBILE HOMES.
- USE 6 IN. (152 MM) DIAMETER LISTED CONNECTOR WITH LISTED FACTORY-BUILT CHIMNEY SUITABLE FOR USE WITH SOLID FUELS OR MASONRY CHIMNEY.
- DO NOT PASS A CHIMNEY CONNECTOR THROUGH A COMBUSTIBLE CEILING.
- DO NOT CONNECT THIS UNIT TO A CHIMNEY SERVING ANOTHER APPLIANCE.
- FOR CLOSED DOOR OPERATION ONLY.
- DO NOT OVERFIRE THE UNIT. IF HEATER OR CHIMNEY CONNECTOR GLOWS, YOU ARE OVERFIRING.
- ELECTRICAL RATINGS 120 V, 1.1 A, 60 HZ.
- REPLACE GLASS ONLY WITH CERAMIC 5 MM THICK ONLY.
- CAUTION: AIR IS NECESSARY FOR WOODSTOVE OPERATION. PRIMARY AND SECONDARY COMBUSTION AIR OPENINGS MUST NOT BE OBSTRUCTED.
- CONTACT LOCAL BUILDING CODE OR FIRE OFFICIALS ABOUT RESTRICTIONS AND INSTALLATION INSPECTION IN YOUR AREA.
- THE WOODSTOVE AND CHIMNEY MUST BE INSPECTED AND CLEANED REGULARLY.

- POUR UTILISATION AVEC BOIS SEULEMENT, NE PAS UTILISER D'AUTRES CARBURANTS.
- INSTALLER ET UTILISER CONFORMÉMENT AU MANUEL D'UTILISATION DU FABRICANT.
- NE CONVIENT PAS AUX MAISONS MOBILES OU PRÉFABRIQUÉES.
- UTILISER DU TUYAU DIAM. 6 PO. (152 MM) HOMOLOGUÉ AVEC UNE CHEMINÉE PRÉFABRIQUÉE HOMOLOGUÉE CONVENANT POUR UNE UTILISATION AVEC DES CARBURANTS SOLIDES OU UNE CHEMINÉE DE MAÇONNERIE.
- NE PAS PASSER DE TUYAU AU TRAVERS UN PLAFOND COMBUSTIBLE.
- NE PAS RACCORDER CET APPAREIL À UNE CHEMINÉE DESERVANT UN AUTRE APPAREIL.
- POUR OPÉRATION AVEC PORTE FERMÉE SEULEMENT.
- NE PAS SURCHAUFFER L'UNITÉ. SI LE POÊLE OU LE TUYAU ROUGIT, IL Y A SURCHAUFFE.
- ALIMENTATION ÉLECTRIQUE 120 V, 1,1 A, 60 HZ.
- REMPLACER UNE VITRE SEULEMENT AVEC DU VERRE PYROCÉRAMIQUE DE 5 MM D'ÉPAISSEUR.
- ATTENTION : L'AIR EST NÉCESSAIRE AU FONCTIONNEMENT DU FOYER. LES ENTRÉES D'AIR DE COMBUSTION PRIMAIRE ET SECONDAIRE NE DOIVENT PAS ÊTRE OBSTRUÉES.
- CONTACTER LES AUTORITÉS DE VOTRE LOCALITÉ AYANT JURIDICTION CONCERNANT LES RESTRICTIONS ET INSPECTIONS D'INSTALLATION.
- LE POÊLE ET LA CHEMINÉE DOIVENT ÊTRE INSPECTÉS ET NETTOYÉS RÉGULIÈREMENT.



Label

# WOOD HEATER CERTIFICATION

This certificate is issued in recognition that  
the following wood heater model line:

\_\_\_\_\_ Duet, Duet 4 Seasons, and the Vision

*Model Name*

\_\_\_\_\_ None

*Model Number*

\_\_\_\_\_ Foyer Supreme

*Manufacturer Name*

has completed all requirements necessary for  
certification and is a certified model line pursuant to  
U.S. Environmental Protection Agency regulations.



\_\_\_\_\_  
*Ed J. Moran*  
Director

Monitoring, Assistance, and Media Programs Division

\_\_\_\_\_ 923

Certificate Number

\_\_\_\_\_ 12/17/2018

Expiration Date

## **8. SUPREME LIMITED 25 YEAR WARRANTY**

SUPREME FIREPLACES INC. warrants its factory-built woodstoves will be free from defects in material and workmanship, under normal use and service, for a period of twenty-five (25) years from the date of purchase.

This warranty is only intended for the original retail purchaser, given that the product was purchased from SUPREME FIREPLACES INC. or one of its distributors. This warranty is conditional upon correct installation and intended use of our products and does not cover damages caused by misuse of the products. This warranty shall be void if the woodstove is not installed by an authorized qualified technician in accordance with the installation instructions in the manual provided with this product. The installation must meet local and national building codes.

### **WARRANTY LIMITATIONS:**

If the woodstove is used according to the instructions in the manual, a slight deformation of the panels can occur. This does not affect the functionality or the safety of the woodstove and the replacement of the panels is not necessary. If the woodstove is abused and not used according to our instructions, excessive deformation can occur. In this case, the stainless steel panels must be replaced at the cost of the customer.

1. During the first two years of the Limited Warranty, SUPREME FIREPLACES INC. will provide replacement parts at no charge and will also pay for reasonable labor costs for repair work, except for the parts listed in the EXCLUSIONS portion of this warranty.
2. During the third through the fifth year of the limited warranty, SUPREME FIREPLACES INC. will provide replacement parts (if available) at no charge, except for the parts mentioned in the EXCLUSIONS portion of this warranty. SUPREME FIREPLACES INC. shall not be responsible for any labor costs.
3. From the sixth through the twenty-fifth year of the limited lifetime warranty, SUPREME FIREPLACES INC. will provide replacement parts (if available) at 50 % of the retail price, except for the parts listed in the EXCLUSIONS portion of this warranty. SUPREME FIREPLACES INC. shall not be responsible for any labor costs.

Transportation and other related costs or expenses arising from the replacement or repair of defective parts will not be covered by this warranty, nor will SUPREME FIREPLACES INC. assume responsibility for them.

### **EXCLUSIONS**

SUPREME FIREPLACES INC. shall not be responsible for any labor costs for the replacement or repair of any electrical components, painted or plated parts, secondary air burning system, stainless steel panels and the combustion air control.

The following parts are guaranteed for 1 year: blowers, painted/plated parts, secondary air burning system, door gasketing and stainless steel panels.

The following parts are guaranteed for 90 days: ceramic glass (Thermal Breakage ONLY).

**This warranty applies to normal residential use only. Damages caused by acts of nature or natural disasters, accidents, over firing, misuse, abuse, negligence, improper installation, alterations or substitutions of components of the woodstove, over-firing, abrasives, chemical cleaners, negligence are not covered by this warranty. Burning anything other than natural wood will damage your woodstove and void the warranty.**

**SUPREME FIREPLACES INC will not be responsible for environmental conditions such as inadequate vents or ventilation, excessive venting configurations or negative air pressures which may or may not be caused by mechanical systems such as exhaust fans, furnaces, clothes dryers, etc.**

The manufacturer at its discretion may decide to repair or replace any part or unit after inspection and investigation of the defect. The manufacturer may, at its discretion, fully discharge all obligations with respect to this warranty by refunding the wholesale price of the defective part(s).

The manufacturer shall in no event be responsible for any consequential damages of any nature, which are in excess of the original purchase price of the product. Any complete woodstove, or part thereof, that is replaced or serviced under this warranty will be warranted for a period not exceeding the remaining term of the original warranty.

**This limited Lifetime Warranty is effective on all appliances sold and supersedes any and all warranties currently in existence.**

**Please register your SUPREME product online at <http://www.supremem.com/registration.php> to ensure full warranty coverage. Proof of purchase is required for all warranty claims.**



**Obadiiah's**

**1-800-968-8604**

---

**WOODSTOVES**

*Serving you online since 1999*