



*i1150 small wood insert shown with nickel accent door & oversize faceplate.*

### FEATURES

- EPA 2020 certified
- Large fire viewing area
- Wood finished handle
- Heavy duty cast hinges
- Front mounted air adjustment
- Air operating tool
- High performance brick-lined firebox
- Clean glass airwash system
- Heavy gauge steel log retainers

### OPTIONS

- Cast iron door with heat radiating ceramic glass in black or nickel accent
- Regular or oversize faceplate (black trim included)
- Variable speed blower
- Standard or 4-1/2" offset flue adaptor
- Regency stainless steel flex liner kits
- Wrap insulation kits
- Flue connectors

### SPECIFICATIONS

Maximum BTU*	55,000
Typical sq. ft. heated**	600 - 1,200
Efficiency (EPA LHV)	75%
Max log size	18"
Burn time	Up to 8 hours
Emissions	1.7 g/h
Firebox size	1.3 cu. ft.
Flue size	6"

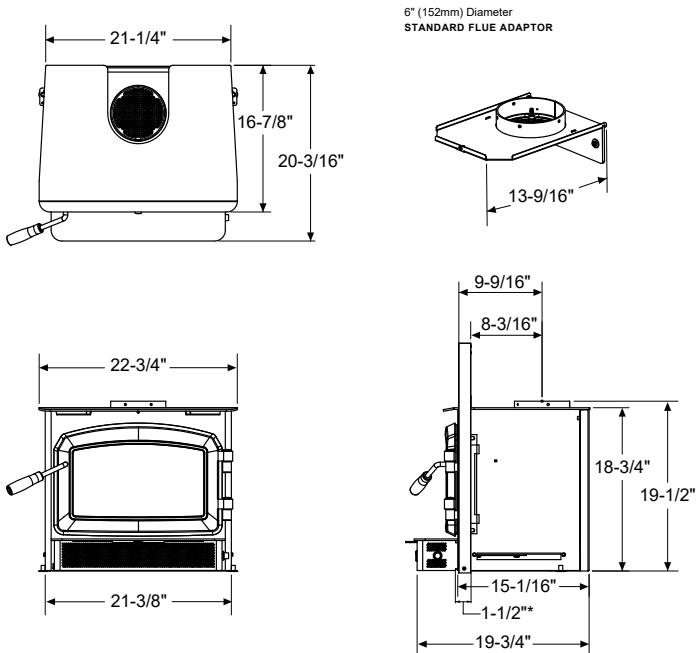
*\* Length of burn time and BTU range depend on type of wood, moisture content, climate conditions and installation.*

*\*\* Varies depending on home floor plan, house layout, heat loss of the house and quality/moisture content of wood.*



## DIMENSIONS

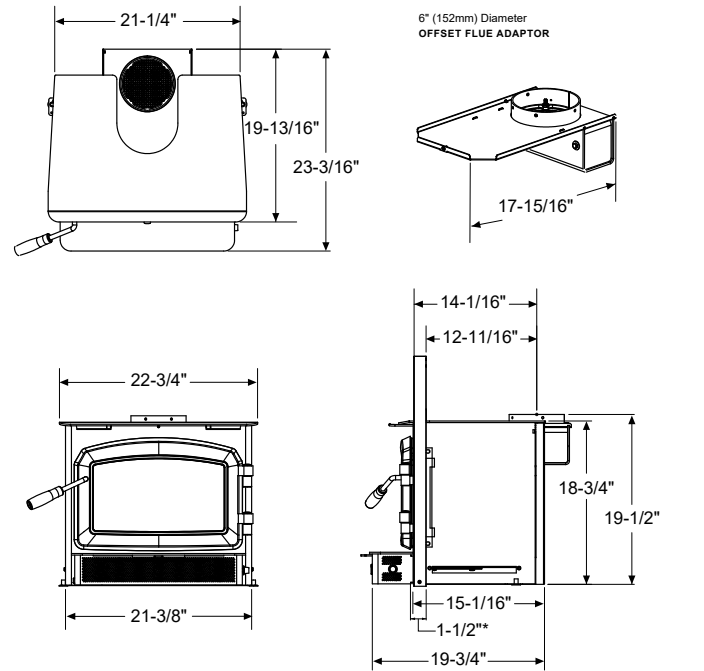
### Standard Flue Adaptor



Regency Inserts are designed to use either a 5.5" or 6" flue

6" (152mm) Diameter  
STANDARD FLUE ADAPTOR

### Offset Flue Adaptor



Regency Inserts are designed to use either a 5.5" or 6" flue

6" (152mm) Diameter  
OFFSET FLUE ADAPTOR

## CLEARANCES

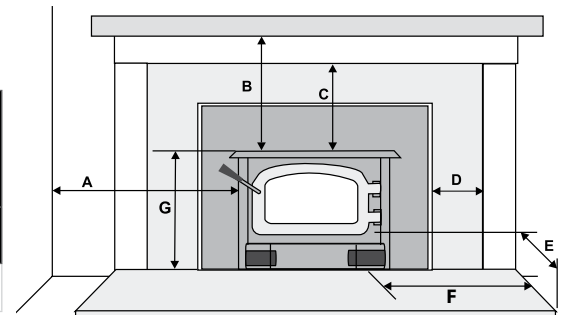
MIN. FIREPLACE OPENING	i1150
Height	19"
Width (front)	23"
Depth (with standard flue adaptor)	13-3/4"
Depth (with offset flue adaptor)	16-1/2"

### MASONRY AND FACTORY BUILT FIREPLACE CLEARANCES

The minimum required clearances to combustible materials when installed into a masonry or factory built fireplace are listed below for 3.5" mantle:

UNIT	ADJACENT SIDE WALL (TO SIDE)	MANTLE (TO TOP OF UNIT)	TOP FACING (TO TOP OF UNIT)	SIDE FACING (TO SIDE OF UNIT)	MIN. HEARTH EXTENSION		MINIMUM HEARTH SIDE EXTENSION	TO TOP OF UNIT
	A	B	C	D	E (USA)	E (CAN)	F	G
i1150**	15"	15"	14"	1/2"	16"	18"	8"	18-3/4"

\*\*NOTE: Refer to manual for any mantle greater than 3.5" up to a maximum of 12".



For installation, framing and clearances see manuals on our website: [www.regency-fire.com](http://www.regency-fire.com)

NOTE: All product specifications are subject to change without notice.  
Before installing refer to the relevant product manual for full and up-to-date information.

[regency-fire.com](http://regency-fire.com)