



1-800-968-8604

Extinguishing mediocrity online since 1999

LRI4E Gas Insert

Model	LRI4E-NG	LRI4E-LP
Fuel Type	Natural Gas	Propane
Minimum Supply Pressure	5" W.C. (1.25 kPa)	11" W.C. (2.73 kPa)
Manifold Pressure - High	3.5" W.C. (0.87 kPa)	10" W.C. (2.48 kPa)
Manifold Pressure - Low	1.6" W.C. (0.41 kPa)	6.4" W.C. (1.59 kPa)
Orifice Size -Altitude 0-4500 ft.	#35 DMS	#53 DMS
Minimum Input Altitude 0-4500 ft. (0-1372m)	22,000 BTU/h (6.45 kW)	26,000 BTU/h (7.62 kW)
Maximum Input Altitude 0-4500 ft. (0-1372m)	31,000 BTU/h (9.09 kW)	31,000 BTU/h (9.09 kW)
Vent Sizing	3"x 3" Co-linear (Standard)	3"x 3" Co-linear (Standard)

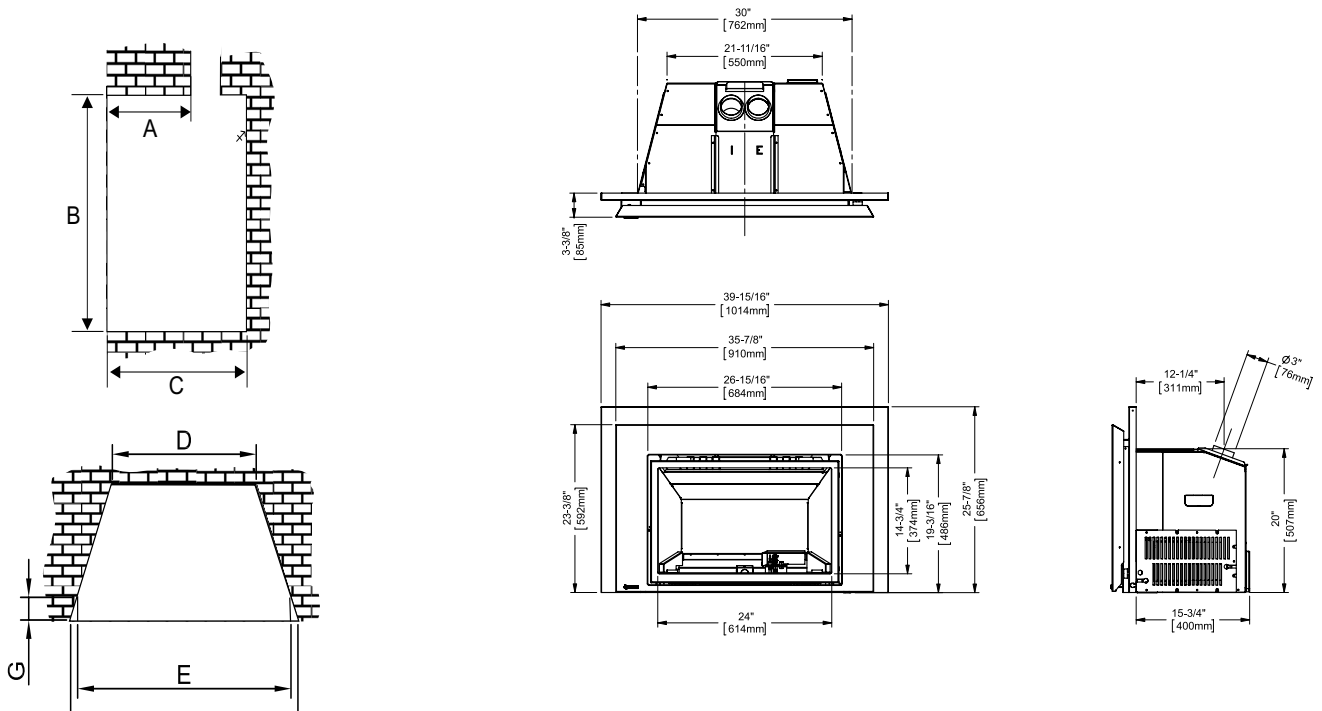
Approved Venting Systems	
Flex Vent Systems:	Collinear termination 946-529
Alternative Approved Terminations	Must use 46DVA-GK along with 46DVA-VCH or 46DVA-VC DuraVent termination caps



UNIT DIMENSIONS—LOW PROFILE FACEPLATE

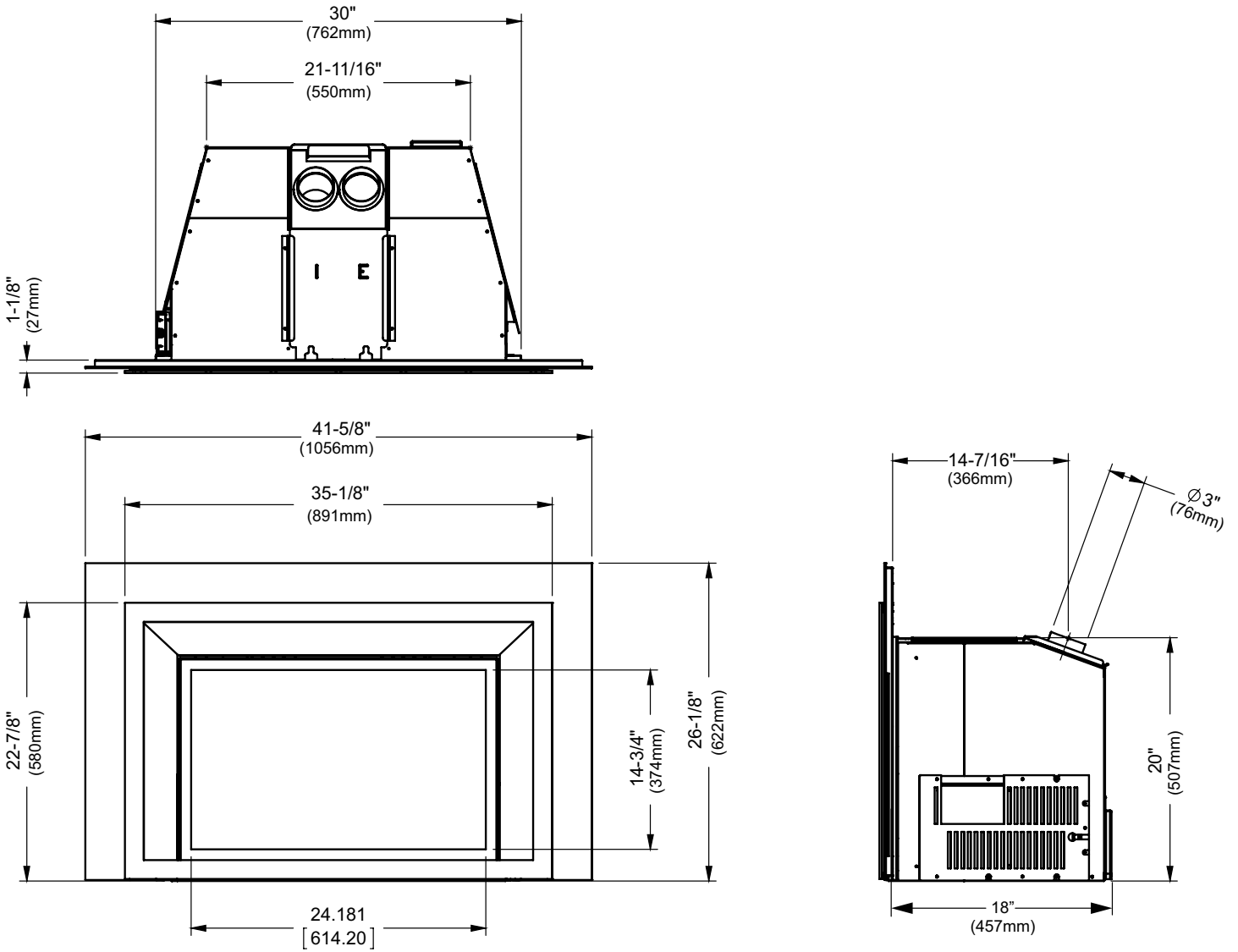
MINIMUM FIREPLACE DIMENSIONS

The minimum fireplace clearances and dimensions for the Regency gas insert are shown in the following diagrams



	Max Lenti Bar Depth A	Height B	Depth C	Width (rear) D	Width (front) E	Width F	Front Depth to taper G
Low Profile Faceplate	10"	20"	15.75"	22"	30"	31-1/4"	2-1/8"
Vignette Faceplate	12-1/4"	20"	18"	22"	30"	35-5/8"	4-3/8"
Vignette Faceplate w/ Spacer	10"	20"	15.75"	22"	30"	31-1/4"	2-1/8"

UNIT DIMENSIONS W/ VIGNETTE FACEPLATE



MINIMUM CLEARANCES TO COMBUSTIBLES

The clearances listed below are Minimum distances unless otherwise stated:

A major cause of fires is failure to maintain required clearances (air space) to combustible materials. It is of the greatest importance that this decorative gas appliance be installed only in accordance with these instructions.

Clearance:	Dimension	Measured From:
A: Sides	6" / 152 mm	From inside edge of faceplate / doors
B: Ceiling	60" / 1524 mm	From base of unit
C: Mantel (Min. Height)	*32" / 813mm 35" / 381mm	From base of unit From base of unit
D: Min. Hearth Width	14" / 356mm	
E: Min. Hearth Length	40" / 1016mm	
G: Max. Mantle Depth	0 - 12" / 305 mm	@ 44" (1118mm) from bottom of unit
K: Min. Alcove Width	54" / 1372 mm	
L: Max. Alcove Depth	36" / 914 mm	
M: Mantel Deflector	3-1/2" / 89mm	

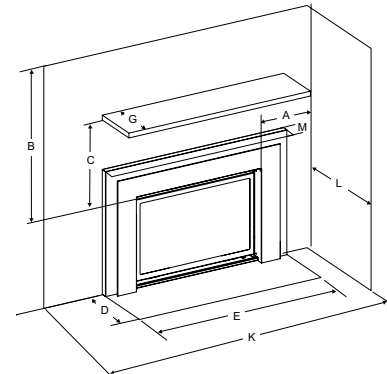


Diagram 1

NOTE: 40" (1016MM) wide x 14" (356mm) deep hearth is required, unless the unit is raised 6" (152.4 mm) off the floor surface.

*An optional 3-1/2" deflector, reduces the mantel height to 32" from bottom of unit @ 1" depth.

MANTLE CLEARANCES WITHOUT DEFLECTOR

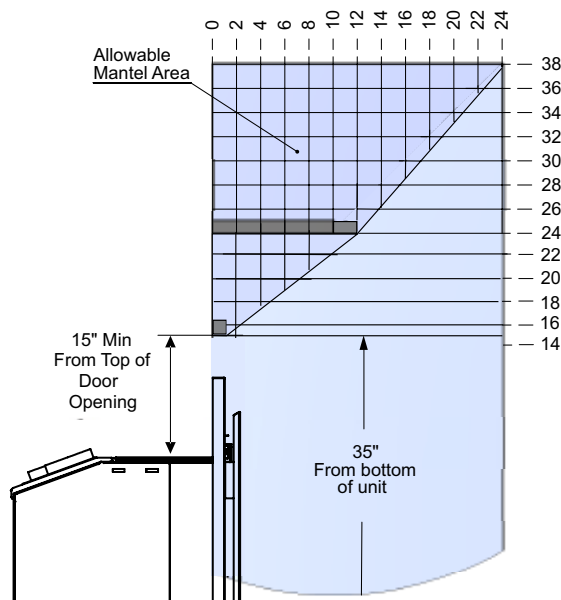


Diagram 2

MANTLE CLEARANCES WITH 3-1/2" DEFLECTOR

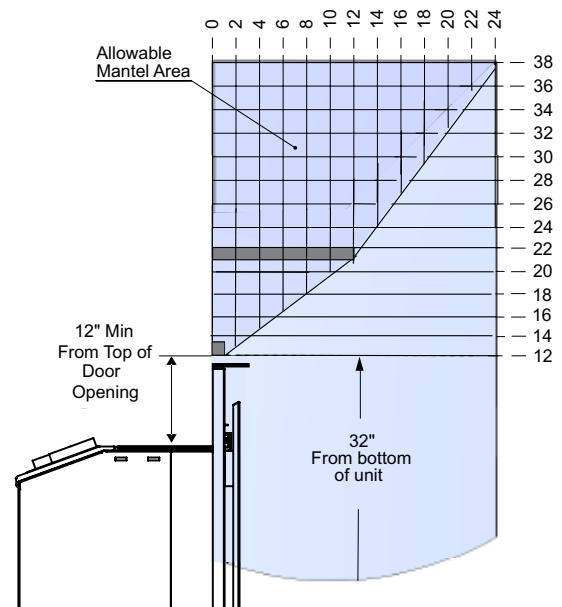


Diagram 3

Note: A 3-1/2" mantel deflector to reduce mantel height to 32" from bottom of unit @ 1" depth.

WARNING

Although this appliance passes safety certification, the hearth in front of the fireplace becomes very hot when the fireplace heats. Do not use the hearth as a seat or shelf.

A noncombustible mantel may be installed at a lower height if the framing is made of metal studs covered with a noncombustible board.
Note: All material must be completely non combustible