



1-800-968-8604

*Extinguishing mediocrity online since 1999*



## Liberty® LRI4E / Regency Horizon® HRI4E Gas Insert

## Owners & Installation Manual



Liberty® LRI4E



Horizon® HRI4E

[www.regency-fire.com](http://www.regency-fire.com)

MODELS: LRI4E-NG Natural Gas      LRI4E-LP Propane  
          HRI4E-NG Natural Gas      HRI4E-LP Propane

**⚠ WARNING**  
**FIRE OR EXPLOSION HAZARD**  
Failure to follow safety warnings exactly could result in serious injury, death, or property damage.

- Do not store or use gasoline or other flammable vapors and liquids in the vicinity of this or any other appliance.

### - WHAT TO DO IF YOU SMELL GAS

- Do not try to light any appliance.
- Do not touch any electrical switch: do not use any phone in your building. Leave the building immediately.
- Immediately call your gas supplier from a neighbour's phone. Follow the gas supplier's instructions.
- If you cannot reach your gas supplier, call the fire department.

- Installation and service must be performed by a qualified installer, service agency or the gas supplier.

Tested by:



*Installer:* Please complete the details on the back cover and leave this manual with the homeowner.  
*Homeowner:* Please keep these instructions for future reference.

## TO THE NEW OWNER

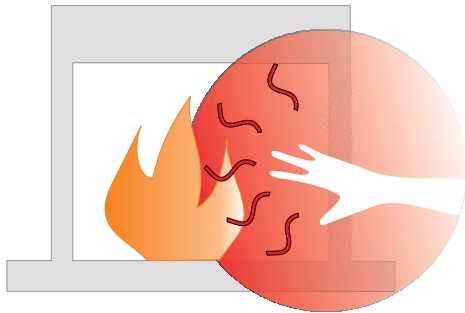
Congratulations! You are the owner of a state-of-the-art Gas Insert by Regency.

The Regency Gas Insert Series of hand crafted appliances has been designed to provide you with all the warmth and charm of a fireplace, at the flick of a switch. The models LRI4E / HRI4E of this series have been approved by Warnock Hersey/Intertek for both safety and efficiency. As it also bears our own mark, it promises to provide you with economy, comfort and security for many trouble free years to follow.

Please take a moment now to acquaint yourself with these instructions and the many features of your Regency Fireplace.



# DANGER



**HOT GLASS WILL  
CAUSE BURNS**

**DO NOT TOUCH GLASS  
UNTIL COOLED**

**NEVER ALLOW CHILDREN  
TO TOUCH GLASS**

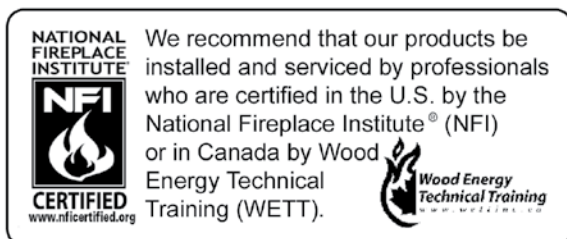
A barrier designed to reduce the risk of burns from the hot viewing glass is provided with this appliance and shall be installed for the protection of children and other at risk individuals.

## CAUTION:

**HOT WHILE IN OPERATION. DO NOT TOUCH.  
SEVERE BURNS MAY RESULT. KEEP CHILDREN, CLOTHING, FURNITURE,  
GASOLINE, AND ANY LIQUIDS WITH FLAMMABLE VAPOURS AWAY.**

**KEEP BURNER AND CONTROL COMPARTMENT CLEAN.  
SEE INSTALLATION AND OPERATING INSTRUCTIONS ACCOMPANYING  
APPLIANCE.**

919-358



*Liberty Gas  
Inserts Benefits*



*Horizon Gas  
Inserts Benefits*



*Horizon HRI4E*

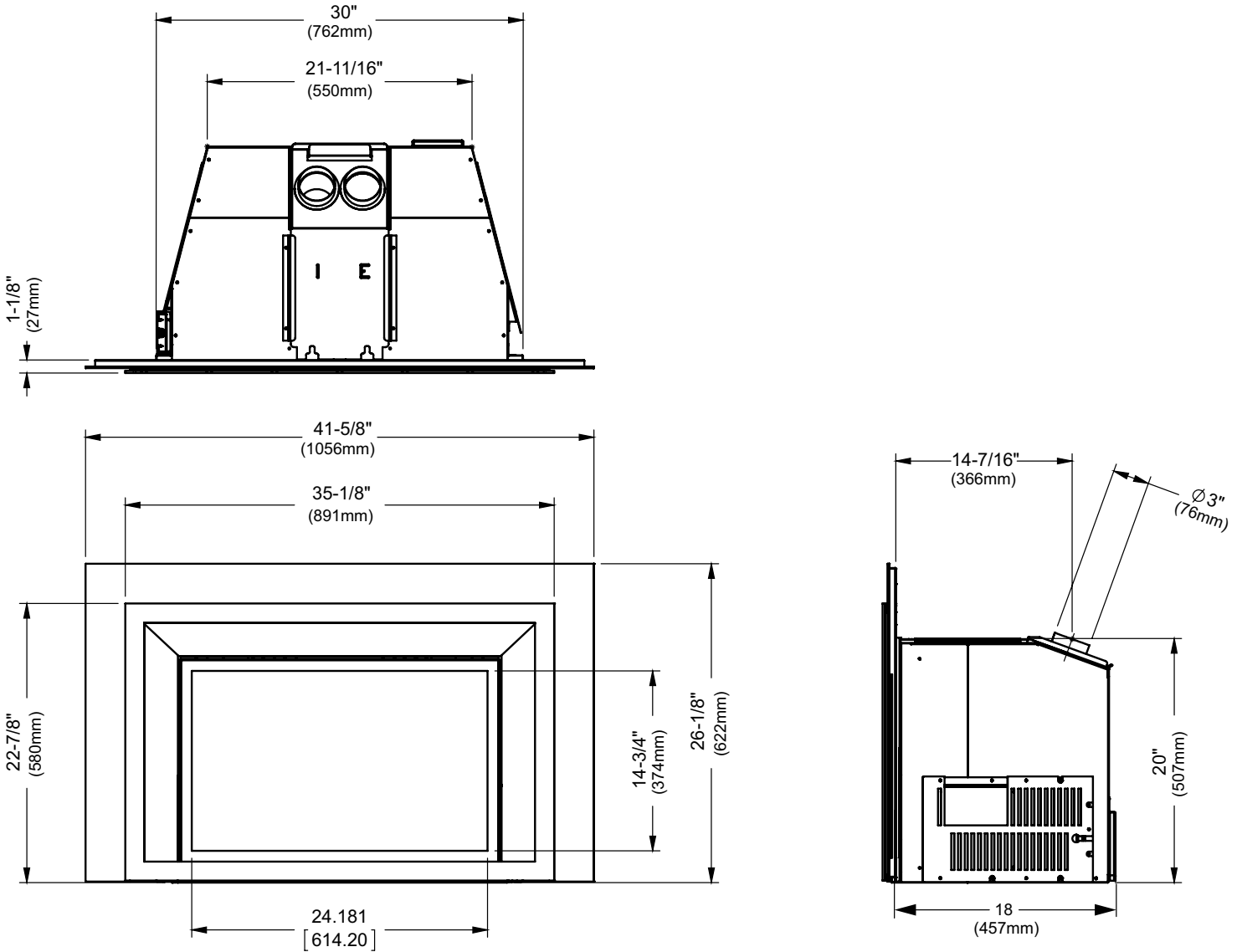


*Liberty LRI4E*

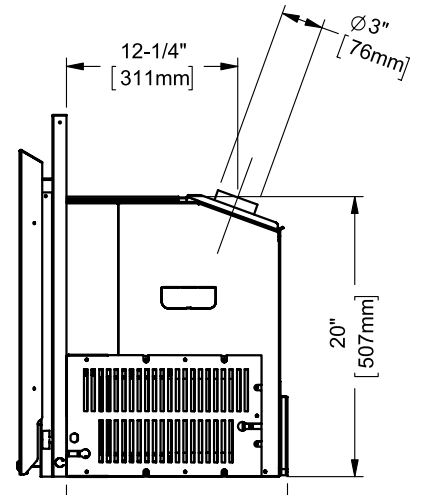
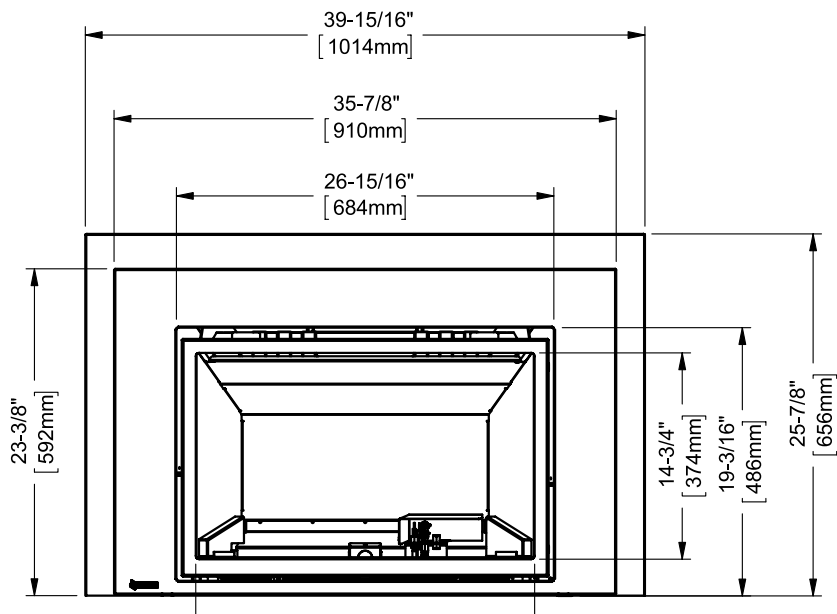
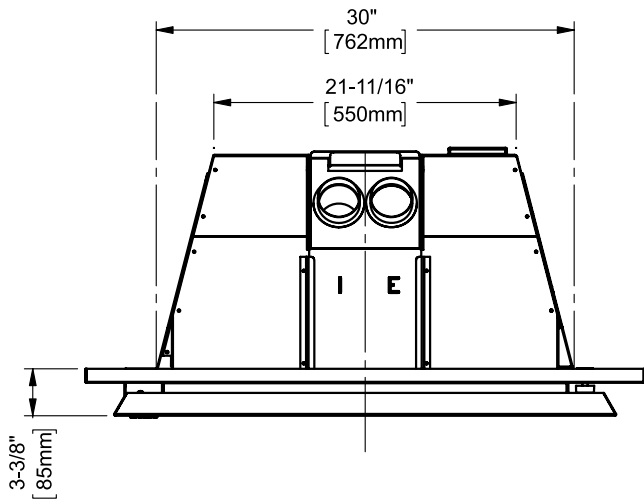
Unit Dimensions With Vignette Faceplate .....	4	HRI4E Optional Log Set Installation .....	25
Unit Dimensions With Low Profile Faceplate.....	5	LRI4E Log Set Installation .....	27
Unit Dimensions With 4 Sided Vignette Faceplate .....	6	Standing Pilot .....	29
Copy of Safety Label .....	7	Heat Exchange Return .....	29
Copy of Safety Label .....	8	Brick Panel Installation .....	30
MA Code - CO Detector.....	9	Enamel Panel Installation .....	31
Important Message .....	10	Glass Door Removal / Installation .....	32
Before You Start .....	10	Vignette Faceplate With Safety Screen Installation.....	33
Important Message .....	11	3 Sided Low Profile Faceplate With	
Save These Instructions .....	11	Safety Screen Installation.....	34
For Your Safety.....	11	4 Sided Faceplate With Safety Screen Installation.....	35
Specifications .....	11	Spacer Installation .....	36
Gas Pressure Testing .....	11	Backing Plate Installation .....	37
Installation Into A Solid Fuel Burning Fireplace Or		Optional Mantel Deflector Installation.....	38
Factory Built Fireplace.....	11	Optional Hearth Trim Installation .....	39
Before You Start .....	11	Operating Instructions .....	41
Installation Checklist.....	12	First Fire .....	41
Materials Required .....	12	Automatic Convection Fan Operation.....	41
Minimum Fireplace Dimensions .....	12	Lighting Procedure .....	42
Minimum Clearances to combustibles.....	13	Shutdown Procedure.....	42
Gas Connection .....	14	Normal Operating Sounds Of Gas Appliances .....	43
Venting.....	14	Copy Of Lighting Instruction Plate .....	43
Flue / Vent Installation .....	15	Maintenance Instructions.....	44
Levelling Leg Adjustment.....	16	Door Glass .....	44
Air Shutter Adjustment.....	17	Pilot Adjustment.....	45
High Elevation .....	18	General Vent Maintenance .....	45
Gas Line Installation.....	18	Log Replacement .....	45
Gas Pipe Pressure Testing .....	18	Glass Gasket.....	45
885 S.I.T. Valve Description.....	18	Glass Crystal Burner Removal / Installation - HRI4E ..	46
Proflame Remote System GTMF With Fan		Glass Burner Removal .....	46
(LRI4E / HRI4E).....	19	Glass Burner Install .....	46
Optional Wall Thermostat Installation .....	20	LRI4E Ceramic Burner Removal / Installation.....	47
Conversion from NG to LP .....	21	Fan Maintenance - With GTMF Remote Control.....	48
Glass Crystal / Ceramic Spa Stone Installation.....	23	Valve Replacement.....	49
Optional PebbleS / GLASS crystal Installation for		Main Assembly .....	51
Firebox Base (around burner) .....	23	Vignette Faceplate.....	53
		Low Profile Faceplate .....	53
		Warranty .....	55

## 4 | dimensions

### UNIT DIMENSIONS WITH VIGNETTE FACEPLATE

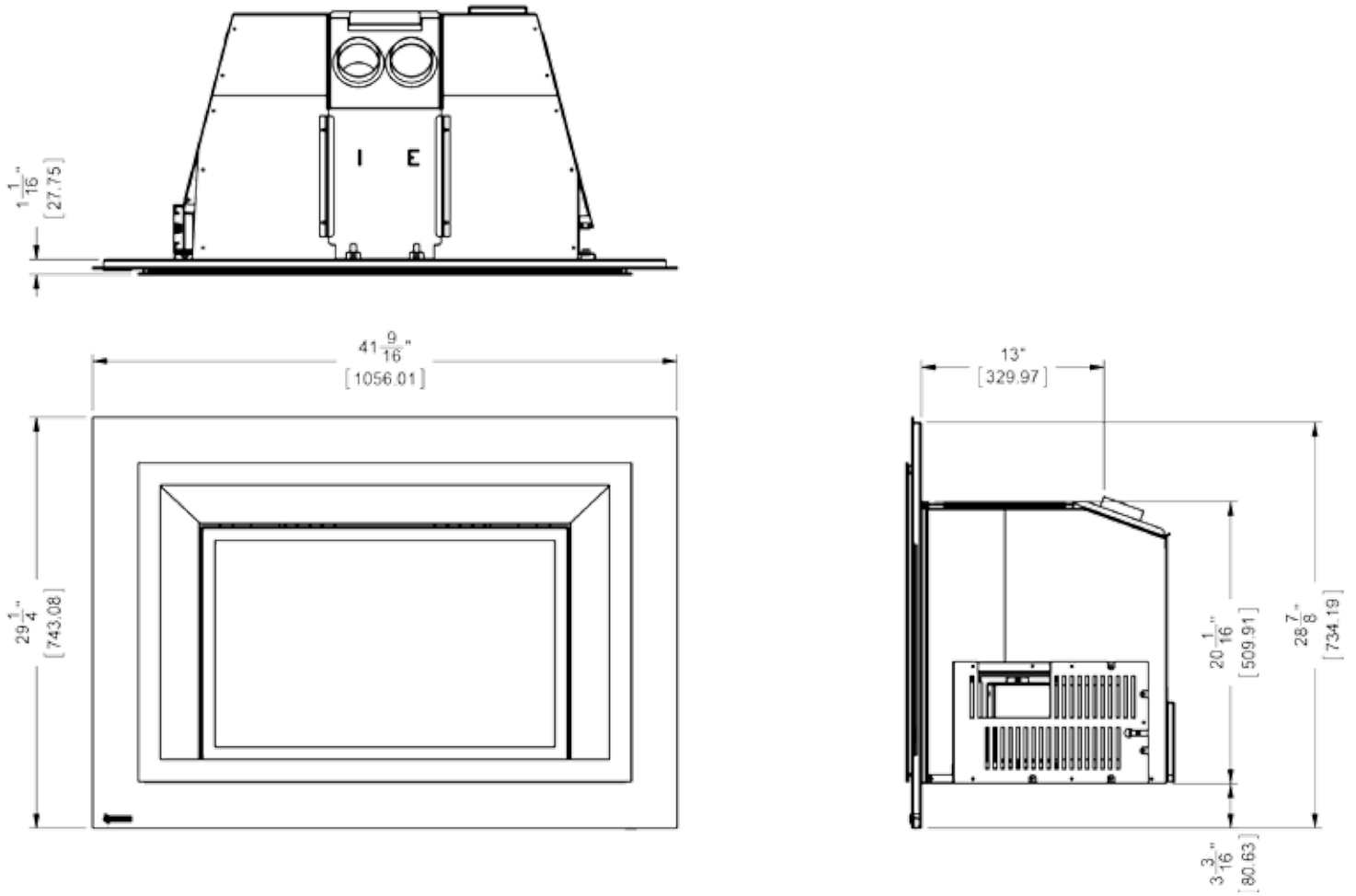


UNIT DIMENSIONS WITH LOW PROFILE FACEPLATE



## 6 | dimensions




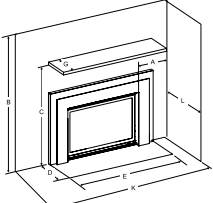

### UNIT DIMENSIONS WITH 4 SIDED VIGNETTE FACEPLATE



**COPY OF SAFETY LABEL**

This is a copy of the labels that accompany each LRI4E Gas Insert. We have printed a copy of the contents here for your review.

**NOTE:** Regency units are constantly being improved. Check the label on the unit and if there is a difference, the label on the unit is the correct one.

Duplicate Serial number		<b>434</b>																																
 <p>Intertek 4001172</p>	<p>Listed: VENTED GAS FIREPLACE HEATER / FOYER AU GAZ À ÉVACUATION                  Certified for/Certifiée pour: CANADA and U.S.A.                  Tested to: CAN/CGA-2.17-M91(R2009)                  Conforms to: ANSI Z21.88-2014                  Certified to: CSA 2.33-2014</p>	<b>434</b>																																
	Serial No. / No de serie																																	
	<p><b>NATURAL GAS FIREPLACE INSERT: MODEL LR14E-NG</b>                  Factory Equipped For Altitude 0-4500ft. (0-1370m)</p> <table border="0"> <tr><td>Min. supply pressure</td><td>5"</td><td>WC</td><td>(1.25 kpa)</td></tr> <tr><td>Low Setting Man. pressure</td><td>1.6"</td><td>WC</td><td>(0.41 kpa)</td></tr> <tr><td>Max. Manifold pressure</td><td>3.5"</td><td>WC</td><td>(0.87 kpa)</td></tr> <tr><td>Orifice size</td><td>#35</td><td>DMS</td><td></td></tr> <tr><td>Minimum input</td><td>22,000</td><td>Btu/h</td><td>(6.45 kW)</td></tr> <tr><td>Maximum input</td><td>31,000</td><td>Btu/h</td><td>(9.09 kW)</td></tr> </table>	Min. supply pressure	5"	WC	(1.25 kpa)	Low Setting Man. pressure	1.6"	WC	(0.41 kpa)	Max. Manifold pressure	3.5"	WC	(0.87 kpa)	Orifice size	#35	DMS		Minimum input	22,000	Btu/h	(6.45 kW)	Maximum input	31,000	Btu/h	(9.09 kW)	<p><b>ÉQUIPÉ A L'UISINE POUR GAZ NATUREL</b>  <b>MODEL LR14E-NG</b></p> <p>Pression d'alimentation minimum                  Pression à la tubulure d'échappement basse                  Pression à la tubulure d'échappement élevée                  Dimensions de l'orifice                  Débit Calorifique minimum                  Débit Calorifique maximum</p>								
Min. supply pressure	5"	WC	(1.25 kpa)																															
Low Setting Man. pressure	1.6"	WC	(0.41 kpa)																															
Max. Manifold pressure	3.5"	WC	(0.87 kpa)																															
Orifice size	#35	DMS																																
Minimum input	22,000	Btu/h	(6.45 kW)																															
Maximum input	31,000	Btu/h	(9.09 kW)																															
	<p><b>PROPANE GAS FIREPLACE INSERT: MODEL LR14E-LP</b>                  Factory Equipped For Altitude 0-4500ft. (0-1370m)</p> <table border="0"> <tr><td>Min. supply pressure</td><td>11"</td><td>WC</td><td>(2.73 kpa)</td></tr> <tr><td>Low Setting Man. pressure</td><td>6.4"</td><td>WC</td><td>(1.59 kpa)</td></tr> <tr><td>Max. Manifold pressure</td><td>10"</td><td>WC</td><td>(2.48 kpa)</td></tr> <tr><td>Orifice size</td><td>#53</td><td>DMS</td><td></td></tr> <tr><td>Minimum input</td><td>26,000</td><td>Btu/h</td><td>(7.62 kW)</td></tr> <tr><td>Maximum input</td><td>31,000</td><td>Btu/h</td><td>(9.09 kW)</td></tr> </table>	Min. supply pressure	11"	WC	(2.73 kpa)	Low Setting Man. pressure	6.4"	WC	(1.59 kpa)	Max. Manifold pressure	10"	WC	(2.48 kpa)	Orifice size	#53	DMS		Minimum input	26,000	Btu/h	(7.62 kW)	Maximum input	31,000	Btu/h	(9.09 kW)	<p><b>ÉQUIPÉ A L'UISINE POUR GAZ PROPANE</b>  <b>MODEL LR14E-LP</b></p> <p>Pression d'alimentation minimum                  Pression à la tubulure d'échappement basse                  Pression à la tubulure d'échappement élevée                  Dimensions de l'orifice                  Débit Calorifique minimum                  Débit Calorifique maximum</p>								
Min. supply pressure	11"	WC	(2.73 kpa)																															
Low Setting Man. pressure	6.4"	WC	(1.59 kpa)																															
Max. Manifold pressure	10"	WC	(2.48 kpa)																															
Orifice size	#53	DMS																																
Minimum input	26,000	Btu/h	(7.62 kW)																															
Maximum input	31,000	Btu/h	(9.09 kW)																															
<p><b>Minimum Clearances to Combustibles from Insert</b></p> <table border="0"> <tr><td>Side wall</td><td>A</td><td>6"</td><td>(152mm)</td></tr> <tr><td>Ceiling</td><td>B</td><td>60"</td><td>(1524mm)</td></tr> <tr><td>Mantel</td><td>C</td><td>35"</td><td>(889mm)</td></tr> <tr><td>Min. Alcove Width</td><td>K</td><td>54"</td><td>(1372mm)</td></tr> <tr><td>Max. Alcove Depth</td><td>L</td><td>36"</td><td>(914mm)</td></tr> </table>	Side wall	A	6"	(152mm)	Ceiling	B	60"	(1524mm)	Mantel	C	35"	(889mm)	Min. Alcove Width	K	54"	(1372mm)	Max. Alcove Depth	L	36"	(914mm)		<p><b>Mantel Clearances</b></p> <table border="0"> <tr><td>Min. Hearth Width</td><td>D</td><td>14"</td><td>(356mm)</td></tr> <tr><td>Min. Hearth Length</td><td>E</td><td>40"</td><td>(1016mm)</td></tr> <tr><td>Max. Mantle Depth</td><td>G</td><td>12"</td><td>(305mm)</td></tr> </table>	Min. Hearth Width	D	14"	(356mm)	Min. Hearth Length	E	40"	(1016mm)	Max. Mantle Depth	G	12"	(305mm)
Side wall	A	6"	(152mm)																															
Ceiling	B	60"	(1524mm)																															
Mantel	C	35"	(889mm)																															
Min. Alcove Width	K	54"	(1372mm)																															
Max. Alcove Depth	L	36"	(914mm)																															
Min. Hearth Width	D	14"	(356mm)																															
Min. Hearth Length	E	40"	(1016mm)																															
Max. Mantle Depth	G	12"	(305mm)																															
 <p><b>Regency Fireplace Products</b> Delta BC, CANADA</p>																																		
<p><b>MADE IN CANADA / FABRIQUE AU CANADA</b></p>																																		
<p>This appliance must be installed in accordance with local codes, if any; if none, follow the National Fuel Gas Code, ANSI Z223.1, or Natural Gas and Propane Installation Code, CSA B149.1.                  This appliance is only for use with the type of gas indicated on the rating plate.                  This appliance is not convertible for use with other gases unless a certified kit is used.                  This appliance is only for use with the type of gas indicated on the rating plate and may be installed in an aftermarket, permanently located, manufactured (mobile) home where not prohibited by local codes. See owner's manual for details  <b>WARNING.</b> This fireplace has been converted for use with a gas fireplace insert only and cannot be used for burning wood or solid fuels unless all original parts have been replaced, and the fireplace re-approved by the authority having jurisdiction.                  Installer l'appareil selon les codes ou règlements locaux, ou, en l'absence de tels règlements, selon les codes d'installation ANSI Z223.1, National Fuel Gas Code ou CSA-B149.1 en vigueur.                  Cet appareil doit être utilisé uniquement avec le type de gaz indiqué sur la plaque signalétique. Cet appareil peut être installé dans une maison préfabriquée ou mobile (E.-U. seulement) installée à demeure si les règlements locaux le permettent. Voir la notice de l'utilisateur pour plus de renseignements.                  Cet appareil ne peut pas être utilisé avec d'autres gaz sauf si une trousse de conversion certifiée est fournie.                  Cet appareil n'est pas convertible pour une utilisation avec d'autres gaz, sauf si un kit certifié est utilisé.                  Cet appareil doit être utilisé uniquement avec le type de gaz indiqué sur la plaque signalétique. Cet appareil peut être installé dans une maison préfabriquée ou mobile (E.-U. seulement) installée à demeure si les règlements locaux le permettent. Voir la notice de l'utilisateur pour plus de renseignements.  <b>AVERTISSEMENT :</b> Ce foyer a été converti pour utilisation avec un foyer au gaz encastrable et ne peut être utilisé pour brûler du bois ou d'autres combustibles solides à moins que toutes les pièces d'origine aient été remplacées et que le foyer ait été approuvé de nouveau par l'autorité compétente.  <b>This vented gas fireplace heater is not for use with air filters.</b> <b>Ne pas utiliser de filtre à air avec ce foyer au gaz à évacuation.</b>                  For use with glass doors certified with the appliance only. <b>Pour utilisation uniquement avec les portes en verre certifiées avec l'appareil.</b>                  For use only with barrier (Part # 399-100) Follow installation instructions. <b>Pour utilisation seulement avec la Partie de barrière No. (399-100) Suivez les instructions d'installation.</b></p>																																		
<p>Electrical supply / Électrique 115VAC, 2.5 A, 60Hz, Less than 10A Fan Part # 911-071  <b>VENTED GAS FIREPLACE HEATER - NOT FOR USE WITH SOLID FUELS. / FOYER AU GAZ À ÉVACUATION - NE PAS UTILISER AVEC DUCOMBUSTIBLE SOLIDE.</b></p>																																		
919-381																																		

For the State of Massachusetts, installation and repair must be done by a plumber or gasfitter licensed in the Commonwealth of Massachusetts.

For the State of Massachusetts, flexible connectors shall not exceed 36 inches in length.

For the State of Massachusetts, the appliances individual manual shut-off must be a t-handle type valve.




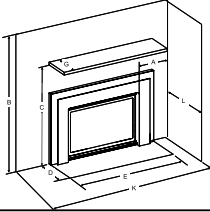

The State of Massachusetts requires the installation of a carbon monoxide alarm in accordance with NFPA 720 and a CO alarm with battery back up in the same room where the gas appliance is installed.



**COPY OF SAFETY LABEL**

This is a copy of the labels that accompany each HRI4E Gas Insert. We have printed a copy of the contents here for your review.

**NOTE:** Regency units are constantly being improved. Check the label on the unit and if there is a difference, the label on the unit is the correct one.

Duplicate Serial number		<b>435</b>																																
	Listed: VENTED GAS FIREPLACE HEATER / FOYER AU GAZ À ÉVACUATION Certified for/Certifiée pour: CANADA and U.S.A. Tested to: CAN/CGA-2.17-M91(R2009) Conforms to: ANSI Z21.88-2014 Certified to: CSA 2.33-2014	<b>DO NOT REMOVE THIS LABEL / NE PAS ENLEVER CETTE ÉTIQUETTE</b>  <b>435</b>  Serial No. / No de serie																																
 Model/Modèle: HRI4E-NG	<b>NATURAL GAS FIREPLACE INSERT: MODEL HRI4E-NG</b> <b>Factory Equipped For Altitude 0-4500ft. (0-1370m)</b> Min. supply pressure 5" WC (1.25 kpa) Low Setting Man. pressure 1.6" WC (0.41 kpa) Max. Manifold pressure 3.5" WC (0.87 kpa) Orifice size #35 DMS Minimum input 22,000 Btu/h (6.45 kW) Maximum input 31,000 Btu/h (9.09 kW)	<b>ÉQUIPÉ A L'USINE POUR GAZ NATURAL MODEL HRI4E- NG</b> Pression d'alimentation minimum Pression à la tubulure d'échappement basse Pression à la tubulure d'échappement élevée Dimensions de l'orifice Débit Calorifique minimum Débit Calorifique maximum																																
 Model/Modèle: HRI4E-LP	<b>PROPANE GAS FIREPLACE INSERT: MODEL HRI4E-LP</b> <b>Factory Equipped For Altitude 0-4500ft. (0-1370m)</b> Min. supply pressure 11" WC (2.73 kpa) Low Setting Man. pressure 6.4" WC (1.59 kpa) Max. Manifold pressure 10" WC (2.48 kpa) Orifice size #53 DMS Minimum input 26,000 Btu/h (7.62 kW) Maximum input 31,000 Btu/h (9.09 kW)	<b>ÉQUIPÉ A L'USINE POUR GAZ PROPANE MODEL HRI4E- LP</b> Pression d'alimentation minimum Pression à la tubulure d'échappement basse Pression à la tubulure d'échappement élevée Dimensions de l'orifice Débit Calorifique minimum Débit Calorifique maximum																																
<b>Minimum Clearances to Combustibles from Insert</b> <table border="0" style="width: 100%;"> <tr><td>Side wall</td><td>A</td><td>6"</td><td>(152mm)</td></tr> <tr><td>Ceiling</td><td>B</td><td>60"</td><td>(1524mm)</td></tr> <tr><td>Mantel</td><td>C</td><td>35"</td><td>(889mm)</td></tr> <tr><td>Min. Alcove Width</td><td>K</td><td>54"</td><td>(1372mm)</td></tr> <tr><td>Max. Alcove Depth</td><td>L</td><td>36"</td><td>(914mm)</td></tr> </table>	Side wall	A	6"	(152mm)	Ceiling	B	60"	(1524mm)	Mantel	C	35"	(889mm)	Min. Alcove Width	K	54"	(1372mm)	Max. Alcove Depth	L	36"	(914mm)		<b>Mantel Clearances</b> <table border="0" style="width: 100%;"> <tr><td>Min. Hearth Width</td><td>D</td><td>14"</td><td>(356mm)</td></tr> <tr><td>Min. Hearth Length</td><td>E</td><td>40"</td><td>(1016mm)</td></tr> <tr><td>Max. Mantle Depth</td><td>G</td><td>12"</td><td>(305mm)</td></tr> </table>	Min. Hearth Width	D	14"	(356mm)	Min. Hearth Length	E	40"	(1016mm)	Max. Mantle Depth	G	12"	(305mm)
Side wall	A	6"	(152mm)																															
Ceiling	B	60"	(1524mm)																															
Mantel	C	35"	(889mm)																															
Min. Alcove Width	K	54"	(1372mm)																															
Max. Alcove Depth	L	36"	(914mm)																															
Min. Hearth Width	D	14"	(356mm)																															
Min. Hearth Length	E	40"	(1016mm)																															
Max. Mantle Depth	G	12"	(305mm)																															
 Regency Fireplace Products, Delta BC, CANADA																																		
This appliance must be installed in accordance with local codes, if any; if none, follow the National Fuel Gas Code, ANSI Z223.1, or Natural Gas and Propane Installation Code, CSA B149.1. This appliance is only for use with the type of gas indicated on the rating plate. This appliance is not convertible for use with other gases unless a certified kit is used. This appliance is only for use with the type of gas indicated on the rating plate and may be installed in an aftermarket, permanently located, manufactured (mobile) home where not prohibited by local codes. See owner's manual for details. WARNING: This fireplace has been converted for use with a gas fireplace insert only and cannot be used for burning wood or solid fuels unless all original parts have been replaced, and the fireplace re-approved by the authority having jurisdiction. Installer l'appareil selon les codes ou règlements locaux, ou, en l'absence de tels règlements, selon les codes d'installation ANSI Z223.1, National Fuel Gas Code ou CSA-B149.1 en vigueur. Cet appareil doit être utilisé uniquement avec le type de gaz indiqué sur la plaque signalétique. Cet appareil peut être installé dans une maison préfabriquée ou mobile (É.-U. seulement) installée à demeure si les règlements locaux le permettent. Voir la notice de l'utilisateur pour plus de renseignements. Cet appareil ne peut pas être utilisé avec d'autres gaz sauf si une trousse de conversion certifiée est fournie. Cet appareil n'est pas convertible pour une utilisation avec d'autres gaz, sauf si un kit certifié est utilisé. Cet appareil doit être utilisé uniquement avec le type de gaz indiqué sur la plaque signalétique. Cet appareil peut être installé dans une maison préfabriquée ou mobile (É.-U. seulement) installée à demeure si les règlements locaux le permettent. Voir la notice de l'utilisateur pour plus de renseignements. AVERTISSEMENT : Ce foyer a été converti pour utilisation avec un foyer au gaz encastrable et ne peut être utilisé pour brûler du bois ou d'autres combustibles solides à moins que toutes les pièces d'origine aient été remplacées et que le foyer ait été approuvé de nouveau par l'autorité compétente. This vented gas fireplace heater is not for use with air filters. <b>Ne pas utiliser de filtre à air avec ce foyer au gaz à évacuation.</b> For use with glass doors certified with the appliance only. <b>Pour utilisation uniquement avec les portes en verre certifiées avec l'appareil.</b> For use only with barrier (Part# 399-100) Follow installation instructions. <b>Pour l'utilisation seulement avec la Partie de barrière No. (399-100) Suivez les instructions d'installation.</b> Electrical supply / Électrique 115VAC, 2.5 A, 60Hz, Less than 10A Fan Part # 911-071 <b>VENTED GAS FIREPLACE HEATER - NOT FOR USE WITH SOLID FUELS. / FOYER AU GAZ À ÉVACUATION - NE PAS UTILISER AVEC DU COMBUSTIBLE SOLIDE.</b>																																		
919-384																																		

For the State of Massachusetts, installation and repair must be done by a plumber or gasfitter licensed in the Commonwealth of Massachusetts.

For the State of Massachusetts, flexible connectors shall not exceed 36 inches in length.

For the State of Massachusetts, the appliances individual manual shut-off must be a t-handle type valve.

The State of Massachusetts requires the installation of a carbon monoxide alarm in accordance with NFPA 720 and a CO alarm with battery back up in the same room where the gas appliance is installed.

## MA Code - CO Detector (for the State of Massachusetts only)

### 5.08: Modifications to NFPA-54, Chapter 10

(2) Revise 10.8.3 by adding the following additional requirements:

(a) For all side wall horizontally vented gas fueled equipment installed in every dwelling, building or structure used in whole or in part for residential purposes, including those owned or operated by the Commonwealth and where the side wall exhaust vent termination is less than seven (7) feet above finished grade in the area of the venting, including but not limited to decks and porches, the following requirements shall be satisfied:

1. **INSTALLATION OF CARBON MONOXIDE DETECTORS.** At the time of installation of the side wall horizontal vented gas fueled equipment, the installing plumber or gasfitter shall observe that a hard wired carbon monoxide detector with an alarm and battery back-up is installed on the floor level where the gas equipment is to be installed. In addition, the installing plumber or gasfitter shall observe that a battery operated or hard wired carbon monoxide detector with an alarm is installed on each additional level of the dwelling, building or structure served by the side wall horizontal vented gas fueled equipment. It shall be the responsibility of the property owner to secure the services of qualified licensed professionals for the installation of hard wired carbon monoxide detectors

a. In the event that the side wall horizontally vented gas fueled equipment is installed in a crawl space or an attic, the hard wired carbon monoxide detector with alarm and battery back-up may be installed on the next adjacent floor level.

b. In the event that the requirements of this subdivision can not be met at the time of completion of installation, the owner shall have a period of thirty (30) days to comply with the above requirements; provided, however, that during said thirty (30) day period, a battery operated carbon monoxide detector with an alarm shall be installed.

2. **APPROVED CARBON MONOXIDE DETECTORS.** Each carbon monoxide detector as required in accordance with the above provisions shall comply with NFPA 720 and be ANSI/UL 2034 listed and IAS certified.

3. **SIGNAGE.** A metal or plastic identification plate shall be permanently mounted to the exterior of the building at a minimum height of eight (8) feet above grade directly in line with the exhaust vent terminal for the horizontally vented gas fueled heating appliance or equipment. The sign shall read, in print size no less than one-half (1/2) inch in size, "**GAS VENT DIRECTLY BELOW. KEEP CLEAR OF ALL OBSTRUCTIONS**".

4. **INSPECTION.** The state or local gas inspector of the side wall horizontally vented gas fueled equipment shall not approve the installation unless, upon inspection, the inspector observes carbon monoxide detectors and signage installed in accordance with the provisions of 248 CMR 5.08(2)(a)1 through 4.

(b) **EXEMPTIONS:** The following equipment is exempt from 248 CMR 5.08(2)(a)1 through 4:

1. The equipment listed in Chapter 10 entitled "Equipment Not Required To Be Vented" in the most current edition of NFPA 54 as adopted by the Board; and

2. Product Approved side wall horizontally vented gas fueled equipment installed in a room or structure separate from the dwelling, building or structure used in whole or in part for residential purposes.

(c) **MANUFACTURER REQUIREMENTS - GAS EQUIPMENT VENTING SYSTEM PROVIDED.** When the manufacturer of Product Approved side wall horizontally vented gas equipment provides a venting system design or venting system components with the equipment, the instructions provided by the manufacturer for installation of the equipment and the venting system shall include:

1. Detailed instructions for the installation of the venting system design or the venting system components; and

2. A complete parts list for the venting system design or venting system.

(d) **MANUFACTURER REQUIREMENTS - GAS EQUIPMENT VENTING SYSTEM NOT PROVIDED.** When the manufacturer of a Product Approved side wall horizontally vented gas fueled equipment does not provide the parts for venting the flue gases, but identifies "special venting systems", the following requirements shall be satisfied by the manufacturer:

1. The referenced "special venting system" instructions shall be included with the appliance or equipment installation instructions; and

2. The "special venting systems" shall be Product Approved by the Board, and the instructions for that system shall include a parts list and detailed installation instructions.

(e) A copy of all installation instructions for all Product Approved side wall horizontally vented gas fueled equipment, all venting instructions, all parts lists for venting instructions, and/or all venting design instructions shall remain with the appliance or equipment at the completion of the installation.

**IMPORTANT MESSAGE  
SAVE THESE  
INSTRUCTIONS**

The LRI4E / HRI4E Gas Inserts must be installed in accordance with these instructions. Carefully read all the instructions in this manual first. Consult the "authority having jurisdiction" to determine the need for a permit prior to starting the installation. It is the responsibility of the installer to ensure this fireplace is installed in compliance with manufacturers instructions and all applicable codes.

**BEFORE YOU START**

Safe installation and operation of this appliance requires common sense, however, we are required by the Canadian Safety Standards and ANSI Standards to make you aware of the following:

**INSTALLATION AND REPAIR SHOULD BE DONE BY AN AUTHORIZED SERVICE PERSON. THE APPLIANCE SHOULD BE INSPECTED BEFORE USE AND AT LEAST ANNUALLY BY A PROFESSIONAL SERVICE PERSON. MORE FREQUENT CLEANING MAY BE REQUIRED DUE TO EXCESSIVE LINT FROM CARPETING, BEDDING MATERIAL, ETC. IT IS IMPERATIVE THAT CONTROL COMPARTMENTS, BURNERS AND CIRCULATING AIR PASSAGEWAYS OF THE APPLIANCE BE KEPT CLEAN.**

**DUE TO HIGH TEMPERATURES, THE APPLIANCE SHOULD BE LOCATED OUT OF TRAFFIC AND AWAY FROM FURNITURE AND DRAPERIES.**

**WARNING: FAILURE TO INSTALL THIS APPLIANCE CORRECTLY WILL VOID YOUR WARRANTY AND MAY CAUSE A SERIOUS HOUSE FIRE.**

**CHILDREN AND ADULTS SHOULD BE ALERTED TO THE HAZARDS OF HIGH SURFACE TEMPERATURES, ESPECIALLY THE FIREPLACE GLASS, AND SHOULD STAY AWAY TO AVOID BURNS OR CLOTHING IGNITION.**

**YOUNG CHILDREN SHOULD BE CAREFULLY SUPERVISED WHEN THEY ARE IN THE SAME AREA AS THE APPLIANCE. TODDLERS, YOUNG CHILDREN AND OTHERS MAY BE SUSCEPTIBLE TO ACCIDENTAL CONTACT BURNS. A PHYSICAL BARRIER IS RECOMMENDED IF THERE ARE AT RISK INDIVIDUALS IN THE HOUSE. TO RESTRICT ACCESS TO A FIREPLACE OR STOVE, INSTALL AN ADJUSTABLE SAFETY GATE TO KEEP TODDLERS, YOUNG CHILDREN AND OTHER AT RISK INDIVIDUALS OUT OF THE ROOM AND AWAY FROM HOT SURFACES.**

**CLOTHING OR OTHER FLAMMABLE MATERIAL SHOULD NOT BE PLACED ON OR NEAR THE APPLIANCE.**

**A BARRIER DESIGNED TO REDUCE THE RISK OF BURNS FROM THE HOT VIEWING GLASS IS PROVIDED WITH THIS APPLIANCE AND SHALL BE INSTALLED FOR THE PROTECTION OF CHILDREN AND OTHER AT-RISK INDIVIDUALS**

**IF THE BARRIER BECOMES DAMAGED, THE BARRIER SHALL BE REPLACED WITH THE MANUFACTURER'S BARRIER FOR THIS APPLIANCE.**

**ANY SAFETY SCREEN, GUARD, OR BARRIER REMOVED FOR SERVICING AN APPLIANCE MUST BE REPLACED PRIOR TO OPERATING THE APPLIANCE.**



## IMPORTANT MESSAGE SAVE THESE INSTRUCTIONS

The Regency Gas Insert must be installed in accordance with these instructions. Carefully read all the instructions in this manual first. Consult the building authority having jurisdiction to determine the need for a permit prior to starting the installation.

**NOTE:** Failure to follow the instructions could cause a malfunction of the heater which could result in death, serious bodily injury, and/or property damage. Failure to follow these instructions may also void your fire insurance and/or warranty.

## FOR YOUR SAFETY

This appliance requires air for proper combustion. Always provide adequate combustion and ventilation air. Follow instructions and information in CAN/CGA B149 (in Canada) or the National Fuel Gas Code ANSI Z223.1 (in the USA), regarding requirements for combustion and ventilation air.

## SPECIFICATIONS

At pressures over 1/2 psig, the pipe to the unit must be disconnected.

### Gas Input Capacity:

Natural Gas	31,000	Btu/h
Propane	31,000	Btu/h

### Min. Input

#### (with Proflame GTM or GTMF remote)

Natural Gas	22,000	Btu/h
Propane	26,000	Btu/h

**Fuels:** Approved for use with both natural gas, and propane. Approved as is for use at 0' to 4,500' (0-1370m).

**Electrical:** 120V A.C. system.

**Circulation Fan:** Variable speed, 140 CFM.

**Log Set:** Ceramic fibre, 7 per set - LRI4E

**Glass Crystals:** 7lbs of glass crystals - HRI4E

**Optional Log Set:** Ceramic fibre, 6 per set + 5lbs of glass crystals - HRI4E

**Vent System:** 3" co-linear aluminum flex.

The efficiency rating of the appliance is a product thermal efficiency rating determined under continuous operating conditions and was determined independent of any installed system.

## GAS PRESSURE TESTING

The appliance must be isolated from the gas supply piping system by closing its individual manual shut off valve during any pressure testing of the gas supply piping system at test pressures equal to or less than 1/2 psig. (3.45 kPa).

## INSTALLATION INTO A SOLID FUEL BURNING FIREPLACE OR FACTORY BUILT FIREPLACE

The LRI4E / HRI4E Gas Inserts have been tested and approved to be vented into any masonry fireplace or approved solid fuel burning factory built fireplace that will allow the insert to physically fit into the firebox. Refer to "Minimum Fireplace Dimensions" section for minimum fireplace clearances.

If the factory built fireplace\* height is too low for your Insert, you may remove the smoke baffle plate, damper, refractory (firebricks), glass doors, screen rails, screen mesh and log grates from the factory built fireplace as long as these items are saved and are reinstalled in the event that the Insert is removed.

Smoke shelves, shields and baffles may be removed if attached by mechanical fasteners. If any part is removed it must not weaken the structural integrity of the factory built fireplace.

**NOTE:** Any alterations made to the listed solid fuel burning factory built fireplace may void the listing of the fireplace.

\*Check with your local inspector before commencing with this installation.

Installer must mechanically attach the supplied label to the inside of the firebox of the fireplace into which the gas fireplace insert is installed.

**"WARNING:** This fireplace has been converted for use with a gas fireplace insert only and cannot be used for burning wood or solid fuels unless all original parts have been replaced, and the fireplace re-approved by the authority having jurisdiction."

## BEFORE YOU START

Safe installation and operation of this appliance requires common sense, however, we are required by the Canadian Safety Standards and ANSI Standards to make you aware of the following:

## General Safety Information

- 1) The appliance installation must conform with local codes or in the absence of local codes, with CAN/CGA B149 (in Canada) or the National Fuel Gas Code ANSI Z223.1 in the U.S.A. This appliance should be installed by a qualified gas fitter technician only.
- 2) **Installation and repair should be done by a qualified service person.**
- 3) The appliance should be inspected before use and at least annually by a professional service person. More frequent cleaning may be required due to excessive lint from carpeting, bedding material, animal hair, etc. It is imperative that control compartments, burners and circulating air passageways of the appliance be kept clean.
- 4) See general construction and assembly instructions. This appliance may only be installed in a vented, noncombustible fireplace.
- 5) This appliance is Listed for bedroom installations when used with a Listed Millivolt Thermostat. Some areas may have further requirements, check local codes before installation.
- 6) Always connect this insert to a vent system venting to the outside of the building envelope. Never vent to another room or inside a building. Make sure that the vent is properly sized and is of adequate height to provide the proper draft.
- 7) Inspect the venting system annually for blockage and any signs of deterioration.
- 8) Any glass removed for servicing must be replaced prior to operating the appliance.
- 9) To prevent injury, do not allow anyone who is unfamiliar with the operation to use the fireplace.
- 10) This appliance cannot be operated without brick or enamel panels in place.
- 11) Due to high temperatures, the appliance should be located out of high traffic areas and away from furniture and draperies. Children and adults should be alerted to the hazards of high surface temperatures, especially the fireplace glass and gold trims, and should stay away to avoid burns or clothing ignition. Young children should be carefully supervised when they are in the same room as the appliance. Clothing or other flammable material should not be placed on or near the appliance.

Emissions from burning wood or gas could contain chemicals known to the State of California to cause cancer, birth defects or other reproductive harm.

## INSTALLATION CHECKLIST

Before installing vent system ensure that the damper plate is open and secure to prevent the damper plate from falling down and crushing the liner.

The Regency Gas Insert is installed as listed.

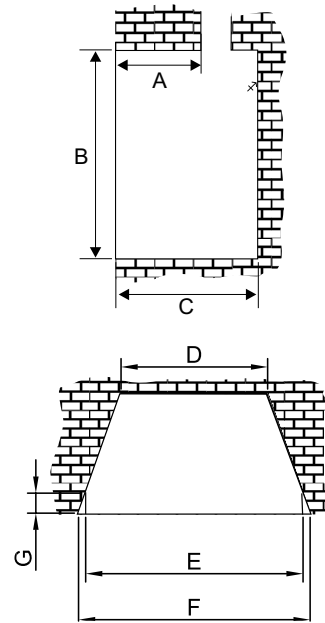
- 1) Check all clearances to combustibles, (Refer to sections "Minimum Fireplace Dimensions and Clearances to Combustibles)
- 2) Make the gas connection. (Refer to section "Gas Connection")
- 3) Install the two 3" flue liners (intake and exhaust) to the sliding connector plate. (Refer to section "Flue Liner Installation.")
- 4) Slide the unit half way into the fireplace.
- 5) Pull the vent connector plate through the tapered brackets and fasten to the front plate. Refer to section "Flue Liner Installation.")
- 6) Slide the unit fully into the fireplace. Level if necessary.
- 7) Hook up 120 volt AC power cord into a suitable receptacle. Optional: Install 4 batteries in receiver. Batteries only serve as back up if power is lost within the home.
- 8) Test gas pressure (Refer to section "Gas Pipe Pressure Testing"). Check aeration system (Refer to section "Gas Insert Aeration System").
- 9) Install standard and optional features. Refer to the following sections:
  - a. Brick Panels or Enamel Panels (must be installed)
  - b. Log Set
  - c. Glass Crystals
  - d. Spa stones
  - e. Standard Faceplate
  - f. Low Profile Faceplate
  - g. 4 sided faceplate.
- 10) **Final check:** Before leaving this unit with the customer, the installer must ensure that the appliance is firing correctly. This includes:
  - a) Clocking the appliance to ensure the correct firing rate.
  - b) Adjusting the primary air, if required, to ensure that the flame does not carbon. See "Gas Insert Aeration System" section.
  - c) Ensuring that the appliance is venting correctly.

## MATERIALS REQUIRED

A 120 Volt AC power cord is hooked up to operate the fan and operate the gas valve when batteries are not installed in the receiver. Plug the 3 wire cord into a suitable receptacle. **Do not cut the ground terminal off under any circumstances.** When connected with 120 volts, the appliance must be electrically grounded in accordance with local codes, current version of CSA C22.1 (in Canada) or in the absence of local codes, with the National Electrical Code ANSI/NFPA 70-1987.

## MINIMUM FIREPLACE DIMENSIONS

The minimum fireplace clearances & dimensions for the Regency gas insert are shown in the following diagrams:



	Max Lintel Bar Depth A	Height B	Depth C	Width (rear) D	Width (front) E	Width F	Front Depth To Taper G
Low Profile Faceplate	10"	20"	15.75"	22"	30"	31-1/4"	2-1/8"
Vignette Faceplate	12.25"	20"	18"	22"	30"	35-5/8"	4-3/8"
Vignette Faceplate w/Spacer	10"	20"	15.75"	22"	30"	31-1/4"	2-1/8"

## MINIMUM CLEARANCES TO COMBUSTIBLES

The clearances listed below are Minimum distances unless otherwise stated:

A major cause of fires is failure to maintain required clearances (air space) to combustible materials. It is of the greatest importance that this decorative gas appliance be installed only in accordance with these instructions.

Clearance:	Dimension	Measured From:
A: Sides	6" / 152 mm	From inside edge of faceplate / doors
B: Ceiling	60" / 1524 mm	From Base of Unit
C: Mantel (Min. Height)	*32" / 813mm 35" / 889mm	From Base of Unit From Base of Unit
D: Min. Hearth Depth	14" / 356mm	
E: Min. Hearth Length	40" / 1016mm	
G: Max. Mantle Depth	0 -12" / 305 mm	@ 44" (1118mm) from bottom of unit
K: Min. Alcove Width	54" / 1372 mm	
L: Max. Alcove Depth	36" / 914 mm	
M: Mantel Deflector	3-1/2" / 89mm	

NOTE: 40" (1016MM) wide x 14" (356mm) deep hearth is required, unless the unit is raised 6" (152.4 mm) off the floor surface.

\*An optional 3-1/2" deflector, reduces the mantel height to 32" from bottom of unit @ 1" depth.

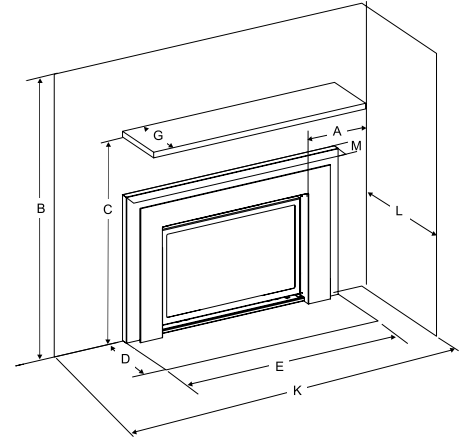


Diagram 1

### MANTEL CLEARANCES WITHOUT DEFLECTOR

### MANTEL CLEARANCES WITH 3-1/2" DEFLECTOR

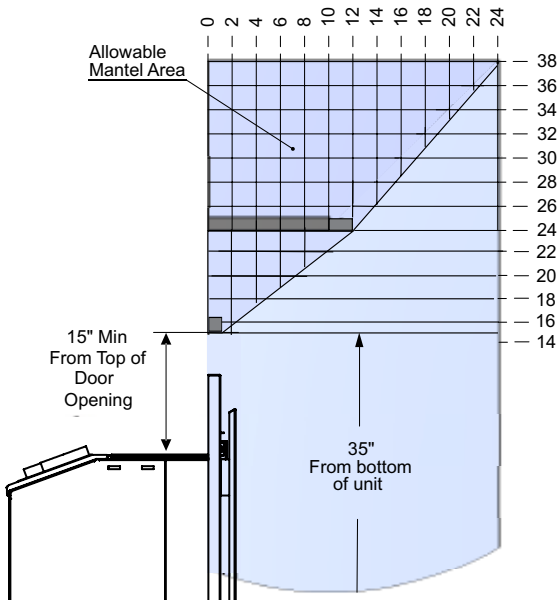


Diagram 2

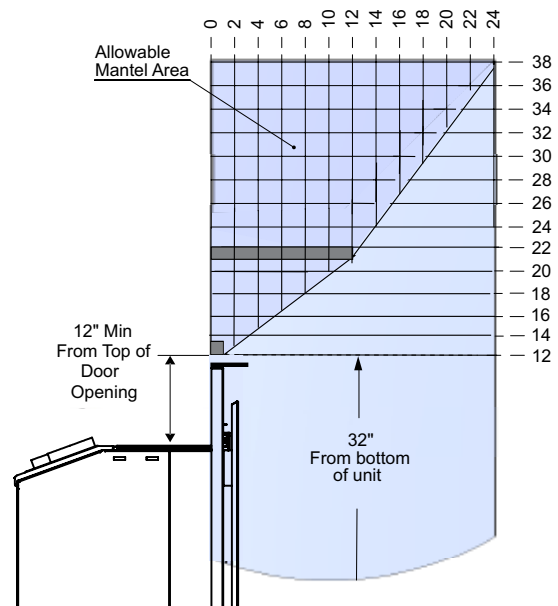


Diagram 3

### WARNING

Although this appliance passes safety certification, the hearth in front of the fireplace becomes very hot when the fireplace heats. Do not use the hearth as a seat or shelf.

Note: A 3-1/2" mantel deflector to reduce mantel height to 32" from bottom of unit @ 1" depth.

A noncombustible mantel may be installed at a lower height if the framing is made of metal studs covered with a noncombustible board.

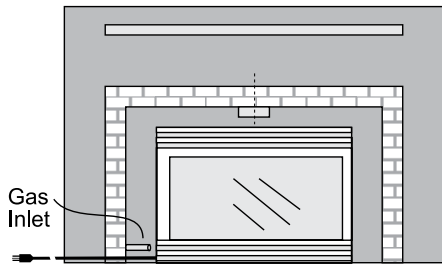
Note: All material used must be completely non-combustible.



**GAS CONNECTION**

**GAS CONNECTION WARNING:**  
**Only persons licensed to work with gas piping may make the necessary gas connections to this appliance.**

- 1) If the appliance is to be installed into an existing chimney system, thoroughly clean the masonry or factory built fireplace.
- 2) The appliance is provided with an opening on the left hand side of the control compartment. A 3/8" NPT gas supply pipe must be brought near this inlet hole.
- 3) Locate the center point where the vent will pass through the chimney above the appliance. Move the appliance into the exact location where it is to be installed. Ensure that the Insert is level.
- 4) Do not cut any sheet-metal parts of the fireplace, in which the gas fireplace insert is to be installed.
- 5) If the factory-built fireplace has no gas access hole(s) provided, an access hole of 1-1/2" (37.5mm) or less may be drilled through the lower sides or bottom of the firebox in a proper workmanship like manner. This access hole must be plugged with a non-combustible insulation after the gas supply line has been installed.



**VENTING**

**THE APPLIANCE MUST NOT BE CONNECTED TO A CHIMNEY FLUE SERVING A SEPARATE SOLID FUEL BURNING APPLIANCE.**

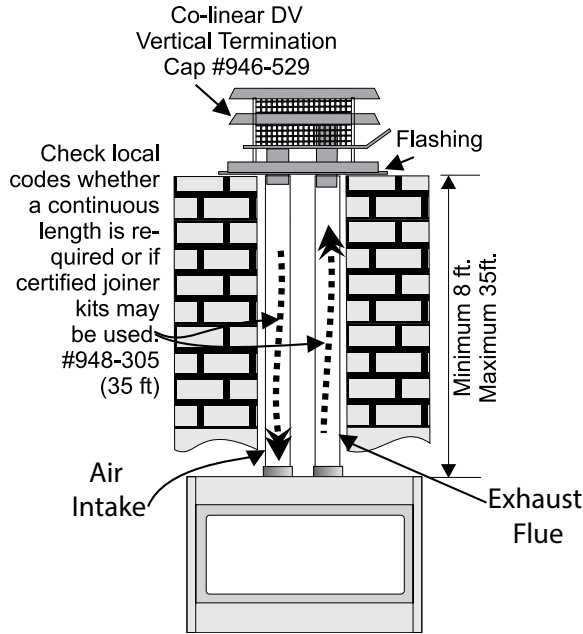
This appliance is designed to be attached to two 3" (76mm) co-linear aluminium flex running the full length of the chimney. The flue length must be a minimum length of 8' (2.44m) and a maximum of 35' (10.7m). See chart for minimum distances from roof. Periodically check that the vent is unrestricted.

Masonry chimneys may take various contours which the flexible liner will accommodate. However, **keep the flexible liner as straight as possible**, avoid unnecessary bending.

The Air Intake pipe must be attached to the inlet  
**14** | LRI4E / HRI4E Direct Vent Gas Insert

air collar of the termination cap.

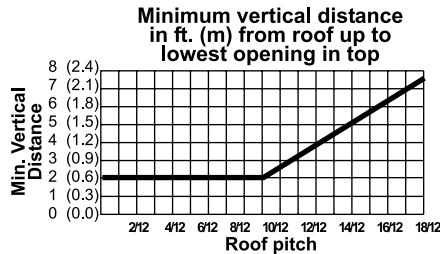
Part #	Description
948-305	3" Flex - 35 ft.
946-529	Co-linear DV Vertical Termination Cap



**Alternate Approved Caps**

- 46DVA-VC Vertical Termination Cap
- 46DVA-VCH High Wind Cap
- 46DVA-GK 3" Co-linear Adaptor with flashing

In areas of consistently high winds, we recommend using the Simpson Dura-Vent System (46DVA-GK adaptor and 46DVA-VCH high-wind cap). The Air Intake pipe must be attached to the inlet air collar of the termination cap.



Gas & Electrical Connections

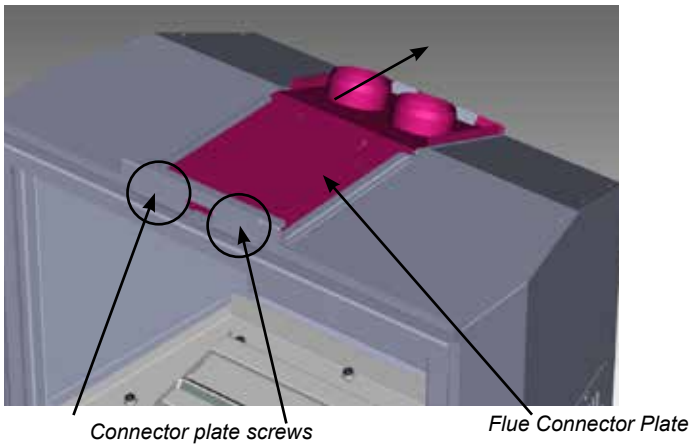
# FLUE / VENT INSTALLATION

## Connecting the Vent Liners

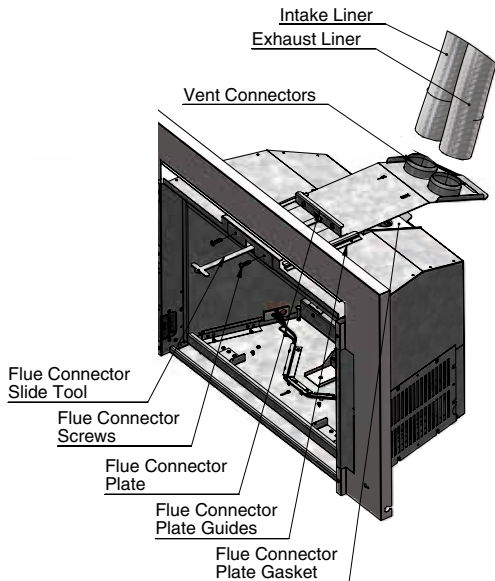


**NOTE:** Flue Plate Connector Gasket must not be damaged or removed. Care must be taken to ensure that this gasket remains intact to prevent flue leakage.

- 1) Detach the Flue Connector Plate from the unit by removing the Connector Plate Screws and sliding the Flue Connector Plate forward and off the unit.

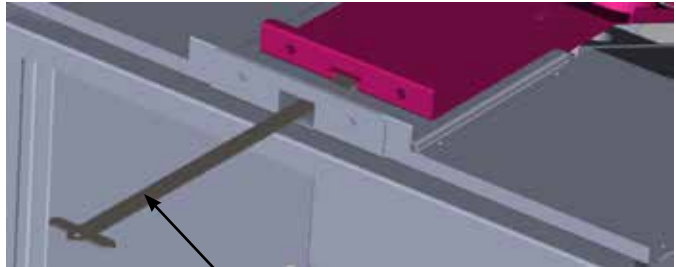


- 2) Attach the Flue Liners onto the Flue Connector Plate using non RTV type sealant, then fasten with 3 screws. See the section in this manual on Venting installation.
- 3) Position the unit in front of the fireplace opening, start the Flue Connector Plate into the Flue Connector Plate Guides.



**WARNING:** Failure to position the parts in accordance with these diagrams or failure to use only parts specifically approved with this appliance may result in property damage or personal injury.

- 4) Use the Flue Connector Slide Tool to slowly pull the Flue Connector Plate forward as you move the Insert rearward into the Fireplace Chase.



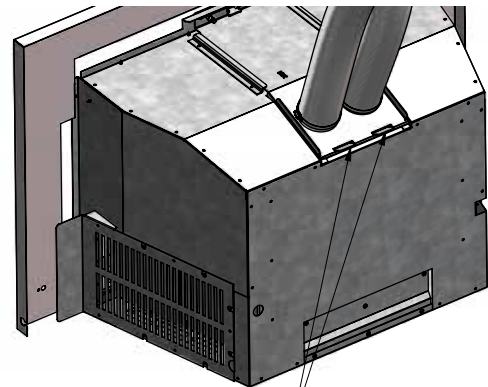
Flue Connector Slide Tool

- 5) When the Flue Connector Plate is close to the front of the unit, engage the Flue Connector Screws and carefully tighten the Flue Connector Plate the final amount.

\*\* Make sure the Rear Tabs connect into their respective slots in the Flue Connector Plate. Failure to do so will result in flue gas leakage and degrade the operation of the unit \*\* (See diagram below of location.)

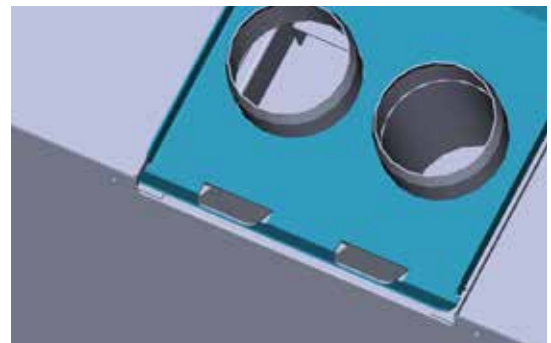
The Flue connection is complete when the Flue Connector Plate is fully forward and the Rear Tabs are fully engaged.

- 6) Remove the Flue Connector Tool and store for future use.



Rear tabs fully engaged

Properly installed Flue Connector Plate



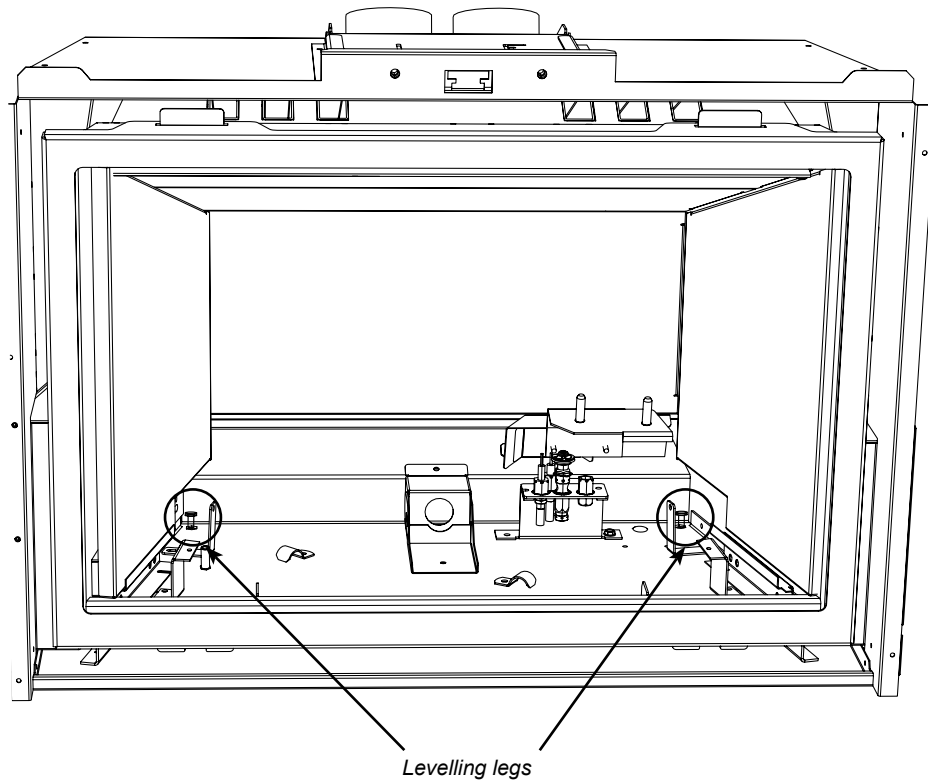


## LEVELLING LEG ADJUSTMENT

The LRI4E / HRI4E inserts are equipped with 2 rear levelling legs that are accessible while the appliance is in its final installation position. The unit can be adjusted up to 5/16" (16mm).

Remove left and right side filler pieces. The rear levelling bolts are located in the back corners of the firebox and can be adjusted using a 7/16" wrench. Rotate the bolts clockwise to raise the rear of the firebox.

When the appliance is in position, adjust the bolts to level the appliance, making sure that the appliance is also level and is sitting on the 2 bolts to prevent rocking.



## AIR SHUTTER ADJUSTMENT

Air Shutters are required to increase or decrease the amount of air that is mixed with the fuel before combustion. This will have an affect on how well the fuel combusts and how the flame appears physically. Low primary air will leave a taller, yellower flame while higher primary air will leave a lower, bluer flame.

This setting is largely for appearance, however, not enough primary air may lead to carboning, sooting or a flame that reaches the top of the firebox. Situations that may require more primary air are; units that are burning propane, units installed at higher elevations or units that are run on high most of the time.

The LRI4E / HRI4E are equipped with an air shutter that is accessible from outside the firebox and can be adjusted during operation.

Aeration adjustments should only be made after the unit has been on for 30 minutes to 1 hour.

Slide the Air Shutter Lever towards you to increase the primary air setting.

Slide the Air Shutter away from you to decrease the primary air setting. Below you will see a chart showing the minimum primary air settings.

These are set from the factory, but due to fuel conversions or installation conditions, the air setting may need to be adjusted.

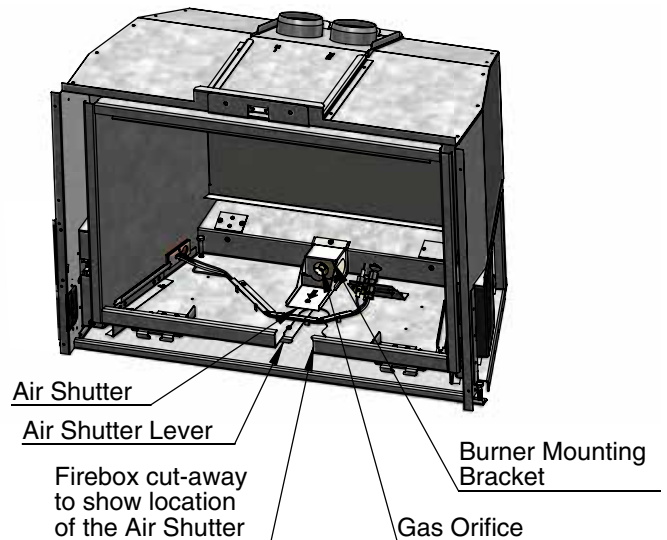
Unit	Fuel Type	Min. Air Setting
LRI4E	NG	3/16" (5mm)
LRI4E	LP	1/4" (6mm)
HRI4E	NG	3/16" (5mm)
HRI4E	LP	1/4" (6mm)
HRI4E w/optional driftwood logs	NG	Fully Open

**CAUTION:** Carbon will be produced if air shutter is closed too much.

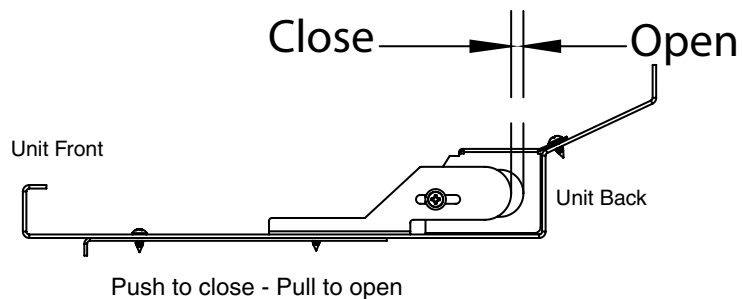
**Note:** any damage due to carboning resulting from improperly setting the aeration controls is NOT covered under warranty.

**Note:** Aeration Adjustment should only be performed by an authorized Regency Installer at the time of installation or service.

**Note:** The HRI4E with optional driftwood logs is only approved for sue with NG. This is not approved when using propane.



- 1) Slide the Air Shutter Lever towards you to increase the primary air setting.
- 2) Slide the Air Shutter away from you to decrease the primary air setting. Below you will see a chart showing the minimum primary air settings.



First Fire & Aeration

LRI4E-NG / HRI4E-NG SYSTEM DATA	
Min. Supply Pressure	5" WC (1.25 kpa)
Manifold Pressure	3.5" WC (0.87 kpa)
Orifice Size	#35 DMS
Maximum Input	31,000 Btu/h (9.09 kW)

LRI4E-LP / HRI4E-LP SYSTEM DATA	
Min. Supply Pressure	11" WC (2.73 kpa)
Manifold Pressure	10" WC (2.49 kpa)
Orifice Size	#53 DMS
Maximum Input	31,000 Btu/h (9.09 kW)

### HIGH ELEVATION

This unit is approved for altitude 0 to 4500 ft. (CAN1 2.17-M91).

### GAS LINE INSTALLATION

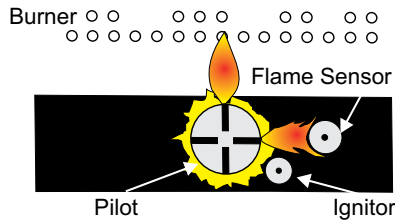
Since some municipalities have additional local codes it is always best to consult with your local authorities and the CAN/CGA B149 installation code.

For USA installations follow local codes and/or the current National Fuel Gas Code, ANSI Z223.1.

When using copper or flex connectors use only approved fittings. Always provide a union so that gas lines can be easily disconnected for servicing. Flare nuts for copper lines and flex connectors are usually considered to meet this requirement.

**NOTE: A shutoff / dante valve should be supplied in or near the unit (or as per local codes) for ease of servicing this appliance.**

**IMPORTANT: Always check for gas leaks with a soap and water solution or gas leak detector. Do not use open flame for leak testing.**



**Note: If you have an incorrect flame pattern, contact your Regency® dealer for further instructions.**

**Incorrect flame pattern will have small, probably yellow flames, not coming into proper contact with the rear burner or flame sensor.**

### GAS PIPE PRESSURE TESTING

The appliance must be isolated from the gas supply piping system by closing its individual manual shut-off valve during any pressure testing of the gas supply piping system at test pressures equal to or less than 1/2 psig. (3.45 kPa). Disconnect piping from valve at pressures over 1/2 psig.

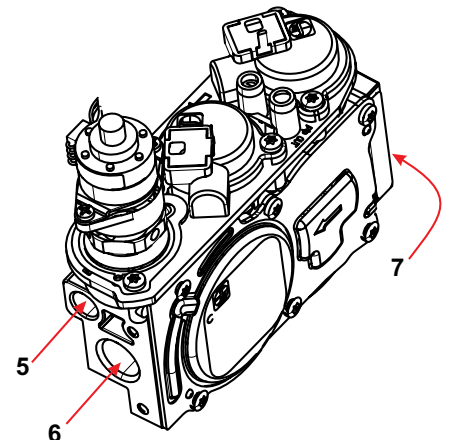
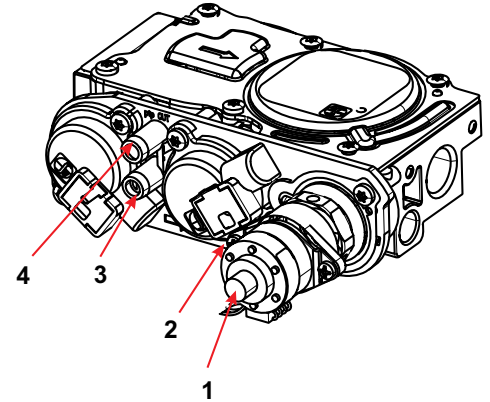
The manifold pressure is controlled by a regulator built into the gas control, and should be checked at the pressure test point.

**Note: To properly check gas pressure, both inlet and manifold pressures should be checked using the valve pressure ports on the valve.**

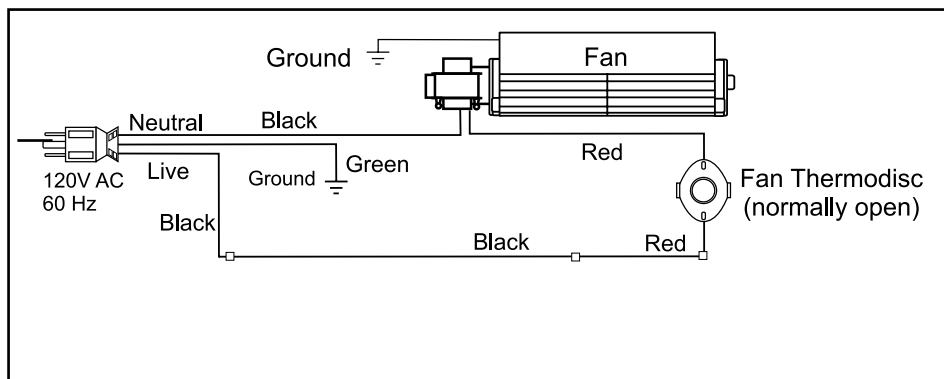
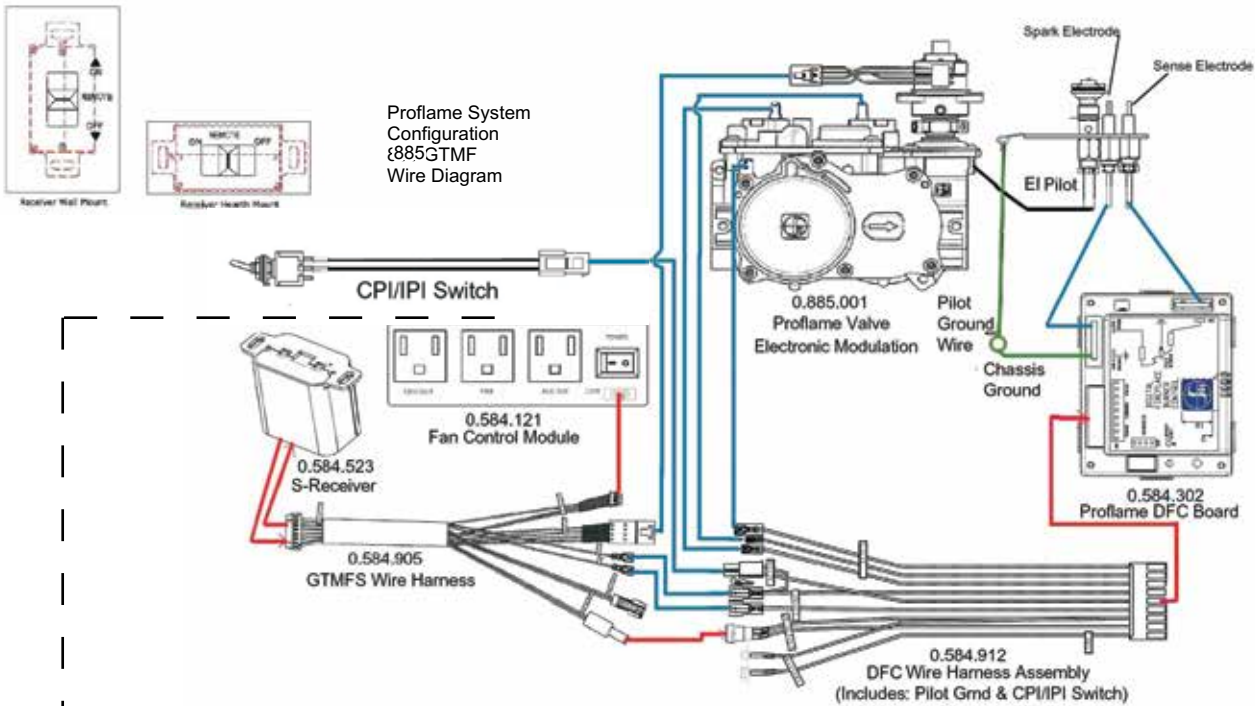
- 1) Make sure the valve is in the "OFF" position.
- 2) Loosen the "IN" and/or "OUT" pressure tap(s), turning counterclockwise with a 1/8" wide flat screwdriver.
- 3) Attach manometer to "IN" and/or "OUT" pressure tap(s) using a 5/16" ID hose.
- 4) Light the pilot and turn the valve to "ON" position.
- 5) The pressure check should be carried out with the unit burning and the setting should be within the limits specified on the safety label.
- 6) When finished reading manometer, turn off the gas valve, disconnect the hose and tighten the screw (clockwise) with a 1/8" flat screwdriver.  
**Note: Screw should be snug, but do not over tighten.**

### 885 S.I.T. VALVE DESCRIPTION

- 1) 6 Stage flame adjustment
- 2) Pilot adjustment
- 3) Inlet Pressure Tap
- 4) Outlet Pressure Tap
- 5) Pilot Outlet
- 6) Main Gas Outlet
- 7) Main Gas Inlet



**PROFLAME REMOTE SYSTEM GTMF WITH FAN (LRI4E / HRI4E)**



Proflame Remote Operation



Proflame Remote Battery Change

**GTMF REMOTE SYSTEM - IMPORTANT:** The 120V fan control module serves as the power source for this unit. The AA batteries in the receiver only serve as a backup in case 120 volt power lost within the home.

**CAUTION:** Label all wires prior to disconnection when servicing controls. Wiring errors can cause improper and dangerous operation.

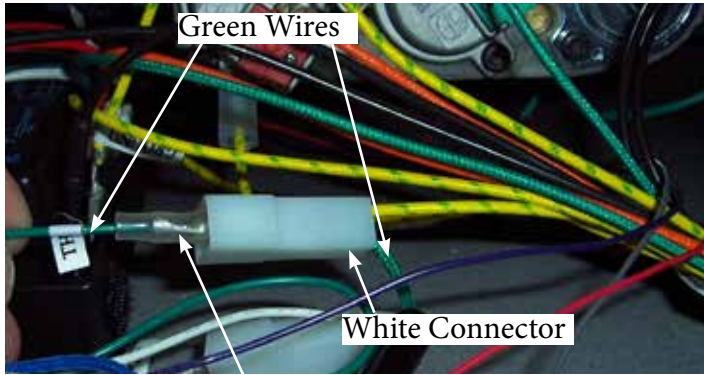
**Caution:** Ensure that the wires do not touch any hot surfaces and are away from sharp edges.

### OPTIONAL WALL THERMOSTAT INSTALLATION

This installation must be completed during initial install prior to the faceplate being installed.

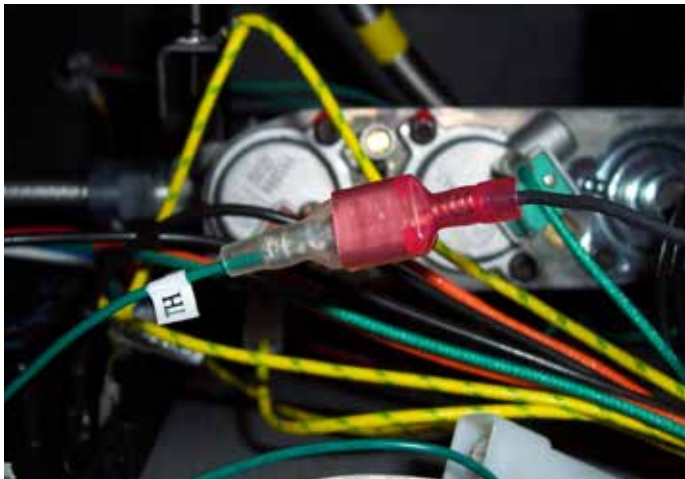
A wall thermostat may be installed if desired.

- 1) Run wires from thermostat into the unit.
- 2) Remove the green wire marked (TH) at the white connector-shown below. The noted wires will be located near the gas valve.



**CAUTION**  
Do not wire  
Thermostat wires  
to 120V wire.

- 3) Connect one thermostat lead to female connector, using male spade connector - see picture below.



- 4) Connect the other thermostat lead to male connector disconnected from Step1 using a female spade connector - see picture below.



When complete turn remote receiver to the ON position.  
Unit will now operate using the wall thermostat.



**NOTE:** When the remote receiver is set to ON position, the remote control transmitter and all of its features are now disabled.



## CONVERSION FROM NG TO LP

LRI4E /HRI4E using SIT 885 NOVA Gas Valve

**THIS CONVERSION MUST BE DONE BY A QUALIFIED GAS FITTER  
IF IN DOUBT DO NOT DO THIS CONVERSION!**

### WARNING

This conversion kit shall be installed by a qualified service agency in accordance with the manufacturer's instructions and all applicable codes and requirements of the authority having jurisdiction. If these instructions is not followed exactly, a fire, explosion or production of carbon monoxide may result causing property damage, personal injury or loss of life. The qualified service agency is responsible for the proper installation of this kit. The installation is not proper and complete until the operation of the converted appliance is checked as specified in the manufacturer's instructions supplied with the kit.

Conversion Kit 396-972 includes:

1	911-011	Stepper Motor LP for 885 SIT
1	904-947	Orifice #53
1	910-101	Pilot Orifice #35
1	918-590	Decal - Conversion to LP
1	908-528	Label Propane
1	904-529	5/32" long Allen Key

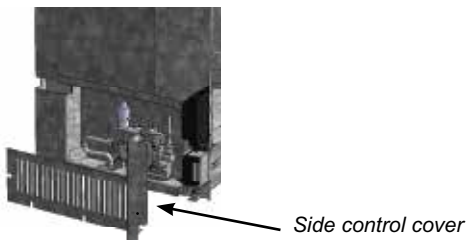
**Before you begin:**

**Shut off the gas supply to the unit.**

**Disconnect all electrical supply to the unit.**

**Always let the appliance cool to room temperature before servicing.**

1) Remove the left side control cover.



The valve in the LRI4E is attached using 2 screws and 2 hooks located below the valve. Loosening the screws part way and lift the valve to disengage the hooks.

The valve will then hinge outward allowing access to the components and pressure taps located on the top of the valve without completely removing the valve.



2) Loosen both screws at the top of the valve about 1/2 way out. Lift the valve body and lean outward. The Valve Brackets will rest open as shown on the right.



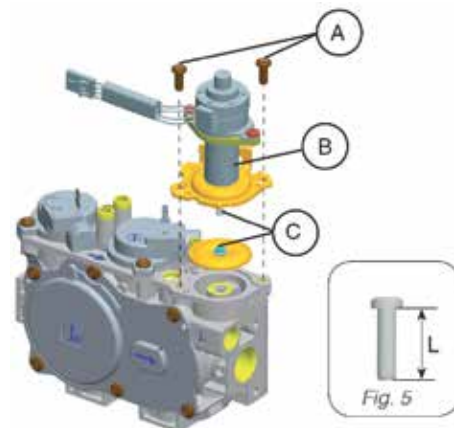
3) Disconnect the Cable coming from the Pressure Regulator Motor.



4) Remove and discard 2 Pressure regulator screws A (T20 or slot), Pressure Regulator B, Spring and Diaphragm C.

5) Ensure the rubber gasket, which is prefitted as part of the Assembly, is properly positioned. Install the new Pressure Regulator using the 2x M4 x .7 screws supplied. Tighten the screws to 25lb-in. In the event that the screw threads are cross threaded or stripped, replace the valve assembly.

Install the enclosed propane identification label to the valve body where it can be easily seen.



- 6) Re-attach the Pressure Regulator wire, and re-situate the Gas Valve, secure the screws that fasten the Gas Valve Mounting Brackets.
- 7) Remove burner (see burner removal section in manual).
- 8) Using a 3/8" socket wrench, loosen and remove the main gas orifice. Replace with the LP gas orifice. Confirm the orifice size marked on the Orifice with the Rating Label on the appliance



- 9) Remove pilot retainer clip with pliers and pull off the pilot cap to expose the pilot orifice.



*Pilot retainer clip*



- 10) Unscrew the pilot orifice with the allen key; then replace with the LPG pilot orifice and the pilot cap, provided in the kit.



- 11) Ensure the pilot light is in the correct orientation to the Burner. Reconnect the gas and electrical supply to the appliance. Start the appliance. (see section on Lighting Instructions) Ensure that pilot and burner ignition is completed without delay. Check both your inlet and outlet pressures at full load. With a soapy solution, leak test the entire system. Verify both the correct flame and pilot appearance.
- 12) See Gas Pipe Pressure Testing in manual.
- 13) Adjust aerations settings - see Air Shutter Adjustment section in the manual.

**Installer Notice:**  
**These instructions must be left with the appliance.**

## GLASS CRYSTAL / CERAMIC SPA STONE INSTALLATION

Spread the Glass Crystals or Stones evenly over the burner. Ensure the crystals/stones do not overlap excessively as this will affect the flame pattern.

**IMPORTANT NOTE:**

Only the supplied approved Glass Crystals and Stones are to be used with these fireplaces. Use of any other type of glass crystals or stones can alter the unit's performance, any damage caused by the use of any unapproved glass or stones will not be covered under warranty.

When using Ceramic Spa/Volcanic Stones **DO NOT** cover burner ports or pilot light that lead to pilot flame.

BURNER PACKAGES			
Unit	*Glass Crystals	Fire Beads	Stones - Spa / Ceramic / Volcanic Stones / Driftwood Logs
HRI4E	8 lbs [5 lbs burner + 3 lbs firebox]	8 lbs [5 lbs burner + 3 lbs firebox]	7 lbs Glass + 1 package (70 Spa Stones) 8 lbs Beads + 1 package (70 Spa Stones) 4 lbs Glass + 26 Volcanic Stones 8 lbs beads + 26 Volcanic Stones
<b>NOTE:</b> * Glass Crystals are not supplied with the unit. Must purchase separately - see quantities above. Spa stone package contains 70 stones.			

### OPTIONAL PEBBLES / GLASS CRYSTAL INSTALLATION FOR FIREBOX BASE (AROUND BURNER)

There are 2 optional packages to choose from to cover the firebox base:

- 1) Natural River Pebbles
- 2) Glass Crystals (4 colors available)

Spread the pebbles / crystals evenly on the exposed base of the firebox. Pebbles are **NOT** to be placed anywhere on the burner or over top of the Glass Crystals or optional Stones.

**IMPORTANT NOTE:** Only the supplied and approved pebbles / glass crystals are to be used with these fireplaces. Use of any other type of pebbles, glass crystals or other material can create a danger and will void the warranty.

Firebox (Around Burner) Packages		
Unit	Glass Crystals	Pebbles
HRI4E	5 lbs burner	1 package (use 3 bags pebbles)



Installing Glass Crystals



Glass Crystals shown on Burner and Firebox Floor



DO NOT block pilot area with glass crystals



# CAUTION

DO NOT place spa stones over pilot and burner ports.



*No spa stones in this area.*

## HRI4E OPTIONAL LOG SET INSTALLATION

Read the instructions below carefully and refer to the images. If the logs are broken do not use the unit until they are replaced. Broken logs can interfere with pilot operation.

Improper positioning of the logs may create carbon build-up and can alter the unit's performance which is not covered under warranty.

\*For Touch Ups: Satin Black paint is included for burner, and Dark Brown Paint is included for log set,

**Note:** This Log installation is for NG units only.

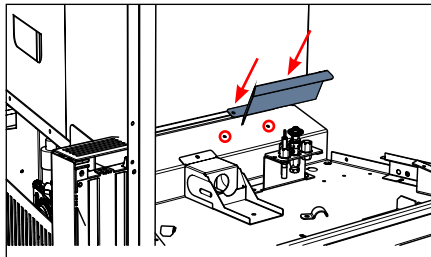
1	Rear Centre Log
2	Centre Right Front Angled Log Piece
3	Right Forked Upright Log
4	Left Angled Upright Log
5	Left Angled Cross Log
6	Right Front Angled Log Piece
7	Centre Left Front Angled Log Piece
	Rear Log Bracket (HRI6E/HRI4E units)
	Pilot shield (HRI4E units <b>only</b> )
	Lava Rock and Embers

Glass/Beads quantities with Log installation	
HRI4E	6 lbs
HRI6E	9 lbs
<b>Note:</b> If glass previously installed - remove 2lbs to equal above quantity.	

Ensure unit is cooled to room temperature and remove glass door.

### 1. HRI4E Unit only.

Remove burner (see manual for instructions).  
Remove existing pilot shield by removing 2 screws.  
Install pilot shield with Log Set using 2 screws from previous pilot shield. Reinstall burner.

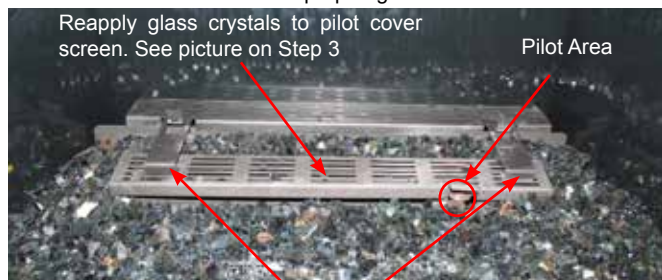


New Pilot Shield - HRI4E Only

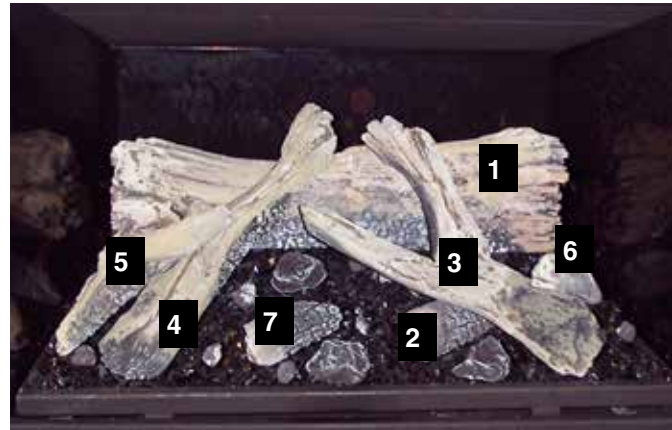
### 2. Both HRI4E & HRI6E Units.

Sweep glass aside from log covers (if already installed) to install Rear Log Bracket, clip the front edge of the rear bracket on to rear of the burner as shown below.

**IMPORTANT:** After the Rear Log Brackets are installed glass crystals must be reapplied. Glass crystals should not be higher than the rear log bracket but must cover the screen portion of the pilot cover. Pilot area needs to be clear to allow proper ignition.



Rear Log Brackets

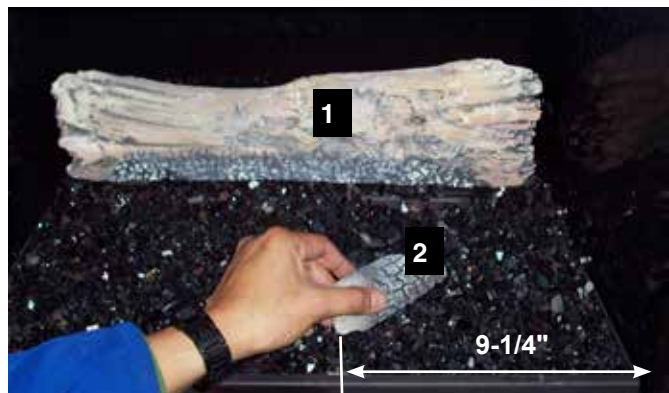


3. Place Log 1 on Rear Log Bracket in front of tabs, ensure Log is centered. Place small amount of glass crystals on pilot cover, over top pilot area in front of Log 1.



Center Log 1 on bracket

4. Place Log 2 on the glass, angled with the non charred point of the Log is approximately 9-1/4" from the right side of the burner tray.



Position Log 2



5. Place Log 3, rest on Log 2, match pin locator on Log 2 with landing pin on Log 1. Angle the longest point on Log 3 is approximately 1/4' from the outside edge of the burner tray.



Line up pin locator and pin, Logs 1,3

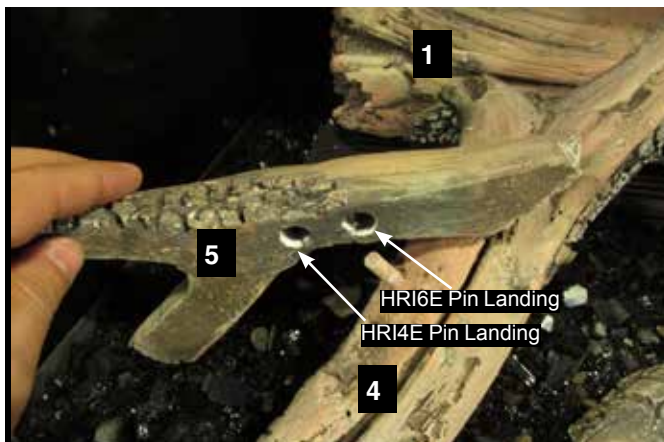
6. Place Log 4, match pin locator on Log 4 with landing pin on Log 1. Angle the longest point on Log 4 is approximately 1/4' from the outside edge of the burner tray.



Line up pin locator and pin, Logs 1,4

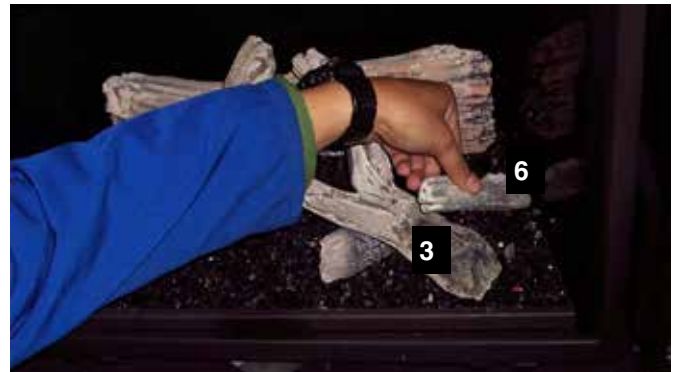
7. Place Log 5 across Log 4, match pin locator on Log 5 with landing pin on Log 4.

**Note:** there are 2 pin locators on Log 5, lower locator is for HRI4E units and the upper locator is for the HRI6E units.



Line up pin locator and pin, Logs 5,4

8. Place Log 6 - rest on Log 3 as shown below.



Position Log 6

9. Place Log 7 on the glass as shown below.



Position Log 7

10. Place embers and Lava rocks on the glass as shown below.

**Note:** Properly positioned, Logs 3 & 4 should measure 1/4" from their longest point to the outside edge of the burner tray.



Place Lava Rock and Embers on Glass

11. Reinstall Glass Door.

12. Adjust aeration setting to fully open (manual for detailed instructions)

**Note:** Logs to be installed in NG units only.

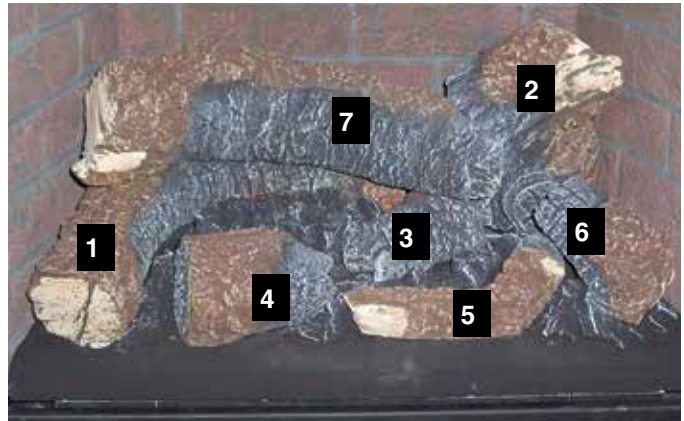
## LRI4E LOG SET INSTALLATION

Read the instructions below carefully and refer to the images. If the logs are broken do not use the unit until they are replaced. Broken logs can interfere with pilot operation.

Improper positioning of the logs may create carbon build-up and can alter the unit's performance which is not covered under warranty.

\*For Touch Ups: Satin Black paint is included for burner, and Dark Brown Paint is included for log set,

1	Rear Bottom Left Log
2	Right Upright Log
3	Middle Right Log Piece
4	Front Left Log Piece
5	Front Right Log
6	Front Right Angled Log
7	Top Back Log



1. Seat Log 1 on the back left side indent in the burner. When Log is seated, grasp both ends of the Log and slide forward until Log 1 is snug against raised portions of burner.



Log 1 location on burner

2. Identify corresponding pin locators on bottom of Log 2 and line up with pins on burner- see below.

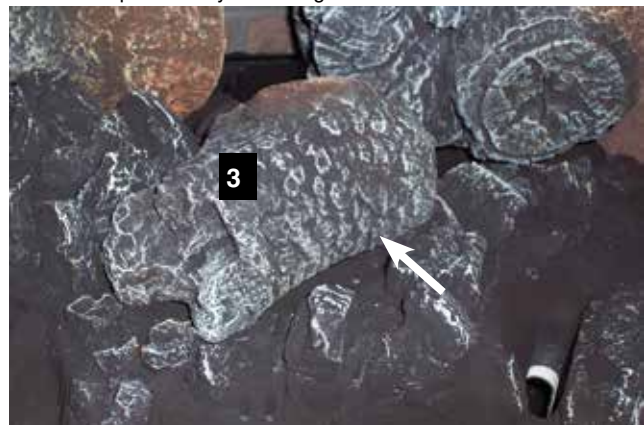


Log 2 pin locator, line up with pins on burner

3. Seat Log 3 into indent in burner as shown below.



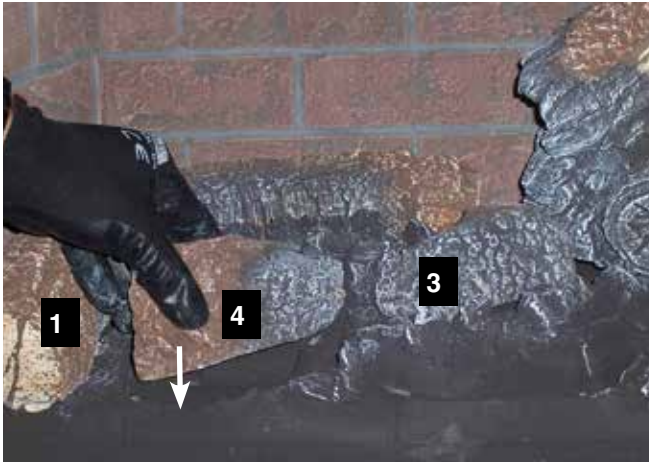
4. When seated, push Log 3 to the back as far as it will go within indent. to prevent any carboning.



Log 3 push to the back of the indent



5. Seat Log 4 into front, right depression on burner as shown below.



Placement of Log 4

6. Position Log 5 by seating into the indent located at the front of the burner towards the right as shown below.



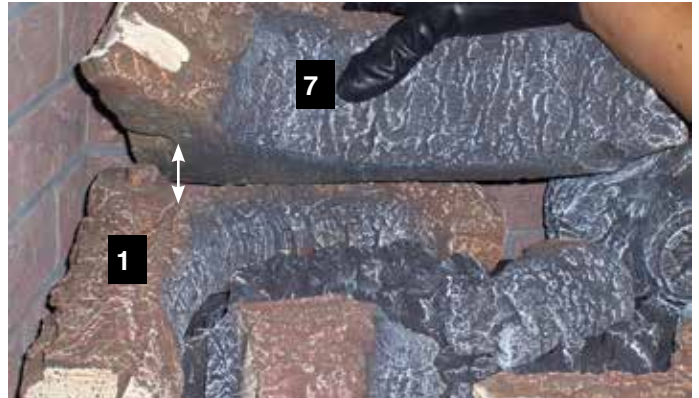
Location for Log 5

7. Log 6 is positioned in the indent on the far right of the burner in the orientation shown below.



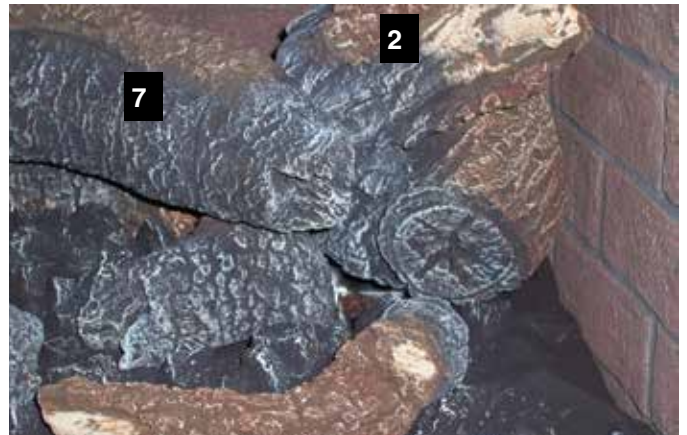
Location for Log 6

8. Line up the pin locator in Log 7 with the pin in Log 1.

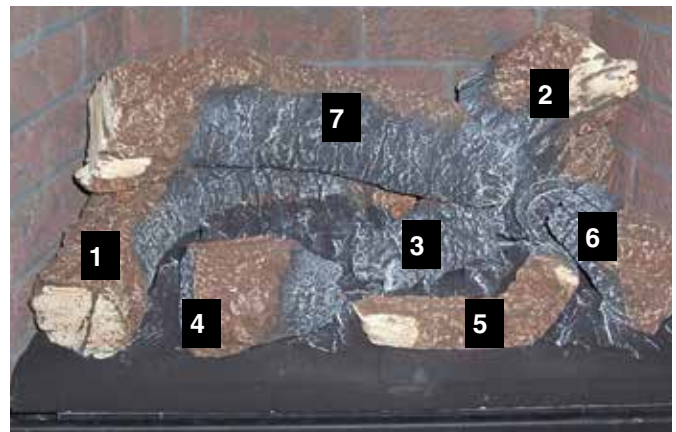


Log 7 pin locator line up with Log 1 pin

9. When Log 7 is seated, manoeuvre it is contacting Log 2.



Log 7 and Log 2 should make contact



Final Install

## STANDING PILOT

The LRI4E / HRI4E use a heat exchanger and efficient combustion technology to provide extreme heating efficiencies. The more efficient an appliance becomes, the lower the flue gas temperatures becomes. On start-up, flue temperatures are required to initiate venting action.

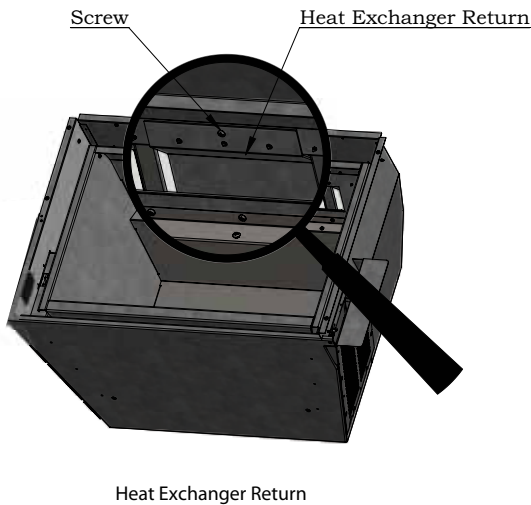
Here are some considerations when setting up the LRI4E / HRI4E:

- 1) When operating the unit in temperatures below 50° F, run the pilot in "Standing Pilot" mode, by setting the Surefire™ switch to ON. The switch is located to the bottom left of the Firebox Door.

Move the switch to the right to run in Standing Pilot mode, to the left to run in Intermittent Pilot (electronic ignition) mode. This will aid in keeping the flue slightly warmer than the outside air, making start up a smoother process.

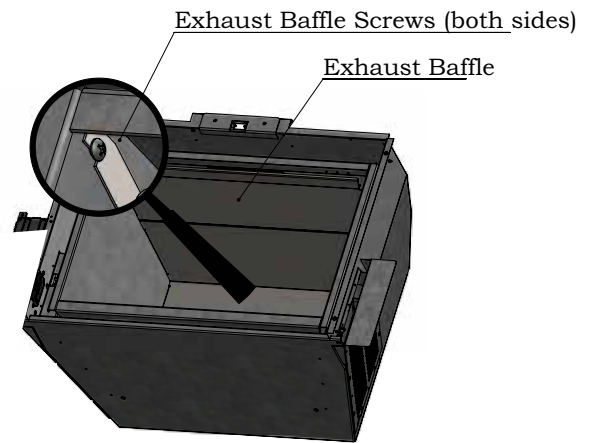
## HEAT EXCHANGE RETURN

**NOTE:** Only installed at elevations of 35 feet maximum vent run.

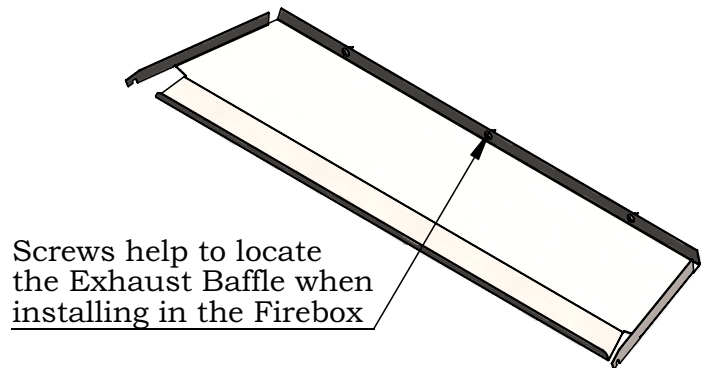


## ADDING THE HEAT EXCHANGER RETURN

- 1) Remove the panels if they are already installed. Remove one screw in the upper left and upper right of the firebox. If the unit has been previously operated, spray these screws with WD-40. Once the screws have been removed, lower the front edge of the exhaust baffle and pull towards you. There are 3 screws at the rear of the exhaust baffle that help to position the baffle and keep it straight during operation.
- 2) Install the heat exchange return as shown.
- 3) Reinstall the exhaust baffle.



Exhaust Baffle

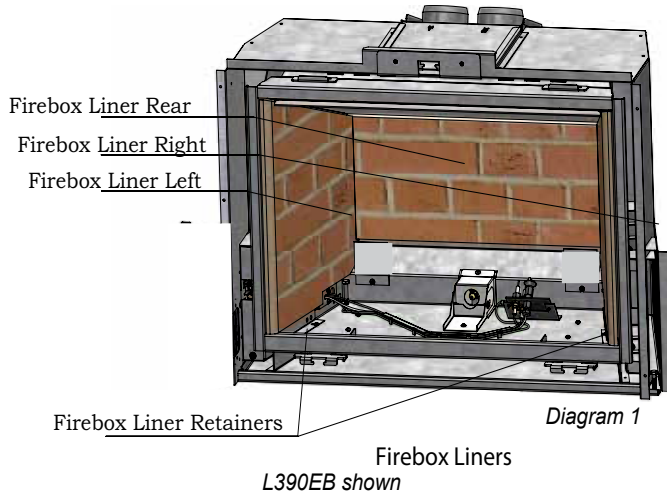


Exhaust Baffle

**BRICK PANEL INSTALLATION**

**IMPORTANT: THIS APPLIANCE CANNOT BE OPERATED WITHOUT BRICK OR ENAMEL PANELS INSTALLED.**

Brick panels are soft and fragile. Use caution when handling the panels, being careful not to jar them or scratch the painted surfaces.

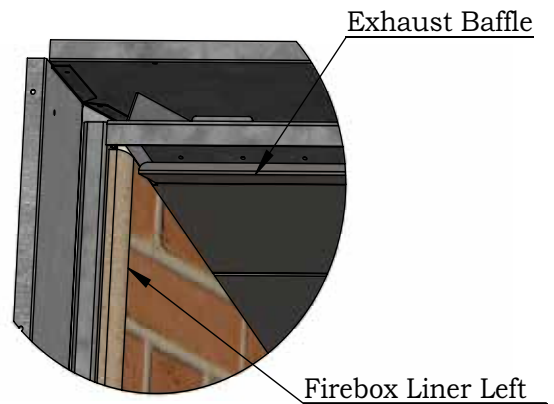


- 2) Remove the firebox liners from their packaging. Inspect them prior to installation to make sure they haven't been damaged during shipping.
- 3) Install the rear brick panel, by placing it against the rear of the firebox. The bottom of the brick panel rests on a small sheet metal lip, just above the air intake at the bottom rear of the Firebox. You will need to hold this panel in place while you install the right brick panel. Do not let go of the panel or it may fall forward and be damaged.
- 4) While holding the rear brick panel in place, slide the right along the side of the firebox toward the rear of the firebox. Each side Firebox Liner will sit upon a Firebox Liner Retainer and the top will be held between the Exhaust Baffle and the side of the firebox.

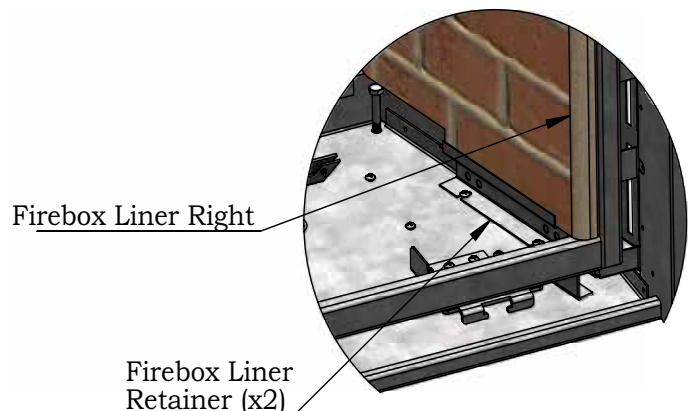
1) Remove left/right filler sections and discard - see below.



Left /right filler sections



Upper Left of Firebox



Lower Right of Firebox

- 5) Once one Firebox Liner Side is installed, you can release the Firebox Liner Rear. The side Liner will hold the rear Liner in place. Install the Firebox Liner Left the same way you installed the Firebox Liner Right. Both side liners should be just slightly back from the front edge of the Firebox.



Brick Panel Installation



## ENAMEL PANEL INSTALLATION

**IMPORTANT: THIS APPLIANCE CANNOT BE OPERATED WITHOUT BRICK OR ENAMEL PANELS INSTALLED.**

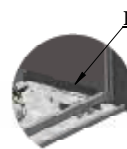
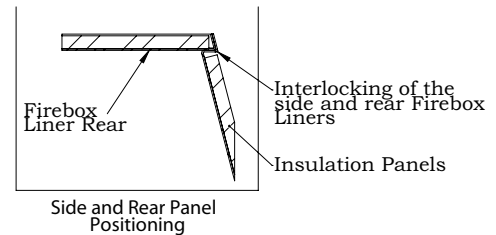
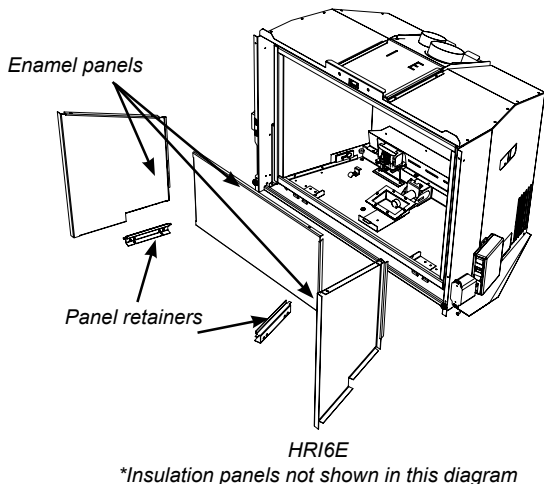
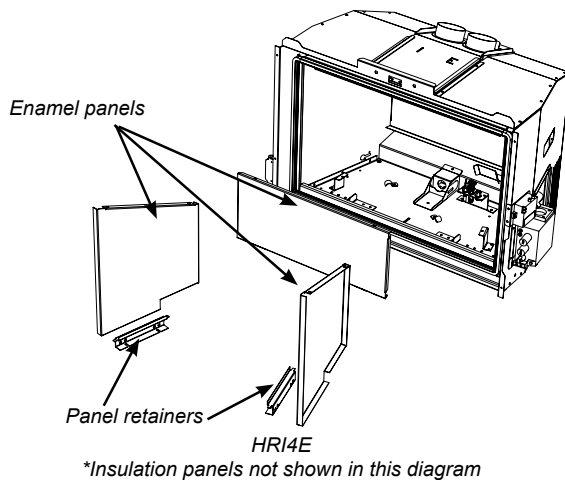
Before you Start:
<b>Black Enamel Panels</b>
<ul style="list-style-type: none"> <li>• Black Enamel panels must be inspected for scratches and dimples prior to installation. All claims to be recorded at this time. Claims for damage after installation will not receive consideration.</li> </ul>
<ul style="list-style-type: none"> <li>• Black Enamel panels will discolor a little during normal operation. This is normal and should not be considered a defect.</li> </ul>
<p><b>* All hand and finger marks <b>MUST</b> be cleaned off with a soft cloth. Use an ammonia based cleaner (ie. glass cleaner) to remove any fingerprints before applying heat to the unit. <b>Failure to do this will result in burn stains on panels which you will be unable to remove.</b> Not protected by product warranty.</b></p>

Sheet metal components may have sharp edges. Please handle with care. The enamel panels require an insulation panel installed behind them. Failure to do so may result in an elevated operating temperature and premature failure of the appliance. The Insulation panels may contain fibre glass or ceramic elements. These may become airborne or stick to carpets and/or clothing. Handle with caution. The use of work gloves and dust masks is recommended when handling panels and insulation.

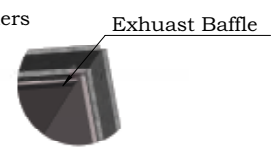
1. Remove filler sections from right and left sides of the burner and discard - see below.



2. Place the insulation panels on the inside of their respective firebox liners. Have both the rear liner and the right liner within reach of the Firebox. The rear liner has one long edge with perpendicular lip and one long edge with a lip angled downward. The angled lip is the top of the panel. The liner sits on a sheet metal ledge at the rear of the firebox, just above the air inlet near the bottom. While holding the rear liner in place, slide the firebox liner right (and the corresponding insulation panel) into the right side of the Firebox. The side liners will sit on the firebox liner retainers and fit at the top in-between the firebox side and the exhaust baffle. The rear flange on the Firebox Liner Side, sits between the rear liner and the firebox side. When the side liner is properly installed, the front edge should sit just inside the front edge of the firebox.



Bottom Right of Firebox



Top Right of Firebox

3. Install the firebox liner Left, with the corresponding Insulation Panel by sliding it into the left side of the firebox. The rear flange of the liner must fit between the firebox liner rear and the firebox. You may have to push the liner against the firebox as you push it rearward.

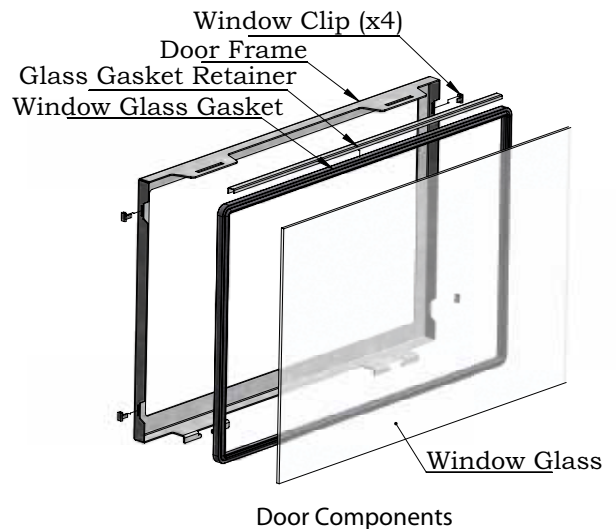
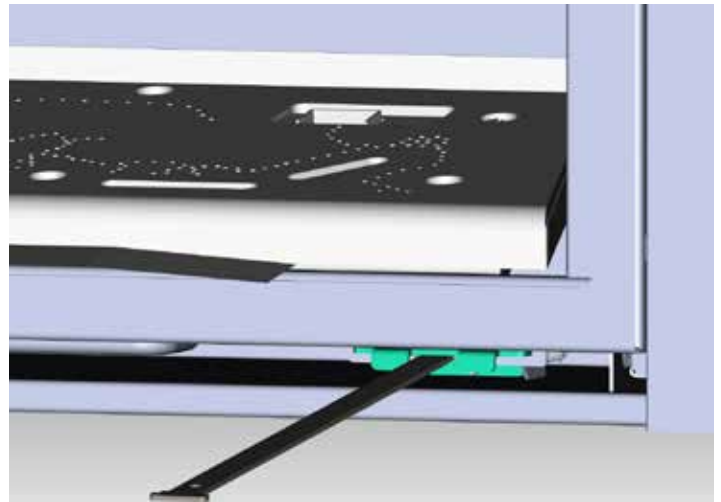
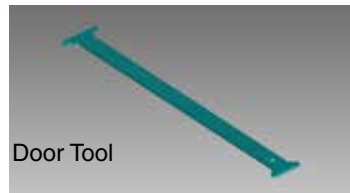
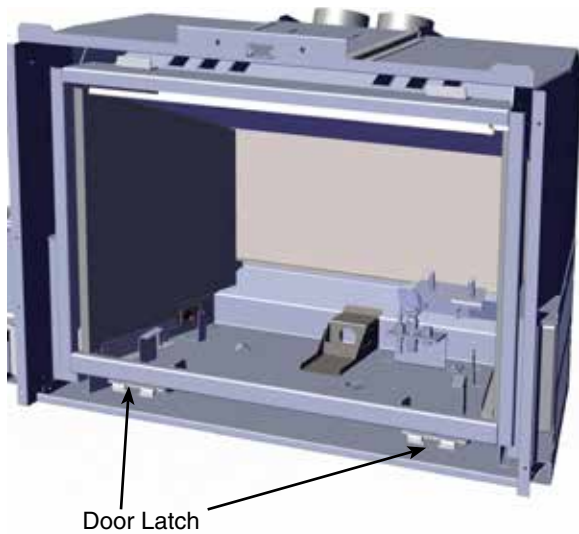




GLASS DOOR REMOVAL / INSTALLATION

**WARNING: Do not operate the appliance with the glass panels removed, cracked or broken. Replacement of the glass panels should be done by a licensed or qualified service person.**

- 1) Insert the door tool into the lower door latch.



- 2) Pull forward until the lower door latch is disengaged from the door frame.
- 3) Push downward until the Lower Door Latch is below the Door Frame.
- 4) Release the lower door latch until it reaches its resting point.
- 5) Remove the door tool and repeat steps 1-5 on the other lower door latch.
- 6) Pull the bottom of the door towards you until the door is angled away from the firebox by about 30°. Lift the door up and over the upper door hooks.
- 7) To install the glass door - reverse steps.



Glass Door Cleaning & Removal

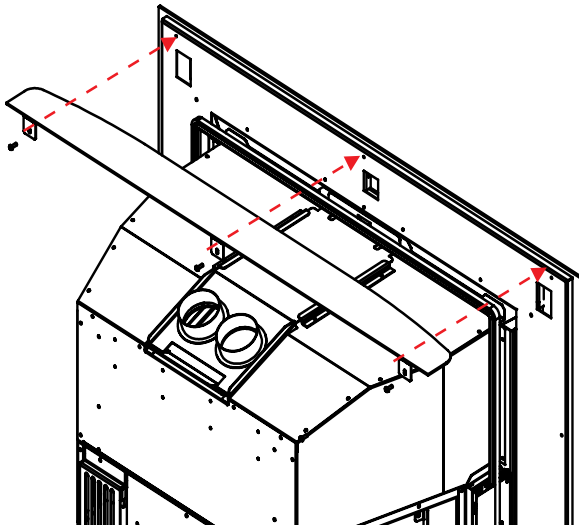
## VIGNETTE FACEPLATE WITH SAFETY SCREEN INSTALLATION

### Black Chrome Handling Instructions

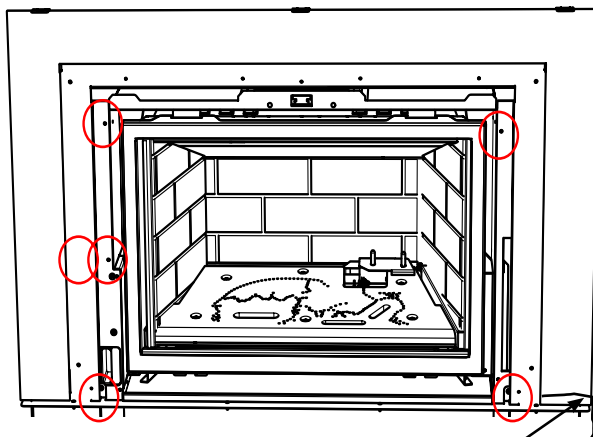
\* All hand and finger marks **MUST** be cleaned off with a soft cloth. Use an ammonia based cleaner (ie. glass cleaner) to remove any finger prints before applying heat to the unit. Use supplied gloves when installing Black Chrome Faceplates. **Failure to do this will result in burn stains on panels which you will be unable to remove.** Not protected by product warranty.

A mantel deflector may be installed to reduce the minimum mantel height. Refer to minimum clearances in the installation manual. The mantel deflector must be attached prior to installing the outer faceplate. If not installing the mantel deflector - proceed to Step 2.

1. Line up the mantel deflector (tabs to the back) with the Vignette Outer Faceplate, secure in place with 3 screws.

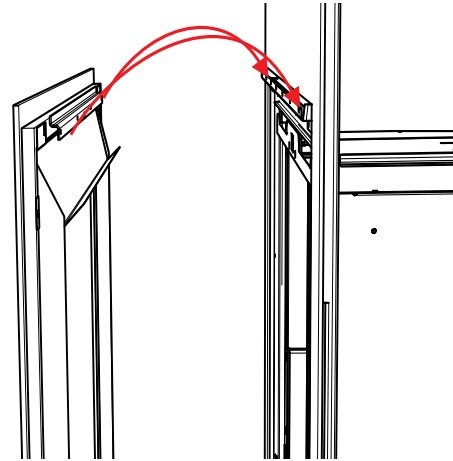


2. Install the outer faceplate and secure with 6 screws as shown. Route power cord on right side between the inner and outer profile of faceplate. Use a grommet and wire clip to secure.

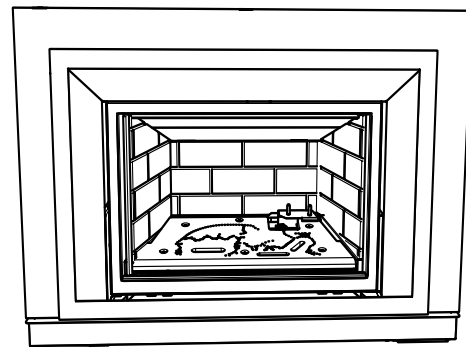


Power Cord Location

3. Install the Vignette faceplate by hooking the flange over the hanger as shown.



4. Ensure finger prints or smudges are removed from the faceplate before the first firing.



Final Install

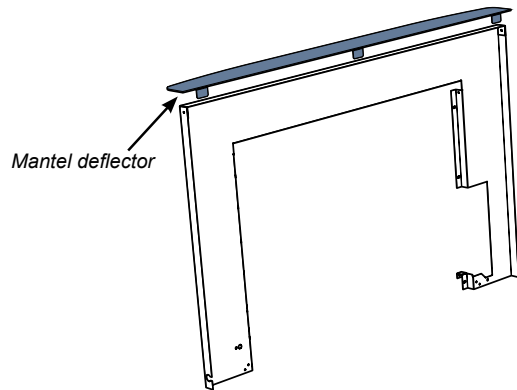
Note: Shown with Optional Hearth Trim

**NOTE:** Pull the bottom of the Vignette faceplate towards you to access the remote receiver

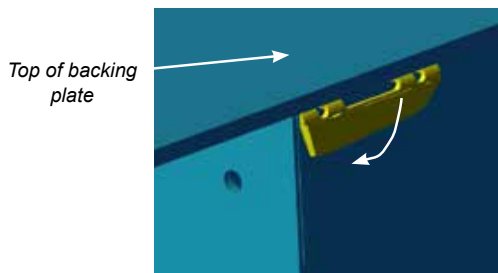
### 3 SIDED LOW PROFILE FACEPLATE WITH SAFETY SCREEN INSTALLATION

**Note:** A mantel deflector may be installed to reduce the minimum mantel height. Refer to minimum clearances in the installation manual. If not installing the mantel deflector - proceed to step 3.

1. Line up the mantel deflector (tabs to the back) with the Low Profile backing plate.

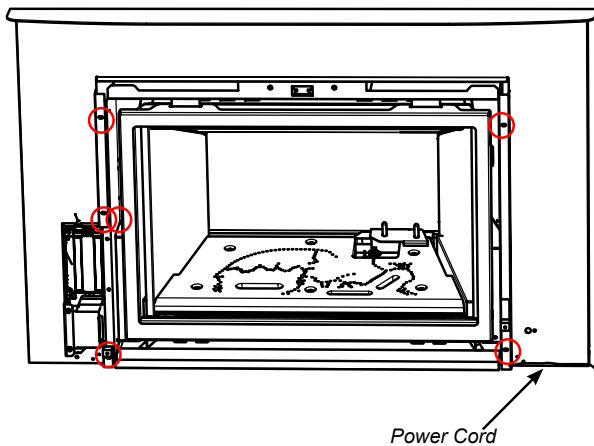


2. Bend all 3 tabs 90° to secure the deflector to the top of the backing plate. The tabs should be flush with the underside of the top lip of the back plate.

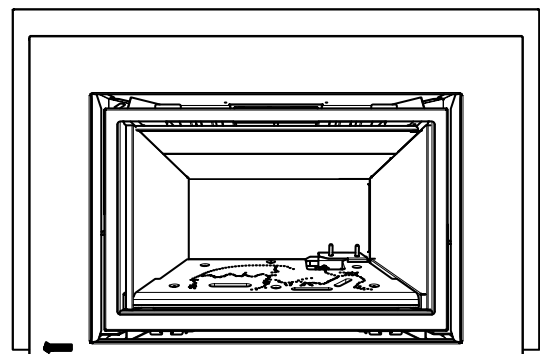
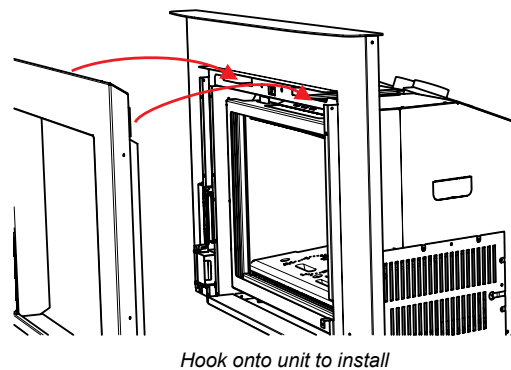
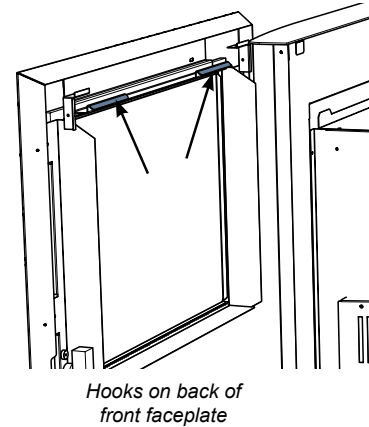


**Note:** Faceplate may be installed after the unit is in its final position.

3. Install Low Profile faceplate backing plate and secure to the unit with 6 screws in locations shown below. Route power cord through the right side of backing plate and install the grommet.



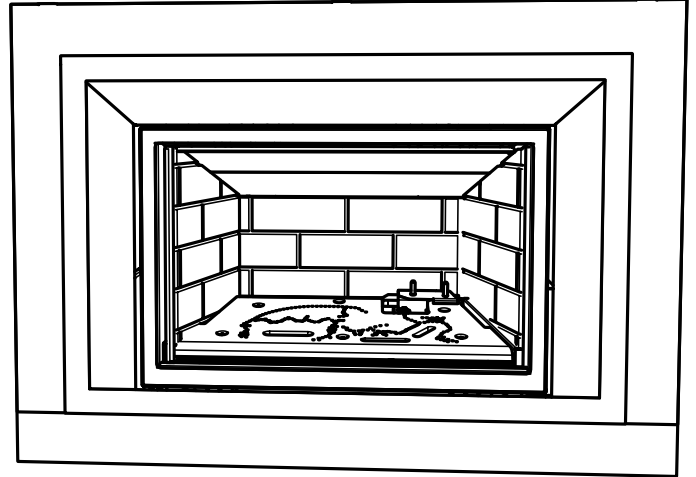
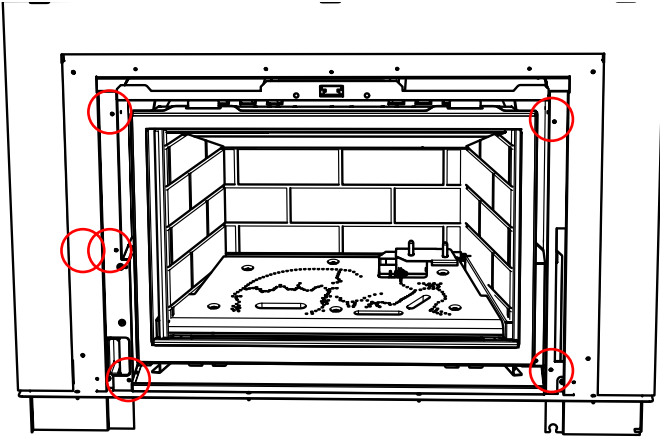
4. Install front faceplate by hooking back of front faceplate over lip edge on unit in locations shown below. Angle faceplate slightly to hook on, lower gently, bottom of faceplate will secure with magnets.



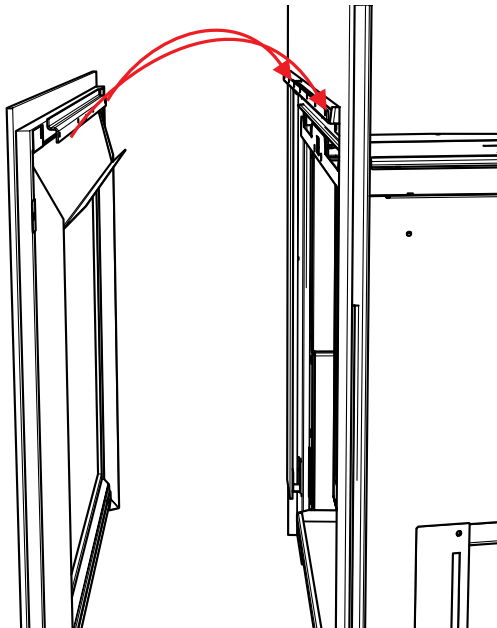
**NOTE:** To access the remote receiver pull lower portion of front faceplate towards you. The receiver will be located on the lower left side of the appliance.

## 4 SIDED FACEPLATE WITH SAFETY SCREEN INSTALLATION

1. Install the outer faceplate and secure with 6 screws as shown.



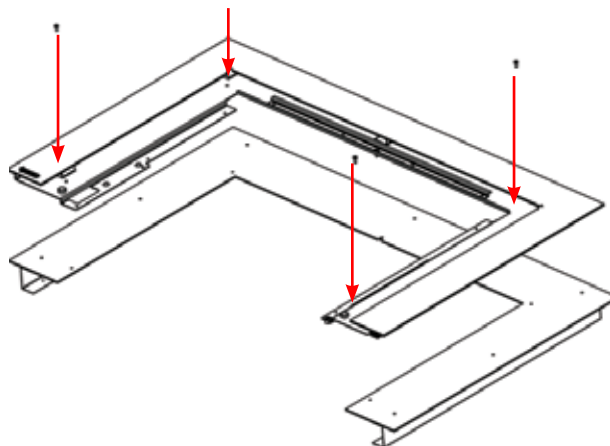
2. Install the outer faceplate by hooking the flange over the hanger as shown.



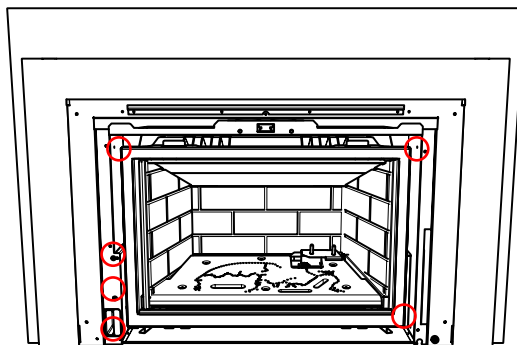
## SPACER INSTALLATION

The installation of a spacer may be required to maintain the flush appearance of the faceplate.

1. Secure outer faceplate to spacer trim using 4 screws.



2. Install the outer faceplate with spacer trim and secure with 6 screws as shown.  
Route power cord through the inner and outer rear profile of the rear faceplate on the right side. Install grommet and wire clip.

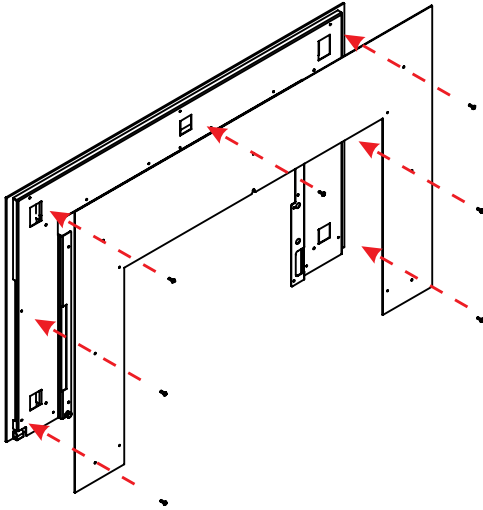


3. Install the Vignette faceplate by hooking the flange over the hanger.

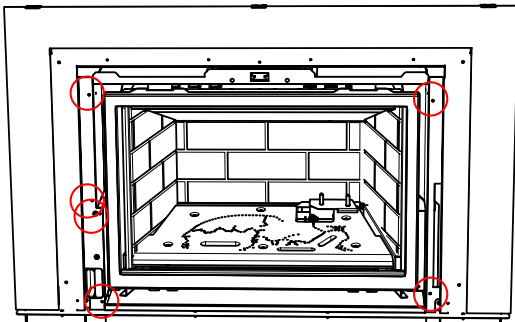
## BACKING PLATE INSTALLATION

### Backing Plate Installation without Spacer

1. Secure the backing plate to the outer faceplate and secure with 7 screws as shown.

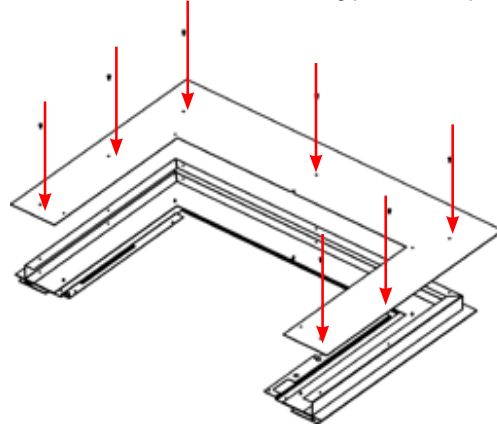


2. Install the outer faceplate and secure with 6 screws as shown. Route power cord through the inner and outer profile of faceplate

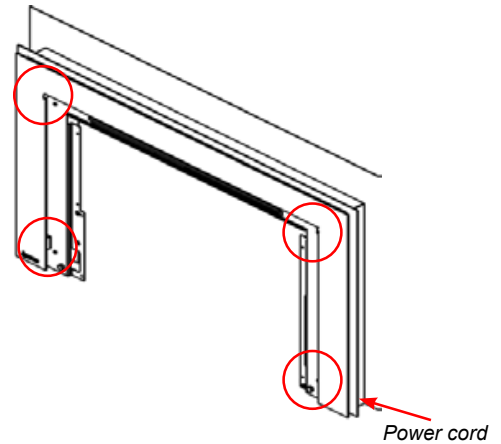


### Backing Plate Installation with Spacer

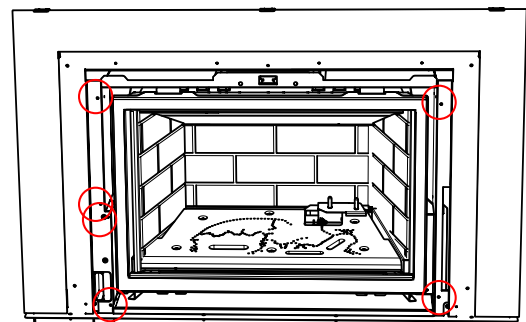
1. Secure backing plate to spacer trim with 7 screws in the locations shown below. Painted side of backing plate faces spacer trim.



2. Position backing plate and spacer trim against opening of surrounding unit then position outer plate in front. Route power cord through the inner and outer profile of faceplate on the right side. Install grommet and wire clip. Secure outer faceplate to spacer assembly with 4 screws as shown.



3. Install the outer faceplate and secure with 6 screws as shown.

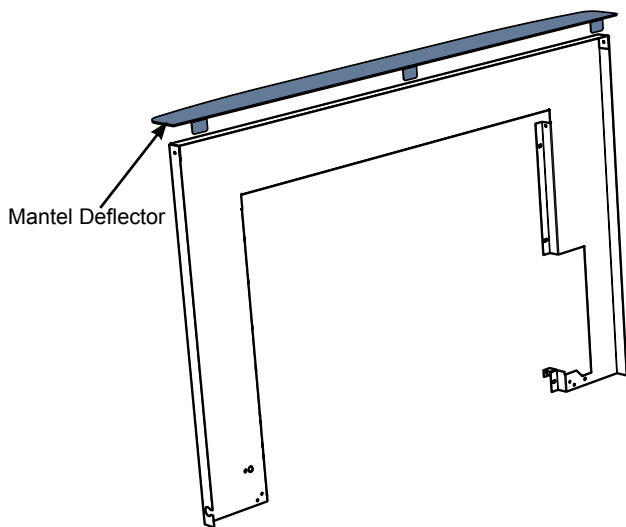


## OPTIONAL MANTEL DEFLECTOR INSTALLATION

### Low Profile Faceplate LRI4E/HRI4E Only

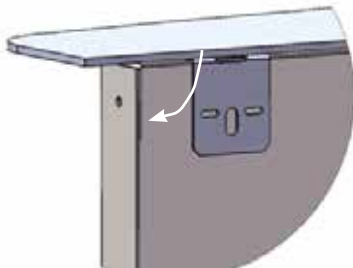
**Note:** A mantel deflector may be installed to reduce the minimum mantel height. Refer to minimum clearances in the installation manual.

1. Line up the mantel deflector (tabs to the back) with the Faceplate Backing Plate.



2. Bend all 3 tabs 90° to secure the deflector to the top of the backing plate. The tabs should be flush with the underside of the top lip of the back plate.

*Top of backing plate*

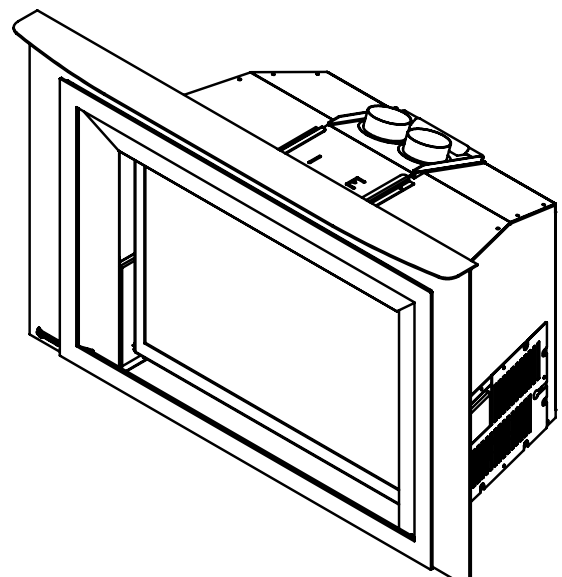
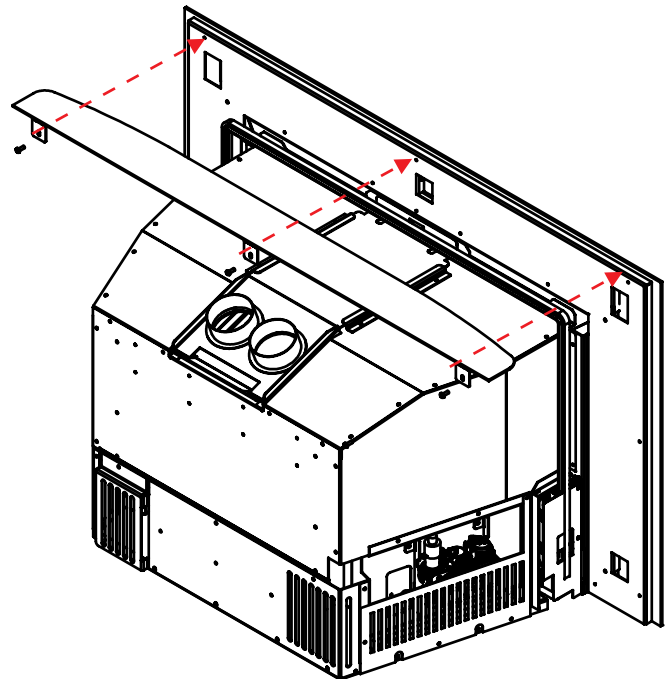


**Note:** Faceplate may be installed after the unit is in its final position.

### Vignette Faceplate

**Note:** A mantel deflector may be installed to reduce the minimum mantel height. Refer to minimum clearances in the installation manual.

1. Line up the mantel deflector (tabs to the back) with the Outer Faceplate. Secure in place with three screws prior to installing outer faceplate.



*Installed mantel deflector*

## OPTIONAL HEARTH TRIM INSTALLATION

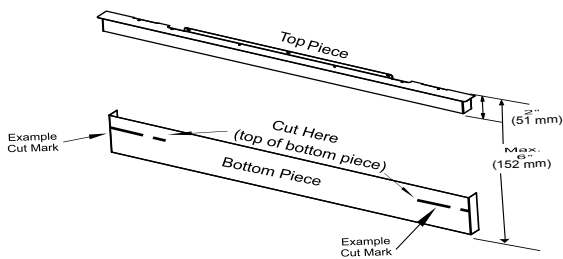
### Customizing the Hearth Trim:

The Hearth Trim can be adjusted to custom fit an installation by pulling apart the top piece from the bottom piece. Minimum height of the hearth trim is 2" and can be adjusted upto maximum 6".

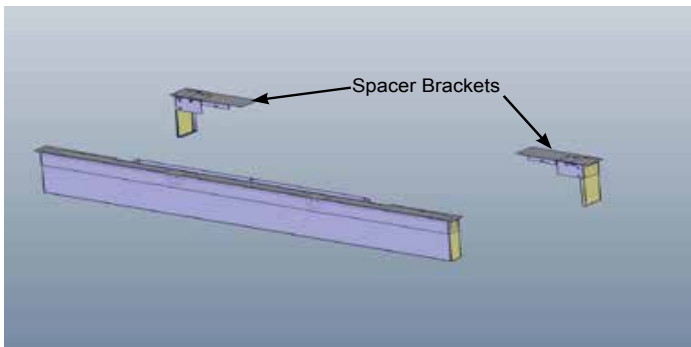
- 1) Cut the top of the bottom piece of the hearth trim to the appropriate height using a metal cutting blade.

NOTE: The tab bends at the back of the top piece of the hearth trim should be used as the measuring point to the hearth to measure the height required.

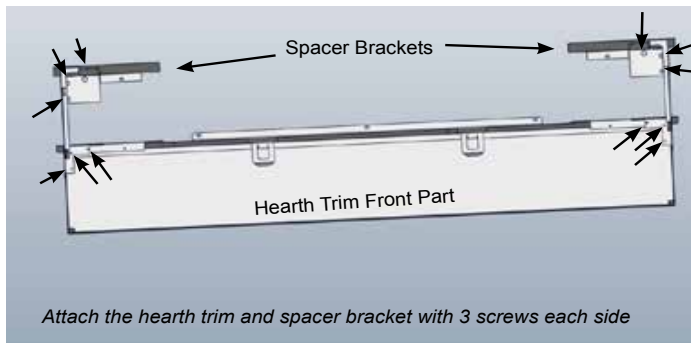
- 2) Reattach the top piece of the hearth trim to the cut bottom piece by fitting in place.



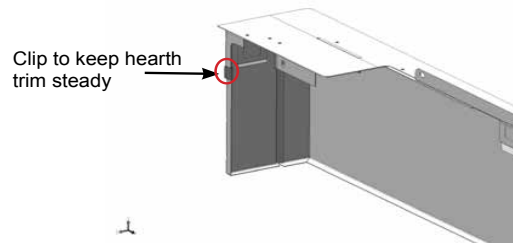
- 3) Similar to the front hearth trim, cut the top of the bottom piece of the spacer brackets to the appropriate height.



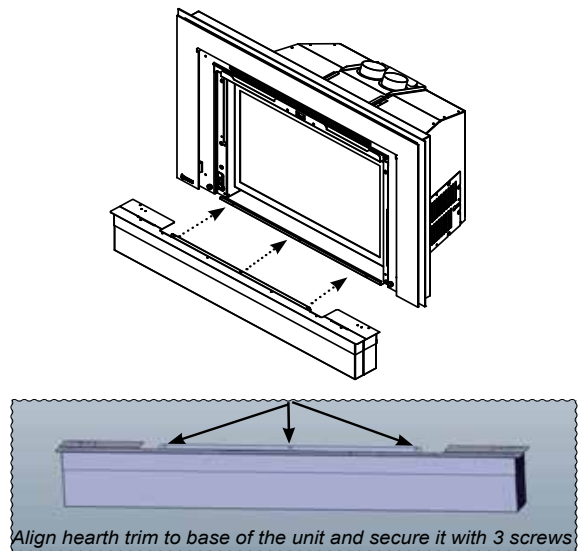
- 4) Attach the top and bottom part of the spacer brackets and then attach these spacer brackets to the assembled hearth trim with 3 screws.



- 5) Secure the hearth trim with a clip on its side to keep it steady as shown in the picture below .



- 6) Line up the hearth trim with base of the unit and secure it with 3 screws as shown below.





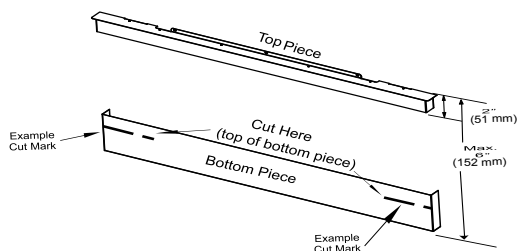
## OPTIONAL HEARTH TRIM INSTALLATION - VIGNETTE FACEPLATE WITHOUT SPACER

### Customizing the Hearth Trim

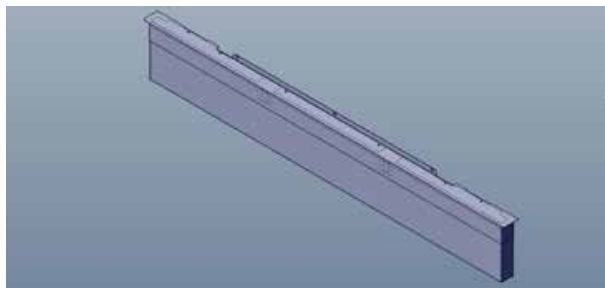
The Hearth Trim can be adjusted to custom fit an installation by pulling apart the top piece from the bottom piece. Minimum height of the hearth trim is 2" and can be adjusted upto maximum 6".

- 1) Discard the spacer brackets, as these are not required when installing the unit without spacer.
2. Cut the top of the bottom piece of the hearth trim to the appropriate height using a metal cutting blade.

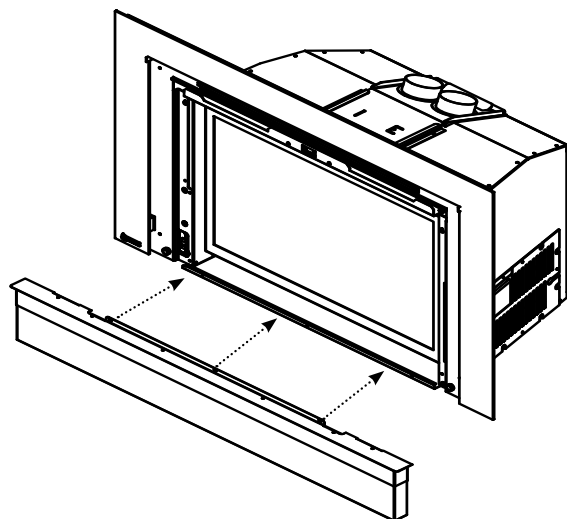
NOTE: The tab bends at the back of the top piece of the hearth trim should be used as the measuring point to the hearth to measure the height required.



- 3) Reattach the top piece of the hearth trim to the cut bottom piece by fitting in place.



- 4) Line up the hearth trim with base of the unit and secure it with 3 screws as shown below.



## OPERATING INSTRUCTIONS

Before operating this appliance, proceed through the following check list.

- 1) Read and understand these Instructions before operating this appliance.
- 2) Check to see that all wiring is correct and enclosed to prevent possible shock.
- 3) Check to ensure there are no gas leaks.
- 4) Make sure the glass door is in place. Never operate the appliance with the door glass removed.
- 5) Verify that all venting and the cap is unobstructed.
- 6) Verify log /glass crystal placement. If the pilot cannot be seen when lighting the unit - the logs / crystals, or the embers have been incorrectly positioned.
- 7) The unit should never be turned off and on again without a minimum of a 60 second wait.
- 8) When lighting the appliance, the inside of the glass may fog up. This will burn off after a few minutes of operation.

**DO NOT BURN THE APPLIANCE WITH THE GLASS DOOR REMOVED.**

## FIRST FIRE

The first fire in your stove is part of the paint curing process. To ensure that the paint is properly cured, it is recommended that you burn your fireplace for at least four (4) hours the first time you use it with the fan on. When first operated, the unit will release an odour caused by the curing of the paint, the burning off of any oils remaining from manufacturing. Smoke detectors in the house may go off at this time. Open a few windows to ventilate the room for a couple of hours.

The glass panel may require cleaning after the unit has cooled down.

### DO NOT ATTEMPT TO CLEAN THE GLASS WHILE IT IS HOT.

**Note:** When the glass is cold and the appliance is lit, it may cause condensation and fog the glass. This condensation is normal and will disappear in a few minutes as the glass heats up.

### DO NOT BURN THE APPLIANCE WITHOUT THE GLASS FRONT IN PLACE.

During the first few fires, a white film may develop on the glass front as part of the curing process. The glass should be cleaned or the film will bake on and become very difficult to remove. Use a non-abrasive cleaner and NEVER clean the glass while it is hot.

---

## AUTOMATIC CONVECTION FAN OPERATION

The fan operates automatically, turn the knob on the side of the faceplate to adjust to the desired speed. The fan will turn on as the stove comes up to operating temperature. After the unit has been turned off and the unit cooled to below a useful heat output range the fan will shut off automatically.

## LIGHTING PROCEDURE

**IMPORTANT:** The remote control system supplied with this appliance has several options for starting/operating the appliance using the power button and ON/OFF key on the hand held transmitter.

Prior to operating this appliance, please read the remote control operating instructions (packaged with remote control) to understand how to operate this remote control system. Option to download remote functions video with QR code below.



Proflame video

1. Ensure the wall switch/receiver is in the remote position. (see Diagram 1).

Set Switch to Remote

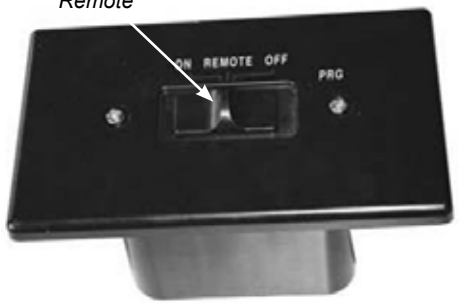


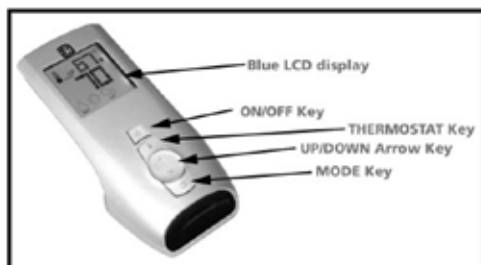
Diagram 1

2. Press and release the ON/OFF button on the remote handheld transmitter (see Diagram 2). An audible beep should be heard from the receiver.



Diagram 2

Remote shown in Manual Mode on Hi



3. After approximately 4 seconds the spark ignition system will spark for 60 seconds to light the main burner.

4. The unit will turn on.

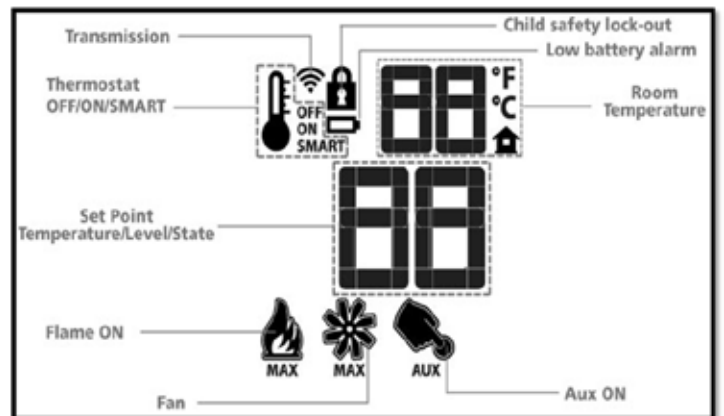
**Note:** The first try for ignition will last approximately 60 seconds. If there is no flame ignition (rectification) the board will stop sparking for approximately 35 seconds. After wait time, the board will start second try for ignition by sparking for approximately 60 seconds. If there is still no positive ignition the board will go into lock out.

The system will need to be reset as follows:

- a) Turn the system off using ON/OFF switch or press ON/OFF button - if using optional remote.
- b) After approximately 2 seconds turn on ON/OFF switch or press ON/OFF button if using optional remote.
- c) Repeat step 2.

## SHUTDOWN PROCEDURE

- 1) Turn the wall mounted switch or remote to the "OFF" position.
- 2) If service is to be performed—you must disconnect power and shut off gas to the unit.



## NORMAL OPERATING SOUNDS OF GAS APPLIANCES

It is possible that you will hear some sounds from your gas appliance. This is perfectly normal due to the fact that there are various gauges and types of steel used within your appliance. Listed below are some examples. All are **normal operating sounds** and should not be considered as defects in your appliance.

### Blower:

Regency gas appliances use high tech blowers to push heated air farther into the room. It is not unusual for the fan to make a "whirring" sound when ON. This sound will increase or decrease in volume depending on the speed setting of your fan speed control.

### Burner Tray:

The burner tray is positioned directly under the burner tube(s) and logs and is made of a different gauge material from the rest of the firebox and body. Therefore, the varying thicknesses of steel will expand and contract at slightly different rates which can cause "ticking" and "cracking" sounds. You should also be aware that as there are temperature changes within the unit these sounds will likely re-occur. Again, this is normal for steel fireboxes.

### Blower Thermodisc:

When this thermally activated switch turns ON it will create a small "clicking" sound. This is the switch contacts closing and is normal.

### Pilot Flame:

While the pilot flame is on it can make a very slight "whisper" sound.

### Gas Control Valve:

As the gas control valve turns ON and OFF, a dull clicking sound may be audible, this is normal operation of a gas regulator or valve.

### Unit Body/Firebox:

Different types and thicknesses of steel will expand and contract at different rates resulting in some "cracking" and "ticking" sounds will be heard throughout the cycling process.

## COPY OF LIGHTING INSTRUCTION PLATE

FOR YOUR SAFETY READ BEFORE LIGHTING	
<p>This appliance must be installed in accordance with local codes, if any; if none, follow the National Fuel Gas Code, ANSI Z223.1/NFPA 54, or Natural Gas and Propane Installation Codes, CSA B149.1.</p>	
<p><b>WARNING:</b> If you do not follow these instructions exactly, a fire or explosion may result causing property damage, personal injury or loss of life. Improper installation, adjustment, alteration, service or maintenance can cause injury or property damage. Refer to the owner's information manual provided with this appliance. For assistance or additional information consult a qualified installer, service agency or gas supplier.</p> <p><b>AVERTISSEMENT:</b> Quiconque ne respecte pas à la lettre les instructions dans la présente notice risque de déclencher un incendie ou une explosion entraînant des dommages, des blessures ou la mort.</p> <p>Une installation, d'ajustement, de modification, de service ou d'entretien peut provoquer des blessures ou des dommages matériels. Reportez-vous au manuel du propriétaire de l'information fournie avec cet appareil. Pour obtenir de l'aide ou des informations supplémentaires consulter un installateur qualifié, une agence de service ou fournisseur de gaz.</p>	
<p>A) This appliance is equipped with an ignition device which automatically lights the pilot. Do not try to light the pilot by hand.</p> <p>B) <b>BEFORE OPERATING</b> smell all around the appliance area for gas. Be sure to smell next to the floor because some gas is heavier than air and will settle on the floor.</p> <p style="text-align: center;"><b>WHAT TO DO IF YOU SMELL GAS</b></p> <ul style="list-style-type: none"> <li>- Do not try to light any appliance.</li> <li>- Do not touch any electric switch, do not use any phone in your building.</li> <li>- Immediately call your gas supplier from a neighbour's phone. Follow the gas supplier's instructions.</li> <li>- If you cannot reach your gas supplier, call the fire department.</li> </ul> <p>C) Do not use this appliance if any part has been under water. Immediately call a qualified service technician to inspect the appliance and replace any part of the control system and any gas control which has been underwater.</p>	
<p>A) Cet appareil est muni d'un dispositif d'allumage qui allume automatiquement la veilleuse. Ne tentez pas d'allumer la veilleuse manuellement.</p> <p>B) <b>AVANT DE FAIRE FONCTIONNER</b>, reniflez tout autour de l'appareil pour détecter une odeur de gaz. Reniflez près du plancher, car certains gaz sont plus lourds que l'air et peuvent s'accumuler au niveau du sol.</p> <p style="text-align: center;"><b>QUE FAIRE SI VOUS SENTEZ UNE ODEUR DE GAZ :</b></p> <ul style="list-style-type: none"> <li>• Ne pas tenter d'allumer d'appareil</li> <li>• Ne touchez à aucun interrupteur; ne pas vous servir des téléphones se trouvant dans le bâtiment.</li> <li>• Appelez immédiatement votre fournisseur de gaz depuis un voisin. Suivez les instructions du fournisseur.</li> <li>• Si vous ne pouvez rejoindre le fournisseur, appelez le service des incendies</li> </ul> <p>C) N'utilisez pas cet appareil s'il a été plongé dans l'eau, même partiellement. Faites inspecter l'appareil par un technicien qualifié et remplacez toute partie du système de contrôle et toute commande qui ont été plongés dans l'eau.</p>	
<p><b>CAUTION: Hot while in operation. Do not touch. Severe Burns may result. Due to high surface temperatures keep children, clothing and furniture, gasoline and other liquids having flammable vapors away. Keep burner and control compartment clean. See installation and operating instructions accompanying appliance.</b></p>	
LIGHTING INSTRUCTIONS	
<p>1) Ensure the wall switch/receiver is in the remote position.</p> <p>2) Press and release the ON/OFF button on the remote handheld transmitter. An audible beep should be heard from the receiver.</p> <p>3) After approximately 4 seconds the spark ignition system will spark for 60 seconds to light the main burner.</p> <p>4) The unit will turn on.</p> <p>Note: The first attempt to ignition will last approximately 60 seconds. If there is no flame ignition (rectification) the board will stop sparking for approximately 35 seconds. After this wait time, the board will start a second try for ignition by sparking for approximately 60 seconds. If there is still no positive ignition after the second attempt the board will go into lock out.</p> <p>The system will need to be reset as follows (after going into lock out mode):</p> <ol style="list-style-type: none"> <li>a) Wait 5 minutes - turn the system off using ON/OFF switch or press ON/OFF button if using remote</li> <li>b) After approximately 2 seconds turn on ON/OFF switch or press ON/OFF button if using remote.</li> <li>c) Unit will repeat step 2.</li> </ol> <p>1) S'assurer que l'interrupteur mural/récepteur soit en position télécommande.</p> <p>2) Appuyer sur la touche ON/OFF de la télécommande et relâcher. Un bip sonore se fera entendre depuis le récepteur</p> <p>3) Après environ 4 secondes, le système d'allumage des étincelles pendant 60 secondes pour allumer le brûleur principal.</p> <p>4) Les flammes s'allumeront.</p> <p>Remarque : Au premier allumage, le système tente d'allumer les flammes pendant 60 secondes. Si l'essai est infructueux, le système fait une pause de 35 secondes. C'est ce qu'on appelle l'étape de rectification. Ce délai écoulé, le système tente à nouveau d'allumer les flammes en produisant des étincelles pendant 60 secondes. Si les flammes ne s'allument toujours pas, le système se met en mode verrouillage. Il faut alors le réinitialiser en suivant les étapes ci-dessous (pour le déverrouiller) :</p> <ol style="list-style-type: none"> <li>a) Attendre 5 minutes et éteindre l'appareil en réglant l'interrupteur à la position « OFF »;</li> <li>b) Attendre 2 secondes et rallumer le système à l'aide de l'interrupteur ou de la télécommande.</li> <li>c) L'unité répétera l'étape 2.</li> </ol>	
TO TURN OFF GAS APPLIANCE	
<p>1) Turn the wall mounted switch or remote to the "OFF" position.</p> <p>2) If service is to be performed—you must disconnect power and shut off gas to the unit.</p> <p>1) Utilisez l'interrupteur murale ON/OFF du Brûleur ou du contrôle à distance pour éteindre le brûleur.</p> <p>2) Si le service est effectuée—vous devez débrancher l'alimentation et coupez le gaz à l'unité.</p>	
DO NOT REMOVE THIS INSTRUCTION PLATE	
919-401a	

## MAINTENANCE INSTRUCTIONS

- 1) Always turn the gas valve to off before cleaning. For relighting, refer to lighting instructions. Keep the burner and control compartment clean by brushing and vacuuming at least once a year. When cleaning the logs, use a clean soft paint brush as the logs are fragile and easily damaged.
- 2) Clean (never when unit is hot) appliance, door and louvers with a damp cloth. Never use an abrasive cleaner. The gold louvers (and optional gold door) may be scratched if abrasives are used to clean them.  
The heater is finished in a heat resistant paint and should only be refinished with heat resistant paint (not with wall paint). Regency uses StoveBrite Paint - Metallic Black #6309.
- 3) Make a periodic check of burner for proper position and condition. Visually check the flame of the burner periodically, making sure the flames are steady; not lifting or floating. If there is a problem, call a qualified service person.
- 4) The appliance and venting system must be inspected before use, and at least annually, by a qualified field service person, to ensure that the flow of combustion and ventilation air is not obstructed.  
During the annual service call, the burners should be removed from the burner tray and cleaned. Replace the embers but do not block the pilot.
- 5) Keep the area near the appliance clear and free from combustible materials, gasoline and other flammable vapours and liquids
- 6) Each time the appliance is lit, it may cause condensation and fog the glass. This condensation and fog is normal and will disappear in a few minutes as the glass heats up.  
  
**Never operate the appliance without the glass properly secured in place or with the door open.**
- 7) Do not use this appliance if any part has been under water. Immediately call a qualified service technician to inspect the appliance and to replace any part of the control system and any gas control which has been under water.
- 8) Periodically check the pilot flames. Correct flame pattern has three strong blue flames: 1 flowing around the thermopile and 1 around the thermocouple, and 1 flowing across the rear of the burner (it does not have to be touching the burner).

**WARNING: CHILDREN AND ADULTS SHOULD BE ALERTED TO THE HAZARDS OF HIGH SURFACE TEMPERATURE AND SHOULD STAY AWAY TO AVOID BURNS OR CLOTHING IGNITION. YOUNG CHILDREN SHOULD BE CAREFULLY SUPERVISED WHEN THEY ARE IN THE SAME ROOM AS THE APPLIANCE.**

**CAUTION: ANY SAFETY SCREEN OR GUARD REMOVED FOR SERVICING AN APPLIANCE MUST BE REPLACED PRIOR TO OPERATING THE APPLIANCE.**

**CLOTHING OR OTHER FLAMMABLE MATERIAL SHOULD NOT BE PLACED ON OR NEAR THE APPLIANCE.**



Glass Door Cleaning & Removal

## DOOR GLASS

Your Regency insert is supplied with high temperature, Neoceram ceramic glass that will withstand the highest heat that your unit will produce. If your glass requires cleaning, we recommend using an approved glass cleaner available at all authorized dealers. Do not use abrasive materials. Do not clean the glass when hot.

In the event that you break your glass by impact, purchase your replacement from an authorized Regency dealer only, and follow our step-by-step instructions for replacement.

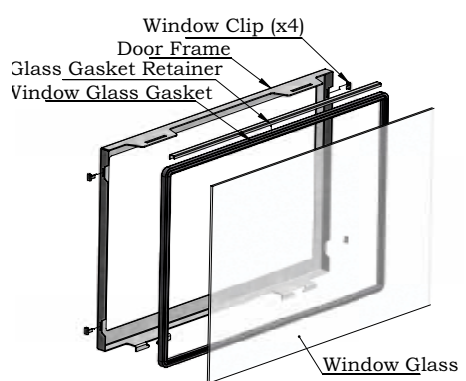
**Warning: Do not operate appliance with glass panels removed, cracked or broken. Replacement of the glass should be done by a licensed or qualified service person.**

### CAUTION & WARNINGS:

- \* Do not clean when the glass is hot.
- \* The use of substitute glass will void all product warranties.
- \* Care must be taken to avoid breakage of the glass.
- \* Do not strike or abuse the glass.
- \* Do not operate this fireplace without the glass front or with a cracked or broken glass front.
- \* Wear gloves when removing damaged or broken glass.
- \* Replacement of the glass panel(s) should be done by a licensed or qualified service person.

### GLASS REPLACEMENT

In the event that you break your glass by impact, purchase your replacement from an authorized Regency® dealer only. Replacement Neoceram glass (#940-371/P) is shipped with a gasket.

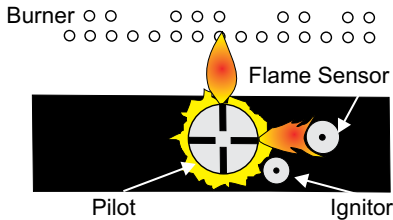


Door Components



## PILOT ADJUSTMENT

Periodically check the pilot flames. Correct flame pattern has two strong blue flames: 1 flowing around the flame sensor and 1 flowing across the burner (it does not have to be touching the burner).



**Note:** If you have an incorrect flame pattern, contact your Regency® dealer for further instructions.

Incorrect flame pattern will have small, probably yellow flames, not coming into proper contact with the rear burner or flame sensor.

## GENERAL VENT MAINTENANCE

Conduct an inspection of the venting system semi-annually. Recommended areas to inspect as follows:

- 1) Check the Venting System for corrosion in areas that are exposed to the elements. These will appear as rust spots or streaks, and in extreme cases, holes. These components should be replaced immediately.
- 2) Remove the Termination Cap, and shine a flashlight down the Vent. Remove any bird nests, or other foreign material.
- 3) Check for evidences of excessive condensation, such as water droplets forming in the inner liner, and subsequently dripping out the joints. Continuous condensation can cause corrosion of caps, pipe, and fittings. It may be caused by having excessive lateral runs, too many elbows, and exterior portions of the system being exposed to cold weather.
- 4) Inspect joints, to verify that no pipe sections or fittings have been disturbed, and consequently loosened. Also check mechanical supports such as Wall Straps, or plumbers' tape for rigidity.

---

## LOG REPLACEMENT

The unit should never be used with broken logs. Turn off the gas valve and allow the unit to cool before opening door to carefully remove the logs. The pilot light generates enough heat to burn someone. If for any reason a log should need replacement, you must use the proper replacement log. The position of these logs must be as shown in the diagram under Log Installation.

NOTE: Improper positioning of logs may create carbon build-up and will alter the unit's performance which is not covered under warranty.

---

## GLASS GASKET

If the glass gasket requires replacement use glass gasket for the Flush Front (Part # 936-112).

## GLASS CRYSTAL BURNER REMOVAL / INSTALLATION - HRI4E

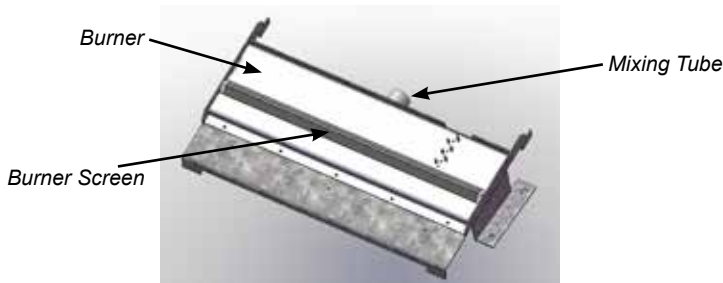
Disconnect unit from gas supply and allow unit to cool before removing burner.

### GLASS BURNER REMOVAL

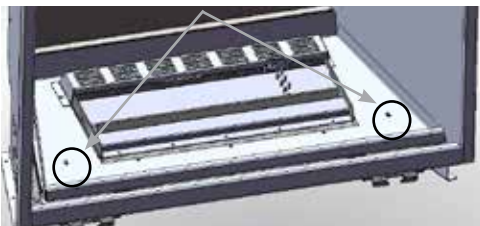
- 1) If already installed, removed glass crystals and ceramic spa stones.
- 2) Remove filler sections from right and left sides of burner. Discard filler section if enamel panels are to be installed - see below.



Filler section



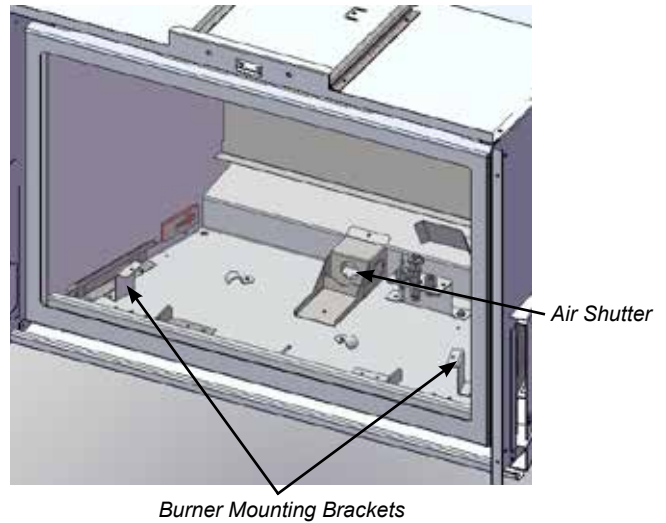
- 3) Remove the 2 screws as shown. Lift the burner with both hands.



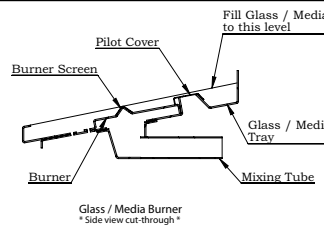
- 4) Pull gently upwards and outwards to the front of the firebox.
- 5) Continue onto burner installation.

### GLASS BURNER INSTALL

- 1) Lift the burner assembly with both hands. Point the mixing tube towards the rear of the firebox. Lean the rear of the burner assembly downward. Partially lift the burner assembly so that the mixing tube will then slide into the air shutter.
- 2) Lower the front edge of the burner assembly so that the burner front mounting tab rests on the burner mounting bracket left and right, near the front of the firebox. These tabs will not line up unless the mixing tube is inside the air shutter at the rear of the firebox.

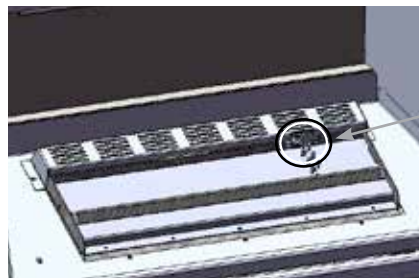


**Care must be taken when installing the burner into the firebox. Do not damage, knock or scrap the pilot assembly. The flame sensor and ignition lead are fragile and can be damaged easily.**



- 3) Place the Burner Cover Screen over the Burner Ports. Place the Pilot Cover over the rear gap between the Burner and the Media Tray. This will sit around the Pilot Provision.
- 4) Distribute the glass crystals throughout the Media Tray. The media should be level with the side of the Media Tray.

**\*\* Do not to install glass or other media over or in front of the Pilot Provision as shown.**



**Important:** Do not to install glass or other media in this area, as this will black the path of the pilot to the burner.

## LRI4E CERAMIC BURNER REMOVAL / INSTALLATION

### REMOVAL

- 1) Remove left/right filler sections - see below.  
Discard fillers only if inner panels are being installed.



Left /right filler sections.

- 2) Remove burner by removing left and right screws off the burner bracket.



- 3) Lift the Burner slightly while pulling forward to clear the mixing tube.

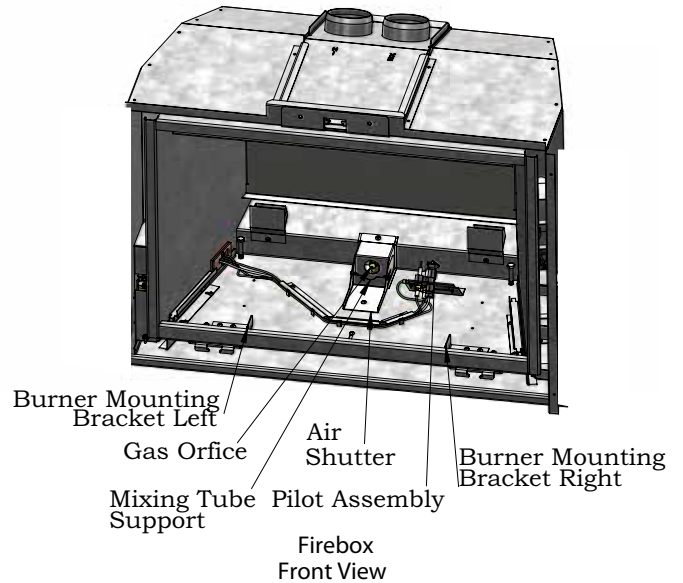


- 4) To install - reverse Steps 3-2, see Step 1 for correct installation tips.

### INSTALLATION

Care must be taken when installing the burner into the firebox. Do not damage, knock or scrape the pilot assembly. The flame sensor and ignition lead are fragile and can be damaged easily.

\*Satin black paint is included if touch ups are required.



#### Important Note:

A correctly installed burner - the burner is back far enough, lower the front edge so that the front flange of the burner (underneath) sits down into the grooves in the burner mounting brackets Left and Right. There will be a small gap between the Ceramic Burner and the firebox Bottom Flange. The Burner should be situated about 1/4" (6mm) inside the front edge of the firebox.



## FAN MAINTENANCE - WITH GTMF REMOTE CONTROL

**Note:** To access the side and rear access panels both the gas and venting will need to be disconnected (see vent/flue installation in this manual) for proper removal.  
There is no access to the blower from the front of this appliance.

**Before you begin:**  
**Shut off the gas supply to the unit.**  
**Disconnect all electrical supply to the unit.**  
**Always let the appliance cool to room temperature before servicing.**

1. Remove 7 screws and loosen 4 screws along the bottom to remove fan access panel - see Diagram 1a  
 Remove 4 screws to remove side access panel - see Diagram 1b  
 ○ = Remove  
 □ = Loosen

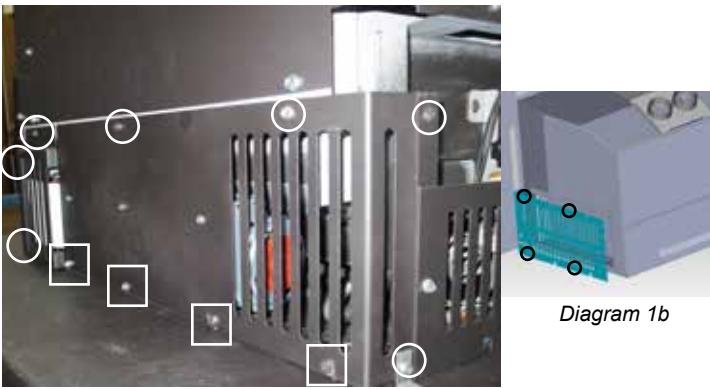


Diagram 1a

2. Disconnect the fan wire harness through the rear panel. Disconnect 2 x 1/4" spade connectors to the fan terminals. Disconnect the ground lug to the fan using the screw provided.

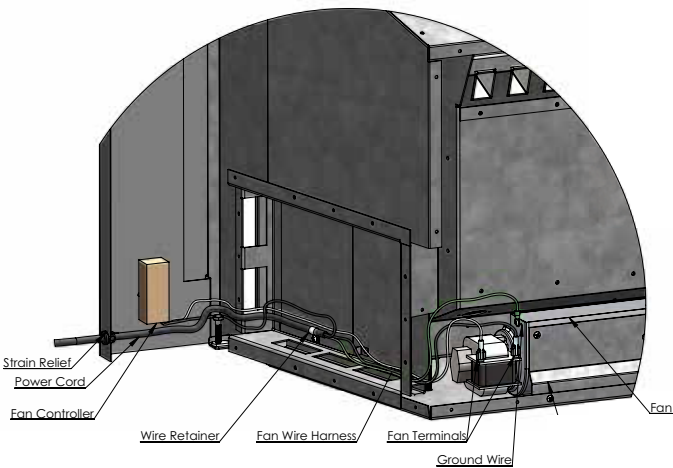


Diagram 2

3. Remove fan and fan access panel from unit.



Diagram 3

4. Remove fan from back access panel by removing 3 screws from the outside of fan access panel.
5. To install - reverse steps.

**WARNING**  
**Electrical Grounding Instructions**  
 This appliance is equipped with a three-prong (grounding) plug for your protection against shock hazard and should be plugged directly into a properly grounded three-prong receptacle. Do not cut or remove the grounding prong from this plug.



## VALVE REPLACEMENT

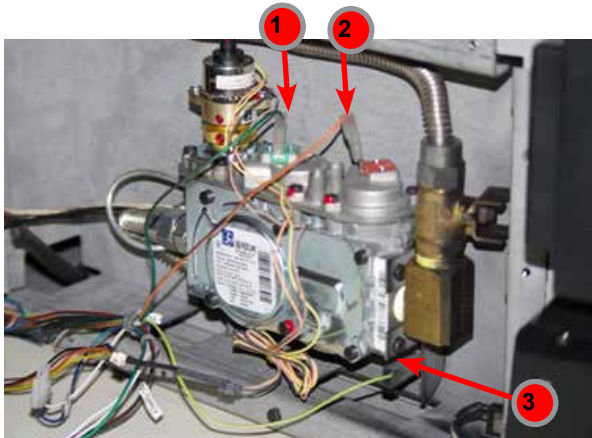
**Before you begin:**

\* Shut off the gas supply to the unit.  
Disconnect all electrical supply to the unit.

Always let the appliance cool to room temperature before servicing.

Remove unit flue collars.

- 1) Remove the Left Control Panel Cover.
- 2) Disconnect 3 wires (EV1, EV2 and ground) leading to the valve as shown below.



- 3) Disconnect the Pressure Regulator cable.



- 4) Disconnect the Gas Orifice supply line from the outlet of the Gas Valve.



- 5) Disconnect the Pilot Supply Line from the Gas Valve



- 6) Disconnect the Gas Supply Line from the On/Off Safety Shut off Valve.



- 7) Remove both Screws that secure the Gas Valve Mounting brackets, both sides.





8) Remove the Gas Valve by lifting upwards and outwards.



9) Secure the Valve Assembly by the 90 Elbow Fitting in a sturdy table vice. Using a crescent wrench, loosen the valve from the Elbow fitting.

\*\* Do not place the valve in the vice by any other method than what is shown. Holding the Valve in the vice will damage the Gas Valve and may cause malfunction. \*\*



10) Remove the 2 screws that hold the Right Side Valve Mounting Bracket onto the Valve.



11) There is a provision in the Valve body casting that is designed to be used as a gripping point for assembly with other components. This is the portion of the valve that can be placed in a machine vice.



12) Place the Gas Valve into the machine vice using the provision as described above. Do not over tighten the vice. Remove the Flare Fitting from the gas outlet side of the valve.



13) Remove the 2 screws that secure the left side valve mounting bracket from the gas valve.

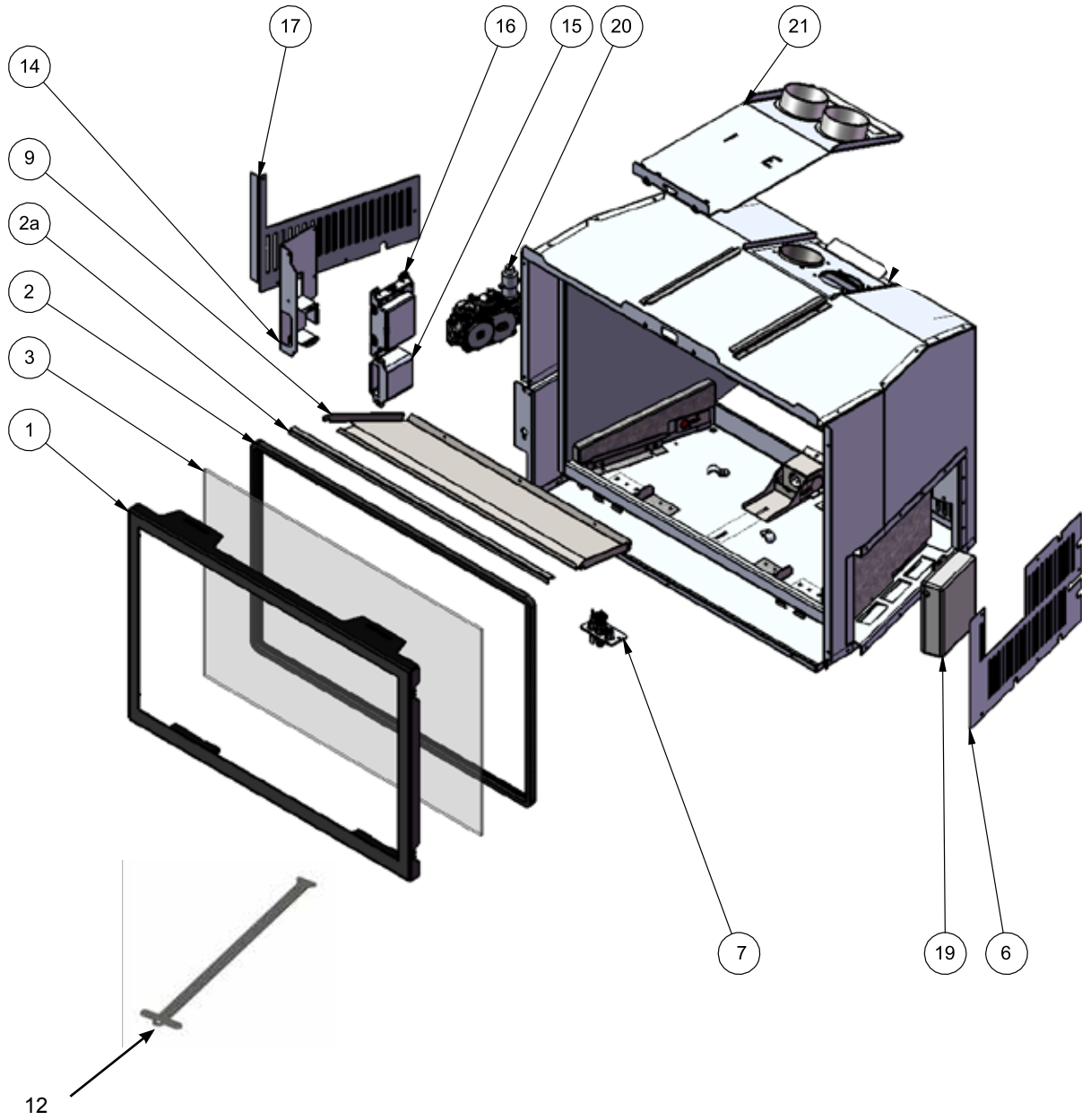


14) Replace the gas valve with the new unit and re-assemble by reversing disassembly steps 2-13.

15) Reconnect the gas and electrical supply to the unit. Once the unit has been re-fired, use a soapy water mixture to check all fittings and gas supply lines for gas leaks.

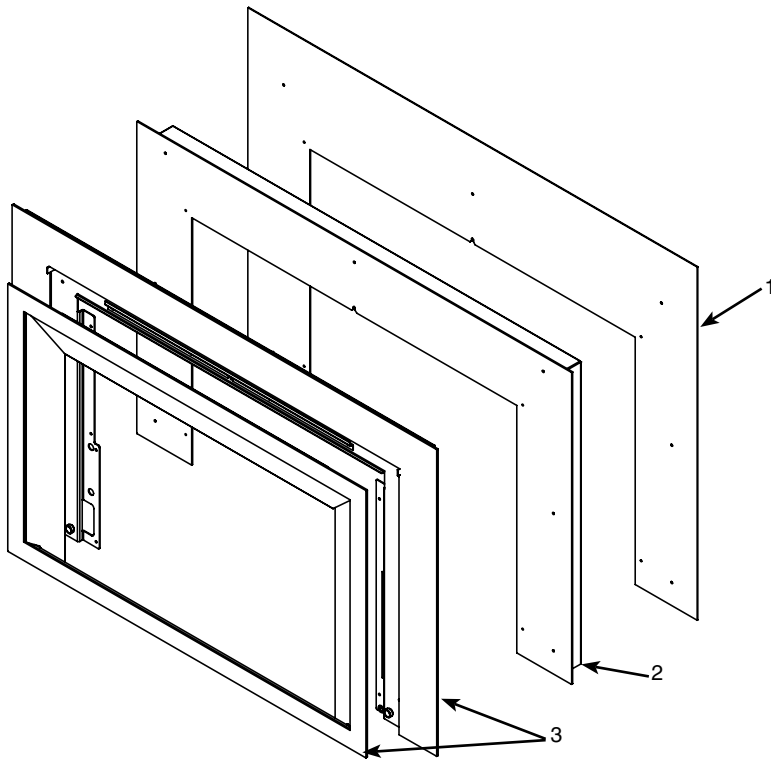
**MAIN ASSEMBLY**

	<b>Part #</b>	<b>Description</b>		<b>Part #</b>	<b>Description</b>
1	399-121	Door Frame	*	904-943	Orifice mount
2	936-159	Window Gasket (sold per ft)		396-032	Air Shutter
2a	396-112	Window Gasket Retainer		396-033	Burner Mounting Bracket
3	940-371/P	Glass / includes gasket		396-116	Orifice Mounting Gasket
*	396-045	Burner Mounting Bracket Right	*	396-513	Bottom Door Latch Assy
*	396-111	Burner End Right	*	904-946	NG orifice #37
6	399-117	Control Cover		904-947	LP orifice #53
7	911-139	Pilot Assembly NG SIT	*	396-125	Pilot Shield
	911-140	Pilot Assembly LP SIT	*	396-046	Burner Mounting Bracket - L
	910-100	Pilot Orifice - NG	*	396-113	Pilot Line Cover
	910-101	Pilot Orifice - LP	*	904-691	Glass Clip Retainer (ea)
*	396-111	Burner End Right	*	911-013	Proflame Wire Harness w/ IPI/IPI Switch
9	396-010	Exhaust Baffle	*	911-080	Wire harness w/40" extension
*	396-101	Light Cover	*	397-969	LP Conversion Kit
12	396-042F	Slide Tool	*	399-930	Ceramic Log Kit (6 pc)
*	416-535	Flue Connector Plate Assy	*	399-530	Ceramic Burner
15	910-572	Receiver	*	396-901	Brick Panels - Brown
16	911-012	Proflame DFC board	*	396-902	Brick Panels - Red
17	399-125	Control Cover (L)	*	396-903	Brick Panels - Black
*	904-165	Connector 3/8"MPT - 3/8"Flare	*	396-908	Enamel Panels
19	911-030	Fan Control Module	*	396-525	Glass Burner Assembly
20	911-084	Valve NG 885	*	Various	Glass Crystals
	911-085	Valve LP 885	*	396-094	Glass Tray
	396-574/P	Valve assembly NG	*	396-091	Pilot Cover
	396-576/P	Valve assembly LP	*	399-100	Mesh Screen
*	911-111	Flame sense	*	904-790	Magnets (ea)
*	911-110	Flame Electrode		919-380	Manual
*	911-039	Pilot Hood	*	911-071/P	Fan Motor Only
*	911-127	Battery Compartment Door	*	911-149	Fan Thermodisc
*	910-591	Pilot tube w/nuts	*	911-030	Fan Control Module
21	399-523	Flush Front Flue Adaptor Plate	*	910-592	Remote Control (Hand held) GTMF
*	396-023	Control Cover	*	904-943	Gas supply line (outlet to burner orifice)
*	904-944	90° elbow 3/8"MPT-3/8"Flare	*	911-093	10 ft. extension cord
*	911-012	Ignition board SIT IPI	*	911-137	Pilot Hood Holding Clip
*	910-572	SIT Proflame receiver	*		Part Not Shown
*	911-074	Pilot Assy Ground Wire			
*	396-043	Firebox Liner Retainers			
*	396-114	Burner End - L			



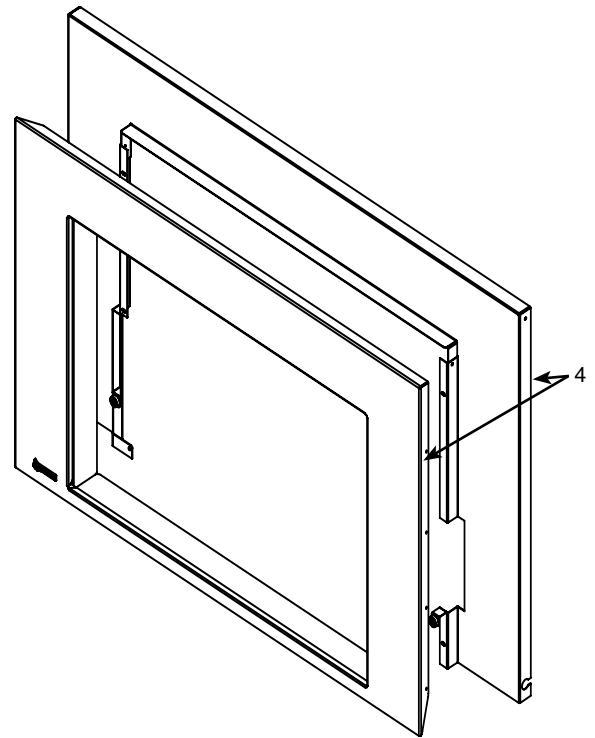
### VIGNETTE FACEPLATE

Part #	Description
1	399-957 Backing Plate Accent Trim
	399-958 Backing Plate Accent Trim - Custom
2	399-956 Spacer Accent - Black
3	399-914 Vignette - Metallic Black (2 piece)
	399-912 Vignette - Platinum (2 piece)
	399-913 Vignette - Chrome (2 piece)
	399-916 Vignette - Tuscan Sunset (2 piece)



### LOW PROFILE FACEPLATE

Part #	Description
4	399-922 3 sided low profile faceplate-Sunset Bronze (2 piece)
	399-924 3 sided low profile faceplate - Metallic Black (2 piece)
	399-982 Oversized faceplate - Sunset Bronze (2 piece)
	399-984 Oversize faceplate - Metallic Black (2 piece)
	399-926 4 sided faceplate (custom sizes) - Metallic Black



Part #	Description (Parts Not Show)
399-918	Vignette Door Inlay Black Chrome
399-919	Vignette Door Inlay Metallic Black
399-920	Vignette Door Inlay Tuscan Sunset
399-928	Faceplate Custom 3-Sided Low Profile
399-938	Vignette Deco Inlay Black Chrome
399-939	Vignette Deco Inlay Metallic Black
399-940	Vignette Deco Inlay Tuscan Sunset
399-944	Double Door Metallic Black
399-950	Mantel Deflector

Part #	Description (Parts Not Show)
399-952	Hearth Trim 2 in
399-953	Hearth Trim 2 in (No Spacer)
399-954	Hearth Trim 4 in
399-955	Hearth Trim Adjustable
399-959	Backing Plate Custom 4-Sided Vignette
399-988	Vignette Craftsman Inlay Black Chrome
399-989	Vignette Craftsman Inlay Metallic Black
399-990	Vignette Craftsman Inlay Tuscan Sunset







Regency® Fireplace Products are designed with reliability and simplicity in mind. In addition, our internal Quality Assurance Team carefully inspects each unit thoroughly before it leaves our facility. Regency® Fireplace Products is pleased to extend this limited lifetime warranty to the original purchaser of a Regency® Product. This warranty is not transferable.

**The Warranty: Limited Lifetime:**

The combustion chamber, heat exchanger, burner tubes/pans, logs, glass crystals, glass beads, ceramic spa stones, pebbles, brick panels and gold plating (against defective manufacture only) are covered under the Limited Lifetime Warranty for five (5) years for parts and subsidized labour\* and parts only thereafter.

Glass is covered for lifetime against thermal breakage only, parts and subsidized labour\* for five (5) years and parts only thereafter from date of purchase.

External casting, surrounds and grills are covered against cracks and warps resulting from manufacturer defects, parts and subsidized labour\* for three (3) years from the date of purchase and parts only thereafter.

Special Finishes - One year on stainless steel panels, enamel panels, Verona glass surrounds, stainless steel inner/outer door frames, inlays, nickel overlays, nickel faceplates, brushed nickel and antique copper full screens and doors. You can expect some changes in color as the product "ages" with constant heating and cooling. Regency® warrants the product for any manufacturing defects on the original product. However, the manufacturers warranty does not cover changing colors and marks, i.e., finger prints, etc. applied after the purchase of the product. Damage from the use of abrasive cleaners is not covered by warranty.

Electrical and mechanical components such as blowers, fan motors, switches, wiring, thermodiscs, Regency® remote controls, spill switches, thermopiles, thermocouples, pilot assembly, Flame sensors, electrodes, fan control modules, IFC/DFC fireplace controls, AC adaptors, and gas valves are covered for two years parts and one year subsidized labour\* from the date of purchase. Blowers and valves replaced under warranty are considered repairs and continue as if new with appliance. i.e. twelve (12) months from original purchase date of appliance with a minimum of three (3) months coverage from date of replacement.

Regency® venting components are covered parts and subsidized labour\* for three (3) years from date of purchase.

Simpson Dura-Vent venting components (Direct Vent units) are covered by Simpson Dura-Vent Inc. Warranty.

Repair/replacement parts purchased by the consumer from Regency® after the original coverage has expired on the unit will carry a 90 day warranty, valid with a receipt only. Any item shown to be defective will be repaired or replaced at our discretion. No labor coverage is included with these parts.

**Conditions:**

Any part or parts of this unit which in our judgement show evidence of such defects will be repaired or replaced at Regency's option, through an accredited distributor or agent provided that the defective part be returned to the distributor or agent Transportation Prepaid, if requested.

Porcelain/Enamel - Absolute perfection is neither guaranteed nor commercially possible. Any chips must be reported and inspected by an authorized dealer within three days of installation. Reported damage after this time will be subject to rejection.

It is the general practice of Regency® to charge for larger, higher priced replacement parts and issue credit once the replaced component has been returned to Regency® and evaluated for manufacturer defect.

The authorized selling dealer is responsible for all in-field service work carried out on your Regency® product. Regency® will not be liable for results or costs of workmanship from unauthorized service persons or dealers.

At all times Regency® reserves the right to inspect product in the field which is claimed to be defective.

All claims must be submitted to Regency® by authorized selling dealers. It is essential that all submitted claims provide all of the necessary information including customer name, purchase date, serial #, type of unit, problem, and part or parts requested, a copy of the bill of sale/proof of purchase must also accompany any submitted claims, without this information the warranty will be invalid.

**Exclusions:**

This limited Lifetime Warranty does not extend to or include paint, batteries, volcanic stones, lava embers, rockwool, door handles, platinum embers, embaglow embers, door or glass gasketing or trim.

At no time will Regency® be liable for any consequential damages which exceed the purchase price of the unit. Regency® has no obligation to enhance or modify any unit once manufactured. i.e., as products evolve, field modifications or upgrades will not be performed.

Regency® will not be liable for travel costs for service work.

Installation and environmental problems are not the responsibility of the manufacturer and therefore are not covered under the terms of this warranty policy.

Any unit which shows signs of neglect or misuse is not covered under the terms of this warranty policy.

The warranty will not extend to any part which has been tampered with or altered in any way, or in our judgment has been subject to misuse, improper installation, negligence or accident, spillage or down drafts caused by environmental or geographical conditions, inadequate ventilation, excessive offsets, negative air pressure caused by mechanical systems such as furnaces, fans, clothes dryer, etc.

It is the responsibility of the home owner to service and maintain the appliance. If any claims are sent to FPI, you may be asked for service records to ensure the appliance has been maintained. Retain all receipts for both service and/or parts which may have been replaced. Lack of service/maintenance is the largest contributor to malfunction of an appliance and is not covered under the terms of this warranty.

Freight damage to stoves and replacement parts is not covered by warranty and is subject to a claim against the freight carrier by the dealer.

Regency® will not be liable for acts of God, or acts of terrorism, which cause malfunction of the appliance.

Performance problems due to operator error will not be covered by this warranty policy.

Products made or provided by other manufacturers and used in conjunction with the operation of this appliance without prior authorization from Regency®, may nullify your warranty on this product.

Malfunction/damage of this appliance due to mother nature (wind, rain, snow, floods, etc.) is not covered under the terms of this warranty policy. Some minor expansion, contraction, or movement of certain parts and resulting noise, is normal and not a defect and therefore not covered under this Limited Warranty.

If the appliance has been operated in atmospheres contaminated by chlorine, fluorine, or other damaging chemicals, it will not be covered under this Limited Warranty.

Any alteration to the unit which causes sooting or carboning that results in damage to the interior/exterior facia is not the responsibility of Regency®.

\* Subsidy according to job scale as predetermined by FPI.

# Register your Regency® warranty online [www.regency-fire.com](http://www.regency-fire.com)

## Reasons to register your product online today!

- View and modify a list of all your registered products.
- Request automatic email notification of new product updates.
- Stay informed about the current promotions, events, and special offers on related products.

***Installer: Please complete the following information***

**Dealer Name & Address:** \_\_\_\_\_  
\_\_\_\_\_

**Installer:** \_\_\_\_\_

**Phone #:** \_\_\_\_\_

**Date Installed:** \_\_\_\_\_

**Serial No.:** \_\_\_\_\_



*Liberty LRI4E*



*Horizon HRI4E*