

Specifications:

| Model | HZ30E-NG | HZ30E-LP |
|---|---------------------------|---------------------------|
| Fuel Type | Natural Gas | Propane Gas |
| Minimum Supply Pressure | 5" W.C. (1.25 kPa) | 11" W.C. (2.74 kPa) |
| Manifold Pressure - High | 3.5" W.C. (0.87 kPa) | 10" W.C. (2.49 kPa) |
| Orifice Size | #50 DMS | #57 DMS |
| Maximum Input Altitude 0-4500 ft. (0-1372m) | 14,000 BTU/h (3.81 kW) | 13,000 BTU/h (3.81 kW) |
| Vent Sizing | 4" Inner 6 7/8" Outer | 4" Inner 6 7/8" Outer |

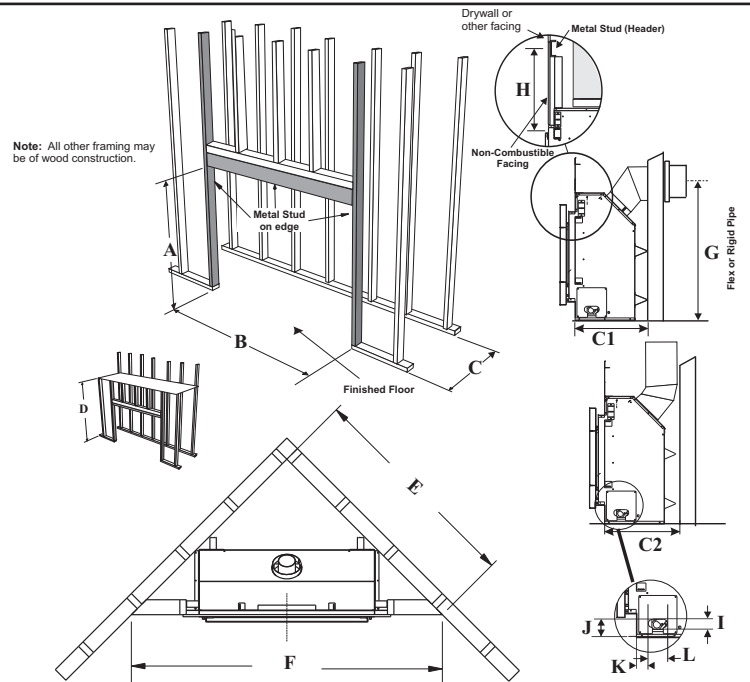
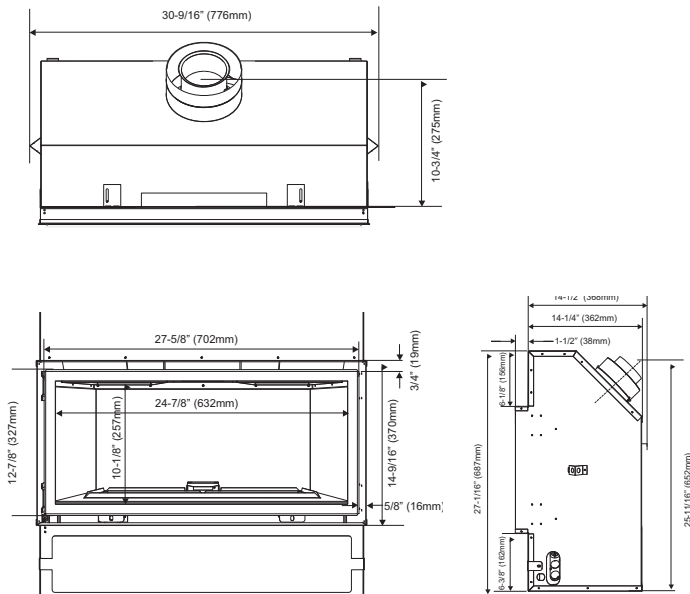
| Approved Venting Systems | |
|--------------------------|---|
| Flex Vent Systems: | FPI AstroCap™ Flex Vent |
| Rigid Pipe Vent Systems: | Simpson Direct Vent Pro® American Metal Products® Amerivent Direct Security Secure Vent® Selkirk Direct-Temp™ Metal-Fab® Sure Seal |

Framing Dimensions:

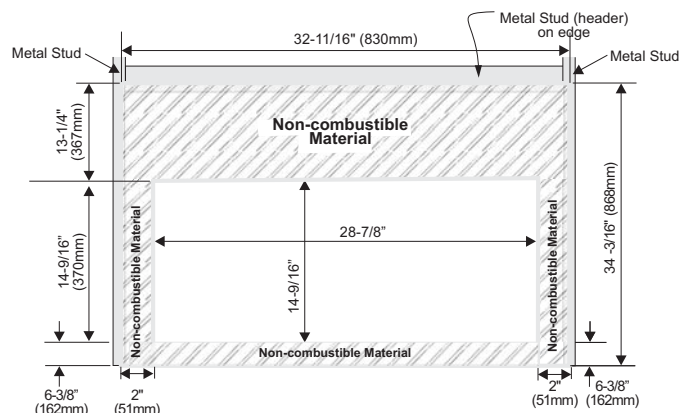
| Framing Dimensions | Description | HZ30E |
|--------------------|--------------------------------|--|
| A | Framing Height | 33-5/16" (946mm) |
| B | Framing Width | 31 - 3/16" (792mm) |
| C* | Framing Depth* | C1 Horizontal Vent 14 - 1/4" (362mm) |
| | | C2 Vertical Vent, vertical rise - terminating horizontally - 19-1/2" (495mm) |
| D | Minimum Height to Combustibles | Rigid 35-1/2" (902mm) |
| | | Flex 32-7/8" (835mm) |
| E | Corner Wall Depth | 40-7/8" (1308mm) |
| F | Corner Facing Wall Width | 57-13/16" (1468mm) |
| G | Vent Centerline Height | Rigid 29-1/4" (743mm) Flex 26-5/8" (676mm) |
| H | Non-combustible facing height | 13-1/4" (367mm) |
| I | Gas Connection Opening Height | 2" (51mm) |
| J | Gas Connection Height | 3-1/4" (83mm) |
| K | Gas Connection Inset | 4-1/8" (105mm) |
| L | Gas Connection Opening Width | 3-1/2" (89mm) |

*Framing depth measurement is noted with the nailing strips set as far forward on the firebox as possible. The nailing strips can be adjusted back up to 1" to allow for varying thicknesses in non-combustible material & wall finishes.

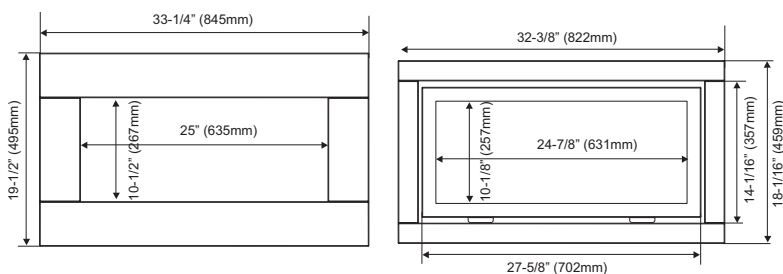
Unit Dimensions:



Non-Combustible Requirements:

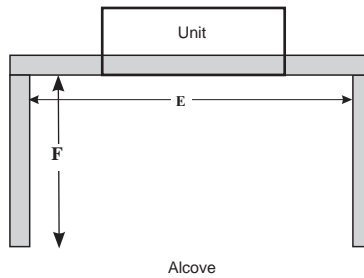
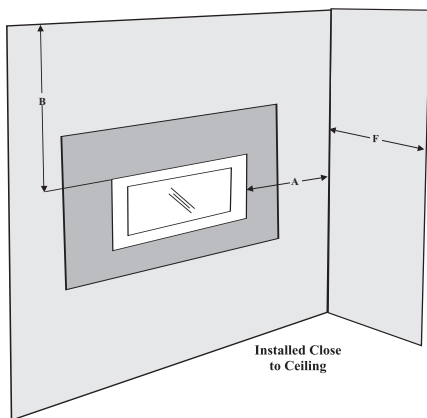
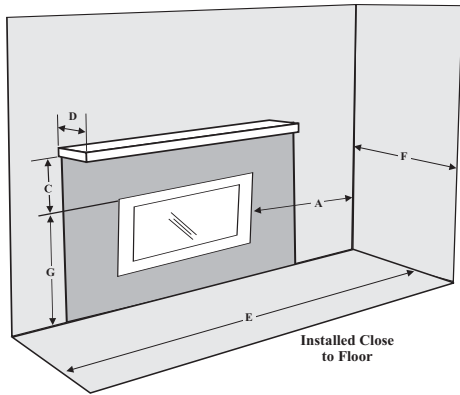


Faceplate Dimensions:



HZ30E Gas Fireplace

Clearance Requirements:



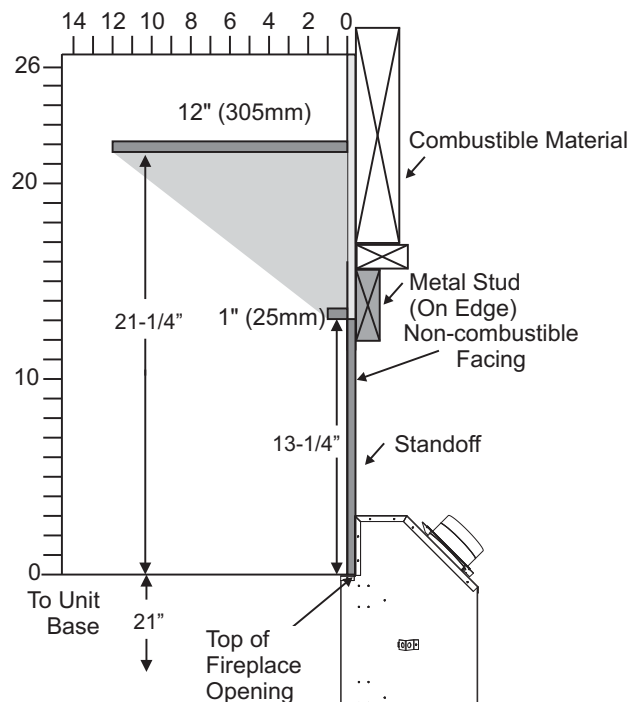
| Clearance: | Dimension | Measured From: |
|--|-----------------|---------------------------------|
| A: Sidewall (on one side) | 8" (203mm) | Side of Fireplace Opening |
| B: Ceiling (room and/or alcove) | 39" (991mm) | Top of Fireplace Opening |
| C: Mantel Height (min.) | 13-1/4" (330mm) | Top of Fireplace Opening |
| D: Mantel Depth (max.) | 12" (305mm) | 21-1/4" Above Fireplace Opening |
| E: Alcove Width | 60" (1524mm) | Sidewall to Sidewall (Minimum) |
| F: Alcove Depth | 36" (914mm) | Front to Back Wall (Maximum) |
| G: From Floor | 21" (533mm) | Top of Fireplace Opening |
| Note: | 0" | No hearth required |

| Minimum Vent Clearances to Combustibles | |
|---|-----------|
| Horizontal Top | 3" (76mm) |
| Horizontal Side | 2" (51mm) |
| Horizontal Bottom | 2" (51mm) |
| Vertical Vent | 2" (51mm) |

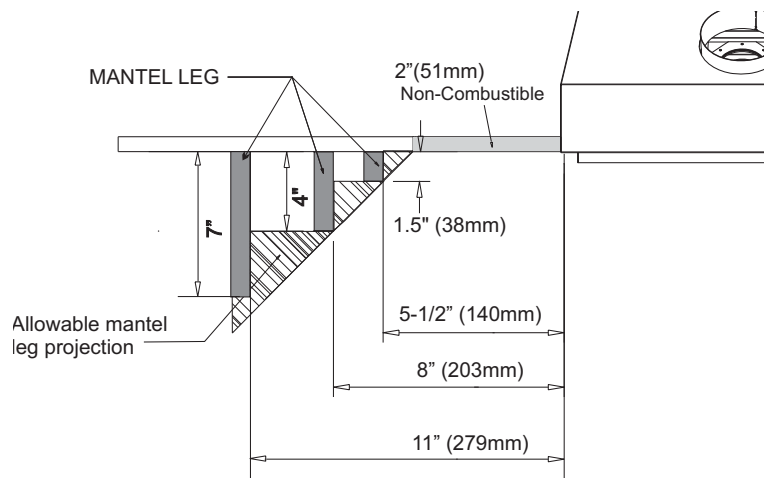
Combustible Mantels:

Due to the extreme heat this fireplace emits, the mantel clearances are critical. Combustible mantel clearances from top of front facing are shown in the diagram on the right.

Note: Ensure the paint that is used on the mantel and the facing is "heat resistant" or the paint may discolour.



Mantel Leg Clearances:



FRAMING & FINISHING

- 1) Frame in the enclosure for the unit with framing material.

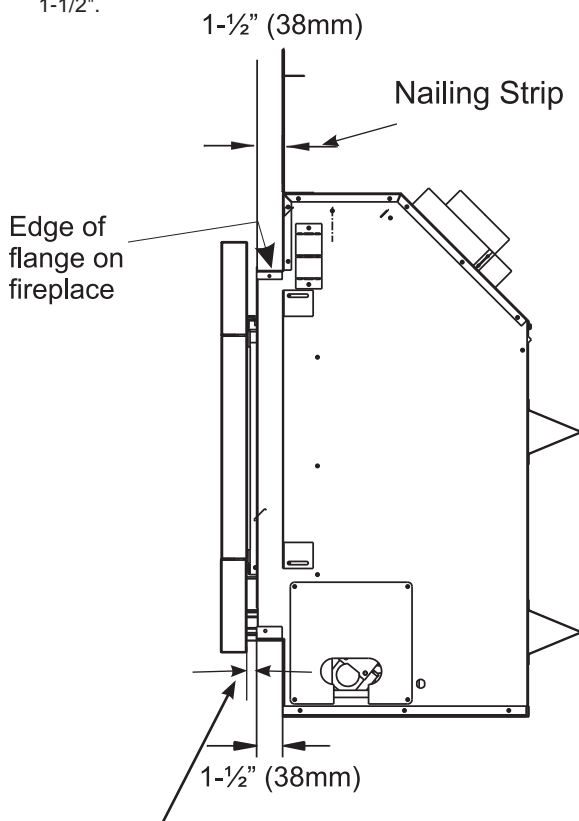
IMPORTANT: The framed opening must be of non-combustible material.

Note: When constructing the framed opening, please ensure there is access to install the gas lines when the unit is installed.

- 2) For exterior walls, insulate the enclosure to the same degree as the rest of the house, apply vapour barrier and drywall, as per local installation codes. (Do not insulate the fireplace itself.)

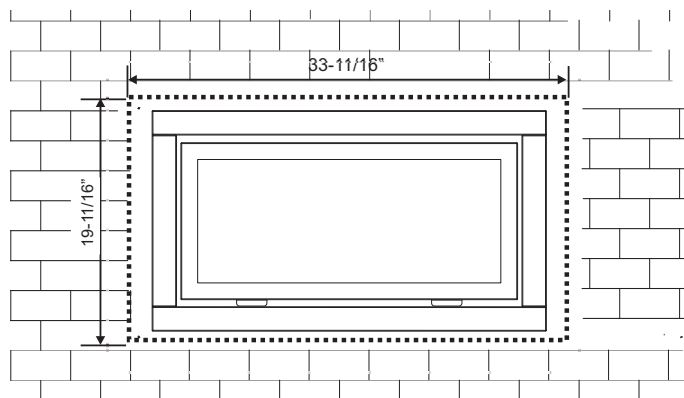
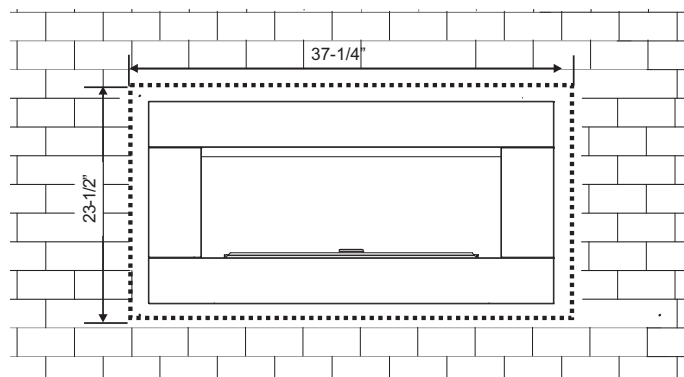
WARNING: Failure to insulate and add vapor barriers to the inside of the exterior wall will result in operational and performance problems including, but not limited to: excessive condensation on glass doors, poor flame package, carbon, blue flames etc. These are not product related issues.

- 3) The unit does not have to be completely enclosed in a chase. You must maintain clearances from the vent to combustible materials: See "Clearances" section. Combustible materials can be laid against the side and back standoffs and the stove base.
- 4) Non-combustible material (ie. tile, slate, etc) may be brought up to and overlap the unit (top and bottom) ensuring that the maximum thickness does not go beyond the 1-1/2" as shown in the diagram below. The faceplate will not be able to be mounted if finished material is beyond 1-1/2".

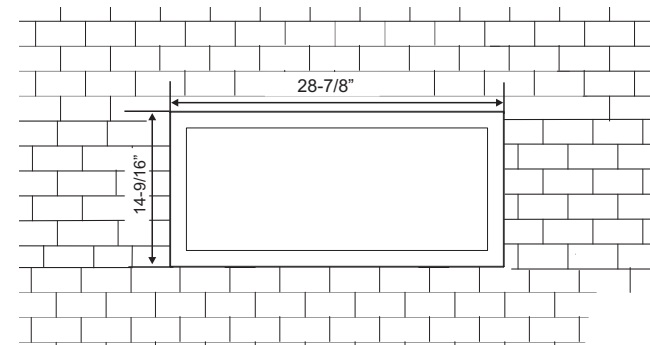


Important: 1/2" gap required between faceplate and finished wall when using part #316-924, 316-926, 316-927 (4 pc. faceplate). When using part # 316-934, 316-936 and 316-937 (outer faceplate) the 1/2" gap is not necessary.

- 5) If material such as brick, stone, etc extends past the faceplate depth (1-1/2"), when finishing around the faceplate, the minimum opening dimensions noted below must be adhered to ensuring for the removal of the faceplate and for the safe operation of this appliance.



- 6) If finishing the unit with the inner faceplate only - the finishing material may be brought up to the edge of the unit.



HZ30E Gas Fireplace

Horizontal Terminations:

VENTING ARRANGEMENT FOR HORIZONTAL TERMINATIONS

The diagram shows all allowable combinations of vertical runs with horizontal terminations, using one 90° (two 45° elbows equal one 90° elbow). (Not including the starting 45° elbow at the flue collar when using rigid venting.)

Note: Must use optional rigid pipe adapter (Part# 510-994) when using Rigid Pipe Venting Systems.

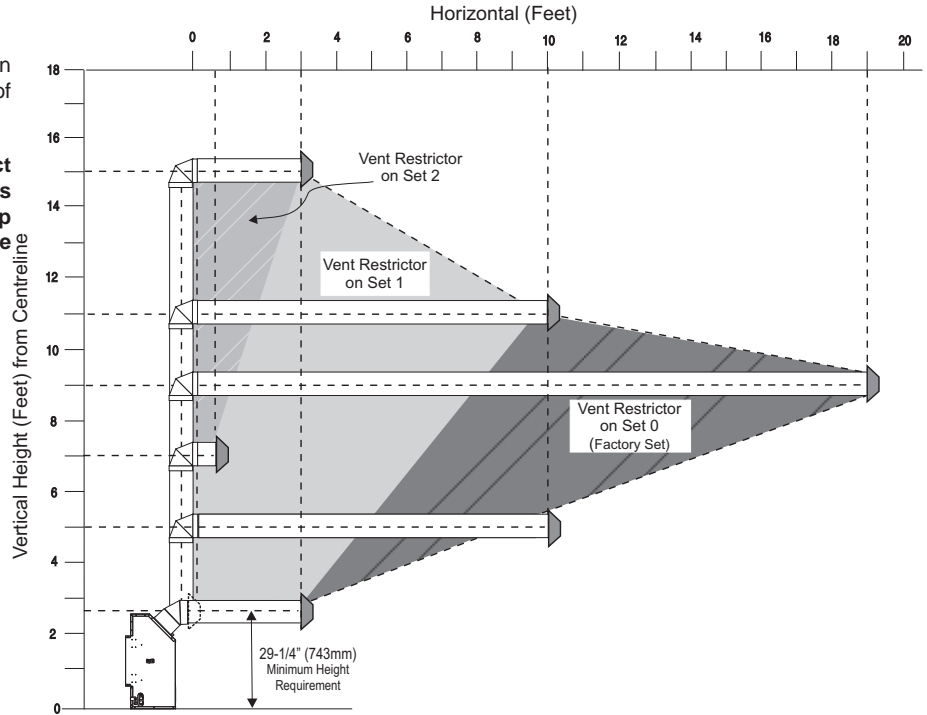
VENT RESTRICTOR SETTING:

Vent restrictor factory set at Set 0.

Refer to the "Vent Restrictor Position" section for details on how to change the vent restrictor from the factory setting of Set 0 to Set 1 if required.

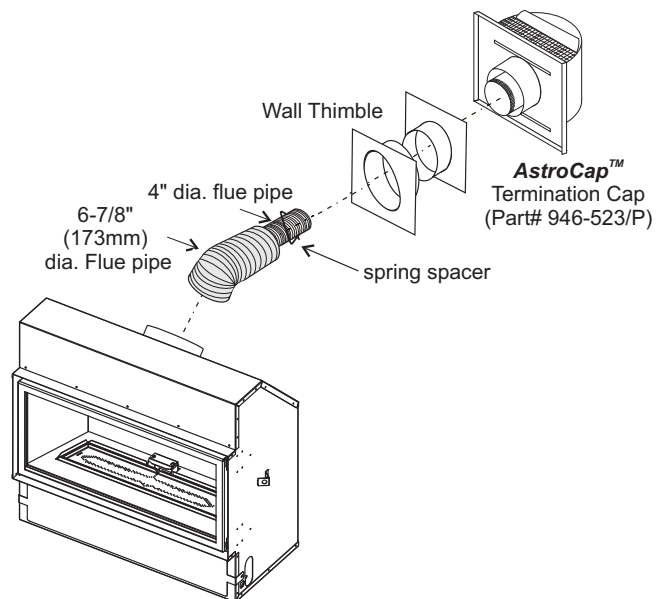
Note: For horizontal terminations the Regency Direct Vent Flex System may be used for installations with a maximum continuous vent length of up to 10 feet. If longer runs are required, rigid pipe must be used.

- Maintain clearances to combustibles as listed in "Clearances" section
- Horizontal vent must be supported every 3 feet.
- Firestops are required at each floor level and whenever passing through a wall.
- A vent guard should be used whenever the termination is lower than the specified minimum or as per local codes.
- Flex system can only be used up to 10 feet - otherwise rigid venting must be used.



Horizontal Flex Terminations:

| FPI Kit # | Length | Contains: |
|-----------|---------|---|
| #946-513 | 2 Feet | 1) 6-7/8" flexible outer liner (Kit length) 2) 4" flexible inner liner (Kit length) 3) spring spacers 4) thimble |
| #946-515 | 4 Feet | 5) AstroCap termination cap 6) screws 7) tube of Mill Pac |
| #946-516 | 10 Feet | 8) plated screws 9) S.S. screws #8 x 1-1/2" drill point |



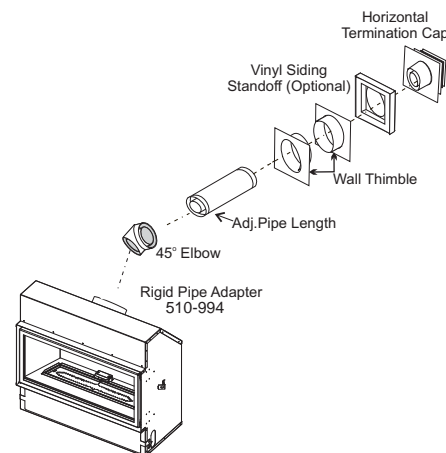
VENTING ARRANGEMENTS HORIZONTAL TERMINATIONS RIGID PIPE 4" X 6-7/8"

The minimum components required for a basic horizontal termination are:

- 1 Horizontal Termination Cap
- 1 45° Elbow
- 1 Rigid Pipe Adaptor (510-994)
- 1 Wall Thimble
- 1 Length of pipe to suit wall thickness (see chart)

Wall thickness is measured from the back standoffs to the inside mounting surface of termination cap. For siding other than vinyl furring strips may be used, instead of the vinyl siding standoff, to create a level surface to mount the vent terminal. The Terminal must not be recessed into siding. Measure the wall thickness including furring strips.

If a Vinyl Siding Standoff is required (it must be used with vinyl siding), measure to outside surface of wall without siding and add 2 inches.



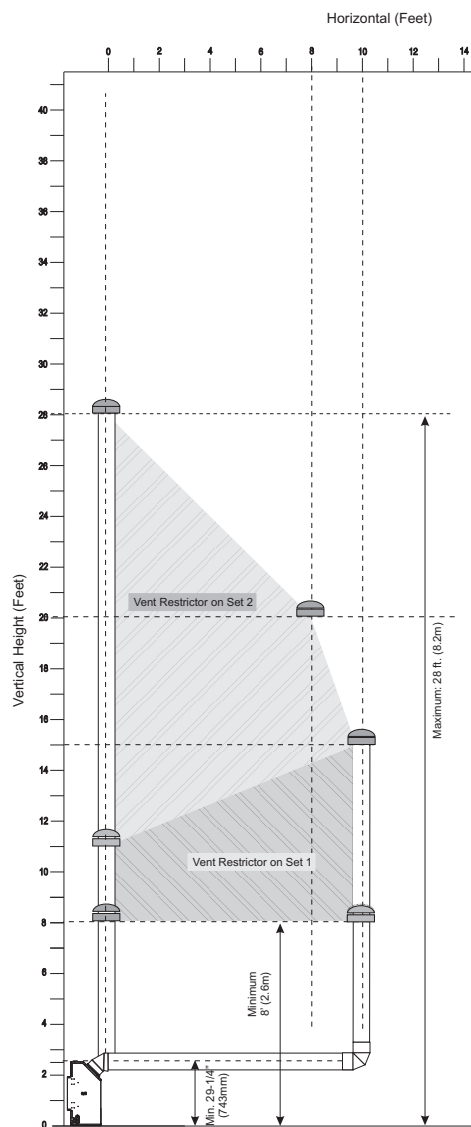
| Flat Wall Installation | |
|-------------------------|-------------------------------|
| Wall Thickness (inches) | Vent Length Required (inches) |
| 4" - 5-1/2" | 6" |
| 7" - 8-1/2" | 9" |
| 10" - 11-1/2" | 12" |
| 9" - 14-1/2' | 11" - 14-5/8" Adj. Pipe |
| 15" - 23-1/2" | 17" - 24" Adj. Pipe |

VENTING ARRANGEMENT FOR VERTICAL TERMINATIONS Vertical Venting with One(1) 90° Elbows (1 - 90° = 2 - 45°)

The shaded area in the diagram shows all allowable combinations of straight vertical and offset to vertical terminations, using two 90° elbows, with Rigid Pipe Venting Systems.

Two 45° elbows equal to one 90° elbow. Maximum of four 45° elbows allowed, not including the starting 45° elbow at the flue collar.

- Vent must be supported at offsets.
- Minimum distance between elbows is 1 ft. (305mm).
- Maintain clearances to combustibles as listed in the "Clearances" section.
- Horizontal vent must be supported every 3 feet.
- Firestops are required at each floor level and whenever passing through a wall.
- Must use optional rigid pipe adaptor (Part# 510-994) when using rigid pipe vent systems.
- Refer to the "Vent Restrictor Position" section for details on how to change the vent restrictor from the factory setting of Set 0 to Set 1 or Set 2 if required.



VERTICAL TERMINATIONS RIGID PIPE 4" X 6-5/8"

The minimum components required for a basic vertical termination are:

- 1 Vertical Termination Cap
- 1 45° Elbow
- 1 Rigid Pipe Adaptor (510-994)
- 1 Ceiling Firestop
- 1 Flashing
- 1 Storm Collar
- 1 Length of pipe to suit wall thickness (see chart)

Galvanized pipe is desirable above the roofline due to its higher corrosion resistance. Continue to add pipe sections through the flashing until the height of the vent cap meets the minimum height requirements specified in Dia. 4 or local codes. Note that for steep roof pitches, the vertical height must be increased. A poor draft, or down drafting can result from high wind conditions near big trees or adjoining roof lines, in these cases, increasing the vent height may solve the problem.

