

Framing Dimensions:

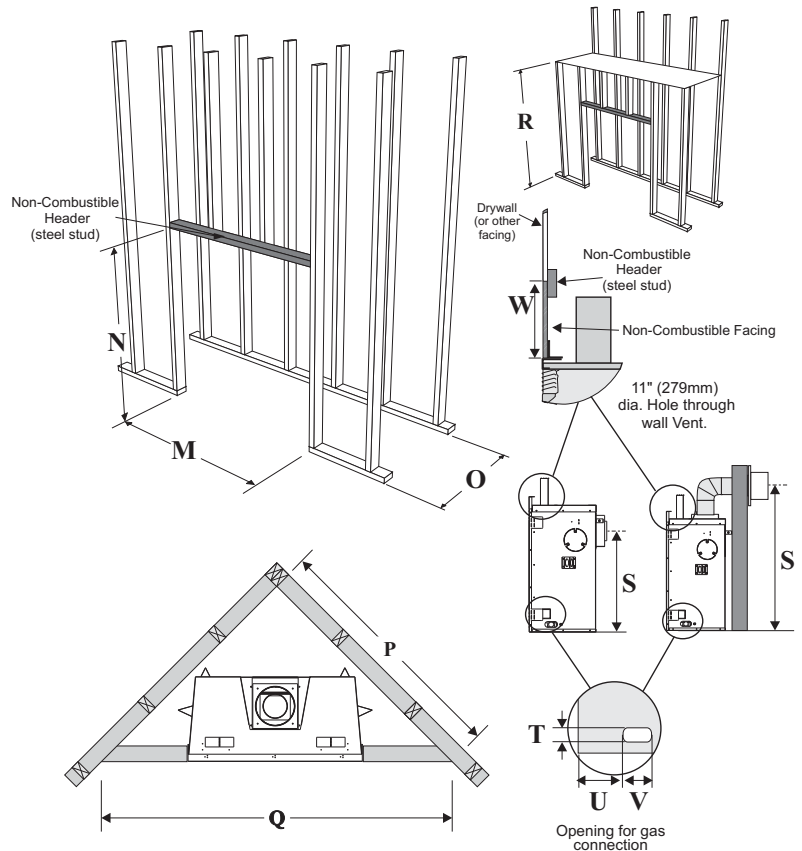
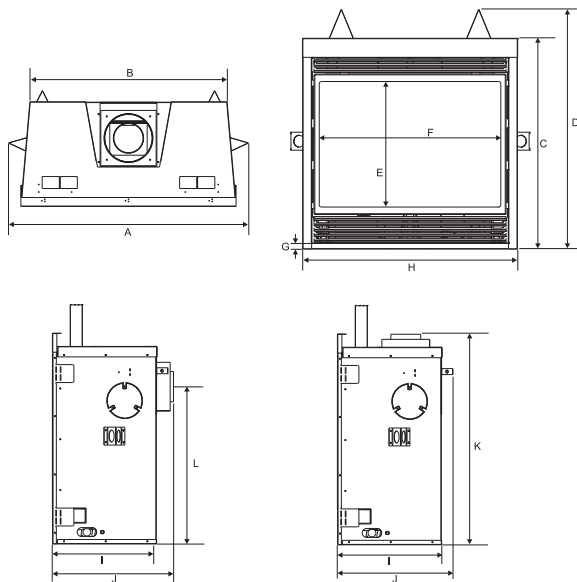
Model	B36XT-NG	B36XT-LP
Fuel Type	Natural Gas	Propane
Minimum Supply Pressure	5" W.C. (1.25 kPa)	11" W.C. (2.74 kPa)
Manifold Pressure - High	3.5" W.C. (0.87 kPa)	10" W.C. (2.49 kPa)
Manifold Pressure - Low	1.6" W.C. (0.40 kPa)	6.4" W.C. (1.60 kPa)
Orifice Size	#35 DMS	#51 DMS
Minimum Input	21,500 BTU/h (6.3 kW)	25,000 BTU/h (7.33 kW)
Maximum Input	31,000 BTU/h (9.09 kW)	31,000 BTU/h (9.09 kW)
Vent Sizing (Rear Vent)	5" Inner / 8" Outer	5" Inner / 8" Outer
Vent Sizing (Top Vent)*	5" Inner / 8" Outer	5" Inner / 8" Outer
*Optional Reducer Available. See Price Pages & Manual for more details		

Approved Venting Systems	
Flex Vent Systems:	FPI AstroCap™ Flex Vent
Rigid Pipe Vent Systems:	Simpson Direct Vent Pro® Selkirk Direct-Temp™ Metal-Fab® Sure Seal

Unit Dimensions	Description	B36XT
A	Width (at front including standoffs)	40 - 5/16"
B	Width (at back of unit)	33"
C	Height Front Face	35-1/4"
D	Height (including standoffs)	41 - 5/16"
E	Glass Viewing Area (Height)	21"
F	Glass Viewing Area (Width)	30-3/8"
G	Height from Base of Unit to Bottom Louver Opening	1"
H	Width Front Face	36"
I	Unit Depth (excluding standoffs)	17-5/16"
J (Rear Vent)	Unit Depth (including rear flue)	20-1/4"
J (Top Vent)	Unit Depth (including standoffs)	20-5/16"
K (Top Vent)	Height to Top Vent	35-1/4"
L (Rear Vent)	Height to Rear Vent Centerline	26-1/2"

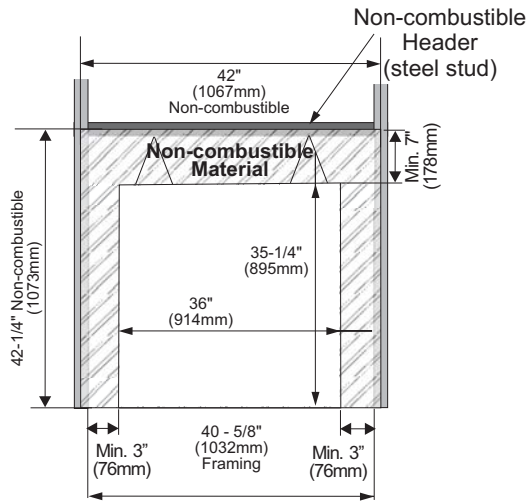
Framing Dimensions	Description	B36XT
M	Framing Width	40-5/8"
N**	Framing Height	41-1/2"
O (Top Vent)	Framing Depth - Top Vent	20-1/2"
O (Rear Vent)	Framing Depth - Rear Vent	20-3/4"
P (Top Vent)	Corner Wall Depth	48-5/8"
P (Rear Vent)	Corner Wall Depth	53" (Astrocap XL) 61-1/2" (all other approved caps)
Q (Top Vent)	Corner Facing Wall Width	68-3/4"
Q (Rear Vent)	Corner Facing Wall Width	75" (Astrocap XL) 87" (all other approved caps)
R (Rear Vent)	Framed Chase Ceiling - Rear	41-1/2"
R (Top Vent)	Framed Chase Ceiling - Top	50-1/2"
S (Rear Vent)	Vent Centerline Height - Rear	26-1/2"
S (Top Vent) 5" x 8"	Vent Centerline Height - Top	44-1/4"/Rigid 42-1/8" Flex
S (Top Vent) 4" x 6-5/8"		49" Rigid
T	Gas Connection Height	1-1/2"
U	Gas Connection Inset	4-1/8"
V	Gas Connection Width	3-1/4"

****Important: Framing height requires consideration of the hearth depth. Dimension N = N + the thickness of installed hearth.**

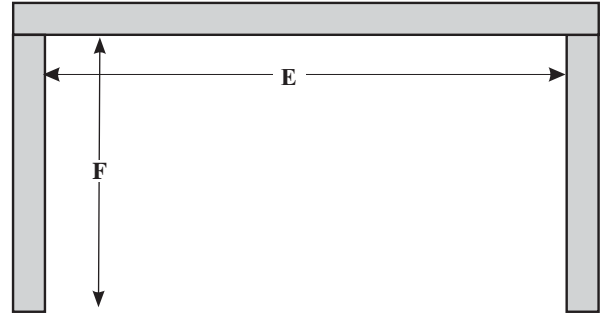


This manual is intended to be a Sales Reference Guide only. Do NOT use for actual framing and installation of any unit. Some specifications may change without notice. You must use the actual manual for exact installation specifications.

Non-Combustible Requirements

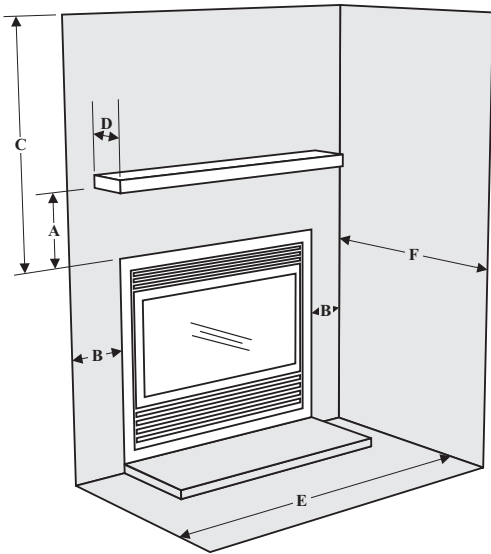


E: Alcove Width	84" (2134mm)	Wall to Wall (Minimum)
F: Alcove Depth	36" (914mm)	Front to Back Wall (Maximum)
Notes:	0"	No Hearth Required



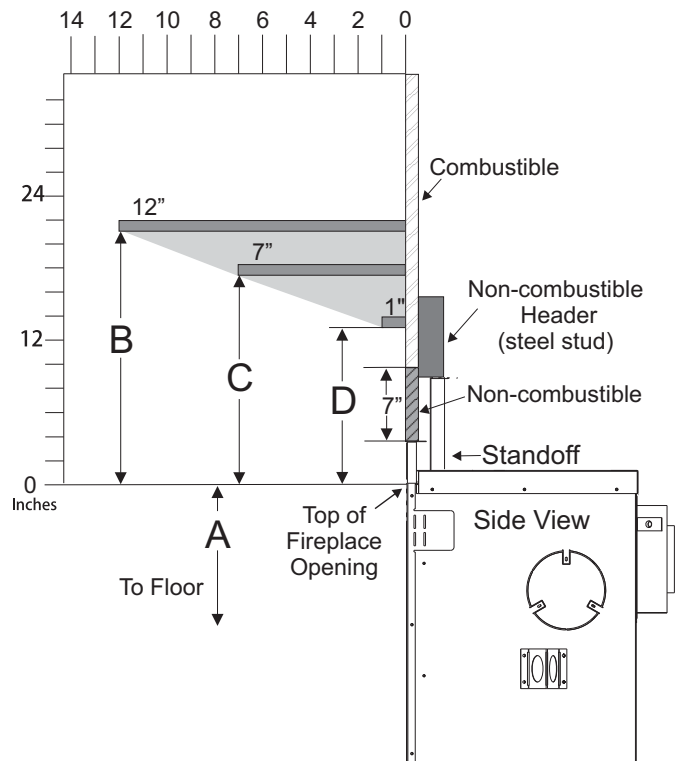
Mantel Clearances

Clearance Requirements



Clearance:	Dimension	Measured From:
A: Mantel Height	13"	From Top of Fireplace Opening
B: Sidewall	12"	Side of Front Firebox
C: Ceiling	36-3/4"	From Top of Fireplace Opening
D: Mantel Depth	12"	14-1/2" from Top Fireplace Opening

Mantel Clearances



Mantel Clearances B36XT	A	B	C	D
From Top of Fireplace Opening	32" (813mm)	21" (533mm)	17-1/2" (445mm)	13" (330mm)

WARNING

Failure to maintain required clearances is a major cause of chimney related fires.

Installation of this fireplace must comply with these clearances

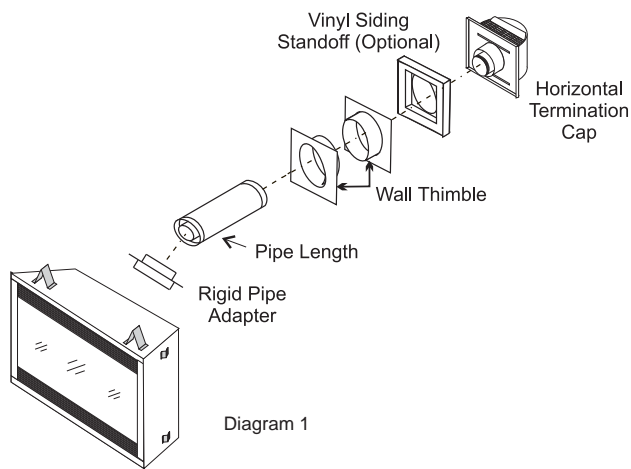
Please note: Due to ongoing product development, product appearance and specifications are subject to change without notice.

B36XT Gas Fireplace

Rear Vent with Horizontal Termination

(see Diagram 1)

- Can only use 5" x 8" venting
- Maximum 20 ft. horizontal vent run
- Use either 5" x 8" AstroCap™ Flex Vent or approved Rigid Vent System with Rigid Pipe Adaptor (770-994)
- Horizontal vent must be supported every 3 feet

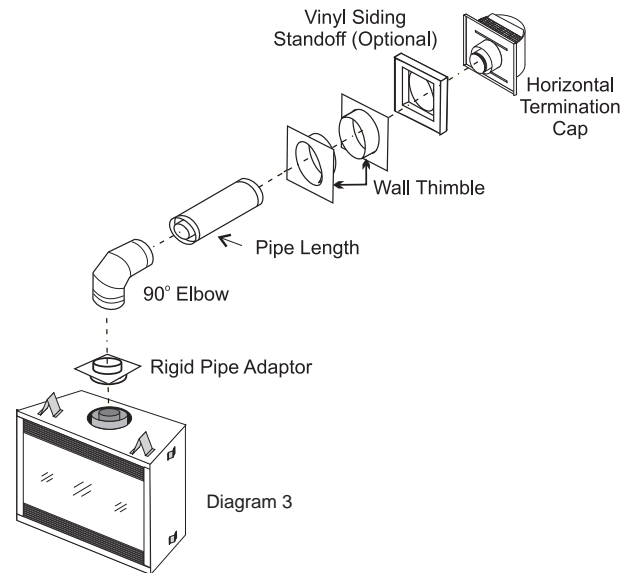


Top Vent with Horizontal Termination

- Top Vent Reducer [5" x 8" to 4" x 6-5/8"]
- For use with Top Vent, Rigid Venting applications only.
- Must use Rigid Pipe Adaptor (770-994) and reducer (946-606) for all applications
- Horizontal vent must be supported every 3 feet
- Maximum 20 ft. horizontal vent run

Top Vent - No Vertical Rise (see Diagram 3)

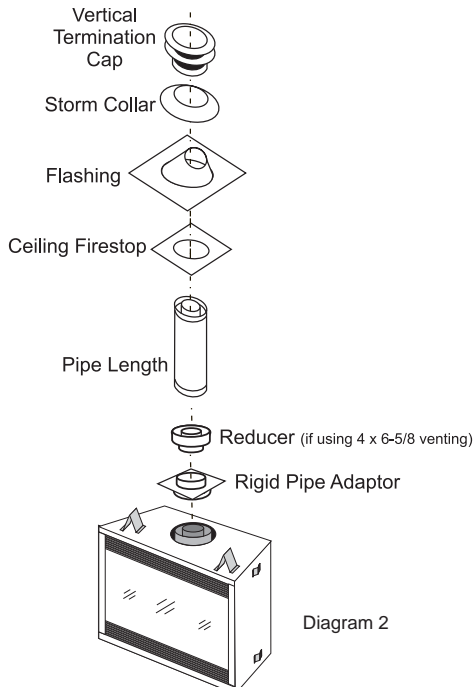
- When venting with a 90° elbow directly off the unit, must use 5" x 8" AstroCap™ Flex Vent or approved Rigid Vent System



Top Vent with Vertical Termination

(see Diagram 2)

- All vent configurations can use either 5" x 8" or 4" x 6-5/8" (reducer required 946-606) approved Rigid Vent System.
- Must use Rigid Pipe Adaptor (770-994) for all applications.
- Maximum 40 ft. vent run



Top Vent - With Vertical Rise (see Diagram 4)

- All vent configurations can use either 5" x 8" or 4" x 6-5/8" (reducer required 946-606) approved Rigid Vent System.

