

## PTO30 Outdoor Decorative Fireplace

### Specifications:

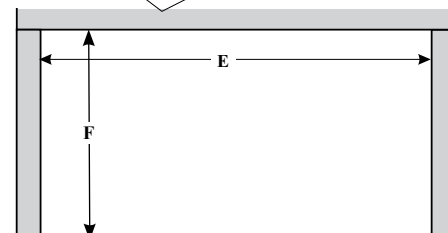
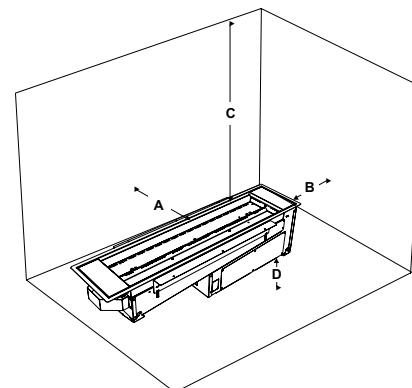
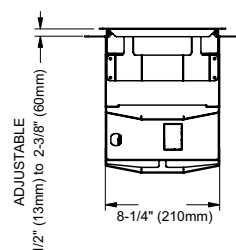
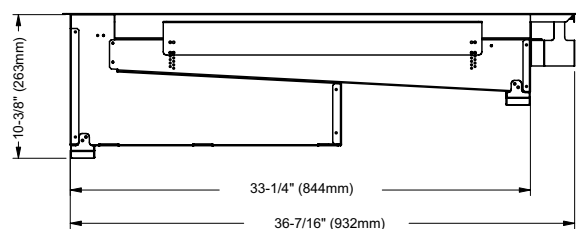
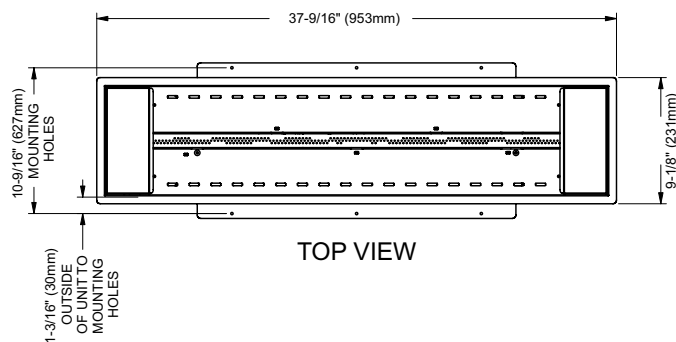
Model	PTO30-NG1	PTO30-LP1
Fuel Type	Natural Gas	Propane Gas
Minimum Supply Pressure	5" W.C. (1.25 kPa)	11" W.C. (2.74 kPa)
Manifold Pressure - High	3.5" W.C. (0.87 kPa)	10" W.C. (2.49 kPa)
Manifold Pressure - Low	1.6" W.C. (0.40 kPa)	6.4" W.C. (1.59 kPa)
Orifice Size	#25 DMS	#45 DMS
Minimum Input Altitude 0-4500 ft.	30,000 Btu/h (8.79 kW)	38,000 Btu/h (11.13 kW)
Maximum Input Altitude 0-4500 ft.	50,000 Btu/h (14.65 kW)	49,000 Btu/h (14.36 kW)
Vent Sizing	No Vent	No Vent



### MINIMUM CLEARANCES TO COMBUSTIBLES

The clearances listed below are Minimum distances unless otherwise stated:

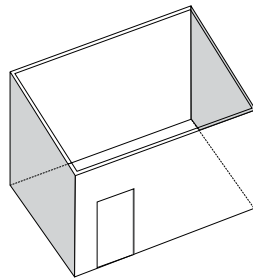
Clearance:	Dimension	Measured From:
A: Back wall	17" (432mm)	Burner to back wall
B: Sidewall	17" (432mm)	Burner to sidewall
C: Ceiling	45" (1143mm)	Burner to Ceiling
D: Unit Base	1" (25mm)	Unit Base to Combustible
E: Alcove Width	84" (2134mm)	Wall to Wall (Minimum)
F: Alcove Depth	60" (1524mm)	Front to Back Wall (Maximum)
Notes:	0"	No Hearth Required



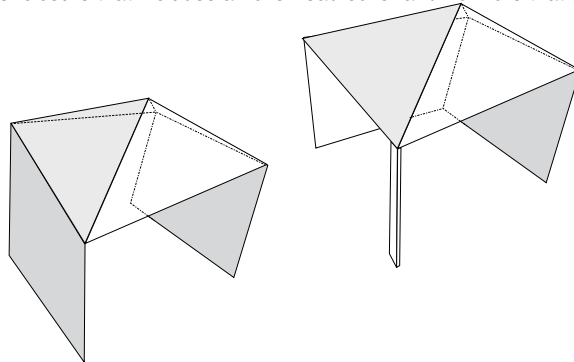
## LOCATING YOUR OUTDOOR DECORATIVE GAS APPLIANCE

- 1) When selecting a location for your outdoor decorative gas appliance, ensure that the clearances are met.
- 2) This appliance must be installed in an open-air situation with natural ventilation, without stagnant areas, where gas leakage and products of combustion are rapidly dispersed by wind and natural convection.
- 3) Certain materials or items, when placed under or near the appliance, will be subjected to radiant heat and could become damaged.
- 4) Typically an outdoor space is not enclosed but, any enclosure in which the appliance is used shall comply with one of the following:

An enclosure with walls on all sides, but at least one permanent opening at ground level and no overhead cover.



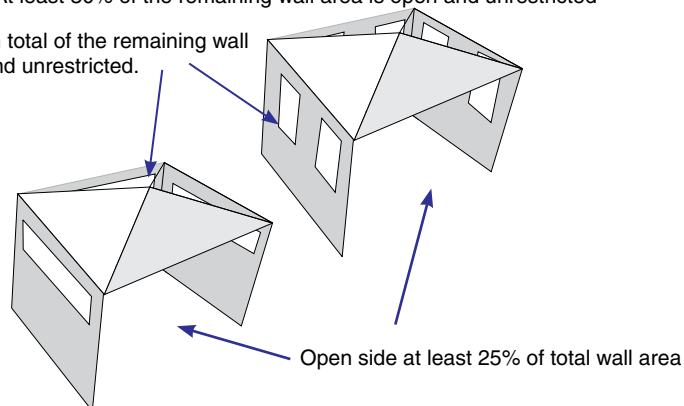
Within a partial enclosure that includes an overhead cover and no more than two walls.



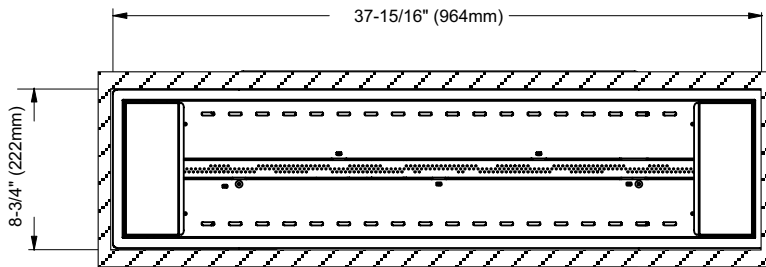
Within a partial enclosure that includes an overhead cover and more than two walls, the following shall apply:

- At least 25% of the total wall area is completely open, and
- At least 30% of the remaining wall area is open and unrestricted

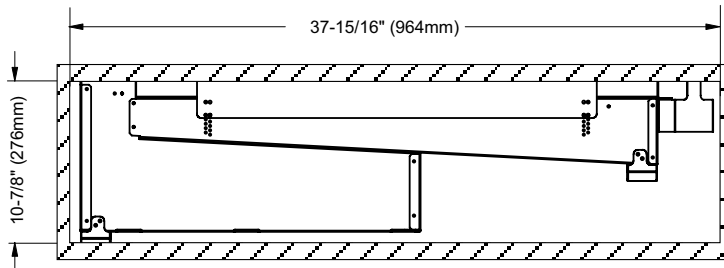
30% or more in total of the remaining wall area is open and unrestricted.



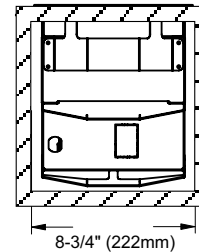
## INNER FRAMING DIMENSIONS (REQUIRED)



TOP VIEW



SIDE VIEW



END VIEW

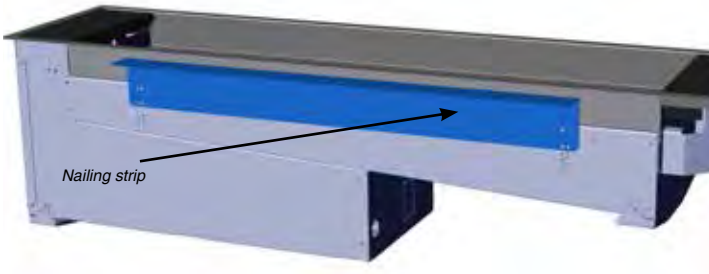
**NOTE:** Framing materials must be non-combustible when used within 4" of the unit. Combustible framing materials may be used outside the 4" clearance range.

Finishing materials **MUST** be non-combustible.

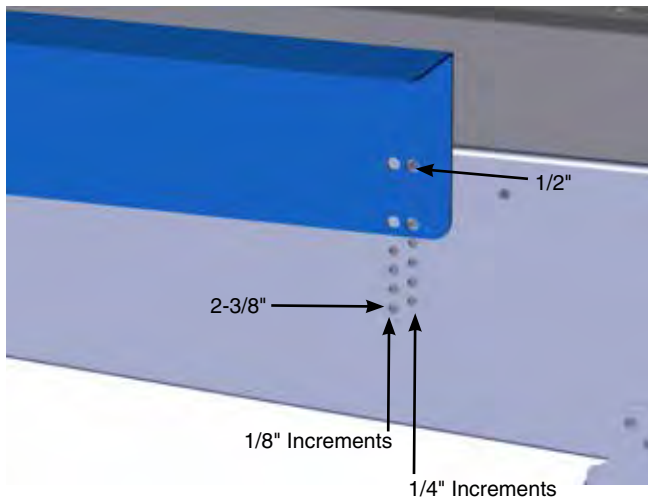
Consideration should be given to weather / elements when choosing framing materials (ie. treated lumber, steel stud).

## FINISHING

Side nailing strips are adjustable for material from a minimum of 1/2" thick up to a maximum of 2-3/8" thick.

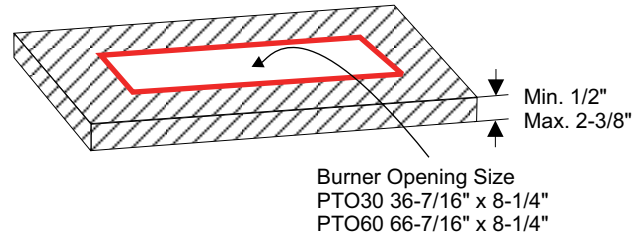


Side nailing strips are adjustable in 1/4" or 1/8" increments. Each hole on the inside line is 1/8", each hole on the outside line is 1/4". Determine the thickness of the finishing material before adjusting the nailing strips.



### FINISHING MATERIALS:

This burner is designed to be finished with non-combustible materials (ie. tile, granite, marble, brick, etc.) with a minimum thickness of 1/2" to a maximum thickness of 2-3/8".



The logo features a large, stylized letter 'O' on the left. The 'O' is filled with a dark green color, outlined in yellow, and has a purple shadow effect. To the right of the 'O', the word 'badiah's' is written in a playful, rounded font. The letters are dark green with a yellow outline and a purple shadow.

**Obadiah's**

**1-800-968-8604**

---

**WOODSTOVES**

*Serving you online since 1999*