

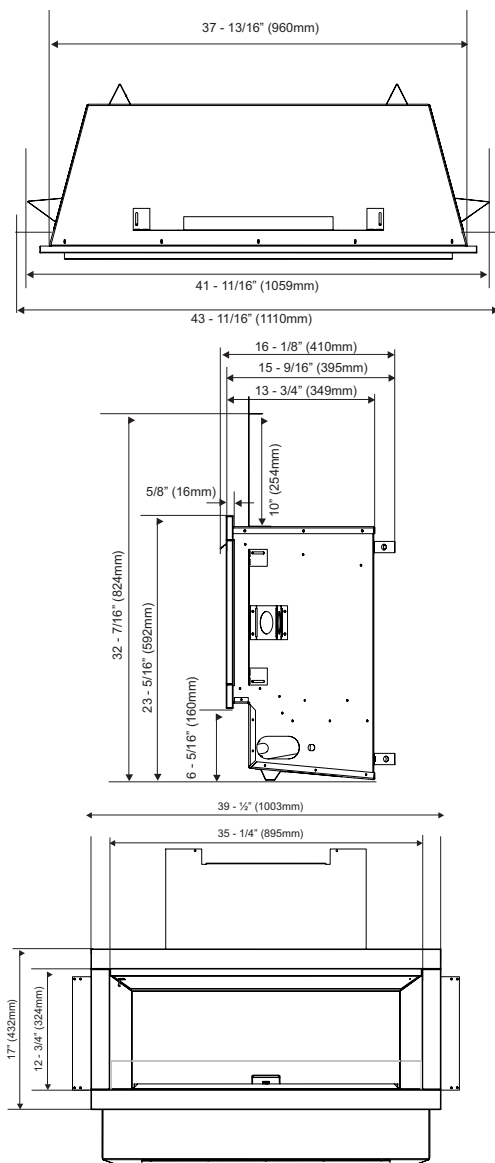
## HZO42 Outdoor Gas Fireplace

### Specifications:

Model	HZO42-NG	HZO42-LP
Fuel Type	Natural Gas	Propane Gas
Minimum Supply Pressure	5" W.C. (1.25 kPa)	11" W.C. (2.74 kPa)
Manifold Pressure - High	3.5" W.C. (0.87 kPa)	10" W.C. (2.49 kPa)
Orifice Size	#29 DMS	#47 DMS
Minimum Input Altitude 0-4500 ft. (0-1372m)	44,500 Btu/h (13.04 kW)	43,500 Btu/h (12.74 kW)
Maximum Input Altitude 0-4500 ft. (0-1372m)	44,500 Btu/h (13.04 kW)	43,500 Btu/h (12.74 kW)
Vent Sizing	No Vent	No Vent



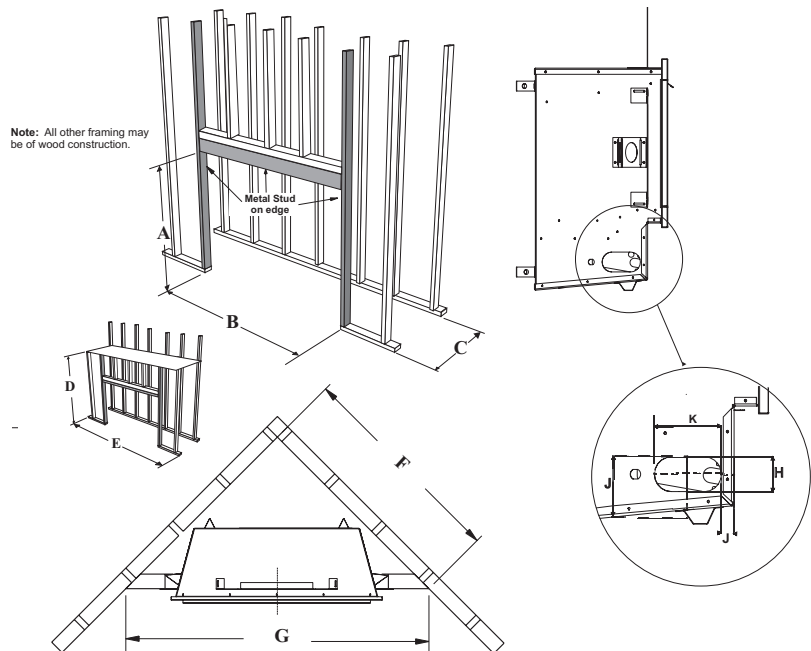
### Unit Dimensions:



### Framing Dimensions:

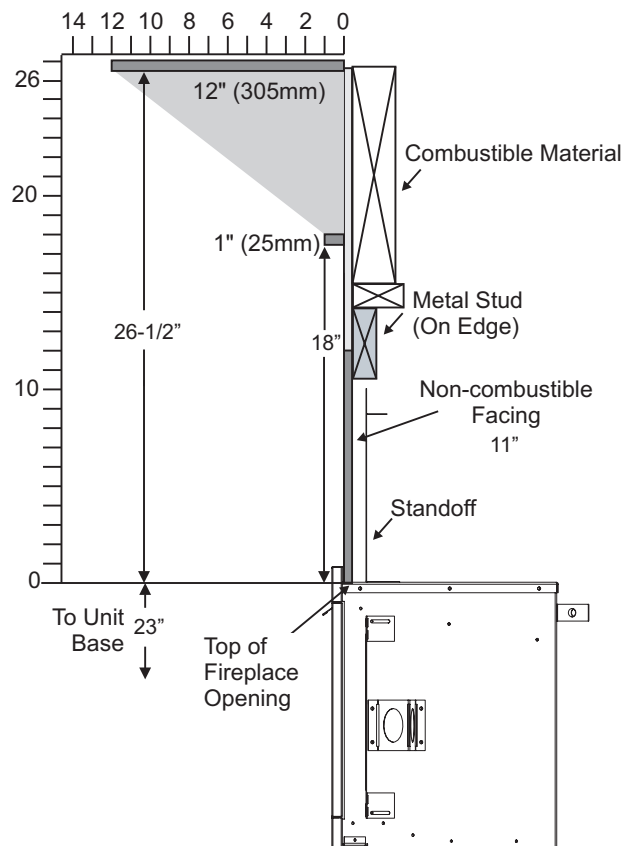
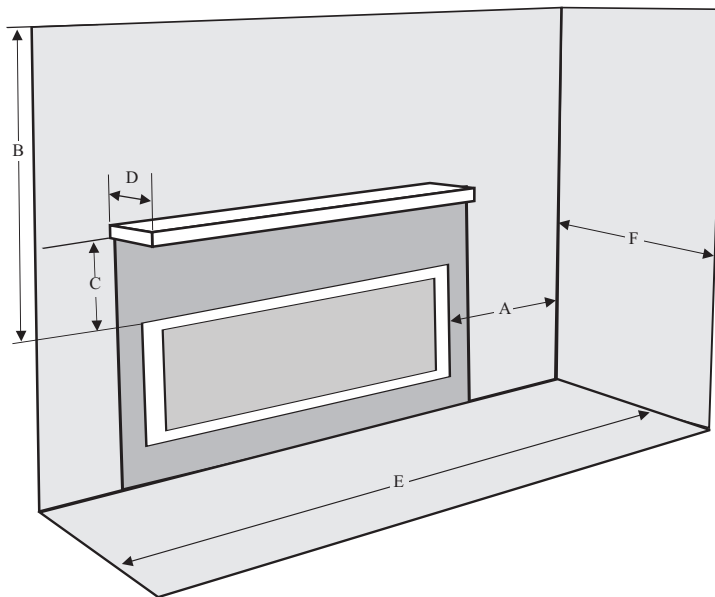
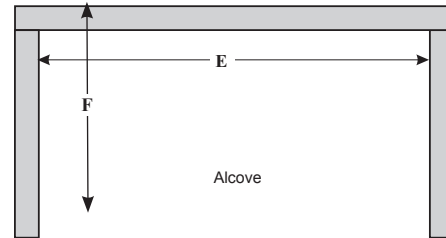
Framing Dim	Description	HZO42
A	Header Height	32-11/16" (30mm)
B	Side Stud Width	42 - 3/16" (1072mm)
C	Minimum framing depth	20" (508mm)
D	Minimum Height to Combustibles	52 - 1/2" (1334mm)
E	Minimum framing width	60" (1524mm)
F	Corner Wall Depth	40 - 7/16" (1027mm)
G	Corner Facing Wall Width	54 - 3/16" (1376mm)
H	Gas Connection Opening Height	2" (51mm)
I	Gas Connection Height	3-7/8" (98mm)
J	Gas Connection Inset	3/4" (73mm)
K	Gas Connection Opening Width	3-7/8" (98mm)

\* Framing depth measurement is noted with the nailing strips set as far forward on the firebox as possible. The nailing strips can be adjusted back up to 1" to allow for varying thicknesses in non-combustible material & wall finishes.



### Clearance Requirements:

Clearance:	Dimension	Measured From:
<b>A: Sidewall</b>	11" (203mm)	Side of Fireplace Opening
<b>B: Ceiling</b>	36" (914mm)	Top of Fireplace Opening
<b>C: Mantel Height (min.)</b>	26-1/2" (673mm)	Top of Fireplace Opening
<b>D: Mantel Depth (max.)</b>	12" (304mm)	From Wall
<b>E: Alcove Width</b>	57"(1148mm)	Wall to Wall (Minimum)
<b>F: Alcove Depth</b>	36" (914mm)	Front to Back Wall (Maximum)
<b>Notes:</b>	0"	No Hearth Required



### Combustible Mantels:

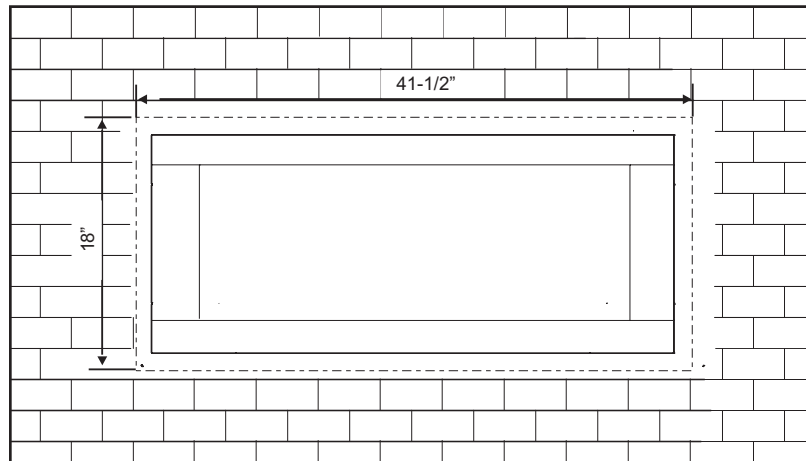
Due to the extreme heat this fireplace emits, the mantel clearances are critical. Combustible mantel clearances from top of front facing are shown in the diagram on the right.

**Note:** Ensure the paint that is used on the mantel and the facing is "heat resistant" or the paint may discolour.

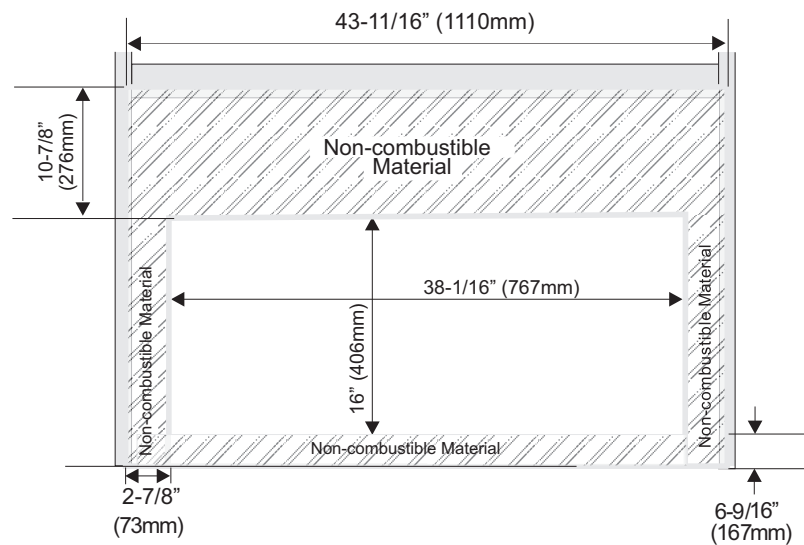
## FINISHING

### IMPORTANT FINISHING DETAIL NOTE:

Before placing unit into final position - it is important to know the total thickness / height of finished hearth. The base of the fireplace should be level or higher than the finished hearth height.



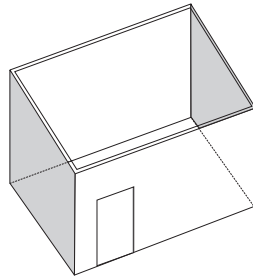
### Non-Combustible Requirements:



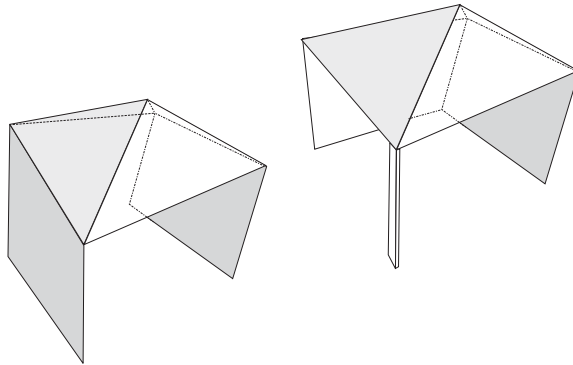
## LOCATING YOUR GAS FIREPLACE

- 1) When selecting a location for your fireplace, ensure that the clearances are met.
- 2) This appliance must be installed in an open-air situation with natural ventilation, without stagnant areas, where gas leakage and products of combustion are rapidly dispersed by wind and natural convection.
- 3) Certain materials or items, when placed under or near the appliance, will be subjected to radiant heat and could become damaged.
- 4) Typically an outdoor space is not enclosed but, any enclosure in which the appliance is used shall comply with one of the following:

An enclosure with walls on all sides, but at least one permanent opening at ground level and no overhead cover.



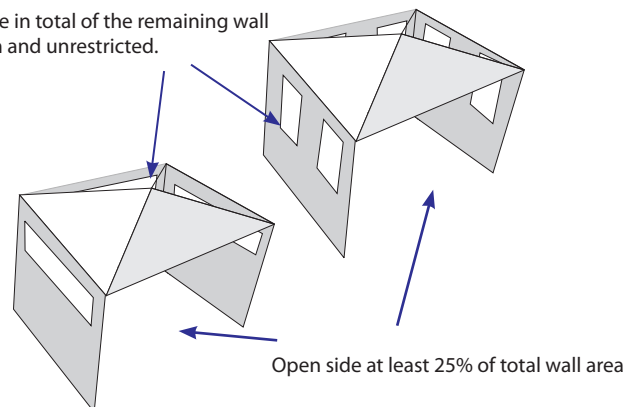
Within a partial enclosure that includes an overhead cover and no more than two walls.



Within a partial enclosure that includes an overhead cover and more than two walls, the following shall apply:

- At least 25% of the total wall area is completely open, and
- At least 30% of the remaining wall area is open and unrestricted

30% or more in total of the remaining wall area is open and unrestricted.





**Obadiah's**

**1-800-968-8604**

---

**WOODSTOVES**

*Serving you online since 1999*