



1-800-968-8604

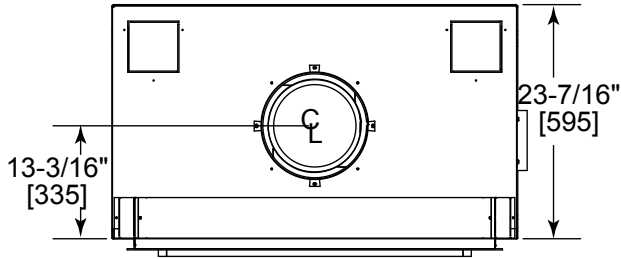
*Extinguishing mediocrity online since 1999*



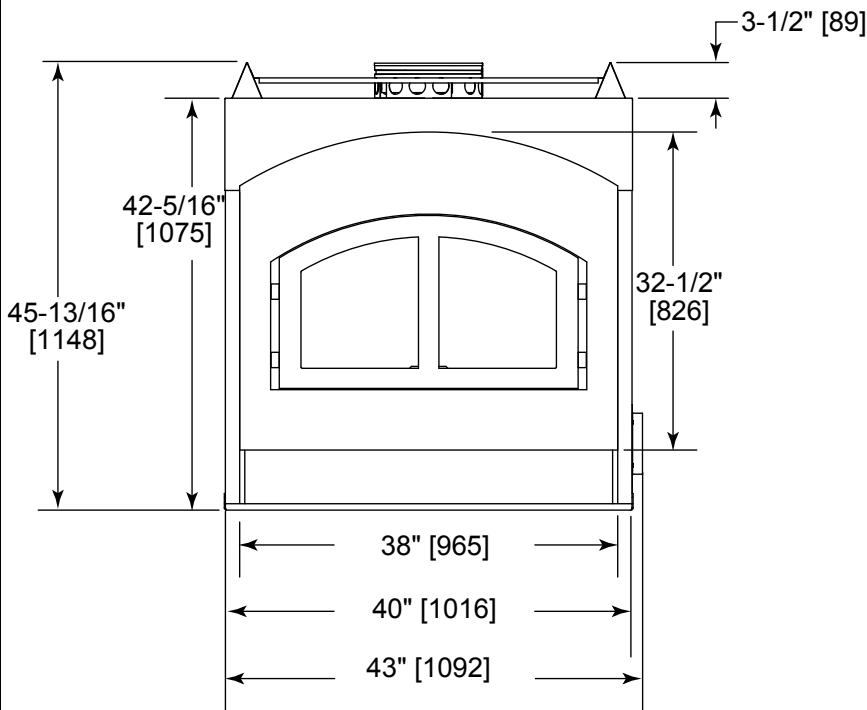
Please consult the manufacturer's installation manual for all details and requirements before making a final design layout decision.

**7100**  
**EPA Wood-burning Fireplace**

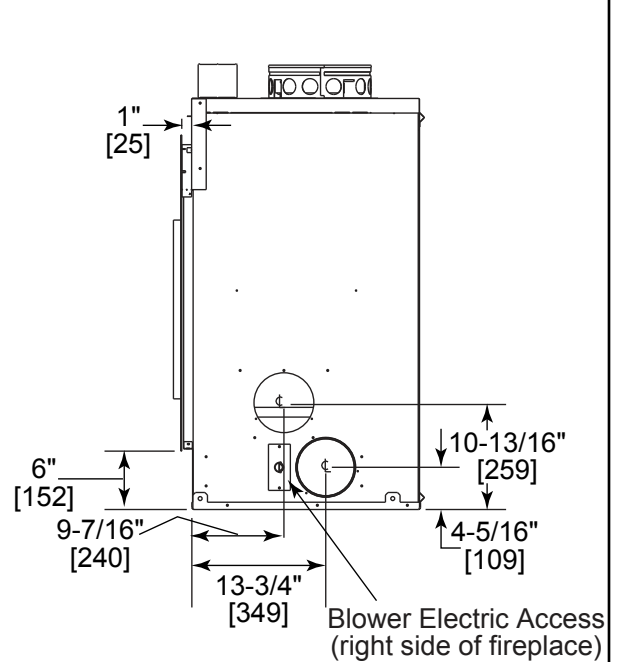
MODEL	FRONT WIDTH		BACK WIDTH		HEIGHT		DEPTH		VIEWING AREA
	Actual	Framing	Actual	Framing	Actual	Framing	Actual	Framing	
7100	40	44	40	42-1/2	45-13/16	46-1/4	23-7/16	24	38 x 32-1/2



Top View

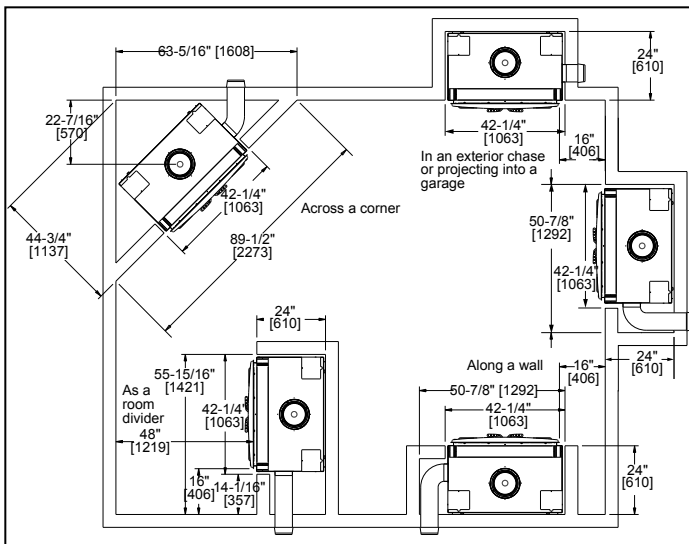


Front View

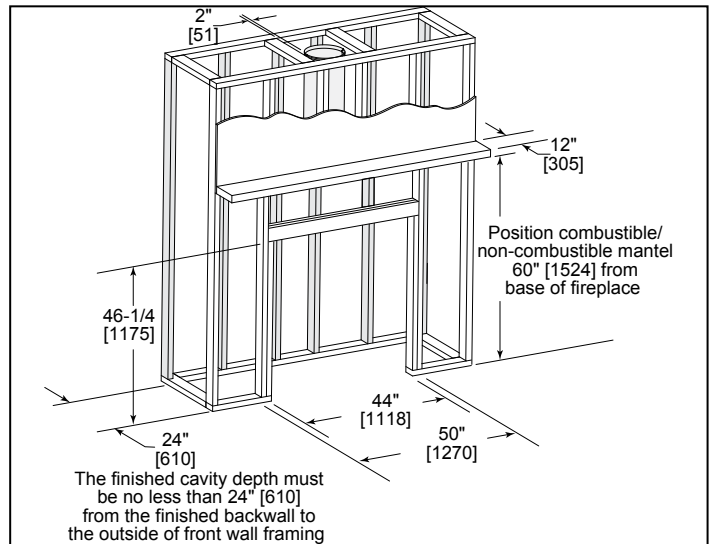


Side View

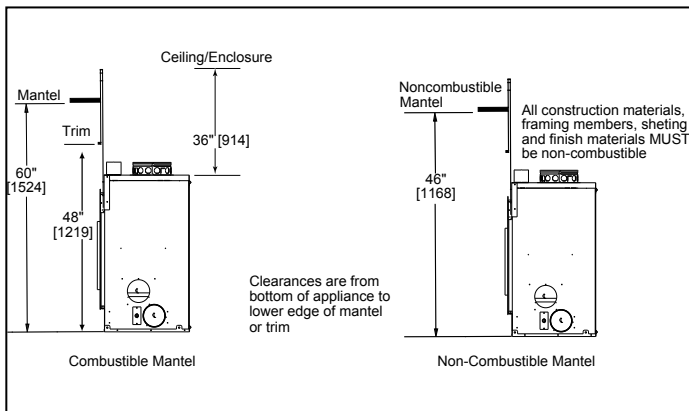
### APPLIANCE LOCATION



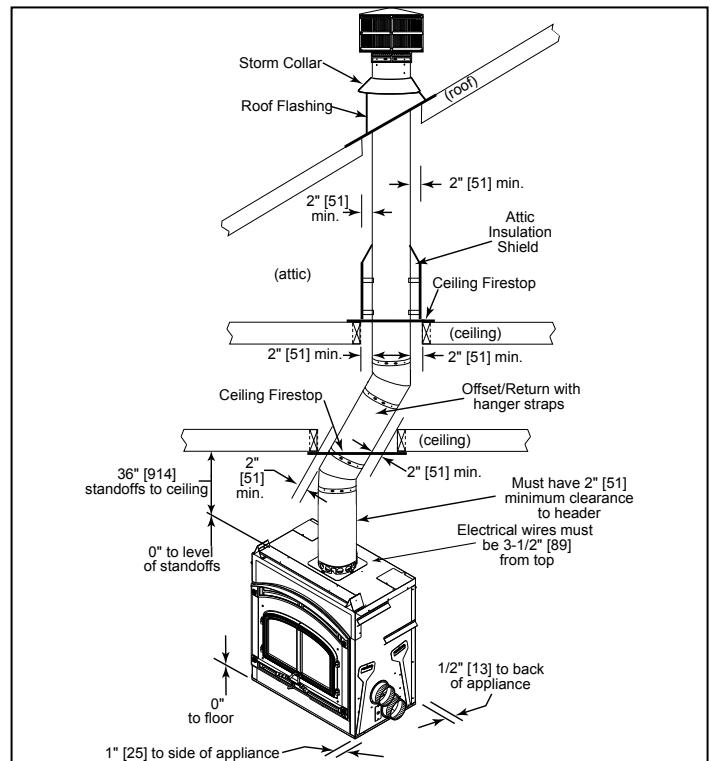
### FRAMING DIMENSIONS



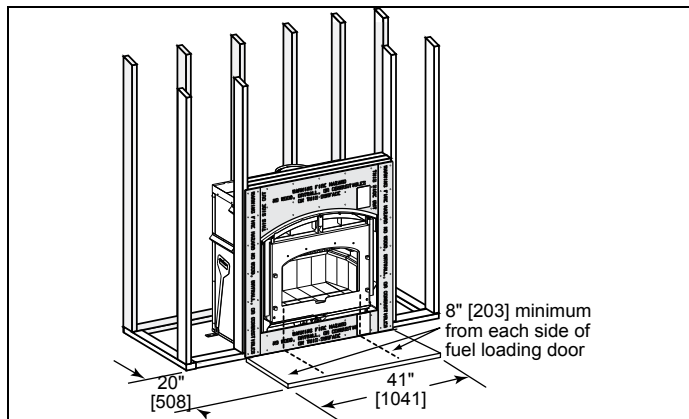
### MANTEL PROJECTIONS



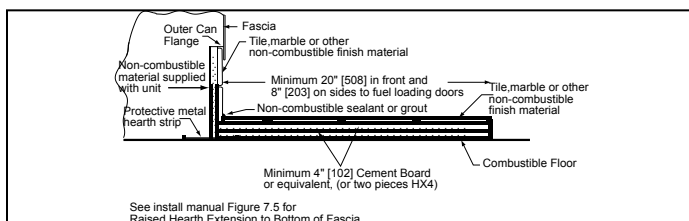
### CLEARANCE TO COMBUSTIBLES



### HEARTH EXTENSIONS



### HEARTH EXTENSION CONSTRUCTION



PRODUCT LISTING CODES	
US	UL127 (UM) 84-HUD
Canada	ULC610-M97 ULC/ORD-C142

Product information provided is not complete and is subject to change without notice. Product installation must adhere strictly to instructions accompanying product to avoid risk of fire and potential injury.

Additional information can be found online at [www.quadrafire.com](http://www.quadrafire.com)