



1-800-968-8604

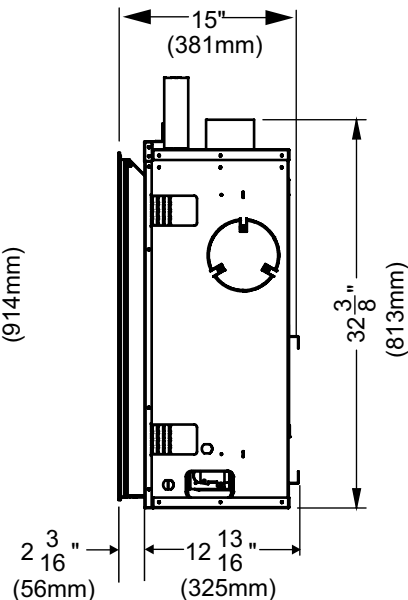
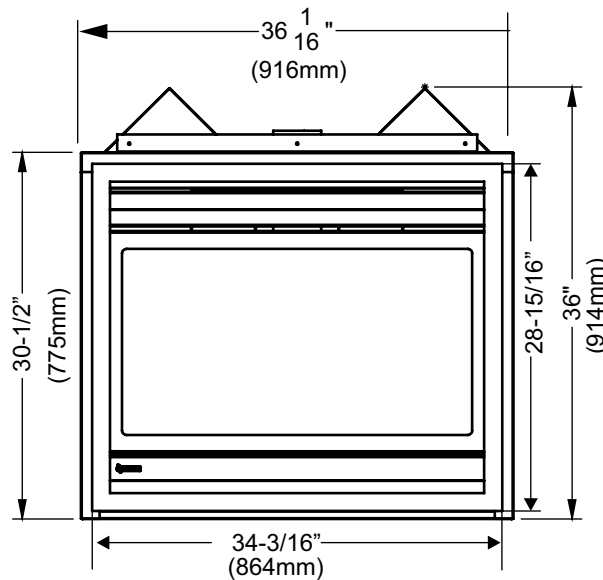
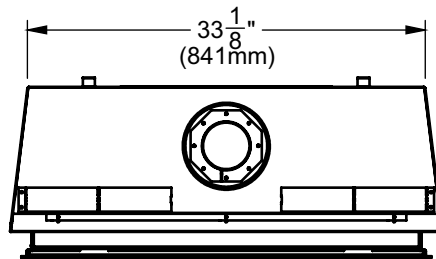
*Extinguishing mediocrity online since 1999*

## P36-10 / P36E-10 Gas Fireplace

Model	P36-NG10	P36-LP10	P36E-NG10	P36E-LP10
Fuel Type	Natural Gas	Propane	Natural Gas	Propane
Minimum Supply Pressure	5" W.C. (1.25 kPa)	12" W.C. (3.00 kPa)	5" W.C. (1.25 kPa)	11" W.C. (2.74 kPa)
Manifold Pressure - High	3.8" W.C. (0.95 kPa)	11" W.C. (2.74 kPa)	3.5" W.C. (0.87kPa)	10" W.C. (2.49 kPa)
Manifold Pressure - Low	1.1" W.C. (0.27 kPa)	2.9" W.C. (0.72 kPa)	1.6" W.C. (0.27 kPa)	6.4" W.C. (1.59 kPa)
Orifice Size	#37 DMS	#52 DMS	#37 DMS	#52 DMS
Minimum Input	15,500 BTU/h (4.54 kW)	15,000 BTU/h (3.96 kW)	19,500 BTU/h (5.71 kW)	22,000 BTU/h (6.44 kW)
Maximum Input	30,000 BTU/h (8.79 kW)	30,000 BTU/h (8.79 kW)	29,500 BTU/h (8.65 kW)	28,500 BTU/h (8.35 kW)
Vent Sizing	4" Inner / 6 5/8" Outer	4" Inner / 6 5/8" Outer	4" Inner / 6 5/8" Outer	4" Inner / 6 5/8" Outer

### Approved Venting Systems

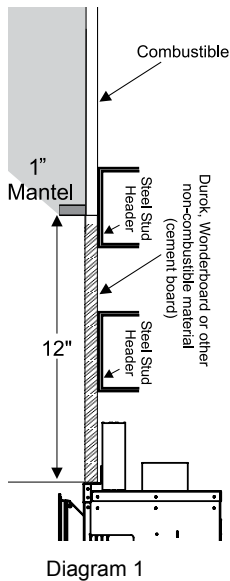
Flex Vent Systems:	FPI AstroCap™ Flex Vent
Rigid Pipe Vent Systems:	Simpson Direct Vent Pro® American Metal Products® Amerivent Direct Security Secure Vent® Selkirk Direct-Temp™ Metal-Fab® Sure Seal



\*\*\*Important: Framing height requires consideration of the hearth depth. Dimension H = H + the thickness of installed hearth.

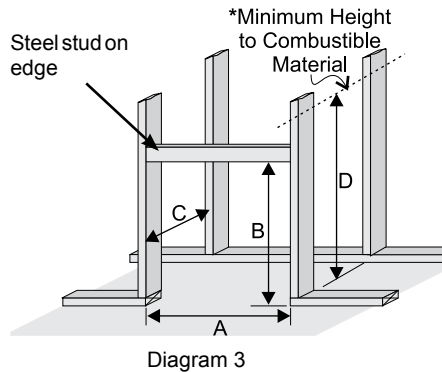
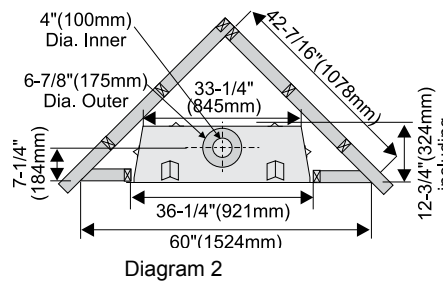
## FRAMING AND FINISHING

- 1) Determine the total thickness of facing material (e.g. non combustible plus ceramic tiles) to allow the finished surface to be flush with the front of the unit. Total facing thickness can vary from 1/2" (13mm) to 1-1/4" (32mm) thick.  
Add a second steel stud at midpoint for ease of installation/securing the non combustible board. See Diagram 5.

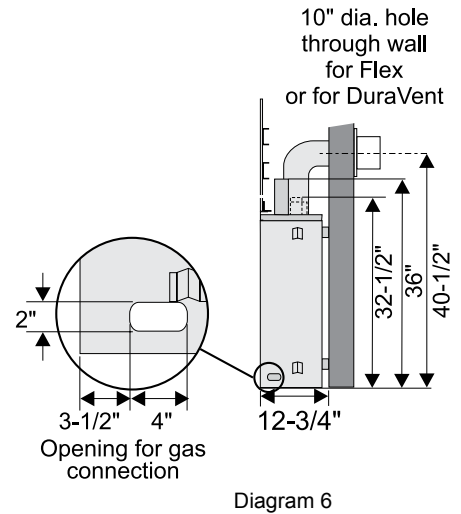


- 2) Frame in the enclosure for the unit with framing material. The framed opening is 40-3/4" high x 36-1/4" wide x 12-3/4" deep (1036mm high x 921mm wide x 324mm deep).

Note: Header must be installed vertically. If Header is installed horizontally, it must be steel.



- 3) For exterior walls, insulate the enclosure to the same degree as the rest of the house, apply vapour barrier and drywall, as per local installation codes. (**Do not insulate the fireplace itself.**)
- 4) The top of the unit must not be closer than 32" (813mm) to the ceiling.



**Note:** Secure the 12" x 36" non-combustible board supplied with this unit is directly above the unit as shown. Install a steel stud directly above the unit as shown to secure the non-combustible material.

**Install Side Nailing Strips, Top Facing Support, and Top Standoffs before unit is slipped into position. See the "Unit Assembly Prior to Installation" section for assembly details.**

All other framing may be of combustible materials, i.e. 2 x 4, 2 x 6

Framing Dimensions			
A	B	C	D
36-1/4"	40-3/4"	12-3/4"	46"*
921mm	1036mm	324mm	1168mm*

\*'D' is Minimum height to combustible materials including the Minimum 2" (51mm) Top clearance to the Horizontal Vent.

**Note:** 40-1/2" (1029mm) is the minimum height for both flex termination or rigid pipe venting.

**Note:** The unit does not have to be completely enclosed in a chase. The clearance on top of the unit is 0" to the standoffs so combustible building materials can be laid directly on top of the standoffs. You must maintain 1-1/2" (38mm) clearance from the vent to combustible materials for flex (1-1/4" for Rigid Pipe).

- 5) Use steel studs for framing where the 1-1/2" (38mm) clearance from the vent to combustible material cannot be maintained, e.g. front top header.

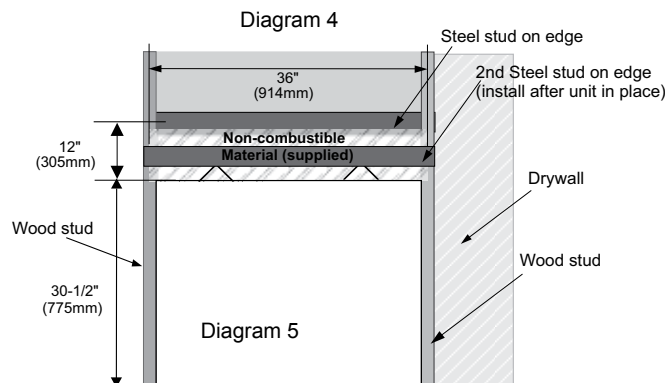


Diagram 4

Diagram 5

## IMPORTANT FINISHING DETAIL NOTE:

Before placing unit into final position - it is important to know the total thickness / height of finished hearth (tile, carpet, etc.) The base of the fireplace should be level or higher than the finished hearth height.

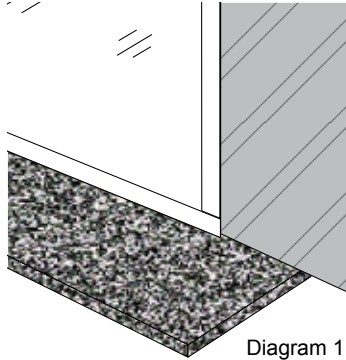


Diagram 1

**Note:** All non-combustible and combustible facing material should butt up cleanly to the flanges around the firebox opening.

Rough edges will be visible from the front view with the Vignette faceplate - if not using the optional finishing trim.

To maintain a clean finished edge - it is recommended to install the combustible facing material with the finished edge against the fireplace / nailing strips.

Alternatively, you can use J Style Trim or Metal Corner Bead to cover cut edges of the non-combustible facing material.

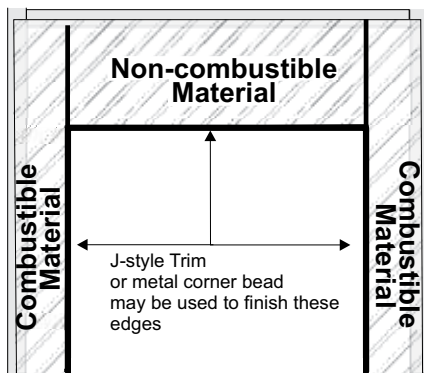


Diagram 2

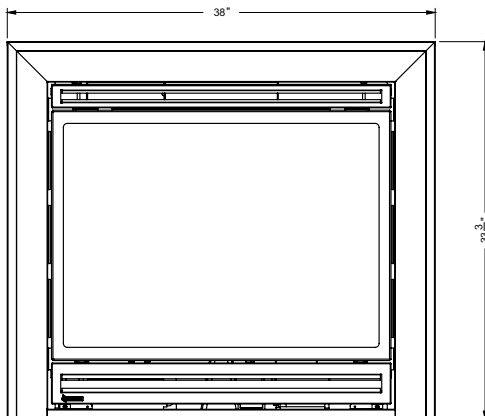
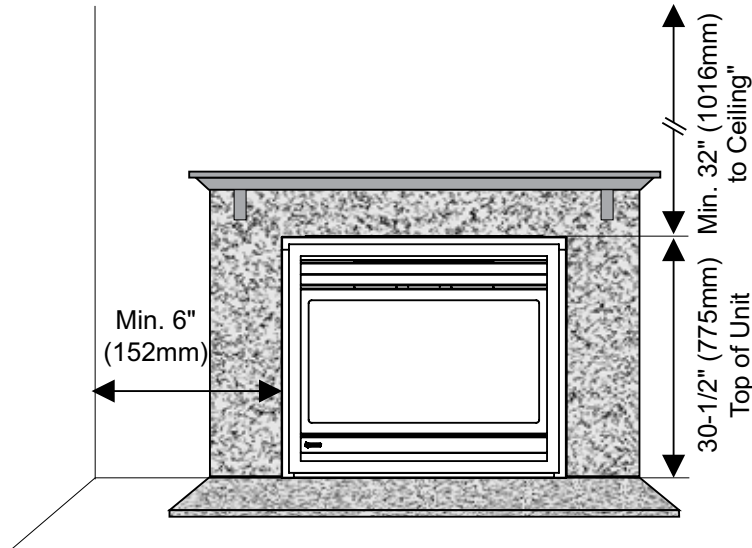


Diagram 3 Shown with optional finishing trim

## CLEARANCES



## COMBUSTIBLE MANTEL CLEARANCES

Because of the extreme heat this fireplace emits, the mantel clearances are critical.

Combustible mantel clearances from top of unit are shown in the diagram below.

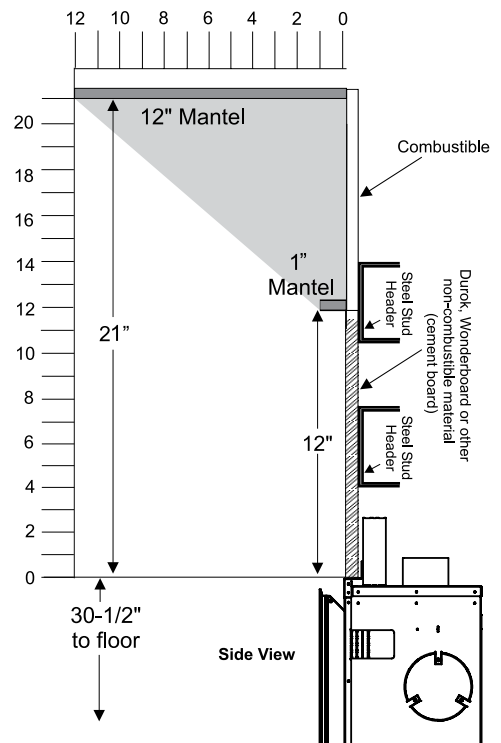
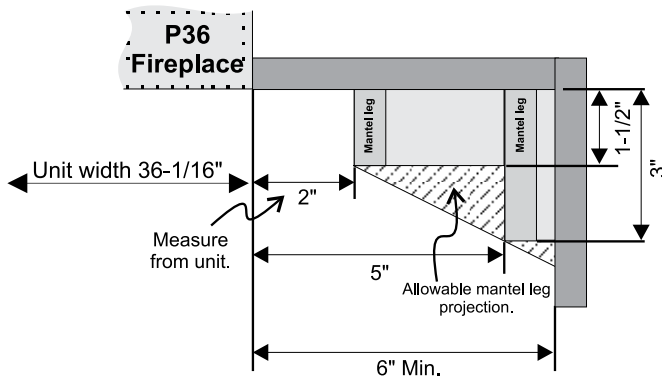
**Note:** A non-combustible mantel may be installed at a lower height if the framing is made of metal studs covered with a non-combustible board.

Note: Mantel starts at 1" deep and end at 12" deep.

**Note:** Ensure the paint that is used on the mantel and the facing is "heat resistant" or the paint may discolour.

## REGENCY® MANTEL LEG CLEARANCES

Combustible mantel leg clearances as per diagram:  
Maximum 1-1/2" projection at 2" minimum clearance.



## VENTING

### DIRECT VENT SYSTEM (FLEX)

#### HORIZONTAL TERMINATIONS ONLY

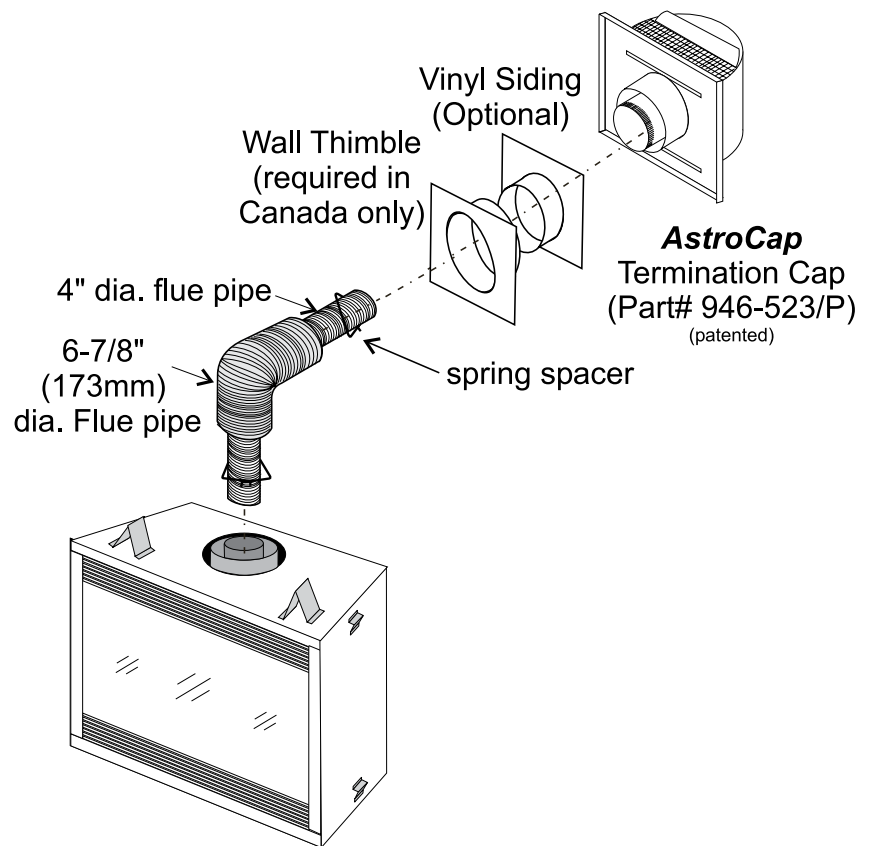
These venting systems, in combination with the P36 Direct Vent Gas Fireplace, have been tested and listed as a direct vent heater system by Warnock Hersey. The location of the termination cap must conform to the requirements in the Vent Terminal Locations diagram in the "Exterior Vent Termination Locations" section.

**Regency Direct Vent (Flex) System Termination Kit (Part # 946-515) includes all the parts needed to install the P36 with a maximum run of 4 feet.**

1)	6-7/8" dia. flexible liner (4 ft. length)
2)	4" dia. flexible liner (4 ft. length)
3)	spring spacers (4)
4)	thimble (2)
5)	<b>AstroCap</b> termination cap (1)
6)	screws (12)
7)	tube of Mill Pac (1)
8)	plated screws (8)
9)	screws #8 x 1-1/2" Drill Point, Stainless Steel (4)

**If longer runs are needed, the Regency Direct Vent system (Flex) # 946-516 includes all the parts needed to install the P36 with a maximum 10' run.**

1)	6-7/8" dia. flexible liner (10 ft. length)
2)	4" dia. flexible liner (10 ft. length)
3)	spring spacers (7)
4)	thimble (2)
5)	<b>AstroCap</b> termination cap (1)
6)	screws (12)
7)	tube of Mill Pac (1)
8)	plated screws (8)
9)	screws #8 x 1-1/2" Drill Point, Stainless Steel (4)



#### Notes:

- 1) Liner sections should be continuous without any joints or seams.
- 2) Only Flex pipe purchased from Regency may be used for Flex installations.

## RIGID PIPE VENTING SYSTEMS

### Horizontal or Vertical Terminations

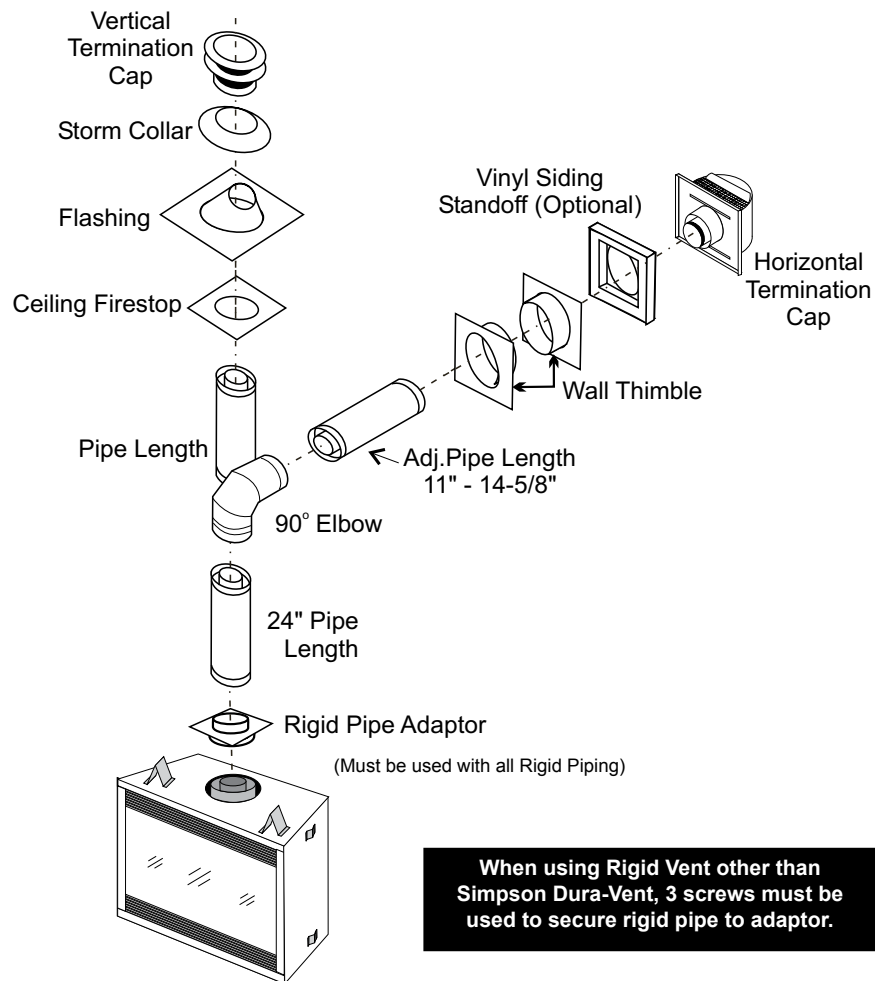
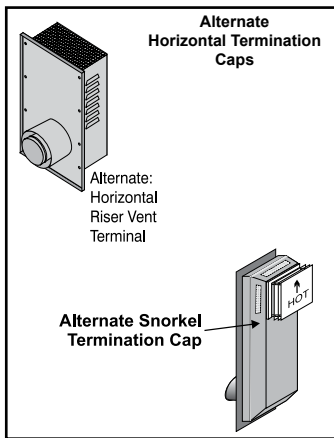
The minimum components required for a basic horizontal termination are:

- 1 Horizontal Termination Cap
- 1 90° Elbow
- 1 Rigid Pipe Adaptor
- 1 Wall Thimble
- 1 Length of pipe to suit wall thickness (see chart)

Wall thickness is measured from the back standoffs to the inside mounting surface of termination cap. For siding other than vinyl furring strips may be used, instead of the vinyl siding standoff, to create a level surface to mount the vent terminal. The Terminal must not be recessed into siding. Measure the wall thickness including furring strips.

If a Vinyl Siding Standoff is required (it must be used with vinyl siding), measure to outside surface of wall without siding and add 2 inches.

Flat Wall Installation	
Wall Thickness (inches)	Vent Length Required (inches)
4" - 5-1/2"	6"
7" - 8-1/2"	9"
10" - 1-1/2"	12"
9" - 14-1/2"	11" - 14-5/8" Adj. Pipe
15" - 23-1/2"	17" - 24" Adj.
Corner Installation	
Wall Thickness (inches)	Vent Length Required (inches)
3-1/4" - 6-3/4"	11" - 14-5/8" Adj. Pipe
7-3/4" - 16-1/4"	17" - 24" Adj. Pipe
7-1/4" - 8-3/4"	6" + 12" 9" + 9"
4-1/4" - 5-3/4"	6" + 9"



#### **WARNING:**

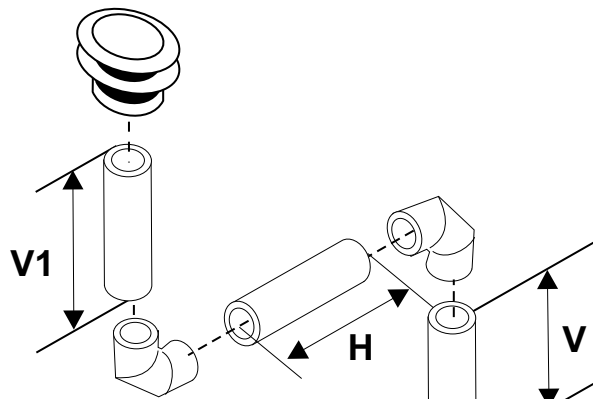
Do not combine venting components from different venting systems.

However use of the AstroCap™ and Regency Riser is acceptable with all systems.

This product has been evaluated by Intertek for using a Rigid Pipe Adaptor in conjunction with DuraVent Direct-Vent, Selkirk Direct-Temp, Ameri Vent Direct venting and Security Secure Vent systems. Use of these systems with the Rigid Pipe adaptor is deemed acceptable and does not affect the Intertek WHI listing of components.

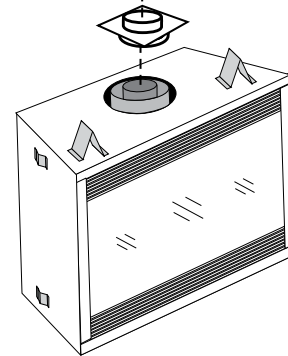
The Regency AstroCap™ and Regency Riser Vent terminal are certified for installations using Regency venting systems as well as Simpson Dura-Vent® Direct Vent, American Metal Products Ameri Vent Direct Vent, Security Secure Vent®, Selkirk Direct-Temp. AstroCap™ is a proprietary trademark of Regency Fireplace Products. Dura-Vent® and Direct Vent are registered and/or proprietary trademarks of Simpson Dura-Vent Co. Inc.

### Vertical Venting with Two (2) 90° Elbows

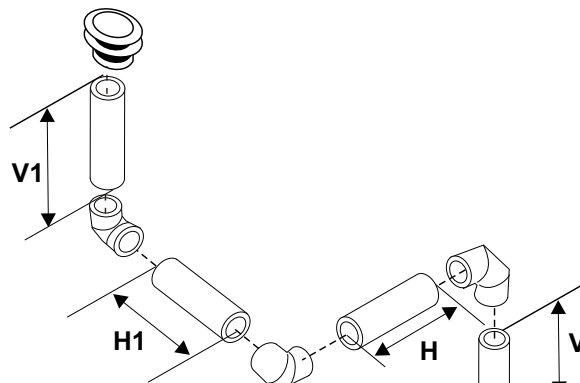


One 90° elbow = Two 45° elbows.

Option	V	H	V + V1	
A)	0' Min.	2' Max.	1' Min.	With these options, max. total pipe length is 30 feet with min. of 6 feet total vertical and max. 8 feet total horizontal.  <b>Please note min. 1 foot between 90° elbows is required.</b>
B)	1' Min.	4' Max.	2' Min.	
C)	2' Min.	5' Max.	3' Min.	
D)	3' Min.	6' Max.	4' Min.	
E)	4' Min.	7' Max.	5' Min.	
F)	5' Min.	8' Max.	6' Min.	
Lengths do not include elbow indicated				
For additional vertical venting with 2 x 90° elbows, refer to next page.				

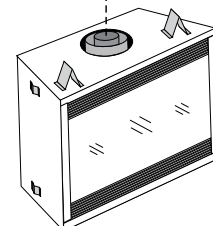


### Vertical Venting with Three (3) 90° Elbows



One 90° elbow = Two 45° elbows.

Option	V	H + H1	V + V1	
A)	0' Min.	2' Max.	2' Min.	With these options, max. total pipe length is 30 feet with min. of 10 feet total vertical and max. 8 feet total horizontal.  <b>Please note min. 1 foot between 90° elbows is required.</b>
B)	1' Min.	2' Max.	3' Min.	
C)	2' Min.	3' Max.	4' Min.	
D)	3' Min.	4' Max.	6' Min.	
E)	4' Min.	5' Max.	7' Min.	
F)	5' Min.	6' Max.	8' Min.	
G)	6' Min.	7' Max.	9' Min.	
H)	7' Min.	8' Max.	10' Min.	
Lengths do not include elbow indicated				

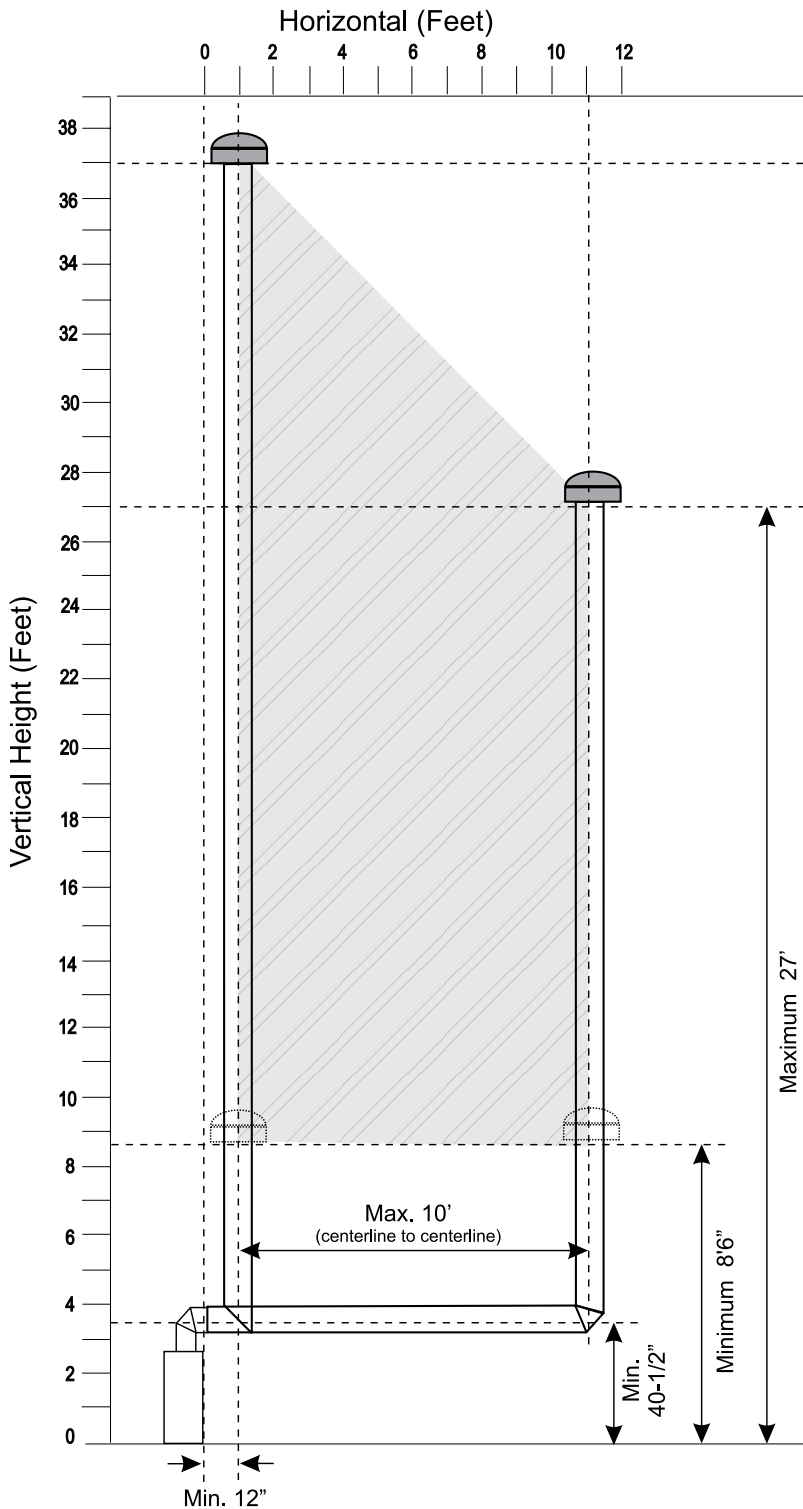




## RIGID PIPE VENTING ARRANGEMENTS VERTICAL TERMINATIONS

### (Propane & Natural Gas)

The shaded area in the diagram shows all allowable combinations of straight vertical and offset to vertical terminations, using two 90° elbow, with **Rigid Pipe** vent systems for Propane and Natural Gas.



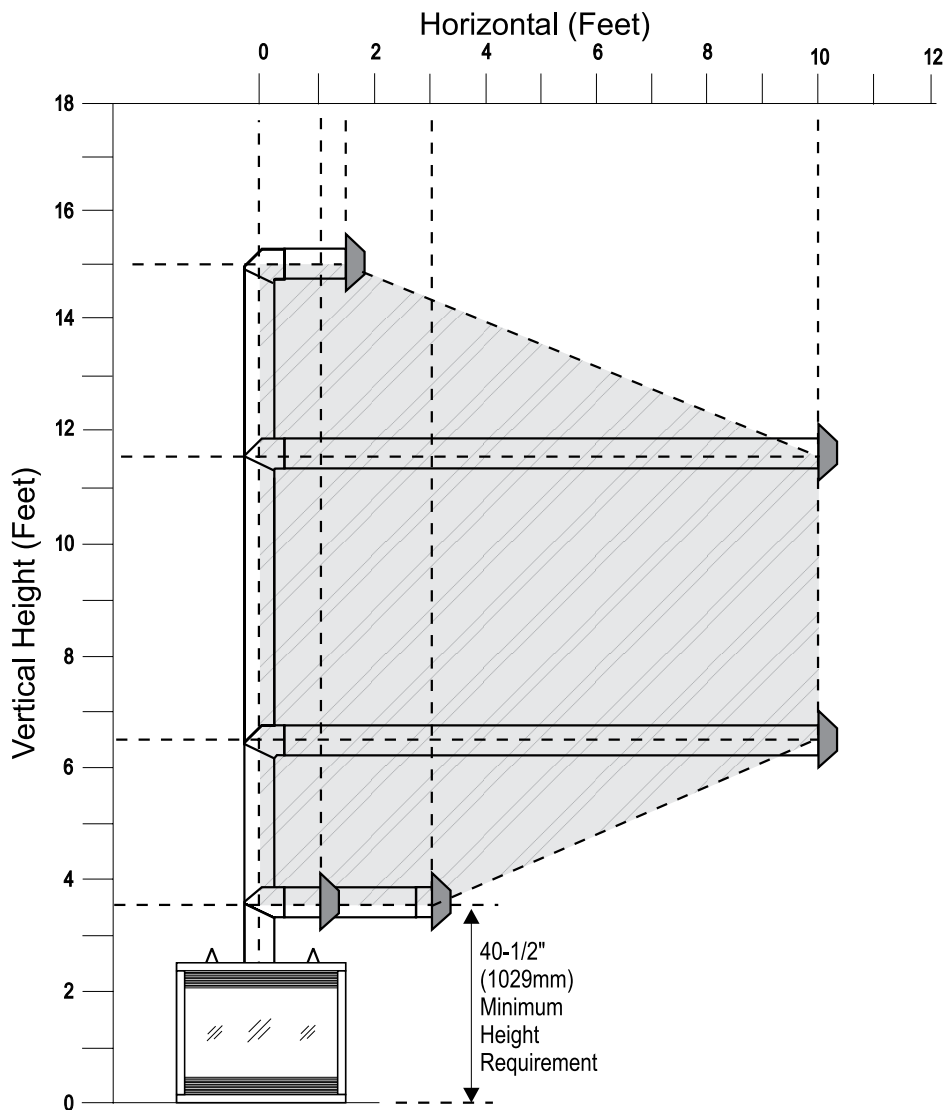
- Vent must be supported at offsets.
- Firestops are required at each floor level and whenever passing through a wall.
- Maintain clearances to combustibles.

**Note:** Must use optional rigid pipe adaptor when using rigid vent systems (Part # 510-994).

## RIGID PIPE VENTING ARRANGEMENTS HORIZONTAL TERMINATIONS *Regency DIRECT VENT SYSTEM (FLEX) (Propane & Natural Gas)*

The diagram shows all allowable combinations of vertical runs with horizontal terminations, using one 90° elbow (two 45° elbows equal one 90° elbow).

**Note:** Must use optional rigid pipe adaptor (Part # 510-994) when using Rigid Pipe venting systems.



**All Rigid Pipe Systems**  
4" inner diameter  
6-5/8" outer diameter

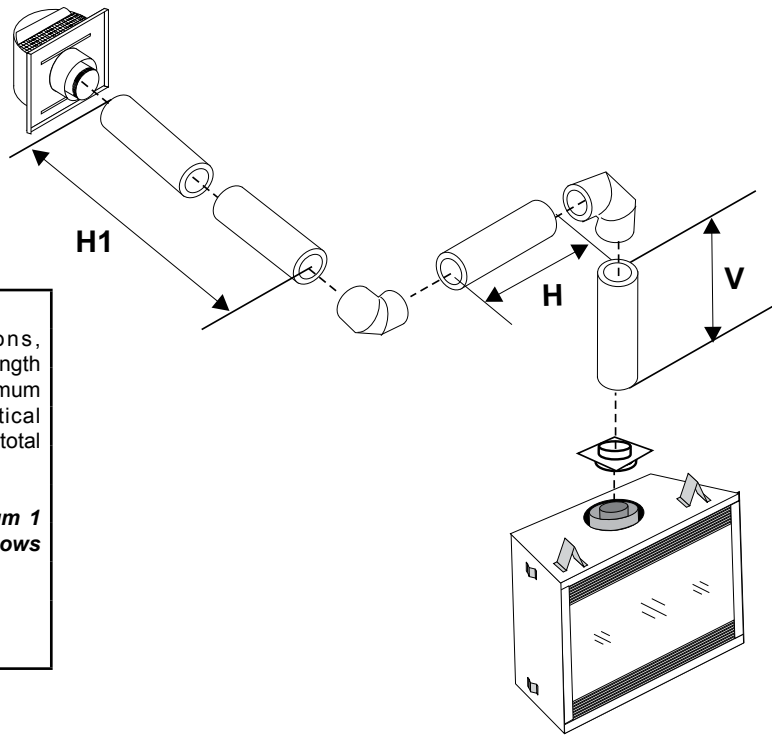
**RegencyFlex Vent**  
4" inner diameter  
6-7/8" inner diameter

A vent guard should be used whenever the termination is lower than the specified minimum or as per local codes.

**Note:** RegencyDirect Vent System (Flex Part #'s 946-515, 946-516) is only approved for horizontal terminations.

- Maintain clearances to combustibles.
- Horizontal vent must be supported every 3 feet.
- Firestops are required at each floor level and whenever passing through a wall.

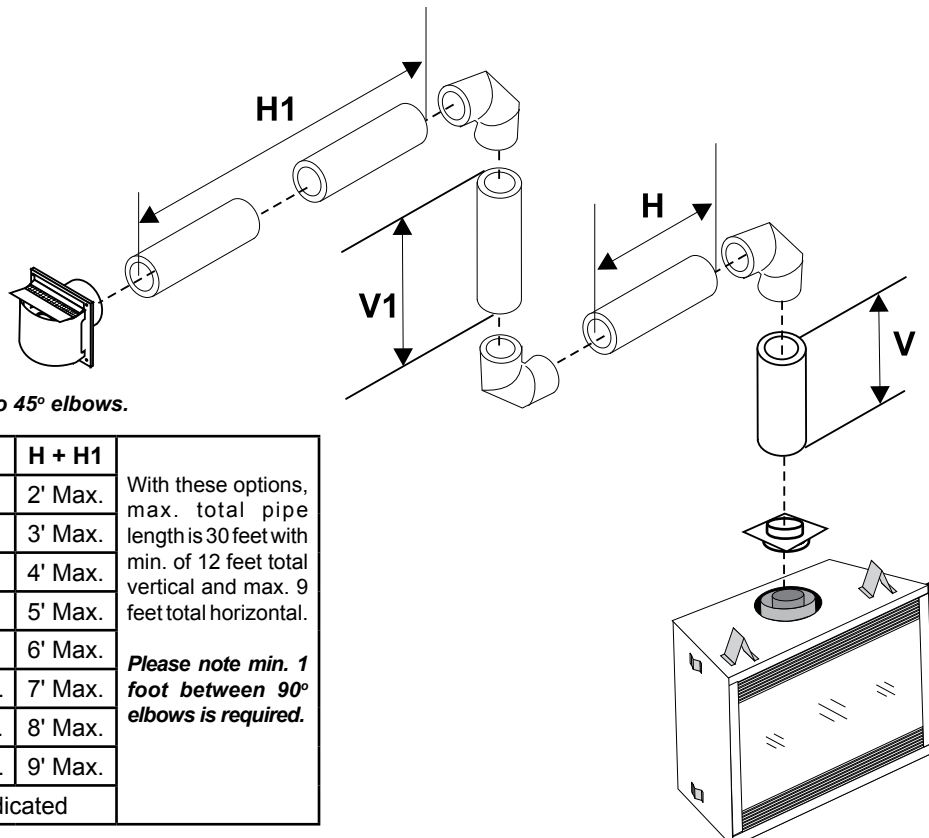
### Horizontal Venting with Two (2) 90° Elbows



One 90° elbow = Two 45° elbows.

Option	V	H + H1	With these options, maximum total pipe length is 30 feet with minimum of 6 feet total vertical and maximum 8 feet total horizontal.  <i>Please note minimum 1 foot between 90° elbows is required.</i>
A)	0' Min.	2' Max.	
B)	1' Min.	3' Max.	
C)	2' Min.	4' Max.	
D)	3' Min.	5' Max.	
E)	4' Min.	6' Max.	
F)	5' Min.	7' Max.	
G)	6' Min.	8' Max.	
Lengths do not include elbow indicated			

### Horizontal Venting with Three (3) 90° Elbows



One 90° elbow = Two 45° elbows.

Option	V	H	V + V1	H + H1	With these options, max. total pipe length is 30 feet with min. of 12 feet total vertical and max. 9 feet total horizontal.  <i>Please note min. 1 foot between 90° elbows is required.</i>
A)	0' Min.	1' Max.	1' Min.	2' Max.	
B)	1' Min.	2' Max.	3' Min.	3' Max.	
C)	2' Min.	2' Max.	5' Min.	4' Max.	
D)	3' Min.	2' Max.	7' Min.	5' Max.	
E)	4' Min.	3' Max.	9' Min.	6' Max.	
F)	5' Min.	4' Max.	10' Min.	7' Max.	
G)	6' Min.	5' Max.	11' Min.	8' Max.	
H)	7' Min.	6' Max.	12' Min.	9' Max.	
Lengths do not include elbow indicated					

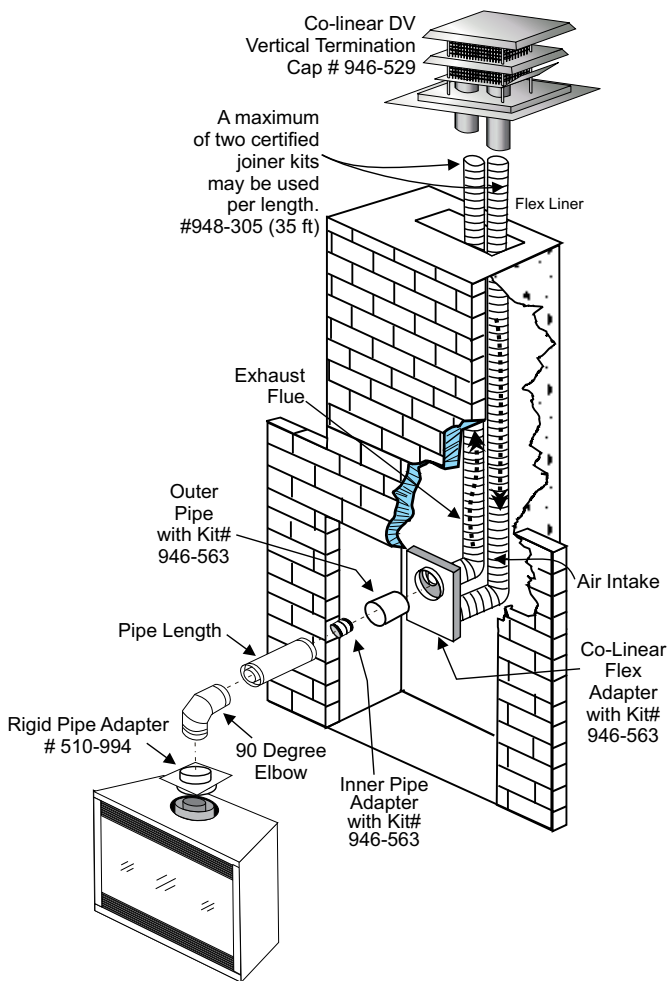
## Vertical Termination with Co-Linear Flex System

The appliance must not be connected to a chimney flue serving a separate solid fuel burning appliance.

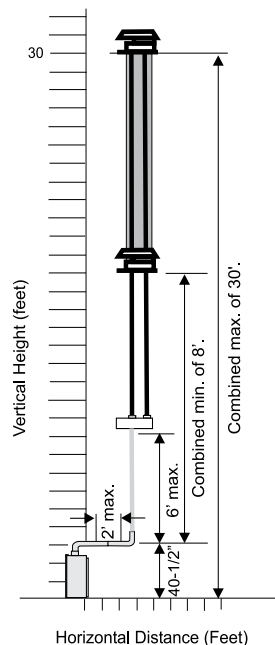
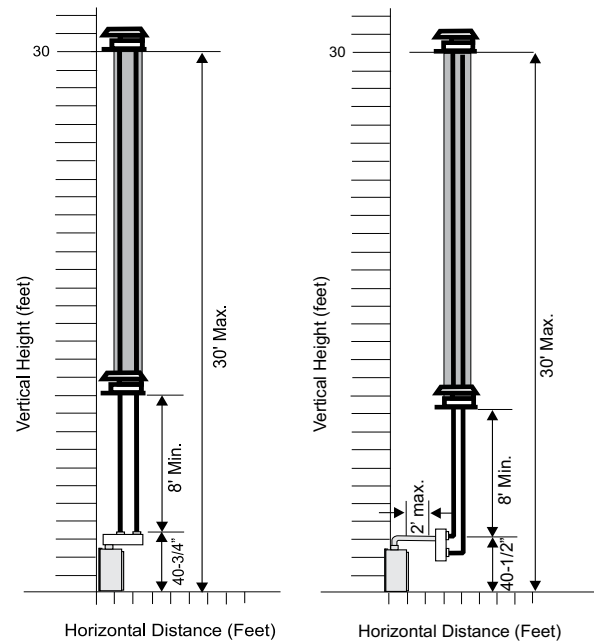
Masonry chimneys may take various contours which the flexible liner will accommodate. However, **keep the flexible liner as straight as possible**, avoid unnecessary bending.

The Air Intake pipe must be attached to the inlet air collar of the termination cap.

This appliance is designed to be attached to two 3" (76mm) co-linear aluminium flex running the full length of the chimney. See the Venting Arrangements for minimum and maximum heights.



Required Parts:	
Part #	Description
946-529	Co-linear DV Vertical Termination Cap
948-305	3" Flex - 35 ft.
946-563	Coaxial to Co-linear Adapter Kit which contains the following: Co-linear Flex Adapter Outer Pipe Inner Pipe Adapter
510-994	Flue Adapter
46dva-E45	45° Elbow
Alternate Approved Caps	
46dva-VC	Vertical Termination Cap
46dva-VCH	High Wind Cap
46dva-GK	3" Co-linear Adapter with flashing



The shaded area in the diagrams show the allowable vertical terminations.

Please refer to Exterior Vent Terminations for additional guidelines on vent locations.