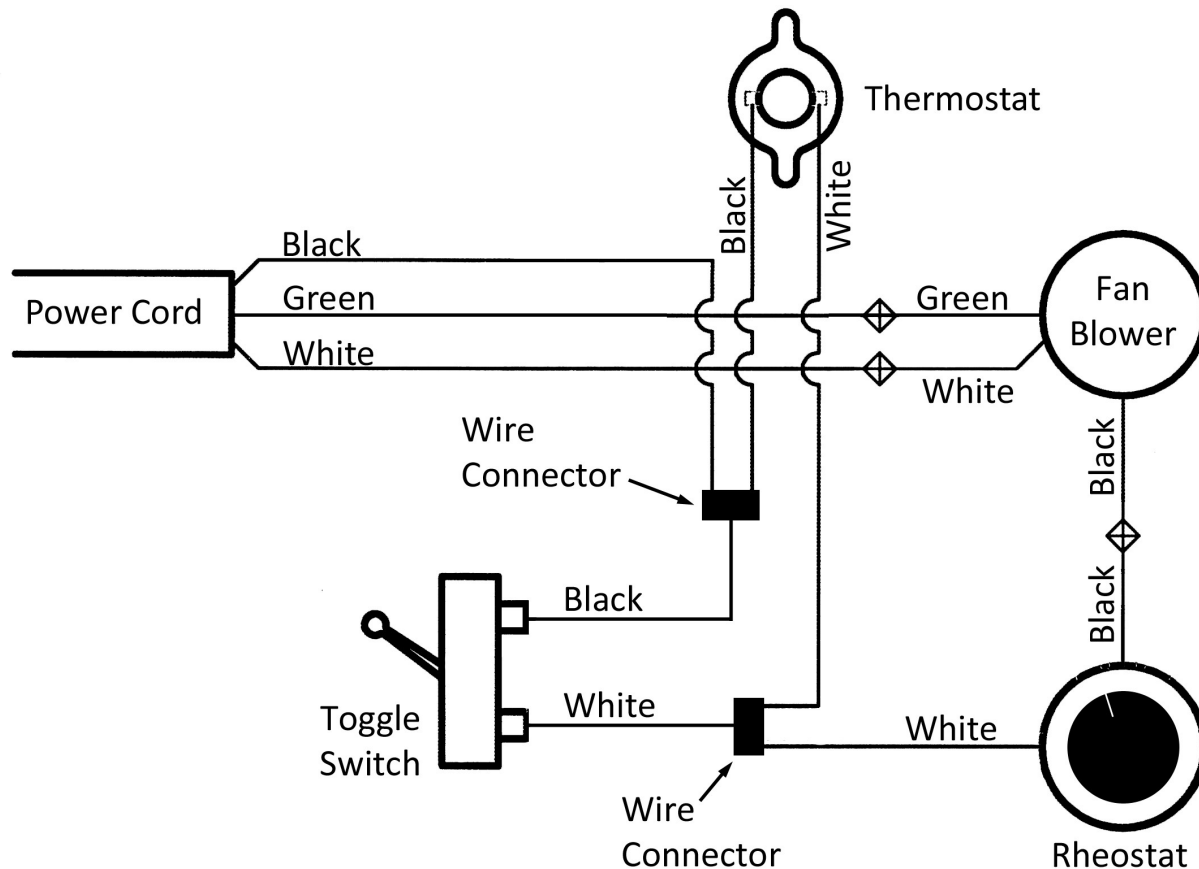


Obadiah's Fireplace Conversion Cookstove

Wiring Diagram



POWER CORD

Exits Heat Champion in bottom channel, can go out either side and connects to 120v AC current. Black is "hot", White is "neutral", and Green is "ground".

TOGGLE SWITCH (Part # TOGSWI)

Located bottom right and accessible through removable louver. Toggles between Manual Control and Thermostat Control. In Manual Control position, power is fed from power cord directly to Rheostat so the fan will run regardless of temperature. In Thermostat Control position, power is fed from power cord to Rheostat through the Thermostat so that the fan only runs if unit is hot enough (110°).

THERMOSTAT (Part # THERMO)

Located behind Fan Blower which is behind right-hand removable louver. Turns power On at 110° and goes Off at 90°. Is silver in color and has two wire connectors on back. Black wire connects to Black from Power Cord and Thermostat with Wire Connector, while white wire connects to White from Thermostat and Rheostat with Wire Connector.

RHEOSTAT (Part # RHESTA)

Located bottom right and accessible through removable louver. Black wire from Rheostat connects with black wire from Fan Blower and white wire connects to Toggle Switch and Thermostat with Wire Connector.

FAN BLOWER (Part # BLOHECH)

Located behind right-hand removable louver and has three wires exiting housing. Black is "positive", White is "neutral", Green is "ground".



Obadiiah's

1-800-968-8604

WOODSTOVES

Serving you online since 1999