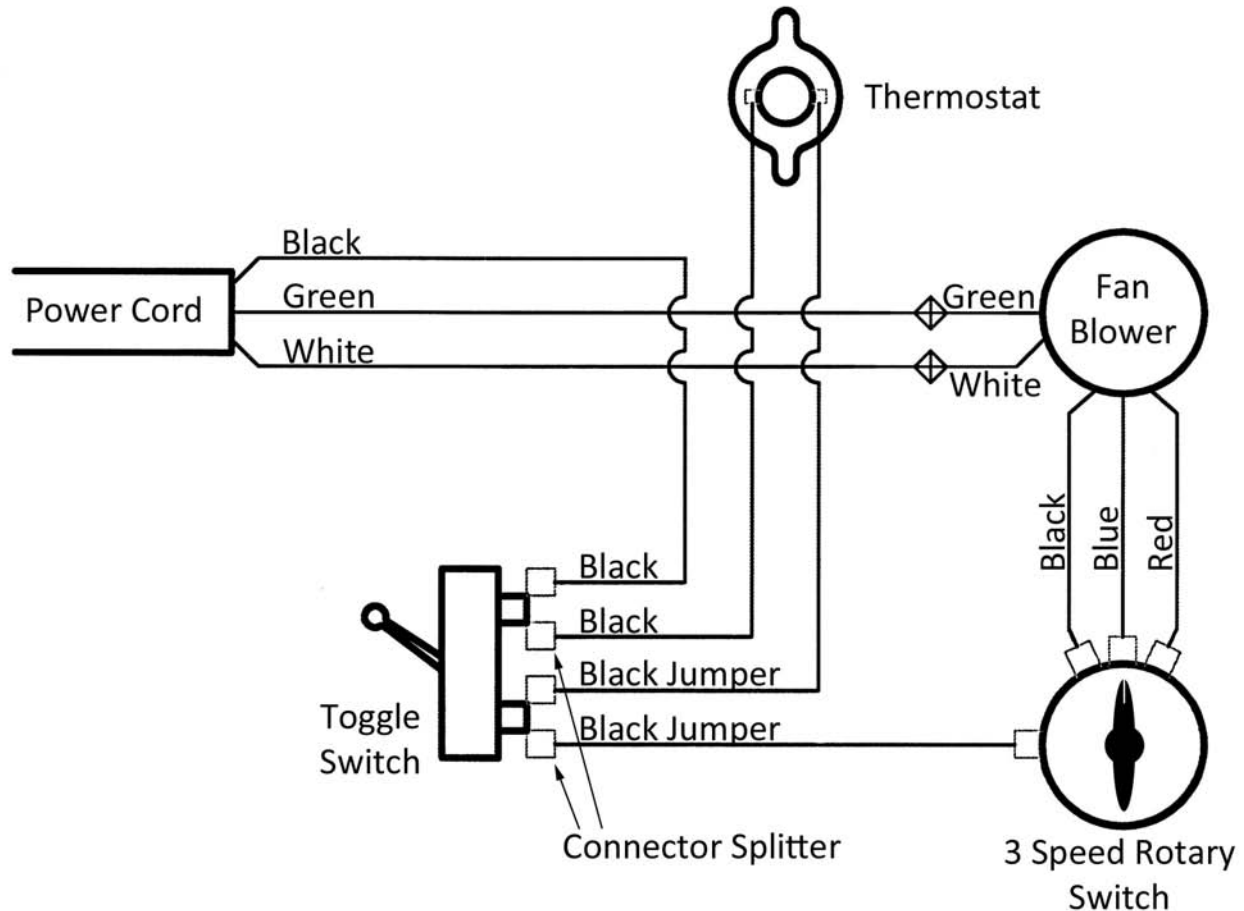


# Obadiah's Wood 2500 Stove/Insert Wiring Diagram



## POWER CORD

Exits stove on lower left side and connects to 120v AC current. Black is "hot", White is "neutral", and Green is "ground".

## THERMOSTAT (Part # THERMO)

Located under stove near switches and turns power On at 110° and goes Off at 90°. Is silver in color and has two wire connectors on back.

## TOGGLE SWITCH (Part # TOGSWI)

Located on lower left side and toggles between "Manual" and "Therm". In "Manual" position, power is fed from power cord directly to 3 Speed Rotary Switch so the fan will run regardless of temperature. In "Therm" position, power is fed from power cord to 3 Speed Rotary Switch through the Thermostat so that the fan only runs if unit is hot enough (110°).

## 3 SPEED SWITCH (Part # 3SPSW2500)

Located on lower left side and turns fan speed to High, Medium, Low, and Off. Has four wire connectors on back. Solitary connector is for common ("hot"). The three grouped connectors are for High, Medium, and Low speeds.

## FAN BLOWER (Part # BLO2500)

Mounts under stove and has five wires exiting housing. Black is High, Blue is Medium, Red is Low, White is "neutral", Green is "ground".

Replacement parts are available at [www.stove-parts.net](http://www.stove-parts.net)

Technical support is available: (1) Call Obadiahs 406-300-1776 (2) Email [sales@woodstoves.net](mailto:sales@woodstoves.net)



**Obadiiah's**

**1-800-968-8604**

---

**WOODSTOVES**

*Serving you online since 1999*