

# 36CDVZTRN Tribute Direct Vent Gas Fireplaces



## GLASS VIEWING AREA

29-1/2" W x 19" H (561 sq.in.)

## TECHNICAL INFORMATION

Max. Btu Input: 14,700 - 21,000 (NG) 15,750 - 21,000 (LP)

36" clean face firebox

FE Ratings (Fireplace Efficiency): 57% NG / 57% LP

AFUE by D.O.E Ratings: 63% NG / LP

Thermal Efficiency: 76.5% NG / 78% LP

Dimensions (Actual): 35-1/4" (front width) / 25" (rear width) x 32-1/8" H x 16-5/8" D

Dimensions (Framing): 36-1/4" W x 35" H x 17-1/8" D

Uses 4" x 7" Twist Lock direct vent pipe

Attached 17' low voltage wire connected to valve for remote operation hook-up

18" flex line with On/Off shut-off valve included

CSA Design Certified

## FIELD INSTALLED ACCESSORIES

Fan and Cord (160cfm) (FK12)

Ambient Technologies™ Remote Controls and Thermostats

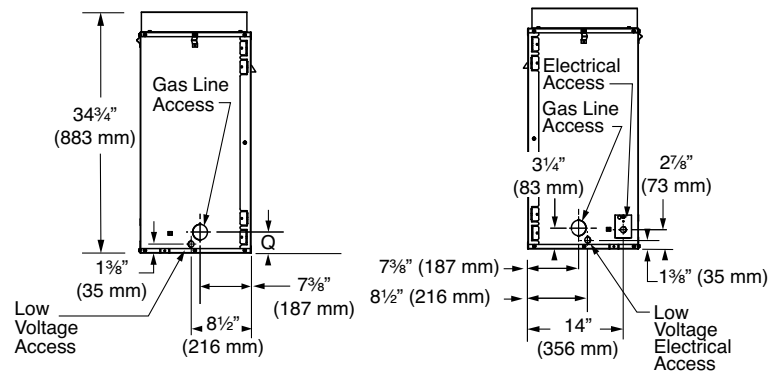
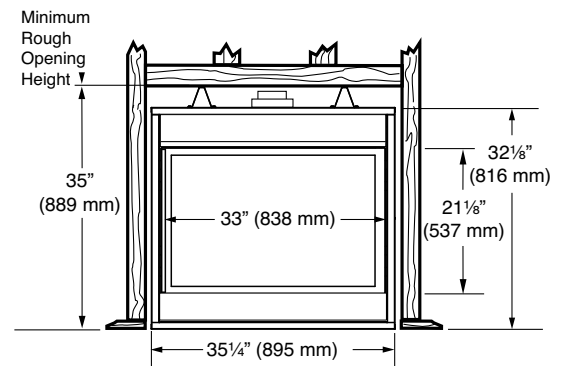
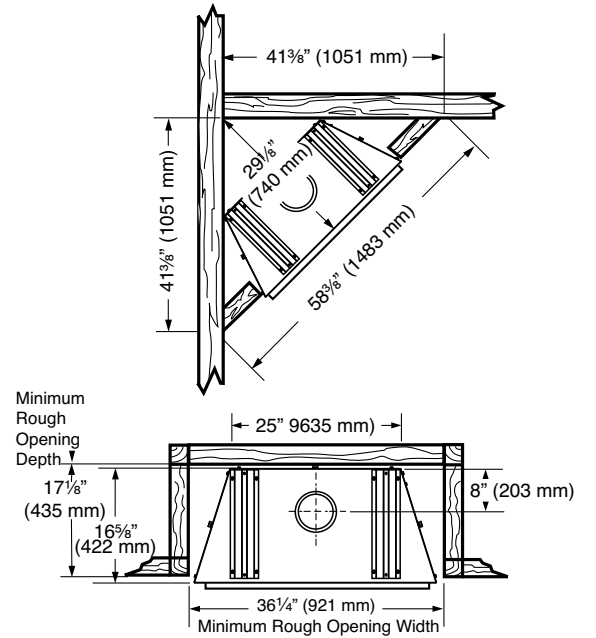
Variable Speed Control (SCVS)

Conversion Kit 36CDVZ to LP (20010507)

Perimeter Trim - Black (36CDVTK)

Vent Kits available: (7TCRVT) horizontal vent for 7"-13" horizontal length and (7TCRVT1320) horizontal vent kit for 13"-20" horizontal length

90 Degree Elbow (7TCDV90)



A Brand of Monessen Hearth Systems Co.  
149 Cleveland Drive, Paris, Kentucky 40361  
[www.majesticproducts.com](http://www.majesticproducts.com)

