

PRODUCT SPECIFICATIONS

400DVBLSC(7) Solitaire Direct Vent System



GLASS VIEWING AREA

29"W x 25-13/16"H (754 Square Inches)

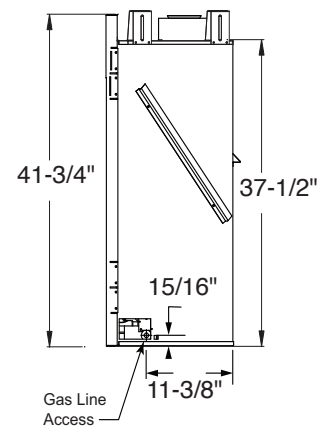
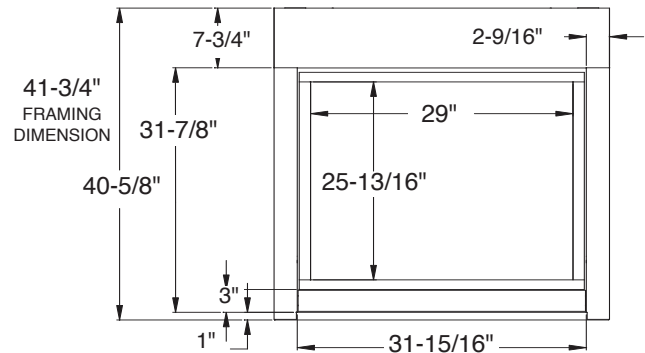
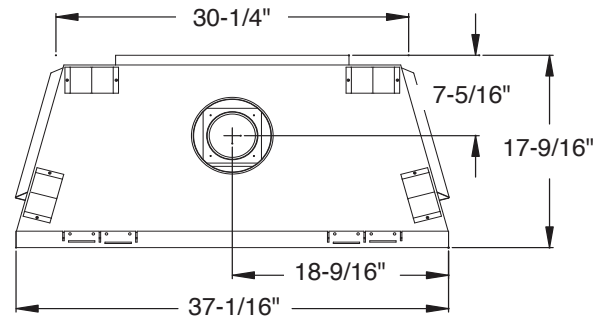
TECHNICAL INFORMATION

- Max. Btu Input: 26,000 BTU/HR
- Ignition System: Signature Command™ System
- Gas Type: Natural or LP
- Flue Type: Twist-Lock Pipe
- Termination: Top vent
- Clearance to Flue for interior: 3" Top, 1" Bottom and Sides**
- Clearance to Flue for Outside Wall: 1"
- Clearance to Fireplace: 1"
- Minimum Vent Height Before Elbow: 12"
- CSA Design Certified

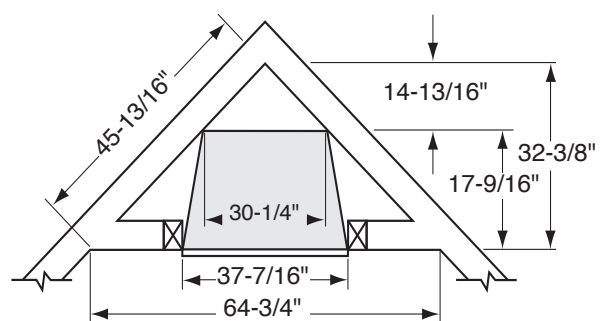
FIELD INSTALLED ACCESSORIES

- Firebrick: Tavern Brown, Cottage Red or Olde English Herringbone
- Variable Thermostat Controlled Dual Forced Air Blower (160 cfm) - BLOTBLDV
- Signature Command™ Dual Forced Air Blower (160 cfm) - BLOTBLDVSC
- Andirons
- Mesh Glass Cover
- Ambient Technologies™ Remote Controls and Thermostats
- Contemporary Stone Kit (requires porcelain liner)
- Porcelain Black Liner Kit
- New Glass options: Onyx, Diamond, Emerald, Sapphire, Bronze

**If vertical rise is 7-1/2 feet or higher the vent clearance to combustibles is 1" on a sides of the horizontal run.



FRAMING DIMENSIONS



A Brand of Monessen Hearth Systems Co.
149 Cleveland Drive, Paris, Kentucky 40361
www.majesticproducts.com



To avoid personal injury or property damage, the product described by this brochure must be installed, operated and maintained in strict compliance with the instructions packaged with the product and all applicable building or fire codes. Contact local building or fire officials about restrictions and installation inspection requirements. All photographs and drawings on this brochure are for illustrative purposes only and are not intended for, nor should they be used as a substitute for the instructions packaged with the unit. Appearance and specifications of the product are subject to change without notice. 09/10 ver.1