

PRODUCT SPECIFICATIONS

KSTDV Marquis Clear View See-Thru DV Fireplace System



FRAMING DIMENSIONS

Width: 50"

Height: 44-3/4"

Depth: 23"

TECHNICAL INFORMATION

Clear-View ceramic glass: viewing area of 2160 square inches (both sides)

BTU Rating: 56,000

Fuel Type: NG or LP

Top venting only with 5x8 direct vent pipe

Total Signature Command Control (TSC) with full function TSFSC hand held remote control included

Fit chases with 24" depth

CSA Design Certified

FIELD INSTALLED ACCESSORIES

Stainless steel out

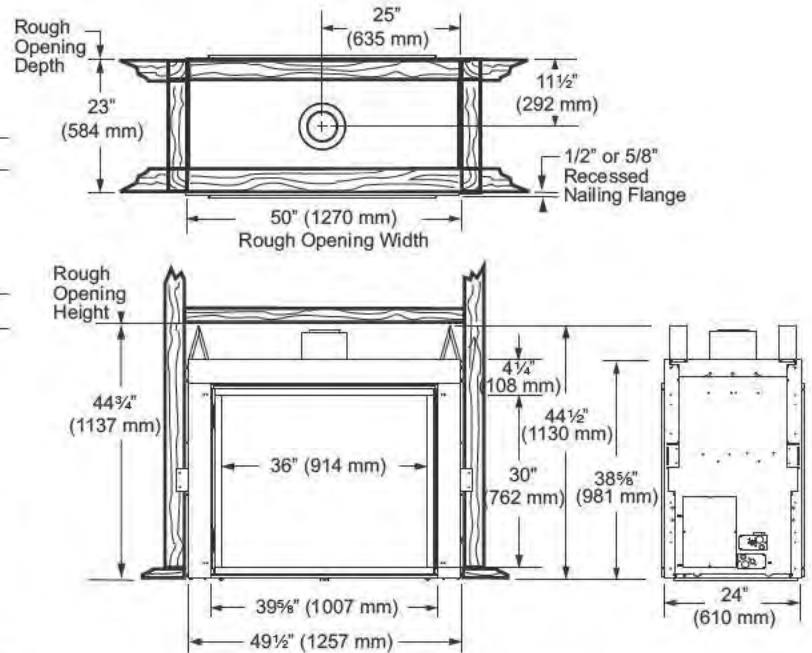
Accent light provided standard with manual control dimmer

Three styles of firebrick to choose from (one required)

Decorative arched doors with hand forged designer inlays

Two optional andirons designs

Variable thermostat controlled forced air blower



A Brand of Monessen Hearth Systems Co.
149 Cleveland Drive, Paris, Kentucky 40361
www.majesticproducts.com



To avoid personal injury or property damage, the product described by this brochure must be installed, operated and maintained in strict compliance with the instructions packaged with the product and all applicable building or fire codes. Contact local building or fire officials about restrictions and installation inspection requirements. All photographs and drawings on this brochure are for illustrative purposes only and are not intended for, nor should they be used as a substitute for the instructions packaged with the unit. Appearance and specifications of the product are subject to change without notice. 02/10