

PRODUCT SPECIFICATIONS

SB38/SB38HB Biltmore Radiant Wood Burning Fireplaces



FIREPLACE OPENING

Front opening width: 38"
 Front opening height: 27"

TECHNICAL INFORMATION

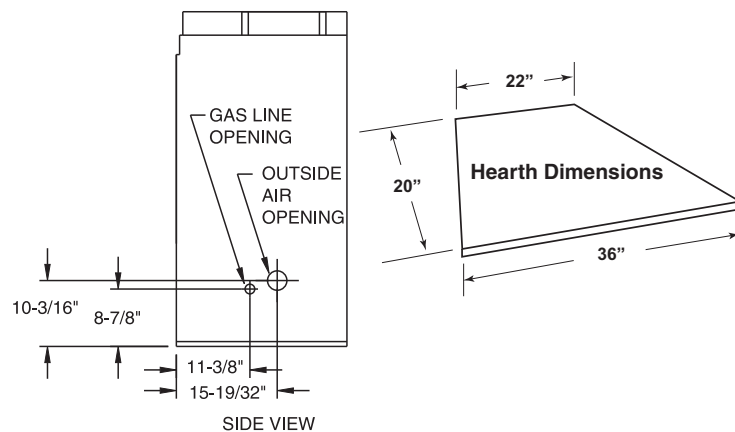
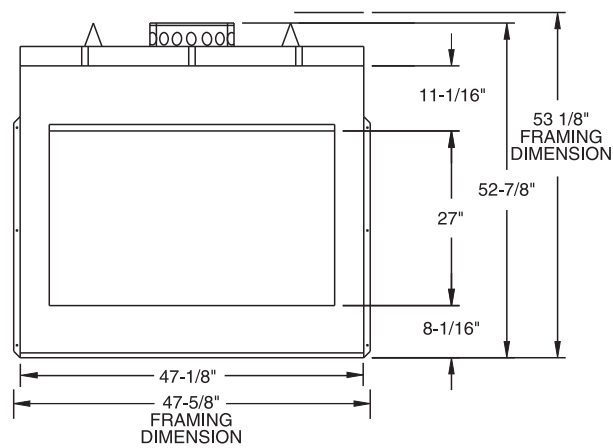
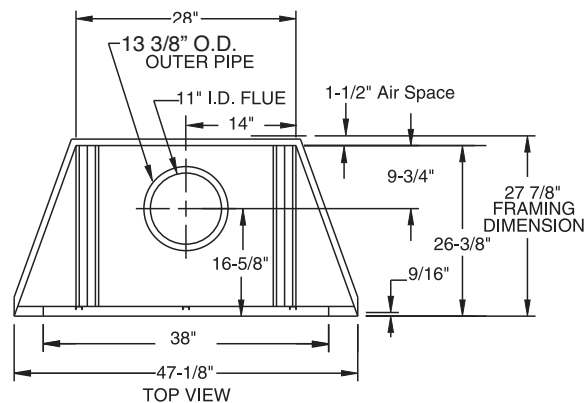
Flue Series (Std.): 11CF Double Wall Chimney
 Flue Size: 11" Inner; 13-3/8" Outer
 Clearance to Flue : 2"
 Firestop Framing: 17-1/2" x 17-1/2"
 Minimum Flue Height: 15'
 Maximum Flue Height: 86' (Chimney support every 25")
 Minimum Height with 2 Elbows: 15'
 Minimum Height with 4 Elbows: 21'
 Clearance to Fireplace: 1-1/2"
 Minimum Hearth Size (D x L): 20" x 62"
 UL/ULC Design Certified

FACTORY INSTALLED OPTIONS

Refractory firebrick: SB38 model
 Refractory Herringbone firebrick: SB38HB model

FIELD INSTALLED ACCESSORIES

Glass Doors: GDPB48 (Polished Brass finish), GDB48 (Black)
 Outside Air Kit - AK4, FP4U, 403
 Terminations (Std.): RLTCF11, RLTCF11L, SLTCF11 & Traditional Chase Shrouds



Framing dimensions in illustrations accommodate 1/2" finishing material.



A Brand of Monessen Hearth Systems Co.
 149 Cleveland Drive, Paris, Kentucky 40361
www.majesticproducts.com



To avoid personal injury or property damage, the product described by this brochure must be installed, operated and maintained in strict compliance with the instructions packaged with the product and all applicable building or fire codes. Contact local building or fire officials about restrictions and installation inspection requirements. All photographs and drawings on this brochure are for illustrative purposes only and are not intended for, nor should they be used as a substitute for the instructions packaged with the unit. Appearance and specifications of the product are subject to change without notice. 09/09