

PRODUCT SPECIFICATIONS

# WDV500 ECHELON Direct Vent Fireplace System



### GLASS VIEWING AREA

36-1/8" W x 13-3/4" H (495 sq.in.)

### TECHNICAL INFORMATION

Highly featured contemporary unit with compact design for ease of installation

Max. Btu Input: 34,000 BTU/HR NG; 33,000 BTU/HR LP

Ignition System: Total Signature Command System

Comes with RFSC hand held remote

Gas Type: Natural or LP

Top venting only with 5" x 8" direct vent pipe (requires 12" rise before 90 degree elbow for horizontal runs)

18" flex line with On/Off shut-off valve included

Contemporary bronze glass beads and natural stone kit included

Ceramic glass door with quick latch system for easy access

Contemporary glass illumination light system

CSA Design Certified

### FIELD INSTALLED ACCESSORIES

Liner Kit: Black Porcelain Liner Kit (WDV500PBL)

Trim Kits: Black Texture Inside Fit Trim Kit (WDV500TKB)

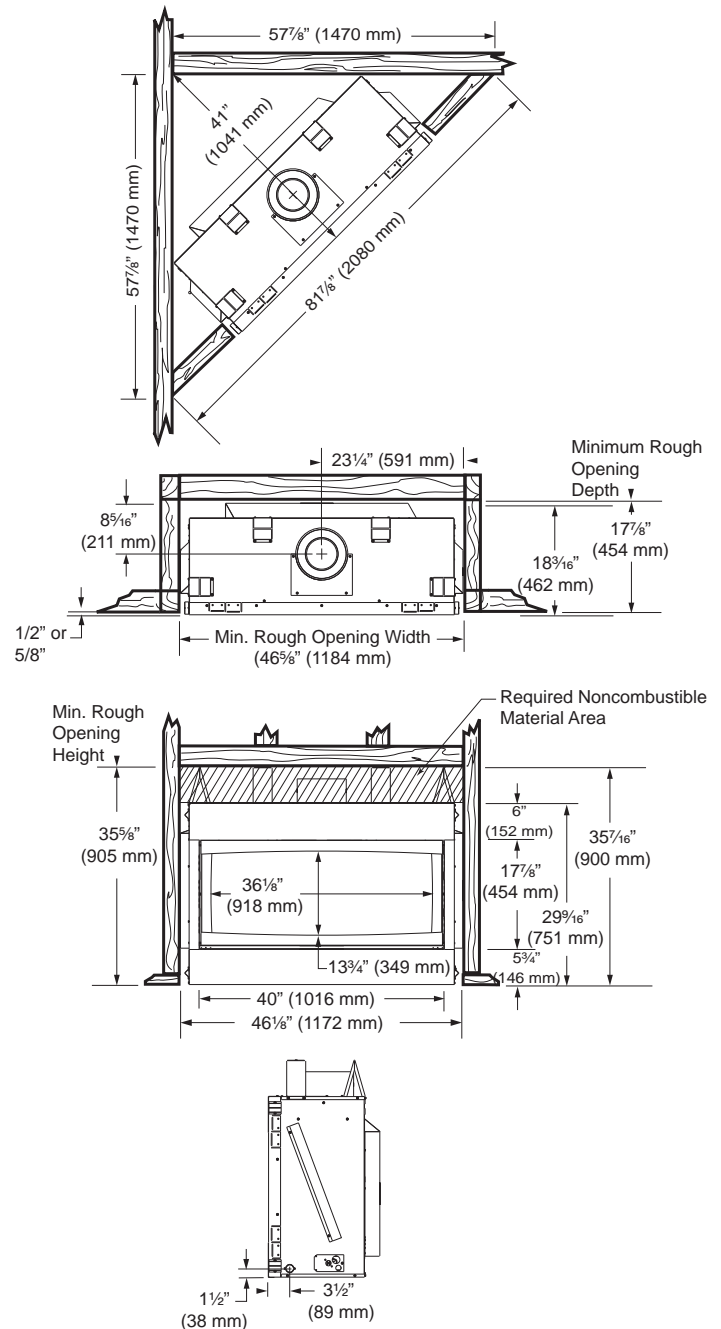
Signature Command System Forced Air Blower, 160 cfm. (BLOTBLDVSC)

Stone Studio Surround (W500SSM)

Stainless Steel Curved Face (WDV500FSS)

Aged Driftwood Log Set (ADW500)

New Glass options: Onyx, Diamond, Sapphire, Bronze, Emerald



A Brand of Monessen Hearth Systems Co.  
 149 Cleveland Drive, Paris, Kentucky 40361  
[www.majesticproducts.com](http://www.majesticproducts.com)



To avoid personal injury or property damage, the product described by this brochure must be installed, operated and maintained in strict compliance with the instructions packaged with the product and all applicable building or fire codes. Contact local building or fire officials about restrictions and installation inspection requirements. All photographs and drawings on this brochure are for illustrative purposes only and are not intended for, nor should they be used as a substitute for the instructions packaged with the unit. Appearance and specifications of the product are subject to change without notice. 02/10 v.2