

PRODUCT SPECIFICATIONS

300DVBHSC(7) Direct Vent Gas Fireplace



GLASS VIEWING AREA

27"W x 18"H (486 Square Inches)

TECHNICAL INFORMATION

Max. Btu Input: 23,000 BTU/HR

Ignition System: Standing Pilot

Gas Type: Natural or LP

Illustrated consumer-friendly deluxe control panel with easy lift off capabilities

Flue Type: Twist-Lock

Termination: Rear/Top Vent Convertible

Clearance to Flue for Interior: 3" Top, 1" Bottom and Sides**

Clearance to Flue for Outside Wall: 1"

Clearance to Fireplace: 1/2"

CSA Design Certified

FIELD INSTALLED ACCESSORIES

Louver: Brass and Pewter

Curved Trim: Brass, Pewter, Black

Medium Trim Kit: Brass, Pewter, Black

Variable Thermostat Controlled Forced Air Blower (160 cfm): BLOT

Tavern Brown firebrick

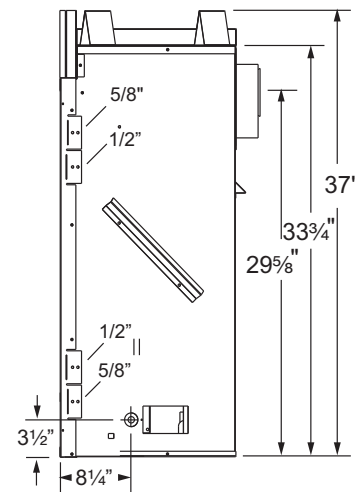
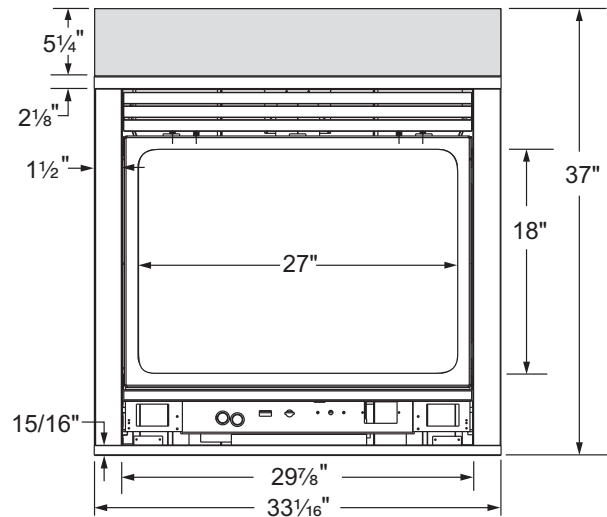
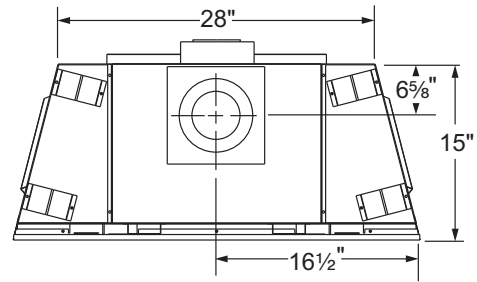
Cottage Red firebrick

Mesh Glass Cover

Ambient Technologies™ Remote Controls and Thermostats

Note: Firebrick is required for all DVBH models.

** If vertical rise is 7-1/2 feet or higher when in top vent configuration only, the vent clearance to combustibles is 1" on all sides of the horizontal run.



A Brand of Monessen Hearth Systems Co.
149 Cleveland Drive, Paris, Kentucky 40361
www.majesticproducts.com



To avoid personal injury or property damage, the product described by this brochure must be installed, operated and maintained in strict compliance with the instructions packaged with the product and all applicable building or fire codes. Contact local building or fire officials about restrictions and installation inspection requirements. All photographs and drawings on this brochure are for illustrative purposes only and are not intended for, nor should they be used as a substitute for the instructions packaged with the unit. Appearance and specifications of the product are subject to change without notice. 10/10 ver. 1