

PRODUCT SPECIFICATIONS  
**300DVBS7 Direct Vent System**



**GLASS VIEWING AREA**

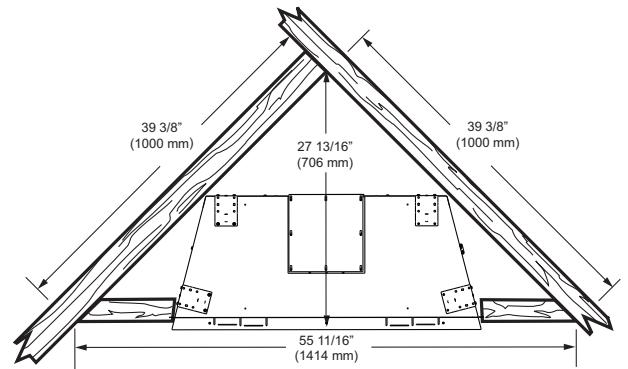
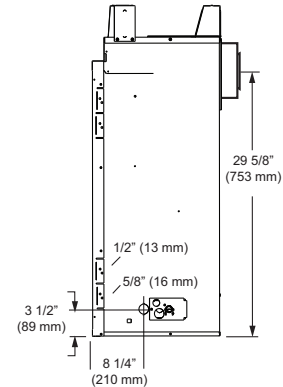
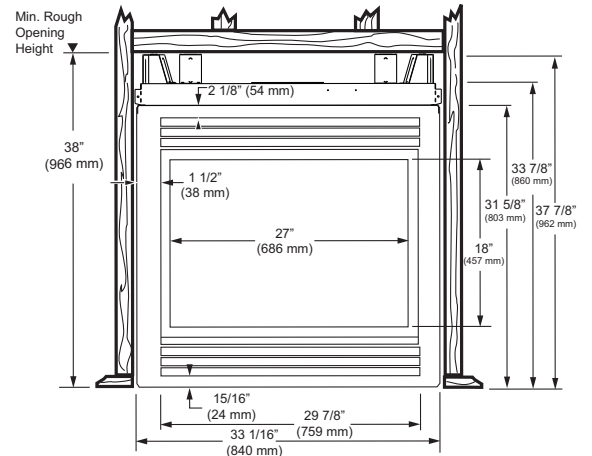
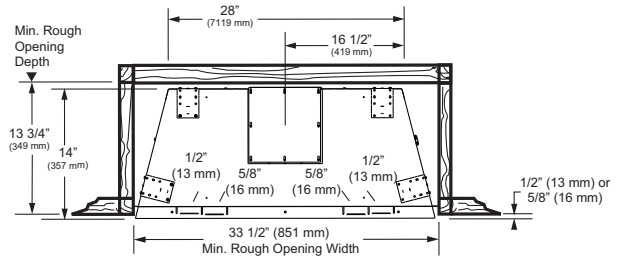
27"W x 18"H (486 sq. in.)  
 (686 mm x 457 mm, 3135 cm<sup>2</sup>)

**STANDARD FEATURES**

- Unitized black louver assembly
- Ember bed burner
- Ceramic Fiber logs
- Grate
- Junction box
- Deluxe control panel

**FIELD INSTALLED ACCESSORIES**

- Firebrick: Tavern Brown, Cottage Red
- Curved Trim: Black, Stainless Steel
- Medium Trim Kit: Black, Stainless Steel
- Manual Blower and Cord (160cfm): FK-12
- Thermostat Blower (160cfm): BLOT
- Signature Command Blower (160cfm): BLOTSC (requires purchase of SCSACM & TSFSC)
- Signature Command Remotes & Thermostats: RMSC, TSMSC, TSTSC, TSFSC, WT)
- Signature Command Accessories: A/C Accessory, Module and Command Center, Wall Mount Kits
- Mesh Screen Glass Cover
- Wood Cabinet Surrounds
- Designer Facings



# PRODUCT SPECIFICATIONS 300DVBS7 Direct Vent System

## TECHNICAL SPECIFICATIONS

BTU Input: 21,000 Max, 15,000 Min. (Nat)  
 Ignition System: Signature Command System (AC w/ battery back up)  
 Gas Type: Natural Gas or Liquid Propane  
 Flue Type: 4 x 7 Twist Lock, Flex Vent\*  
 Termination: Top/Rear Convertible  
 Design Certified: CSA

## CLEARANCE TO FLUE

Horizontal: 3" (26 mm) Top, 1" (25 mm) Bottom and sides\*\*  
 Vertical: 1" (25 mm) on all sides

## CLEARANCE TO COMBUSTIBLES

Fireplace: 0" Clearance to stand offs all sides  
 Floor of unit to Ceiling: 71" (1.8 m) to combustibles  
 Firebox Opening to Wall: 4" (102 mm) to combustibles  
 Hearth Requirement: 0" clearance

## EFFICIENCY DATA

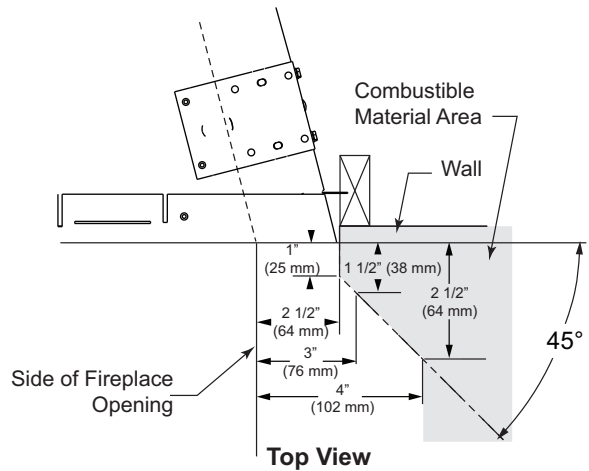
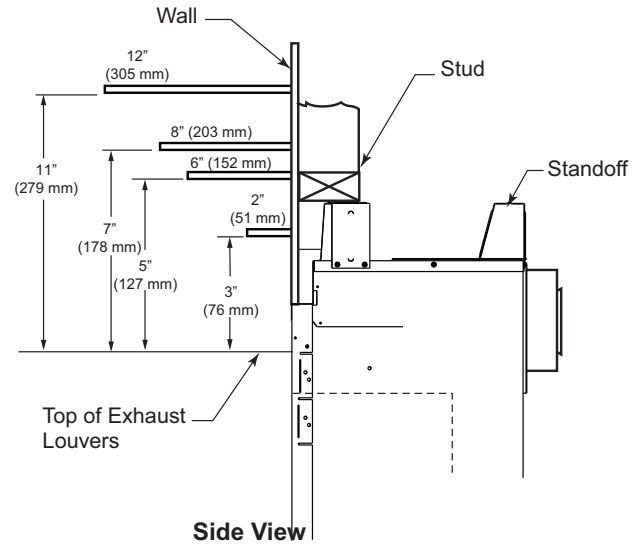
Thermal Efficiency: Up to 80% Nat / 80% LP  
 AFUE Efficiency: 63.1% Nat / 63.2% LP  
 P4 Canada Efficiency: 61.8% Nat / 55.7% LP

\*Simpson Dura-Vent, Selkirk Metalbestos and Metallfab are also approved for vent applications (requires adapter).

\*\*When vertical rise is 7-1/2 feet (2.29 m) or higher from base of unit, the horizontal vent clearance to combustibles is 1" (25 mm) all sides.

## MANTEL CLEARANCES

NOTE: The combustible area above the facing must not protrude more than 1/2" (19 mm) from the facing. If it does, it is considered a mantel and must meet the mantel requirements listed here.



# MAJESTIC



A Brand of Monessen Hearth Systems Co.  
 149 Cleveland Drive, Paris, Kentucky 40361  
[www.majesticproducts.com](http://www.majesticproducts.com)