

PRODUCT SPECIFICATIONS  
**500DVM Cameo Direct Vent System**



**GLASS VIEWING AREA**

32-15/16" W x 22-3/16" H (731 Square Inches)

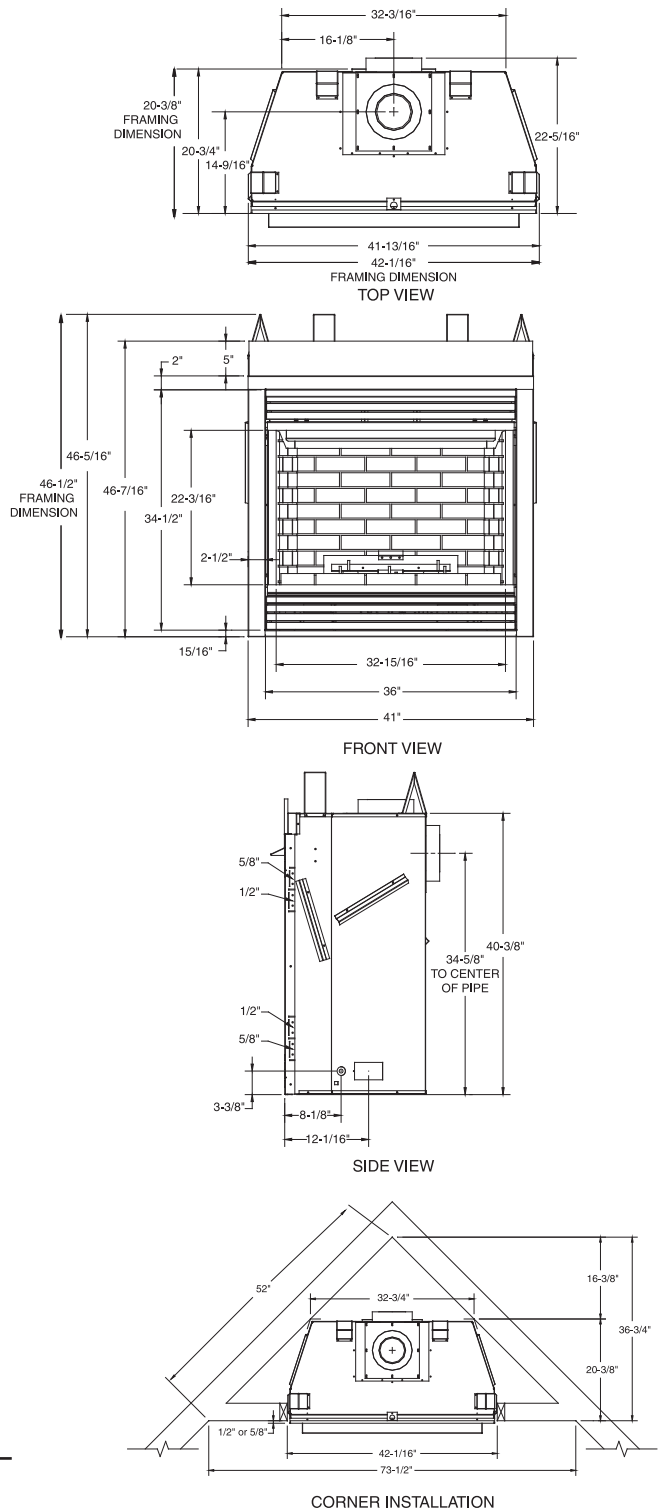
**TECHNICAL INFORMATION**

Max. Btu Input: 30,000 BTU/HR  
 Ignition System: Signature Command™ System  
 Gas Type: Natural or LP  
 Flue Type: Simpson Dura-Vent, Selkirk Metalbestos, MetalFab  
 Termination: Rear/Top Vent Convertible  
 Clearance to Flue for Interior: 3" Top, 1" Bottom and Sides\*\*  
 Clearance to Flue for Outside Wall: 1"  
 Clearance to Fireplace: 0"  
 CSA Design Certified

**FIELD INSTALLED ACCESSORIES**

Louvers: Brass, Pewter  
 Medium Trim: Brass, Pewter, Black  
 Curved Trim: Brass, Pewter, Black  
 Firebrick: Tavern Brown or Cottage Red  
 Millivolt Control Variable Thermostat Controlled Dual Forced Air Blower (160 cfm) – BLOTSDV  
 Signature Command Dual Forced Air Blower (160 cfm) - BLOTSDVSC  
 Mesh Glass Cover  
 Ambient Technologies™ Remote Controls and Thermostats  
 Wood Cabinet Surrounds  
 Designer Facings  
 Field Fuel Conversion Kits

\*\* If vertical rise is 7-1/2 feet or higher when in top vent configuration only, the vent clearance to combustibles is 1" on all sides of the horizontal run.



A Brand of Monessen Hearth Systems Co.  
 149 Cleveland Drive, Paris, Kentucky 40361  
[www.majesticproducts.com](http://www.majesticproducts.com)



To avoid personal injury or property damage, the product described by this brochure must be installed, operated and maintained in strict compliance with the instructions packaged with the product and all applicable building or fire codes. Contact local building or fire officials about restrictions and installation inspection requirements. All photographs and drawings on this brochure are for illustrative purposes only and are not intended for, nor should they be used as a substitute for the instructions packaged with the unit. Appearance and specifications of the product are subject to change without notice. 02/10