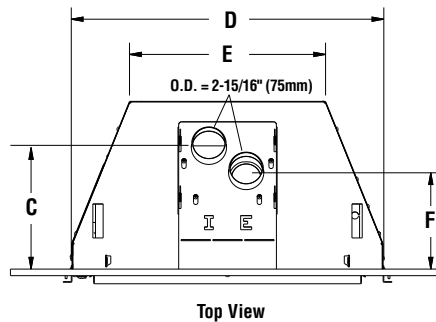


Madison Park™ MPI32 / MPI32CD

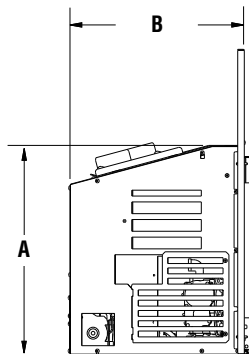
Appliance Specifications

DIRECT VENT FIREPLACE INSERT

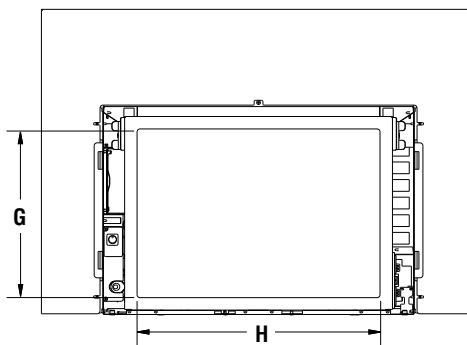


Input (BTU) - Electronic Models		
Fuel	MPI32	MPI32CD
	Input Rate (BTU / HR)	
Nat. Gas	Hi 34,000	Hi 34,000
	Lo 23,000	Lo 23,000
LP Gas	Hi 34,000	Hi 34,000
	Lo 28,000	Lo 28,000

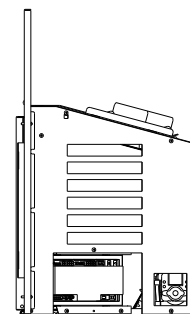
Insert Dimensions



Left Side View



Front View



Right Side View

Models	A	B	C	D	E	F	G	H
MPI32 and MPI32CD	19-3/8" (492mm)	15-7/8" (403mm)	11-7/8" (302mm)	31-5/8" (803mm)	21" (533mm)	9-3/4" (248mm)	15-3/8" (391mm)	25-3/4" (654mm)

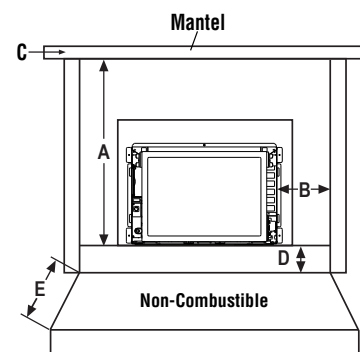
Insert Clearances

MINIMUM FIREPLACE SIZES REQUIRED	MPI32 / MPI32CD
Front Opening Width	32" (813mm)
Height	19-1/2" (495mm)
Rear Width	22" (559mm)
Depth	16" (406mm)

MINIMUM CLEARANCES TO COMBUSTIBLES	
A = Mantel	32" (813mm)
B = Side Wall	10" (254mm)
C = Mantel Depth	4" (102mm)

HEARTH PROTECTION	
D = Vertical Distance from base of appliance to Hearth Extension	0" (0mm) 10" (254mm)
E = Minimum Horizontal Distance from Front of Appliance	2" (51mm) 0" (0mm)

MINIMUM CLEARANCES



	Efficiencies	
	Natural Gas	Propane Gas
AFUE	MPI32 - 71% MPI32CD - 72%	MPI32 - 74% MPI32CD - 74%
EnerGuide P4	MPI32 - 65% MPI32CD - 67%	MPI32 - 70% MPI32CD - 72%

** Efficiency varies slightly with various pipe configurations.

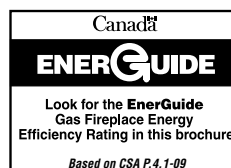
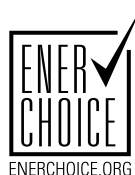
This insert has been tested and certified to ANSI Z21.88 / CSA 2.33 Standard for Vented Gas Fireplace Heater and CGA 2.17-M91 and UL 307B Gas Burning Heating Appliances for Manufactured (Mobile) Homes in both USA and Canada.

NOTE: Diagrams, illustrations and photographs are not to scale – consult installation instructions. Product designs, materials, dimensions, specifications, colors and prices are subject to change or discontinuance without notice.

Listing Information



14-098



Madison Park™ MPI32 / MPI32CD

Product Reference Information			
Cat. No.	Description	Ship. Weight	Ship. Volume
F2296	MPI32, Madison Park™ 32, Medium Insert	112 lb.	18.17 cu. ft.
F2297	MPI32CD, Madison Park Contemp 32, Medium Insert	95 lb.	14.78 cu. ft.

Vent Kits

Simpson Dura Vent -

Flex Liner 3" X 35' - #3DFA-35

Adaptor w/ Flashing - #46DVA-GK

Termination Cap - #46DVA-VCH With #460 DVA-VWG

Termination Cap - #460DVA-VC

Co-Linear Kit w/ 3" X 35' Flex Liner (Intake and Exhaust), Adaptor, Flashing and Termination Cap - #46DVA-CL33

Selkirk -

Termination Cap - #4DT-VT

Vent Adaptor - #4DT-CTB

Venting - 3' x 35' #AF35-03

Venting - 3' x 25' # AF25-03

Venting - 3' x 15' # AF15-03

Firebox Liner Kits - One Required

Champagne

Merlot

Black Porcelain

Black Painted

Facade Kits

Contemporary

Santa Fe

Black Deco

Surround Kits - One Required

3 Sided (41" W x 26" H, 46" W x 26" H, 41" W x 33" H, 46" W x 33" H)

4 Sided - Trimmable (46" W x 38" H)

Glass Media Kits (MPI32CD only)

Blue Glass Media

Black Glass Media

Smoke Glass Media

Amber Gold Glass Media

White Glass Media

Options

Typical Installation

The existing fireplace chimneys may take various contours which the flexible liners will accommodate. However, keep the flexible liner STRAIGHT and avoid bending. When at maximum vertical height, standing pilot should be used for correct operation.

Liner Requirements:

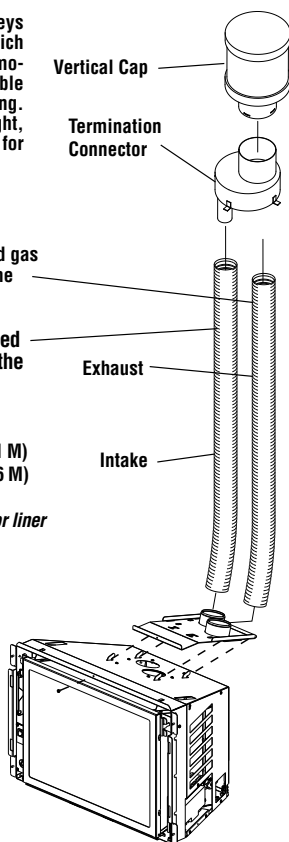
Use 3" (76 mm) diameter listed gas vent liner (UL1777 ONLY) for the EXHAUST

Use 3" (76 mm) diameter listed liner (UL 181 or UL1777) for the AIR INTAKE.

Vertical Height Min. = 10 ft. (3.1 M)
Vertical height Max. = 35 ft. (7.6 M)

NOTE: Measured from base on unit to the end of the vent pipe or liner

The flexible vent pipe must NOT be allowed to sag behind insert or in fireplace flue.



Standard Features

- Standard full-featured remote.
- Electronic ignition with optional continuous pilot mode.
- Battery back-up in case of power outage
- Standard 150-CFM variable-speed blower delivers warm, consistent heat