

PRODUCT SPECIFICATIONS

SA42R/SA42C Sovereign Radiant/Circulating Wood Burning Fireplace



DIMENSIONS

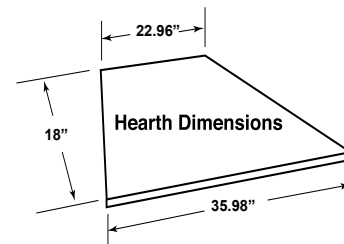
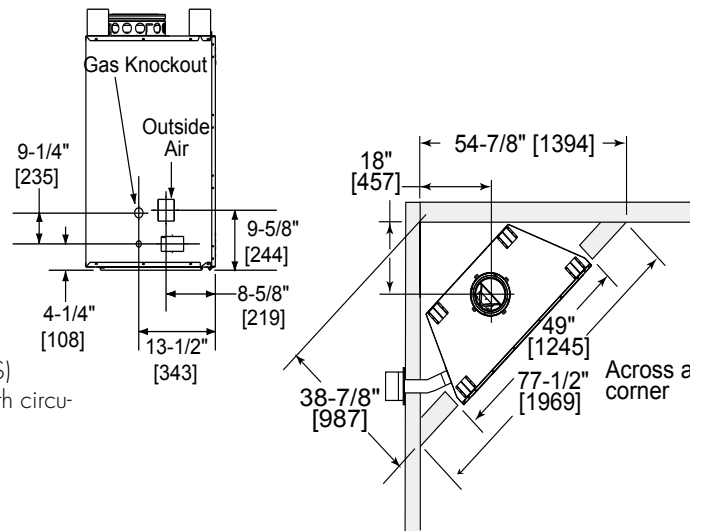
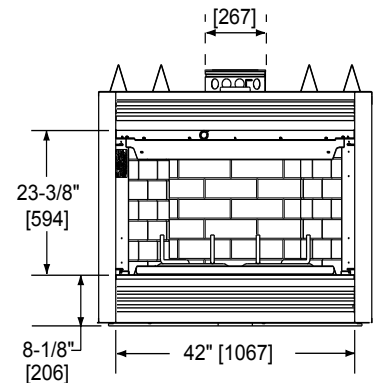
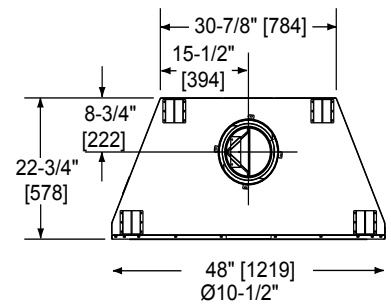
Actual size: 48" W x 41 1/4" H x 22 3/4" D x 30 7/8" RW
 (1219 mm x 1048 mm x 578 mm x 784 mm)
 Viewing area: 42" W x 21 3/8" H (897 3/4 sq. in.)
 (1067 mm X 543 mm, 5792 cm²)
 Framing Dimensions: 49" W x 41 1/2" H x 23" D
 (1245 mm x 1054 mm x 584 mm)

STANDARD FEATURES

- Fully insulated radiant or heat circulating fireplace
- Traditional full refractory lining
- Powder coated finish
- Safety firescreen
- Dual gas knockouts
- Steel grate
- Front access damper handle
- Attic insulation shield standard
- Ash lip
- UL/ULC Listed

OPTIONAL FIELD INSTALLED ACCESSORIES

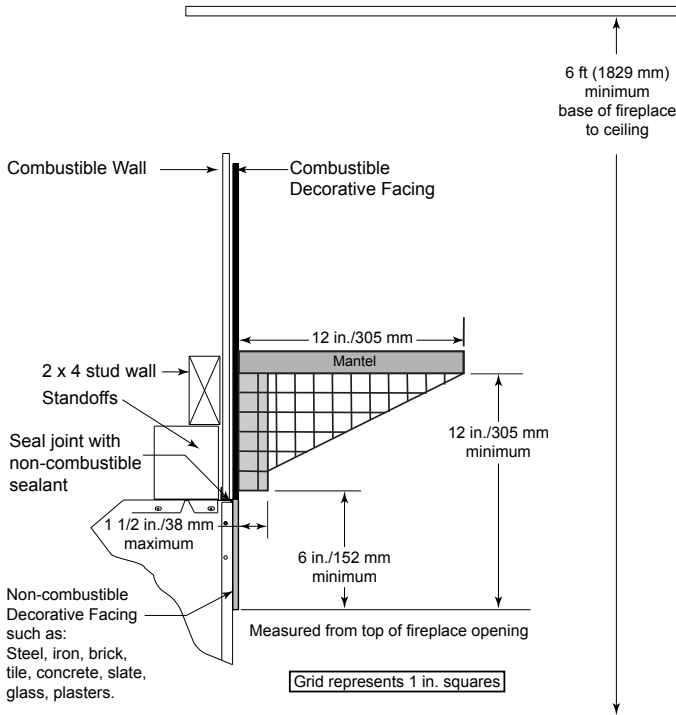
- Bi-fold glass doors with Black trim (DM1742) or Stainless trim (DM1742S)
- Gasketed cabinet style glass door with Black trim (GGD42BK) for use with circulating models only
- Grand Vista cabinet style mesh doors with Black trim (GV42BK)
- SL300 series termination caps
- 4" insulated flex duct for outside air (ID4)
- 4" uninsulated flex duct for outside air (UD4)
- Chimney air kit (CAK4A)(required in Canada)
- Outside air kit (AK22) for indoor applications only
- 160 cfm fan kit (FK23) for use on circulating models only
- Variable speed control (SCVS)
- Gas logs available



SA42R/SA42C Sovereign Radiant/Circulating Wood Burning Fireplace



MANTEL CLEARANCES



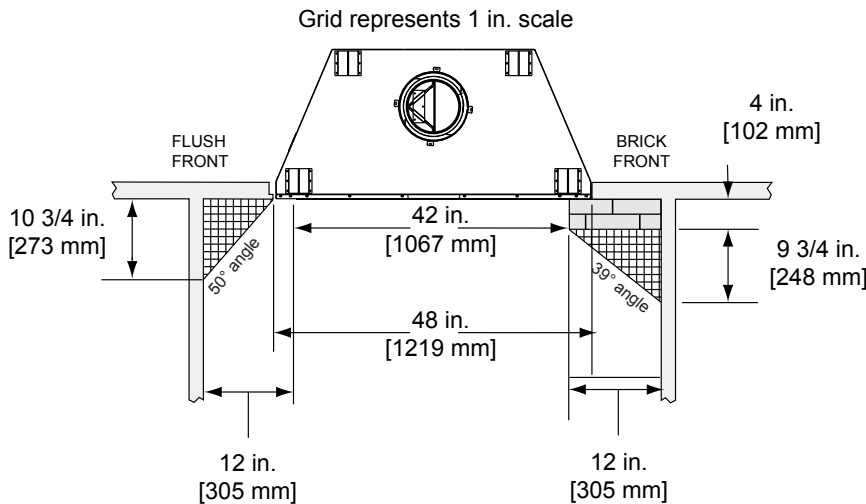
TECHNICAL SPECIFICATIONS

- Flue series: SL300 series pipe
- Flue size: 8" (203 mm) inner; 10 1/2" (267 mm) outer
- Clearance to flue: 2" (51 mm)
- Firestop framing: 14 1/2" x 14 1/2" (368 mm x 368 mm) straight
15° - 14 1/2" x 18 3/8" (368 mm x 467 mm)
30° - 14 1/2" x 23" (368 mm x 584 mm)
- Minimum flue height: 16 1/2' (5 m)
- Maximum flue height: 90' (27.4 m)
- Minimum height with single offset/return: 16 1/2' (5 m)
- Minimum height with double offset/return: 20' (6.1 m)
- Minimum hearth size: 20" D x 66" L (508 mm x 1676 mm)
- UL/ULC design certified

CLEARANCES

- Clearance to fireplace: 3/4" (38 mm) to sides and back
- Maximum mantel depth: 12" (305 mm) from top of fireplace opening
- Minimum mantel height: 6" (152 mm) from top of fireplace opening
- Adjacent combustible sidewalls: minimum 12" (305 mm) from fireplace opening
- Mantel leg, surround, stub wall, whether combustible or non-combustible may be constructed as shown in the second drawing.

SURROUND, STUB WALL, MANTEL LEG CLEARANCES



A Brand of Vermont Castings Group
149 Cleveland Drive, Paris, Kentucky 40361
www.monessenhearth.com