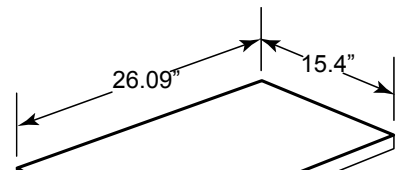
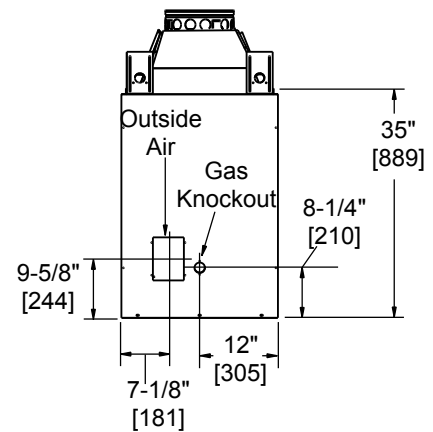
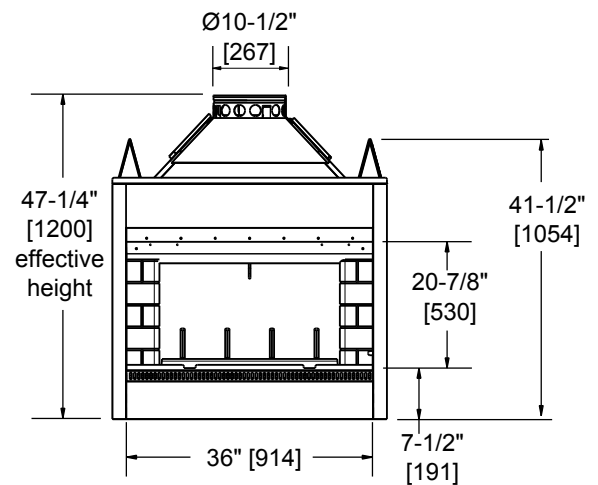
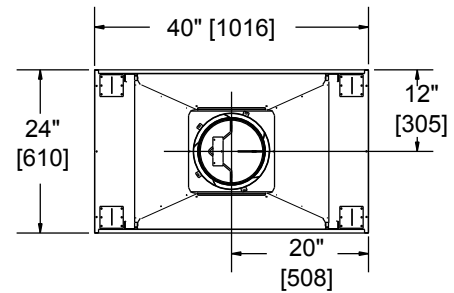


PRODUCT SPECIFICATIONS

DSR36 Designer See-Through Radiant Wood Burning Fireplace



DIMENSIONS

- Actual size: 40" W x 41 1/4" H x 24" D
(1016 mm x 1022 mm x 610 mm)
- Viewing area: 36" W x 20 7/8" H (751 1/2 sq. in.)
(914 mm X 530 mm, 4849 cm²)
- Framing Dimensions: 41" W x 41 1/2" H x 23" D
(1041 mm x 1054 mm x 584 mm)

STANDARD FEATURES

- Clean face design and fully insulated see through fireplace
- Full refractory lining
- Authentic masonry appearance
- Powder coated finish
- Safety firescreen
- Dual gas knockouts
- Steel grate
- Outside air kit standard
- Attic insulation shield standard
- UL/ULC Listed

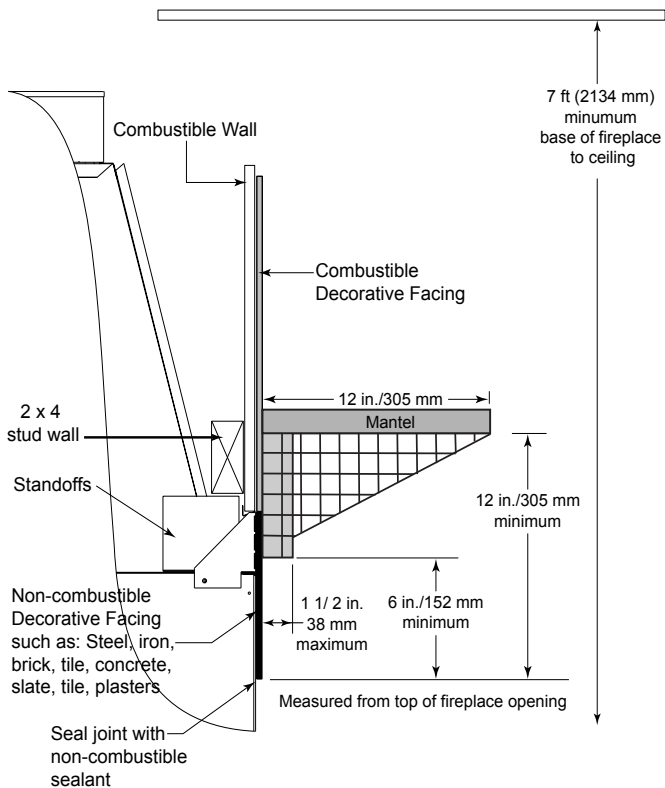
OPTIONAL FIELD INSTALLED ACCESSORIES

- Bi-fold glass doors with Black (DM1036) or Stainless (DM1036SS) trim
- SL300 series termination caps
- 4" insulated flex duct for outside air (ID4)
- 4" uninsulated flex duct for outside air (UD4)
- Chimney air kit (CAK4A)
- Gas logs available

DSR36 Designer See-Through Radiant Wood Burning Fireplace



MANTEL CLEARANCES



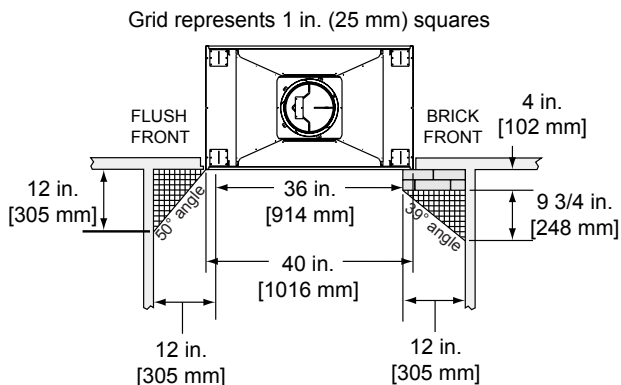
TECHNICAL SPECIFICATIONS

- Flue series: SL300 series pipe
- Flue size: 8" (203 mm) inner; 10½" (267 mm) outer
- Clearance to flue: 2" (51 mm)
- Firestop framing: 14½" x 14½" (368 mm x 368 mm)
- Minimum flue height: 14½' (4.4 m)
- Maximum flue height: 90' (27.4 m)
- Minimum height with single offset/return: 16' (4.9 m)
- Minimum height with double offset/return: 20' (6.1 m)
- Minimum hearth size: 16" D x 52" L (406 mm x 1321 mm)
- UL/ULC design certified

CLEARANCES

- Clearance to fireplace: ½" (13 mm)
- Maximum mantel depth: 12" (305 mm) from top of fireplace opening
- Minimum mantel height: 6" (152 mm) from top of fireplace opening
- Adjacent combustible sidewalls: minimum 12" (305 mm) from fireplace opening
- Mantel leg, surround, stub wall, whether combustible or non-combustible may be constructed as shown in the second drawing.

SURROUND, STUB WALL, MANTEL LEG CLEARANCES



A Brand of Vermont Castings Group
 149 Cleveland Drive, Paris, Kentucky 40361
www.monessenhearth.com

To avoid personal injury or property damage, the product described by this brochure must be installed, operated and maintained in strict compliance with the instructions packaged with the product and all applicable building or fire codes. Contact local building or fire officials about restrictions and installation inspection requirements. All photographs and drawings on this brochure are for illustrative purposes only and are not intended for, nor should they be used as a substitute for the instructions packaged with the unit. Appearance and specifications of the product are subject to change without notice. © 2015 Vermont Castings Group 0515 v1