

MP-360D

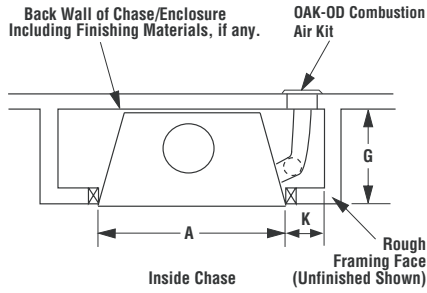
Appliance Specifications

| Product Reference Information | | | |
|-------------------------------|---------|--------------|--------------|
| Cat. No. | Model | Ship. Weight | Ship. Volume |
| H1933 | MP-360D | 175 lb. | 17.3 cu. ft. |

| Framing Dimensions | | |
|--------------------|---------|---------|
| A | 41-1/2" | 1054 mm |
| B ₁ | 37-1/2" | 953 mm |
| B ₂ | 54-1/2" | 1384 mm |
| C | 28-3/4" | 730 mm |
| D | 15-3/8" | 391 mm |
| E | 70" | 1778 mm |
| F | 35" | 889 mm |
| G | 20-5/8" | 524 mm |
| H | 19-5/8" | 499 mm |
| J | 49-1/2" | 1257 mm |
| K | 8" | 203 mm |

| Notes | |
|---|--|
| Due to Lennox' ongoing commitment to quality, all specifications, ratings and dimensions are subject to change without notice. | |
| All framing dimensions calculated for 1/2" dry wall at the fireplace face. If sheathing the chase or finishing with other thickness materials, calculations will need to be made. | |
| See <i>Installation Instructions Manual</i> for Ceiling and Roof Framing Dimensions. | |
| Diagrams & Illustrations Not to Scale | |

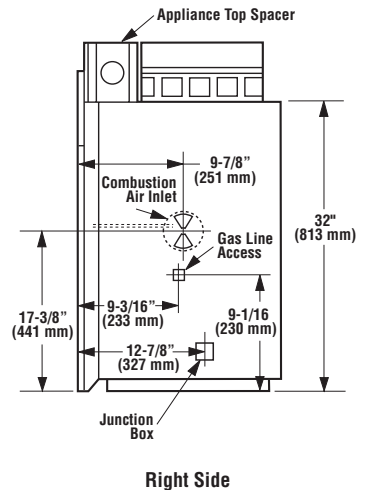
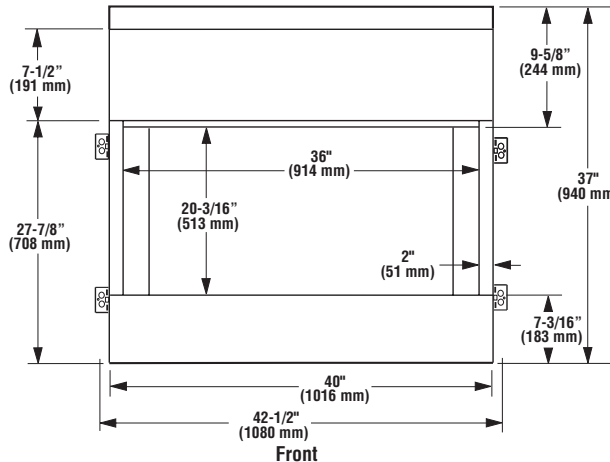
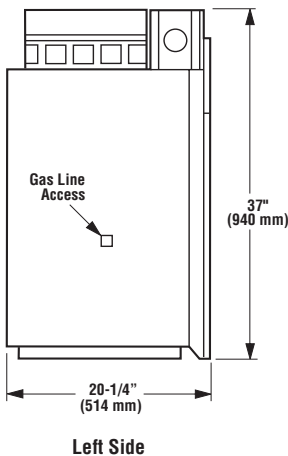
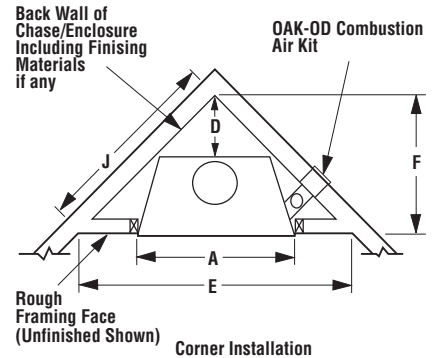
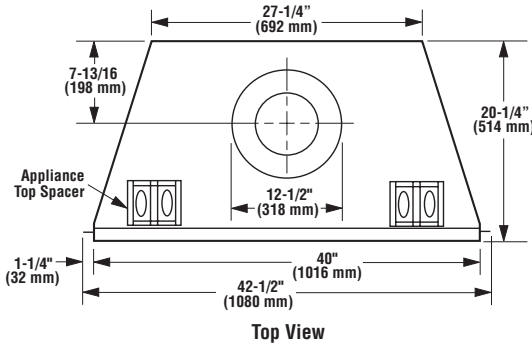
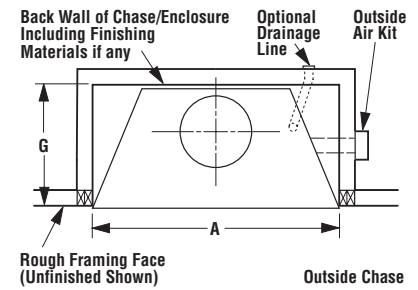
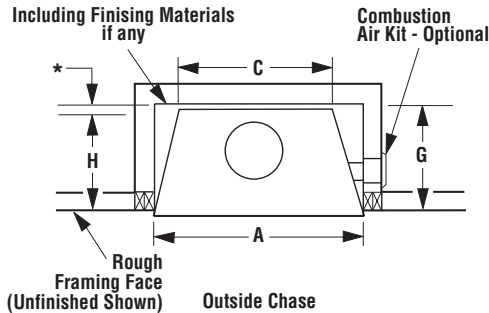
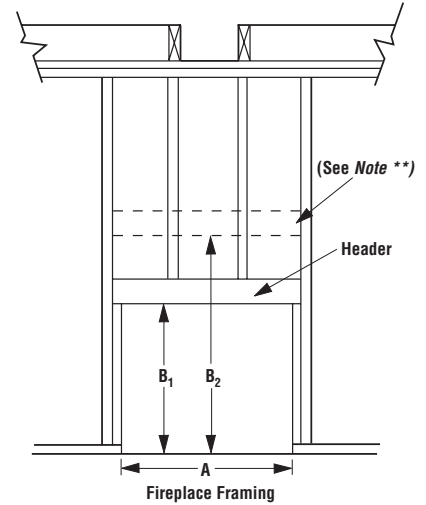
Tested & Listed By  Beaverton Oregon USA
 OMNI-Test Laboratories, Inc.
 OTL Report No. 116-F-35-2



Outside Chase - Indoor Installations

****Note:** When Framing With 6" Studs Header Must Be 17" (432mm) Higher. Use Security Chimney's OR15 Offset/Return Elbow To Recess The Chimney Back 2 1/2" (64mm). Flat Frame Down To A False Header At (B₁). Maintain Required Clearance To Chimney At All Times.

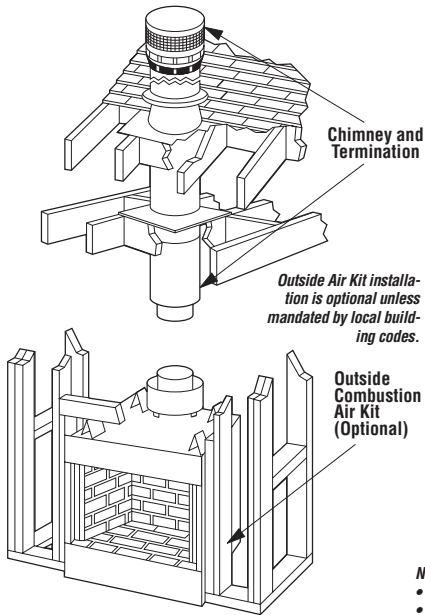
* 1" Air Space to insulation & construction materials on back and sides.



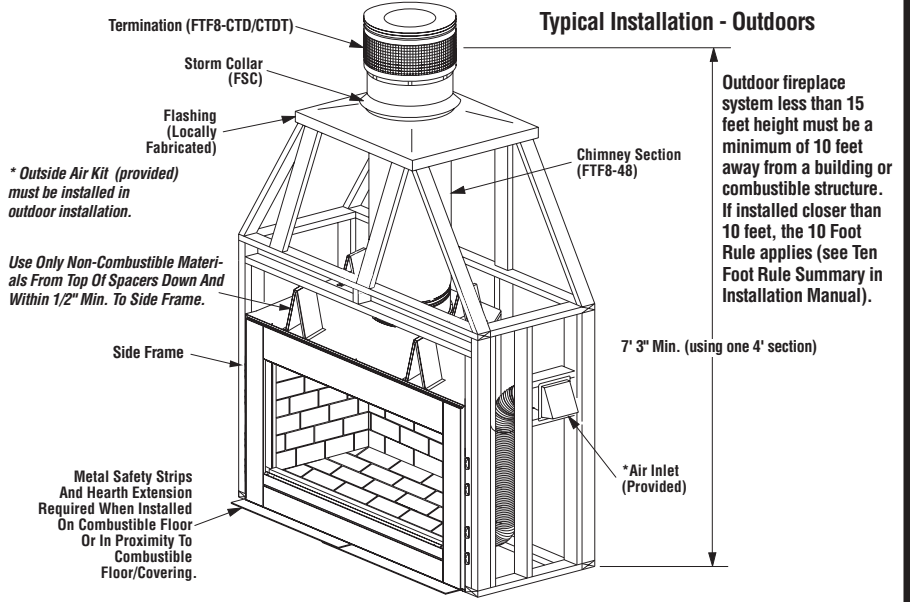
MP-360D

TYPICAL FRAMING INSTALLATIONS

Typical Installation - Indoors



Typical Installation - Outdoors



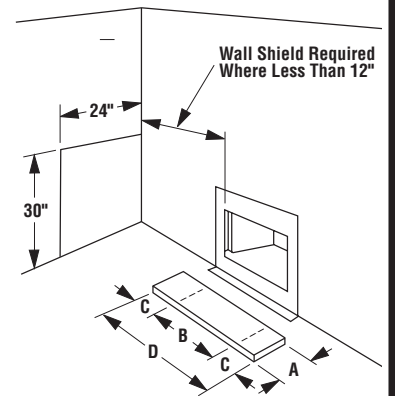
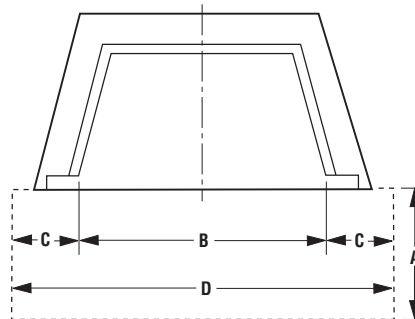
Notes:

- Framing is shown as reference only. It can differ according to design and local building codes.
- Fireplace is shown for illustration purposes only. It may differ from actual model.

| Hearth Extension Dimensions | |
|-----------------------------|-----|
| A | 16" |
| B | 30" |
| C | 8" |
| D | 46" |

Hearth Extensions and Wall Shields Thermal Conductivity and Resistance Requirements

| "k" & "r" Value Requirements (see installation manual for details) | | |
|--|--------------|-----------------------|
| k (per inch) | r (per inch) | Listed Min. Thickness |
| .84 | 1.19 | 1" |

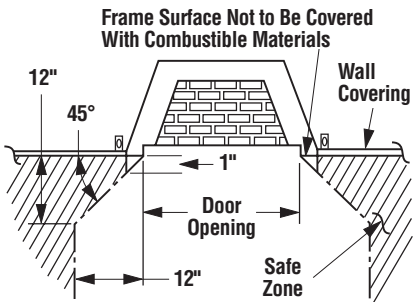


CLEARANCES

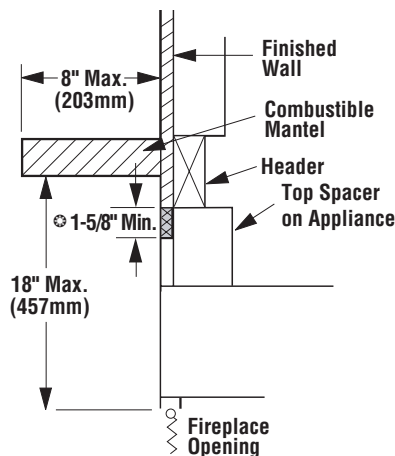
Minimum clearance to combustibles for the appliance is as follows: sides and back - 1" (25 mm), floor - 0" (0 mm), adjacent wall - 12" (305 mm), ceiling - 37 1/2" (953 mm).

Note: Clearance at the nailing tab is 0" (0mm)

Note: Adjacent wall considerations are for an adjacent wall on only a single side. Walls should not be placed at minimum distance at both sides of the fireplace.

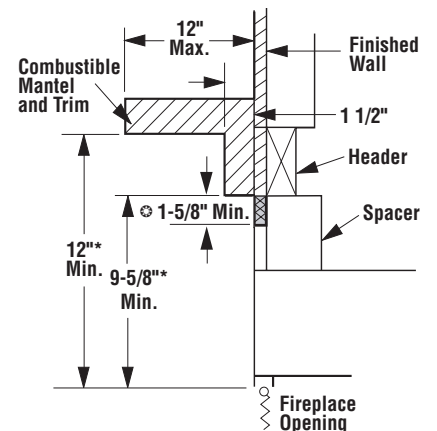


MANTEL CLEARANCES



⊙ The shaded gray area showing 1-5/8" Min. indicates non-combustible material is required.

CANADIAN INSTALLATION



*Both Of These Dimensions Must Be At Least 18" When An Unvented Gas Log Set Rated At 26,000 BTU Or Higher Is Used. (Maximum 40,000 BTU).

⊙ The shaded gray area showing 1-5/8" Min. indicates non-combustible material is required.

USA INSTALLATION