

# SPECTRA™ LSS-35/40

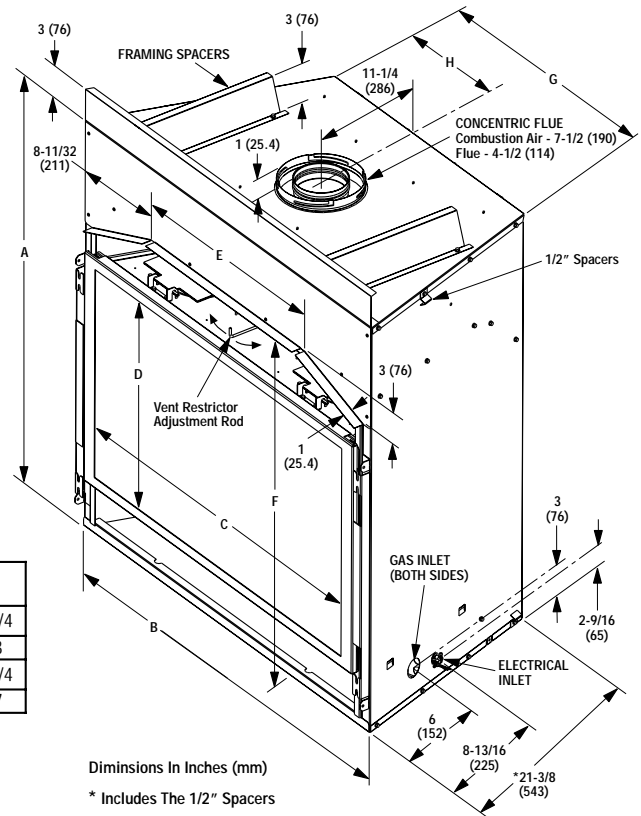
## Appliance Specifications

### Product Reference Information

	Weight	Cubic Ft.	BTU/HR
LSS-35	204 lb.	42	33,000
LSS-40	231 lb.	47.6	41,500

Model No.		A	B	C	D	E	F	G	H
LSS-35	in.	38 3/8	35 1/16	29 1/2	19	16 3/16	31 3/8	21 1/2	10 3/4
	mm	975	891	749	483	411	797	546	273
LSS-40	in.	39 7/8	40 1/16	34 1/2	20 1/2	21 3/16	32 7/8	26 1/2	13 1/4
	mm	1013	1018	876	521	538	835	673	337

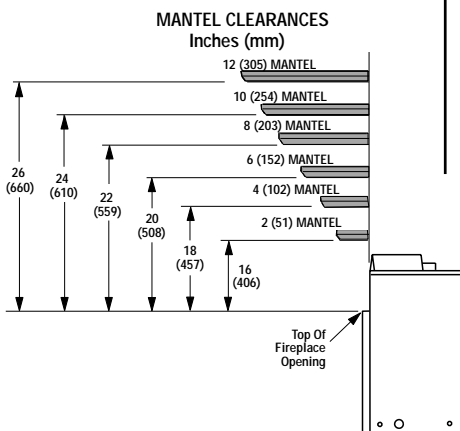
*Note: All specifications, ratings and dimensions are subject to change without notice.*



## Fireplace Finishes

### Mantels And Trim

Vertical installation clearances to combustible mantels vary according to the depth of the mantel. The figure below details these required clearances. Mantels constructed of non-combustible materials may be installed at any height above the appliance opening, however, do not allow anything to hang below the eyebrow.



### Minimum Clearance To Combustibles

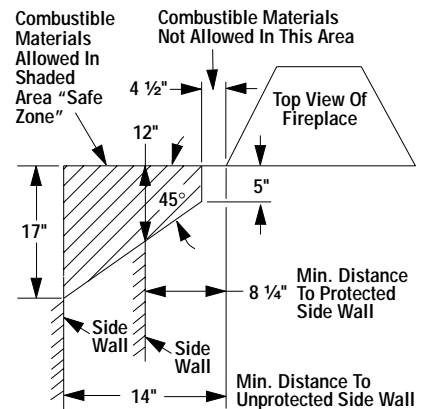
A hearth extension is not required with this appliance. If a hearth extension is used, do not block the control compartment access panel. Any hearth extension used is for appearance only and does not have to conform to standard hearth extension installation requirements.

*Note: Combustible wall finish materials and/or surround materials must not be allowed to encroach the area defined by the appliance front face (black sheet metal). Never allow combustible materials to be positioned in front of or overlapping the appliance front face.*

*Note: Paint or lacquer uses to finish the mantel must be heat resistant in order to avoid discoloration.*

### Wall Details

Combustible materials may project beyond the sides of the fireplace opening as long as they are kept within the shaded areas illustrated in the figure below.



NOTE: DIAGRAMS & ILLUSTRATIONS NOT TO SCALE.

**LENNOX™**  
HEARTH PRODUCTS

775.646M Rev. N/C 05/07

# SPECTRA™ LSS-35/40

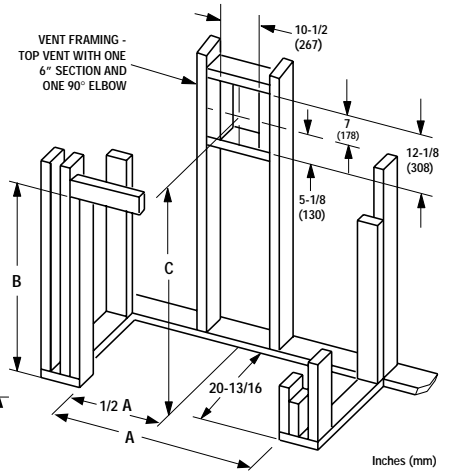
## Framing Specifications

**Note:** Framing dimensions shown assume 1/2" drywall is used to finish out the wall. 1" raised platform beneath the appliance is included in B dimension calculation.

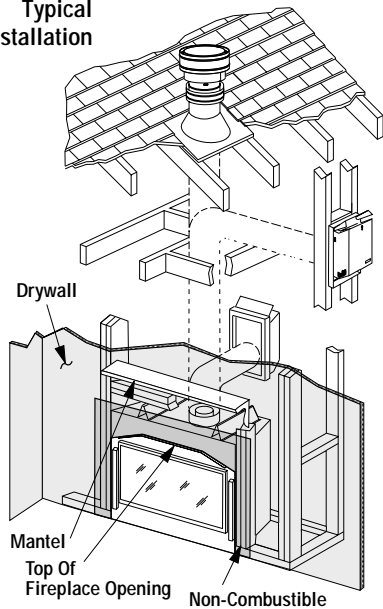
Model No.		A	B	C
LSS-35	in.	35 1/8	42 5/8	51 1/8
	mm	892	1083	1299
LSS-40	in.	40 1/8	44 1/8	52 5/8
	mm	1022	1121	1337

**NOTE:** For Secure Vent A 6" Section SV4.5L6 (Cat. No. 77L70) Is Required Before Installing The 90 Degree Elbow.

Framing should be constructed of 2x4 or larger lumber.

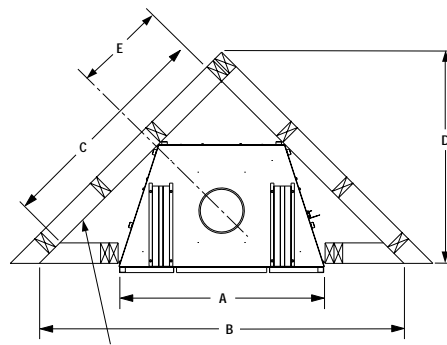


### Typical Installation

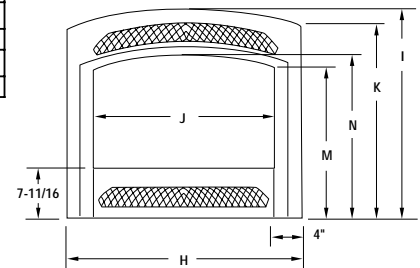
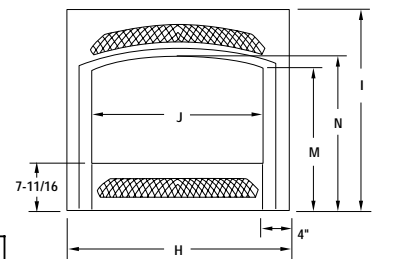
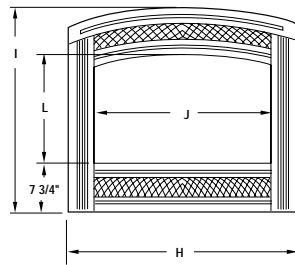


### Clearances To Combustibles

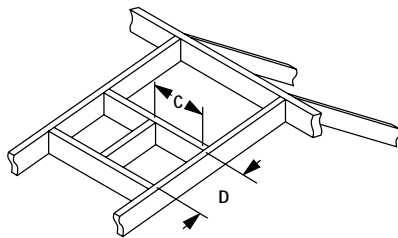
BACK	1/2 in. (13 mm) 0 in. (0 mm) spacers
SIDES	1/2 in. (13 mm) 0 in. (0 mm) spacers
TOP SPACERS	0 in. (0 mm)
FLOOR	0 in. (0 mm)
From Bottom of Unit to Ceiling	64 in. (1626 mm)
VENT	1 in. (25.4 mm)*
SERVICE CLEARANCES	
FRONT	3 Feet. (0.9 meters)



Model No.		A	B	C	D	E
LSS-35	in.	35 1/8	62 5/16	39 1/8	36 1/8	15 11/16
	mm	892	1583	994	918	400
LSS-40	in.	40 1/8	67 5/16	47 5/8	38 5/8	17 7/16
	mm	1022	1710	1210	981	443



	H	I	J	K	L	M	N
LSS-35	36"	32-7/8"	28"	29-7/8"	17-1/2"	23-1/8"	25-1/4"
LSS-40	41"	34-3/8"	33"	31-3/8"	19"	24-9/16"	28"



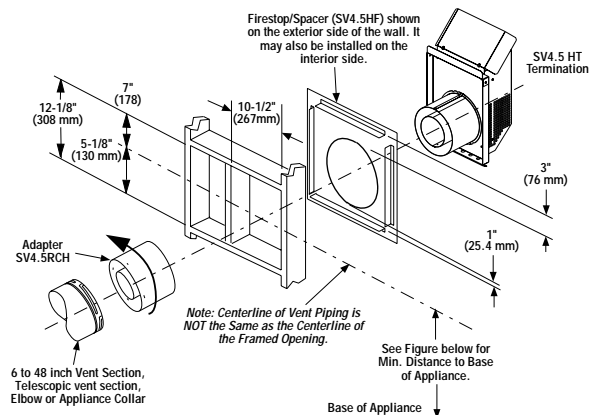
### Framing Dimensions for Roof

Pitch	C	D
0/12	10 1/2 in. (267 mm)	10 1/2 in. (267 mm)
6/12	10 1/2 in. (267 mm)	12 in. (305 mm)
12/12	10 1/2 in. (267 mm)	17 3/4 in. (451 mm)

### Vent Framing

**Note:** All framing dimensions calculated for 1/2" drywall at the fireplace face. If sheathing the chase or finishing with other thickness materials, calculations will need to be made.

**Note:** Nailing flange is adjustable from 5/8" to 1/2".



NOTE: DIAGRAMS & ILLUSTRATIONS NOT TO SCALE.

**LENNOX™**  
HEARTH PRODUCTS

775.646M Rev. N/C 05/07