

# Serefina™ Series Cast Iron Gas Stoves

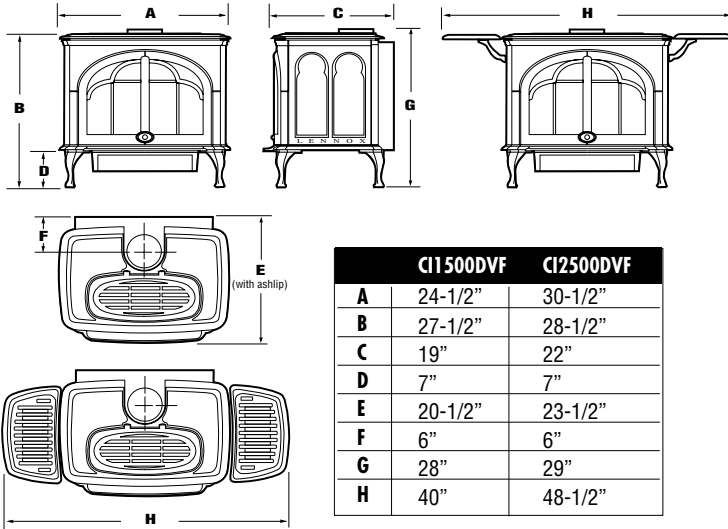
## SEREFINA STANDARD FEATURES (CI1500DVF & CI2500DVF)

- 28,000 BTU/hr / 38,500 BTU/hr
- Deluxe Split-Oak Log Set
- Standard Ceramic Ember Panel
- Variable Flame Operation
- Standard LP Conversion Kit
- Lennox 20-Year Limited Warranty
- Serefina Series is offered in painted black and the following enamel colors: Midnight Blue, Majolica Brown, Hunter Green and Ivory.

## OFFERED ENAMEL COLORS (For reference only)



## DIMENSIONS



## SEREFINA STOVE SPECIFICATIONS

	CI1500DVF	CI2500DVF
Min/Max BTU/hr input NG	17,500/ 28,000	25,500/ 38,500
Min/Max BTU/hr input LP	20,500/ 27,000	26,500/ 34,500
DV Vent Size	4" x 6 5/8"	4" x 6 5/8"
Convection Blower CFM	150	150
Weight (lb)	206	290

## OPTIONS

- Warming shelves w/removable cast inlays
- Decorative ceramic tiles (for warming shelves)
- Blower kit
- Choice of Three Wireless Remotes
  - (1) Model RCL – on/off wireless remote w/ LCD screen
  - (2) Model RCL-T – same as #1 remote plus thermostatic control, timer and clock
  - (3) Model RCL-M – same as #2 remote plus flame adjustment and fan control



Warming shelves



Brick Liner Pattern

- Ceramic brick liner kit
- Firescreens – flat and bubble

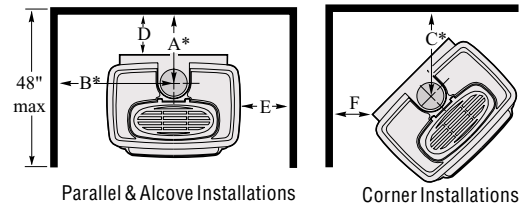


Flat Screen



Bubble Screen

## INSTALLATION REQUIREMENTS



\* Reference Dimensions Only

STOVE CLEARANCES	A	B	C	D	E	F
CI1500DVF	10"	14-1/4"	15-7/8"	4"	2"	4"
CI2500DVF	10"	17-1/4"	19"	4"	2"	4"

- When installed directly on carpeting, tile or other combustible material other than wood flooring, the appliance shall be installed on a metal or wood panel extending the full width and depth of the stove body.
- Ceiling / Alcove Height - 62" from floor to ceiling. This includes any projections such as shelves, windowsills, mantels, etc. above the appliance.
- Alcove Width: CI1500DVF - 28-1/2" / 44" with warming shelves; CI2500DVF - 34-1/2" / 52-1/2" with warming shelves.
- Alcove Depth: 48" max.

## SEREFINA STOVE EFFICIENCIES

	CI1500DVF	CI2500DVF
<b>ENERGUIDE</b>	67% (NG) 65% (LP)	67% (NG) 64% (LP)
<b>Steady State Efficiency*</b>	85% (NG) 87% (LP)	83% (NG) 85% (LP)

\*Based on maximum vent configuration



OMNI-T est Laboratories, Inc.

Report number: 116-S-08-5

Note: Due to Lennox' ongoing commitment to quality, all specifications, ratings and dimensions are subject to change without notice.

