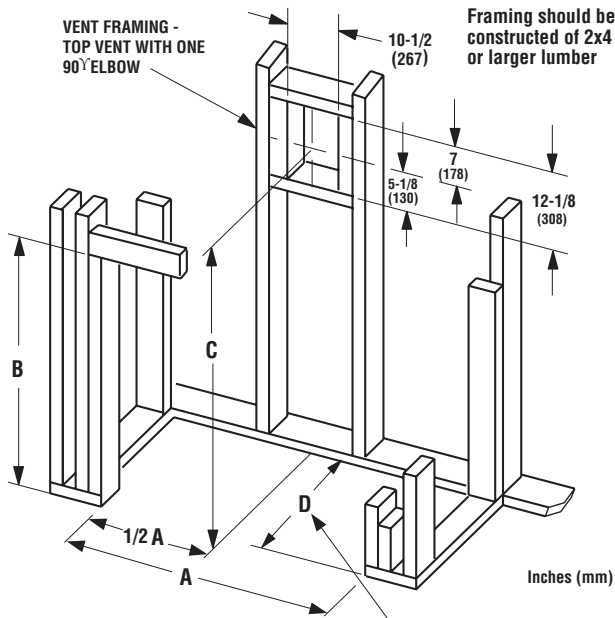
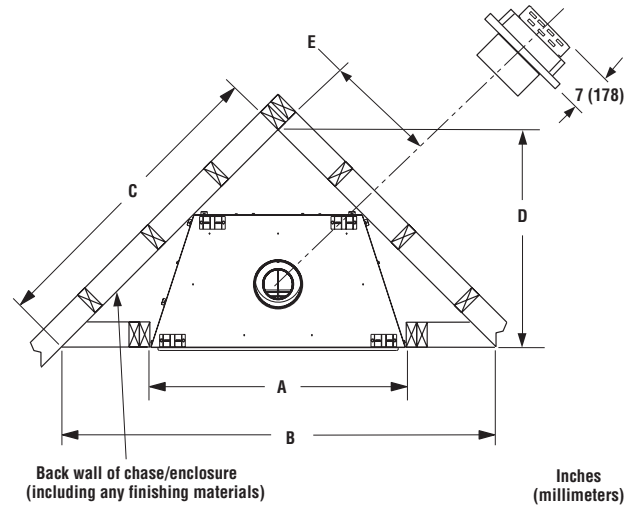


SLDVT-30/35/40/45 SERIES

DIRECT VENT FIREPLACE SPECIFICATIONS



D is the required framing depth dimension when the finish material (drywall) thickness is 1/2 in. (13mm)



Corner Framing Dimensions

| Model No. | A | B | C | D | E |
|-----------|------------|----------|----------|----------|--------|
| SLDVT-30 | in. 30 1/4 | 53 3/16 | 37 29/32 | 26 13/16 | 12 1/4 |
| | mm 768 | 1350 | 963 | 681 | 311 |
| SLDVT-35 | in. 35 1/4 | 57 1/2 | 40 5/8 | 28 3/4 | 13 3/4 |
| | mm 895 | 1461 | 1032 | 730 | 349 |
| SLDVT-40 | in. 40 1/4 | 61 13/16 | 43 11/32 | 30 11/16 | 15 1/8 |
| | mm 1022 | 1554 | 1101 | 779 | 384 |
| SLDVT-45 | in. 45 1/4 | 66 1/8 | 46 1/16 | 32 5/8 | 16 1/2 |
| | mm 1149 | 1680 | 1170 | 829 | 419 |

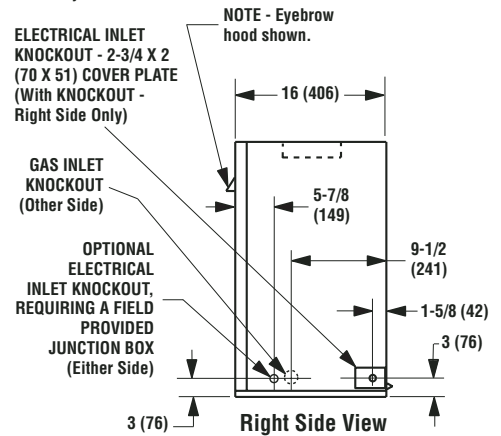
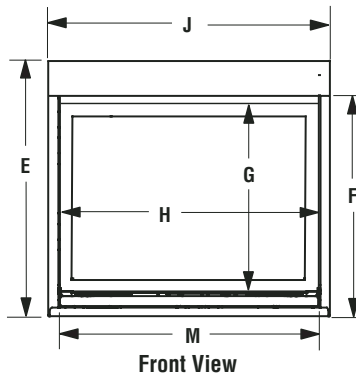
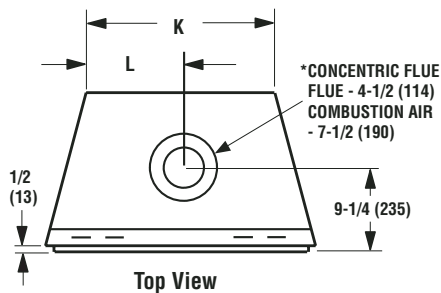
Framing Dimensions

| Model No. | A | B | C | D |
|-----------|------------|--------|--------|-----|
| SLDVT-30 | in. 30-1/4 | 35-1/4 | 39-1/4 | 16 |
| | mm 768 | 895 | 997 | 406 |
| SLDVT-35 | in. 35-1/4 | 35-1/4 | 39-1/4 | 16 |
| | mm 895 | 895 | 997 | 406 |
| SLDVT-40 | in. 40-1/4 | 40-1/4 | 44-1/4 | 16 |
| | mm 1022 | 1022 | 1124 | 406 |
| SLDVT-45 | in. 45-1/4 | 40-1/4 | 44-1/4 | 16 |
| | mm 1149 | 1022 | 1124 | 406 |

Vertical Venting Through the Ceiling:

Frame ceiling opening - Use a plumb line from the ceiling above the appliance to locate center of the vertical run. Cut and/or frame an opening, 10-1/2" x 10-1/2" (267 mm x 267 mm) inside dimensions, about this center mark.

NOTE - It is recommended that the gas be studded in from the left side only.



Fireplace Dimensions

| Model No. | E | F | G | H | J | K | L | M |
|-----------|------------|--------|--------|------|--------|-----|--------|------|
| SLDVT-30 | in. 32-1/4 | 28-1/8 | 23-1/4 | 27 | 30-1/4 | 20 | 10 | 28 |
| | mm 819 | 714 | 590 | 686 | 768 | 508 | 254 | 711 |
| SLDVT-35 | in. 32-1/4 | 28-1/8 | 23-1/4 | 32 | 35-1/4 | 25 | 12-1/2 | 33 |
| | mm 819 | 714 | 590 | 813 | 895 | 635 | 317 | 838 |
| SLDVT-40 | in. 37-1/4 | 33-1/8 | 28-1/4 | 37 | 40-1/4 | 30 | 15 | 38 |
| | mm 946 | 841 | 718 | 940 | 1022 | 762 | 381 | 965 |
| SLDVT-45 | in. 37-1/4 | 33-1/8 | 28-1/4 | 42 | 45-1/4 | 35 | 17-1/2 | 43 |
| | mm 946 | 841 | 718 | 1067 | 1149 | 889 | 445 | 1092 |

Viewable Glass Size

| | |
|-----------|------------------------------|
| 30" Model | 24-1/4" Wide 20-1/4" High |
| 35" Model | 29-1/4" Wide 20-1/4" High |
| 40" Model | 34-1/4" Wide 25-1/4" High |
| 45" Model | 39-1/4" Wide 25-1/4" High |

Vent Size

| | |
|-----------------------|------------------------------|
| Co-axial DV Vent Size | 4-1/2" Inner 7-1/2" Outer |
|-----------------------|------------------------------|

Tested & Listed By **OTL US** Portland Oregon USA
OMNI-Test Laboratories, Inc.

OTL Report No. 116-F-50-5

SLDVT-30/35/40/45 SERIES

DIRECT VENT FIREPLACE SPECIFICATIONS

| Input (BTU) Manually-Modulated Gas Valves (all models) | |
|--|---------------------------|
| NATURAL GAS | |
| Models | Input Rate (BTU / HR) |
| SLDVT-30NM | 13,500 high 10,000 low |
| SLDVT-35NM | 16,000 high 12,750 low |
| SLDVT-40NM | 20,000 high 15,500 low |
| SLDVT-45NM | 23,000 high 17,500 low |

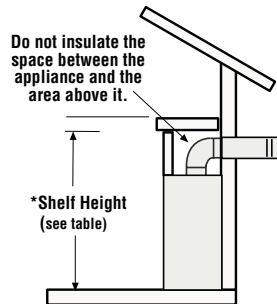
| Input (BTU) Manually-Modulated Gas Valves (all models) | |
|--|---------------------------|
| PROPANE GAS | |
| Models | Input Rate (BTU / HR) |
| SLDVT-30PM | 11,500 high 9,000 low |
| SLDVT-35PM | 15,000 high 11,400 low |
| SLDVT-40PM | 18,000 high 14,000 low |
| SLDVT-45PM | 22,000 high 17,000 low |

| Models | Efficiencies % | | | |
|----------|----------------|----|---------|----|
| | Natural Gas | | Propane | |
| | AFUE | P4 | AFUE | P4 |
| SLDVT-30 | 57 | 51 | 58 | 54 |
| SLDVT-35 | 59 | 59 | 61 | 61 |
| SLDVT-40 | 62 | 61 | 64 | 61 |
| SLDVT-45 | 64 | 59 | 66 | 61 |

Canadef
ENERGUIDE
Look for the EnerGuide Gas Fireplace Energy Efficiency Rating in this brochure
Based on CSA P.4.1-02

| Model No. | Combustible Shelf Height - Inches (millimeters) | |
|-------------|---|--------------------------|
| | Top Vent - with One 90 Degree Elbow | |
| | Secure Vent | Secure Flex (flex elbow) |
| SLDVT-30/35 | *46-1/2 (1181) | *48-1/4 (1226) |
| SLDVT-40/45 | *51-1/2 (1308) | *53-1/4 (1349) |

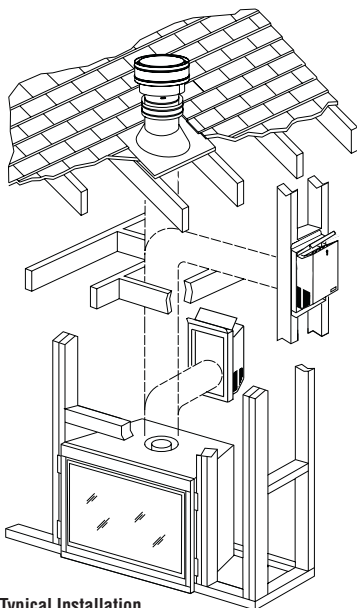
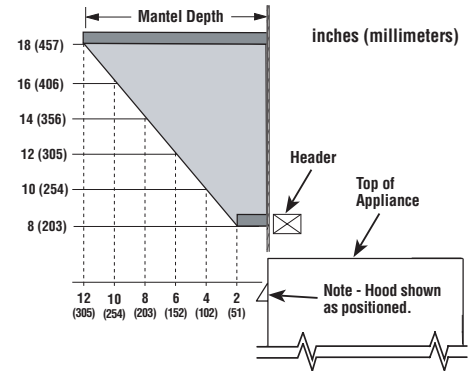
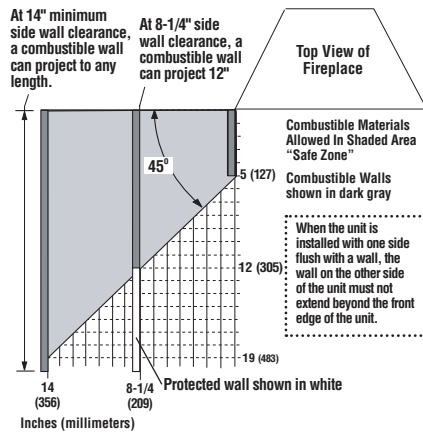
* Includes 3" clearance to combustibles (required above vent components)



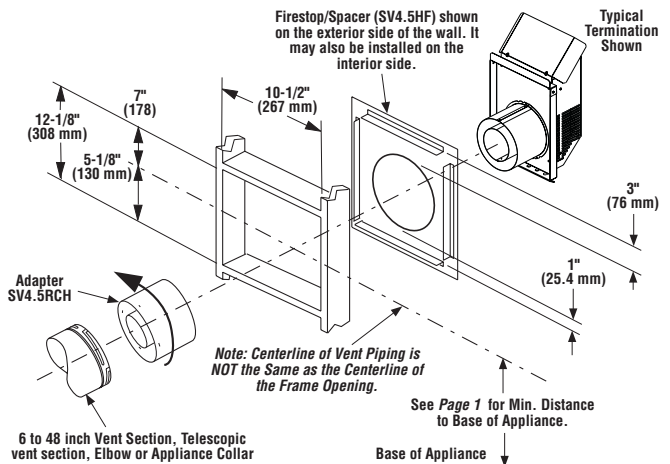
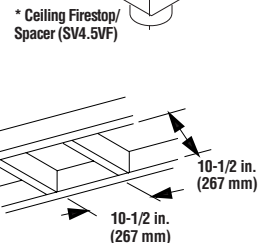
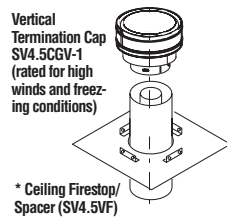
Shelf Above Fireplace With Top Venting

| Product Reference Information | | | |
|-------------------------------|------------|--------------|---------------|
| Cat. No. | Model | Ship. Weight | Ship. Volume |
| H7496 | SLDVT-30NM | 78 lbs. | 9.09 cu. ft. |
| H7497 | SLDVT-30PM | 78 lbs. | 9.09 cu. ft. |
| H7498 | SLDVT-30NE | 78 lbs. | 9.09 cu. ft. |
| H7282 | SLDVT-35NM | 86 lb. | 10.61 cu. ft. |
| H7284 | SLDVT-35PM | 86 lb. | 10.61 cu. ft. |
| H7286 | SLDVT-35NE | 86 lb. | 10.61 cu. ft. |
| H7283 | SLDVT-40NM | 108 lb. | 14.01 cu. ft. |
| H7285 | SLDVT-40PM | 108 lb. | 14.01 cu. ft. |
| H7287 | SLDVT-40NE | 108 lb. | 14.01 cu. ft. |
| H7499 | SLDVT-45NM | 122 lbs. | 15.76 cu. ft. |
| H7500 | SLDVT-45PM | 122 lbs. | 15.76 cu. ft. |
| H7501 | SLDVT-45NE | 122 lbs. | 15.76 cu. ft. |

| MINIMUM CLEARANCES Inches (millimeters) | |
|---|---|
| Back | 1/2 (13) 0 (0) Spacers Or Dimples |
| Sides | 1/2 (13)** 0 (0) Spacers Or Dimples |
| Top | 3 (76) |
| Floor | 0 (0) |
| Bottom of Appliance To Ceiling | 64 (1626) |
| Vent | 3 (76) Top * 1 (25.4) Sides & Bottom |
| SERVICE CLEARANCES Feet (meters) | |
| Front | 3 ft. (0.9 m) |



Typical Installation



Note: Specification and clearances are subject to change without notice. Refer to the Installation Instructions before installation of these appliances for updated dimensions and instructions. Diagrams and illustrations are not to scale.

