



*SLDVT-35 shown with standard black interior.*

Leading builders look to the Superior Louverless Direct Vent Series when performance and value are at the top of their list. Large viewing areas and heater-rated performance are combined in a compact fireplace.



*45" model shown with Traditional Buff refractory liner*





SLDVT-30



SLDVT-35



SLDVT-40



SLDVT-45

## STANDARD FEATURES

Louverless design with larger viewing area puts the focus on the fire. Less exposed metal on the fireplace face allows for a clean premium appearance and easy application of finish materials.

Flex connector with shut-off.\*\*

Wiring for optional wall switch.

Choose from Millivolt or energy saving battery backed up intermittent pilot ignition. All models have hi/lo flame and heat control and will work during a power outage.

Charred oak-style logs with glowing embers, and decorative lava rock.

Use Secure-Vent™ 4.5" (rigid) vent or Secure-flex™ 4.5" venting systems for easy installation and dependable operation.

20-year limited warranty.



Brick Refractory Liner



\*Screen panel kit

## OPTIONAL FEATURES

Fixed screen panel kits.\*

Ceramic fiber refractory liners - Traditional Buff and Traditional Red.

Wireless remotes including thermostatically controlled versions.

Forced-air blower kits.

### IMPORTANT NOTES:

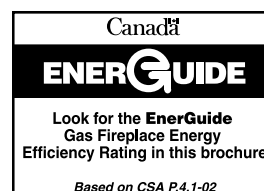
As with any heating appliance, fireplace or stove, this appliance is extremely hot during operation. Read and understand all operating instructions before using this appliance. For further information, consult your dealer.

Local conditions, such as elevation, wind, vent configuration and choice of fuel will affect overall appearance of the fire and heating performance. Performance can also vary with home design and insulation, climate, condition and type of fuel used, appliance location, burn rate, accessories chosen, chimney installation and how the appliance is operated.

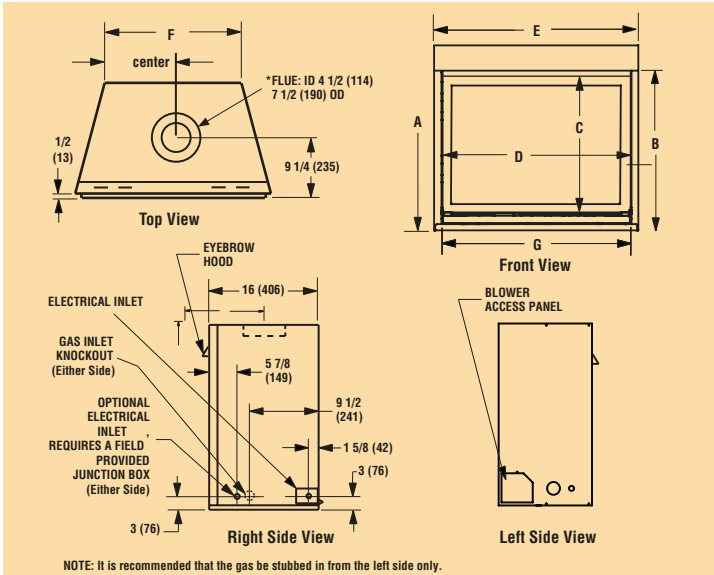
Diagrams, illustrations and photographs are not to scale - consult installation instructions. Product designs, materials, dimensions, specifications, colors and prices are subject to change or discontinuance without notice.

Listed to ANSI Z21.88 and CSA 2.33 standards.

Consult your distributor for local fireplace code information.



100% recycled



## FRAMING DIMENSIONS

Inches (millimeters)

	WIDTH	HEIGHT	DEPTH	VIEW (H x W)
SLDVT-30	30-1/4" (768)	35-1/4" (895)	16" (406)	23 1/4" x 27"
SLDVT-35	35-1/4" (895)	35-1/4" (895)	16" (406)	23 1/4" x 32"
SLDVT-40	40-1/4" (1022)	40-1/4" (1022)	16" (406)	28 1/4" x 37"
SLDVT-45	45-1/4" (1149)	40-1/4" (1022)	16" (406)	28 1/4" x 42"

## BTU/HR CHART

	NATURAL (HIGH-LOW)		PROPANE (HIGH-LOW)	
SLDVT-30NM	13,500-10,000		SLDVT-30PM	11,500-9,000
SLDVT-35NM	16,000-12,750		SLDVT-35PM	15,000-11,400
SLDVT-40NM	20,000-15,500		SLDVT-40PM	18,000-14,000
SLDVT-45NM	23,000-17,500		SLDVT-45PM	22,000-17,000

## FIREPLACE EFFICIENCY %

		SLDVT-30	SLDVT-35	SLDVT-40	SLDVT-45
EnerGuide**	NG	51	61	61	59
	LP	54	59	61	61
A.F.U.E.	NG	61	61	61	66
	LP	61	61	61	66

\*\*Intermittent ignition systems



© Innovative Hearth Products LLC 2013  
 www.lennoxhearthproducts.com

785259M-A 03/13