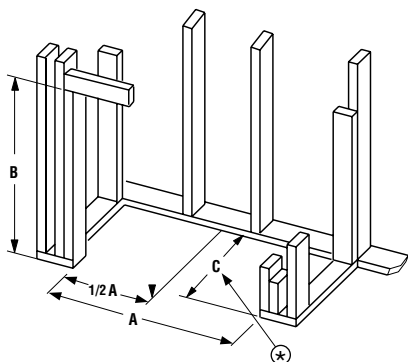


Lennox Hearth Products SUPERIOR® B-Vent Gas Fireplace Specifications

Models SLBV-35 / SLBV-40

FIREPLACE FRAMING DIMENSIONS

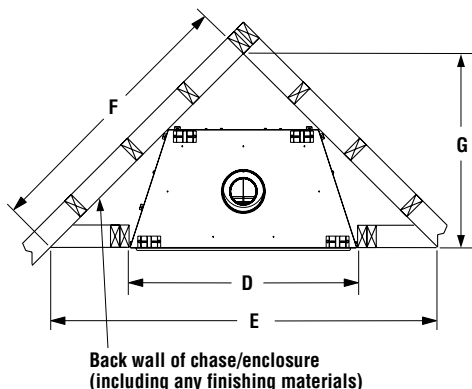
Construct framing with 2x4 or larger lumber.



⊛ "C" is required framing depth dimension when finish material (drywall) thickness is 1/2 in. (13mm).

FRAMING DIMENSIONS				
Model No.		A	B	C
SLBV-35	in.	35-1/4	35-1/4	16
	mm	895	895	406
SLBV-40	in.	40-1/4	40-1/4	16
	mm	1022	1022	406

CORNER FRAMING DIMENSIONS

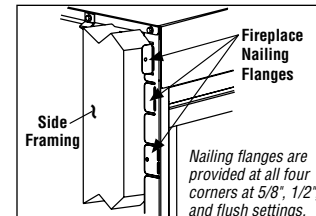
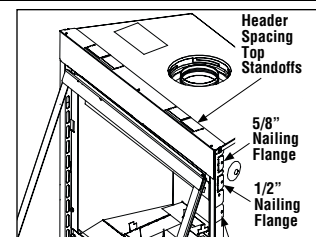


Back wall of chase/enclosure (including any finishing materials)

CORNER FRAMING DIMENSIONS					
Model No.		D	E	F	G
SLBV-35	in.	35-1/4	57-1/2	40-5/8	28-3/4
	mm	895	1461	1032	730
SLBV-40	in.	40-1/4	61-13/16	48-11/32	30-11/16
	mm	1022	1554	1101	779

Vertical Venting through Ceiling

Frame Ceiling Opening: To locate the center of the vertical run, use a plumb line from the ceiling above the appliance.



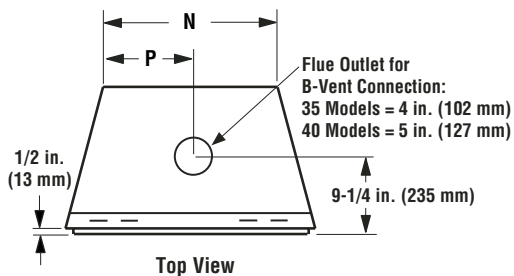
Fireplace secured to framing by nailing flanges

(Left side front corner of fireplace shown. Right side requirements are the same.)

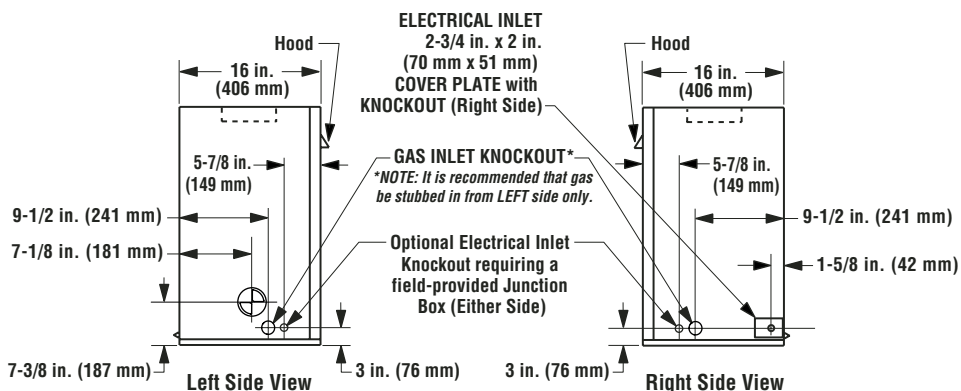
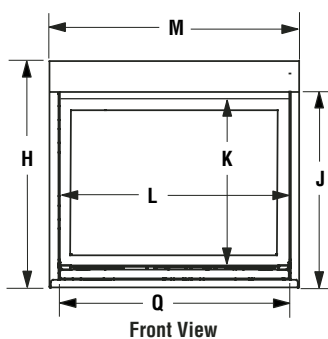
NOTE: The nailing flanges, combustible members, and screw heads in areas directly adjacent to the nailing flanges are EXEMPT from the 1/2" clearance to combustible requirements for the firebox outer wrapper.

Combustible framing may be in direct contact with the nailing flanges and may be located closer than 1/2" from screw heads and the firebox wrapper in areas adjacent to the nailing flanges. Frame the opening to the exact dimensions specified in the framing details in this manual.

APPLIANCE SPECIFICATIONS



Model No.		H	J	K	L	M	N	P	Q
SLBV-35	in.	32-1/4	28-1/8	23-1/4	32	35-1/4	25	12-1/2	33
	mm	819	714	590	813	895	635	317	838
SLBV-40	in.	37-1/4	33-1/8	28-1/4	37	40-1/4	30	15	38
	mm	946	841	718	940	1022	762	381	965



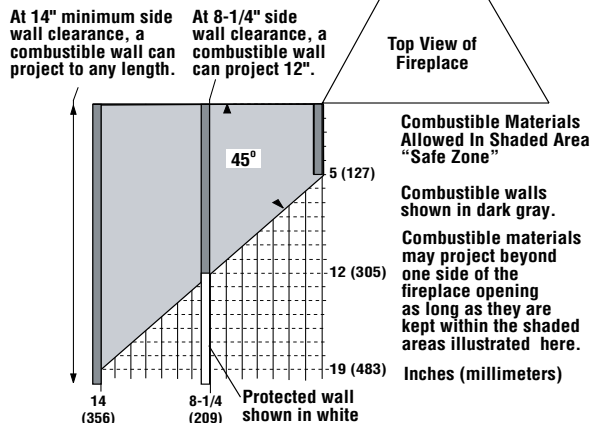
ITS Report No. 100017854



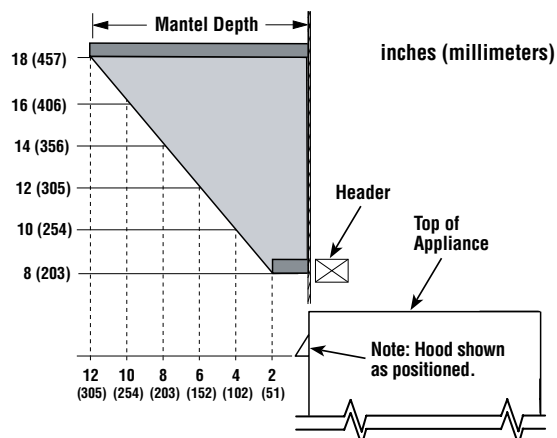
Lennox Hearth Products SUPERIOR® B-Vent Gas Fireplace Specifications

Models SLBV-35 / SLBV-40

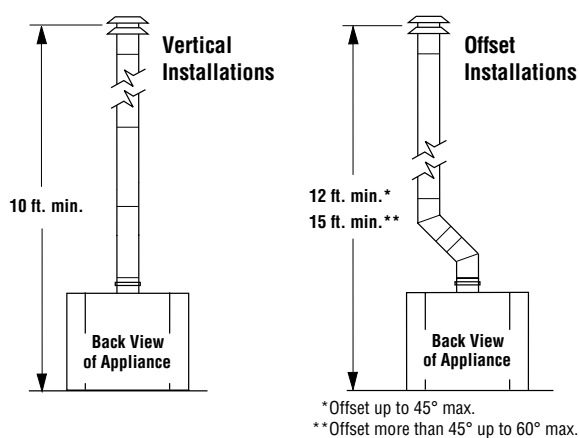
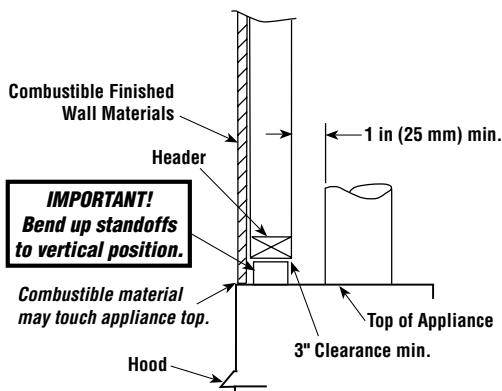
MINIMUM DISTANCE TO UNPROTECTED SIDE WALL



MINIMUM MANTEL CLEARANCES



COMBUSTIBLE WALL FRAMING



MINIMUM CLEARANCES

Back	0 in. (0 mm) to Standoffs or Dimples
Sides	0 in. (0 mm) to Standoffs or Dimples*
Top	3 in. (76 mm)
Floor	0 in. (0 mm)
Bottom of Unit to Ceiling	64 in. (1626 mm)
Vent	1 in. (25.4 mm)

SERVICE CLEARANCES

Front	3 ft. (0.9 m)
-------	---------------

NOTE: Diagrams, illustrations, and photographs are not to scale. Product designs, materials, dimensions, specifications, colors, and prices are subject to change or discontinuance without notice.

*See Step 1 on Page 8 of the appliance *Installation Instructions* for clearance requirements to the nailing flange at each side of the unit and any adjacent screw heads.

UNIT CAT. NUMBERS & SHIPPING WEIGHTS

Cat. No.	Model	Shipping Weight	Shipping Volume
H8099	SLBV-35NM	86 lbs.	10.61 cu. ft.
H8100	SLBV-35PM	86 lbs.	10.61 cu. ft.
H8101	SLBV-35NE	86 lbs.	10.61 cu. ft.
H8102	SLBV-40NM	108 lbs.	14.01 cu. ft.
H8103	SLBV-40PM	108 lbs.	14.01 cu. ft.
H8104	SLBV-40NE	108 lbs.	14.01 cu. ft.

INPUT (BTU/HR) MANUALLY-MODULATED GAS VALVES (ALL MODELS)

Model	Input Rate (BTU / HR)	
	Natural Gas	Propane Gas
SLBV-35	17,000 high	17,000 high
	13,000 low	14,000 low
SLBV-40	22,000 high	20,000 high
	17,000 low	15,500 low

