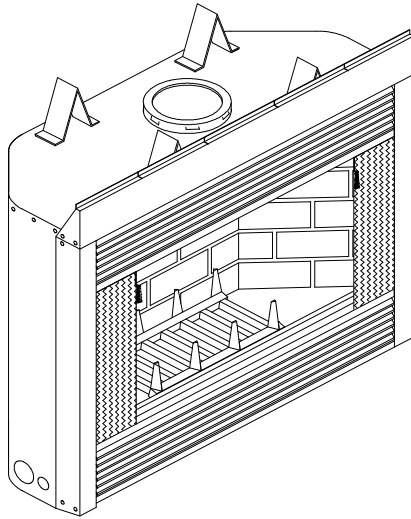


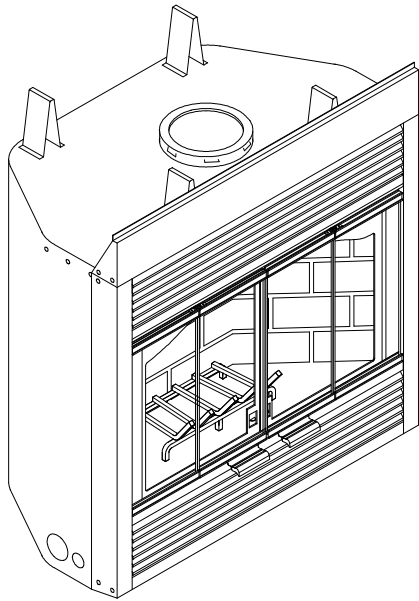
FIREPLACE MODELS

SB36 - SE36

SB42



SB36
SB42



SE36

Installation and Operating Instructions

This installation manual will help you to obtain a safe, efficient, dependable installation for your fireplace and chimney system. Please read and understand these installation instructions before beginning your installation.

Warning: Do not attempt to modify or alter the construction of the fireplace or its components. Any modification or alteration of construction may void the warranty, listings and approvals of this system. In such a case, Security Chimneys International will not be responsible for damages.

SAVE THESE INSTRUCTIONS FOR FUTURE REFERENCE.



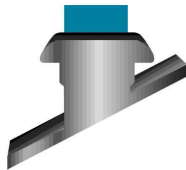
Listed to standards :
UL-127, ULC-S610

This appliance has been certified as being exempt from EPA 40 CFR 60 standard

NATIONAL FIREPLACE INSTITUTE
NFI
CERTIFIED
www.nficertified.org



We suggest that our woodburning hearth products be installed and serviced by professionals who are certified in the U.S. by the National Fireplace Institute® (NFI) as NFI Woodburning Specialists or who are certified in Canada by Wood Energy Technical Training (WETT).

Wood Energy Technical Training
www.wettinc.ca




SECURITY CHIMNEYS INTERNATIONAL

⚠ WARNINGS

-  **Hot! Do not touch!** The glass and surfaces of this appliance will be hot during operation and will retain heat for a while after shutting off the appliance. Severe burn may result.
-  Carefully supervise children in the same room as appliance.
- If small children are present in the home, it is recommended that this appliance be used with a fire screen kit.

CERTIFICATION LABEL

TESTED TO UL C 5610 JUL 1977
TESTÉ SELON ULC 5610 (Mars / Mars 1997)




LISTED FACTORY BUILT FIREPLACE
FOYER PREFABRIQUE HOMOLOGUÉ
THIS APPLIANCE HAS BEEN CERTIFIED AS STANDARD
CET APPAREIL A ÉTÉ CERTIFIÉ COMME ÉTANT
EXCLUS DE LA NORME EPA 40 CFR 60

MODELS/MODELES: 52100H, H16200D, H16103+,
52100H, H16200D, H16103+

CLEARANCES TO COMBUSTIBLES		DÉGAGEMENTS AUX COMBUSTIBLES	
SIDE WALL (FROM DOOR EDGE)	18 in. (457 mm)	MUR LATÉRAL (DE L'OUVERTURE DE LA PORTE)	18 po. (457 mm)
BACKWALL	48 in. (1219 mm)	MUR ARRIÈRE (DU CHIMNÉE)	48 po. (1219 mm)
TOP	0 in. (0 mm)	DESSUS	0 po. (0 mm)
CHIMNEY	2 in. (53 mm)	CHEMINÉE	2 po. (53 mm)

- FUEL: WOOD ONLY. HEARTH EXTENSION MUST BE INSTALLED AT FRONT OF UNIT EXTENDING 16 in. (406 mm) AT FRONT AND 8 in. (203 mm) TO SIDES OF DOOR OPENING.
- COMPONENTS USED WITH THE FIREPLACE MUST BE W.H. LISTED.
- REPLACE GLASS ONLY WITH TEMPERED GLASSES. FOR SAFE OPERATION, INSTALL IN ACCORDANCE WITH THE MANUFACTURER'S INSTRUCTIONS.
- ELECTRICAL RATING: 115V, 60Hz 0.38A.
- CAUTION: AIR OPENINGS ARE NOT TO BE OBSTRUCTED.
- DO NOT OVERFIRE UNIT.



SECURITY OVERLAY INTERNATIONAL LTD
LAVAL, QUÉBEC, CANADA

CONTACT YOUR LOCAL BUILDING OR FIRE OFFICIALS ABOUT RESTRICTIONS AND INSTALLATIONS INSPECTION IN YOUR AREA.

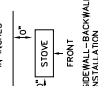
INSTALL AND USE ONLY IN ACCORDANCE WITH THE MANUFACTURER'S INSTRUCTIONS AND LOCAL BUILDING CODES.

CHIMNEY TYPE: USE ONLY LISTED CHIMNEY MODEL "AC," "ASHT," OR "ST1004."

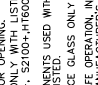
SPECIAL METHODS ARE REQUIRED WHEN PASSING THROUGH ROOFS, WALLS OR CEILING SEE INSTRUCTIONS AND BUILDING CODES.

PREVENT GREASE FIRE: INSPECT CHIMNEY CONNECTOR AND CHIMNEY FLUE MONTHLY AND CLEAN IF NECESSARY. DO NOT OVERFIRE RANGE OR CHIMNEY CONNECTOR CLOWS. KEEP FURNISHINGS AND OTHER COMBUSTIBLE MATERIALS A CONSIDERABLE DISTANCE AWAY FROM APPLIANCE.

TYPE OF FUEL: WOOD/BLEND



MINIMUM CLEARANCES TO WALL AS SHOWN IN INCHES



FLOOR PROTECTOR MINIMUM DISTANCE FROM INCHES

REV. #1
NP244

FOR PROTECTOR MATERIAL:
- GALVANIZED STEEL
- OR EQUIVALENTS

TABLE OF CONTENTS

	Page
Safety Rules	1
Fireplace Maintenance	
Creosote	2
Chimney Maintenance	2
Chimney Fires	2
Fireplace Installation	
Recommendations	3
Tools and Building Supplies	4
Fireplace Installation Procedure	4
Locating the Fireplace	4
Adjacent Walls	4
Enclosure	5
Facing and Mantel	5
Hearth Extension Requirements	6
Outside Air Installation	7
Chimney Installation	
General Notes	10
Straight Installation	11
Offset Installation	13
Angled Wall Radiation Shield (Insulated Radiation Shield)	17
Universal Roof Support Installation	18
Universal Offset Support Installation	18
Chimney Chase and Multiple Terminations	19
Parts and Components	20
Door Handle Installation (Model SE36)	22
Fireplace Dimensions	23

SAFETY RULES FOR OPERATING YOUR FIREPLACE MODEL SB36, SE36, SB42

- When in operation, a fireplace will draw air out of the house. If an outside air kit for the fireplace is not installed, it may be necessary to leave a window or door open a little while using the fireplace.

WARNING: When doors are installed on the fireplace, it should be operated with the doors fully opened or fully closed. If the doors are left partly open, smoke may be drawn into the room.

- Only use Security Chimneys International Ltd glass doors.
- Always keep the firescreen or the door closed and the damper opened when using the fireplace. Keep the damper closed when the fireplace is not in use.
- When cleaning your fireplace, ashes should be placed in a metal container with a tight-fitting lid. The closed container of ashes should be placed on a non-combustible floor or on the ground, well away from all combustible materials, pending final disposal. If the ashes are disposed of by burial in soil or otherwise locally dispersed, they should be retained in the closed container until all cinders have thoroughly cooled.

CAUTION: Never leave children unattended when there is a fire burning in the fireplace.

CAUTION: This fireplace has been tested with Security Chimneys International Ltd wood grates. They must always be used.

CAUTION: Keep combustible material at least 48" away from the front of the fireplace opening.

CAUTION: Never use gasoline, gasoline-type lantern fuel, kerosene, charcoal lighter fluid or similar liquid to start or "freshen up" a fire in this fireplace. Keep all such liquid well away from the fireplace at all times.

WARNING: This fireplace has provisions for the installation of a gas pipe and is intended only for connection to a decorative gas appliance incorporating an automatic shutoff device and complying with ANSI Z21.60-M96/CGA 2.26-M96, Standard for Decorative Gas Appliances for Installation in Solid-Fuel Burning Fireplaces.

WARNING: THIS FIREPLACE HAS NOT BEEN TESTED WITH AN UNVENTED GAS LOG SET. TO REDUCE RISK OF FIRE OR INJURY, DO NOT INSTALL AN UNVENTED GAS LOG SET INTO THIS FIREPLACE.

CAUTION: DO NOT USE CHEMICAL GLASS CLEANER ON PAINTED SURFACES AS IT MAY CAUSE PAINT TO PEEL.

FIREPLACE MAINTENANCE

CREOSOTE

When wood is burned slowly, it produces tar and other organic vapors which combine with expelled moisture to form a black deposit called creosote. The creosote vapors condense in the relatively cool chimney flue of a slow-burning fire. As a result, creosote residue accumulates on the flue lining. When ignited, this creosote makes an extremely hot fire. If the creosote accumulation is large, a creosote fire in the chimney can damage the chimney and overheat the surrounding wood framing. Creosote formation in a chimney can be minimized by making small hot fires rather than slow-burning, smouldering fires.

CHIMNEY MAINTENANCE

Regular chimney inspection and maintenance combined with proper operation will help prevent chimney fires. Keep your chimney clean. Do not allow more than 1/16" (1.6 mm) build up of creosote in your chimney. The amount of creosote will depend on variables such as frequency of use and type of fire. We recommend that you:

1. Initially inspect the chimney system weekly. From this you will learn how often it will be necessary to clean your chimney.
2. Have your chimney cleaned by a qualified chimney sweep. If you wish to clean it yourself, we recommend using a stiff plastic or non-metallic brush. If a metal brush is used, its' size should be slightly smaller than the flue to avoid damaging the chimney. Do not use a brush that could scratch the stainless steel interior of the chimney.
3. Do not expect chemical cleaners to keep your chimney clean. The rain cap can be removed for inspection and/or cleaning of the chimney.

CHIMNEY FIRES

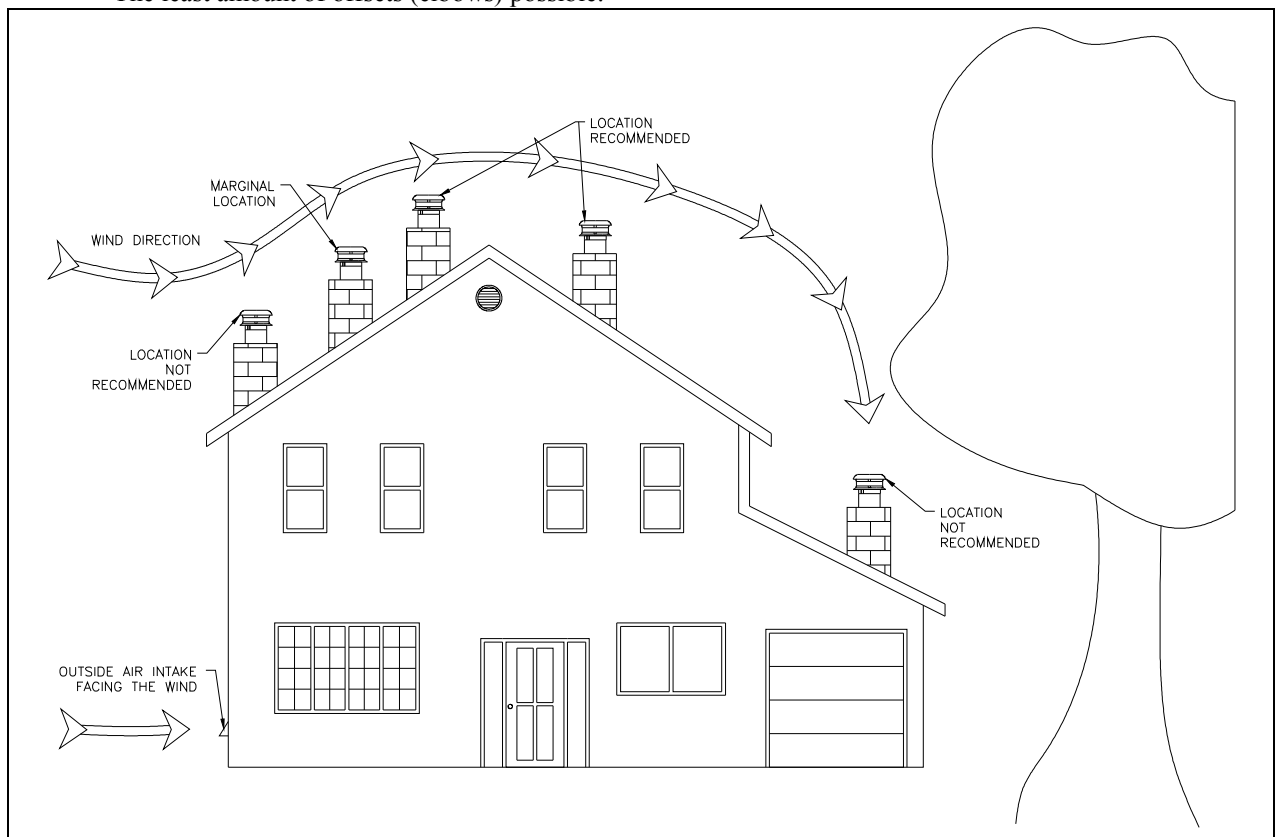
If you are having a chimney fire, follow these steps:

1. Block the fireplace opening with a non-combustible material such as asbestos or a steel sheet. If you have glass doors, close them.
2. Alert your family of the possible danger.
3. If you require assistance, alert your fire department.
4. If possible, use a dry chemical fire extinguisher, baking soda or sand to control the fire. Do not use water as it may cause a dangerous steam explosion.
5. Watch for smouldering or fire on combustibles next to the fireplace and chimney. Check outside to ensure that sparks and hot embers coming out of the chimney are not igniting the roof.
6. Do not use the fireplace again until your chimney and fireplace have been inspected by a qualified chimney sweep or fire department inspector.

FIREPLACE INSTALLATION

RECOMMENDATIONS TO THE INSTALLER

1. Before starting your fireplace installation, read these safety tips and installation instructions carefully to be sure you understand them completely. Failure to follow them could cause a fireplace malfunction resulting in serious bodily injury and / or property damage.
2. ***Always check your local building codes. The installation must comply with their regulations.***
3. These fireplaces can use an ASHT+ / HT6103+, S-2100+ / HT6000+ or AC chimney system of the inside diameter recommended by Security Chimneys International Ltd (SE36 and SB36: 7" inside diameter, SB42: 8" inside diameter)
4. To maintain top efficiency and to prevent build-up of soot and creosote, inspect and clean the chimney periodically during the heating season.
5. Ensure an adequate supply of combustion air to prevent possible hazards due to poor combustion and to avoid affecting other fuel burning appliances.
6. Your Security fireplace has been tested and listed to UL and ULC standards, to be installed in accordance with this brochure by Warnock Hershey International, Inc.
7. These instructions are written to give you an outline for a fast, safe installation and trouble-free operation.
8. Failure to use parts manufactured by Security Fireplace or variations in techniques and construction materials described in this installation manual may create a serious fire hazard; it may void the Security Fireplace warranty and will void the WHI listing.
9. The Security fireplace features optional glass doors, outside combustion air kit, blowers and decorative trims and panels.
10. When selecting the location, the chimney outlet position and the direction of the wind are important factor affecting the chimney performance. To allow a maximum draft and to reduce wind turbulence, the chimney must:
 - Penetrate the highest part of the roof.
 - Be installed as far as possible of roof offsets, trees or any other obstructions that may cause wind turbulence and back drafts in the chimney.
 - The least amount of offsets (elbows) possible.



TOOLS AND BUILDING SUPPLIES NORMALLY REQUIRED

Tools should include:

Phillips screwdriver
Slot style screwdriver
Hammer
Saw and/or Sabersaw
Level
Measuring Tape
Plumb line
Electric drill and bits
Pliers
Square

If gas pipe is used:

Pipe wrench
Pipe cutter
Pipe threader
Pipe joint compound
Pipe key valve

Building supplies:

Framing materials
Wall finishing materials
Caulking materials
(non-combustible)
Fireplace front
(overlay material)
Hearth extension
(non-combustible)

CAUTION

The most important areas of concern dealing with the installation of factory built fireplaces are clearances to combustible materials, secure assembly of component parts, the height of the chimney system, the proper use of accessory equipment and the techniques employed in using finishing materials applied to fireplace surrounds, hearth extensions and wall coverings. Each of these topics will be covered in great detail throughout this manual. PLEASE GIVE EACH OF THESE INSTRUCTIONS SPECIAL ATTENTION AS YOU PROGRESS WITH YOUR INSTALLATION.

FIREPLACE INSTALLATION PROCEDURE

1. Move the fireplace into desired position.
2. Install the outside air assembly (if required).
3. Install the hearth extension. Make sure the gap between the fireplace and the hearth extension is sealed.
4. ***If using an AC chimney, remove the radiation ring on top of the fireplace. (See Figure 6).***

LOCATING THE FIREPLACE

Do not place the fireplace on carpeting, vinyl or other soft surface floor covering. It may however, be directly placed on flat wood, plywood, particle board or other hard surface materials.

ADJACENT WALLS

A wall perpendicular to and in front of the fireplace front facing must be at least 18" (460 mm) from the fireplace opening. A wall at 45° to the front facing and starting at the fireplace's outer edge is permitted. Projections within this area are permitted. (See Figure 1).

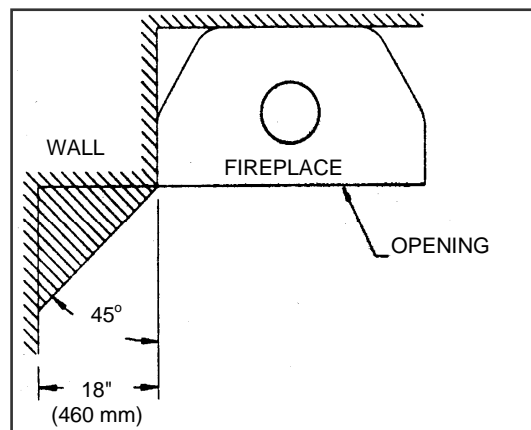


Figure 1

ENCLOSURE

1. **WARNING:** Do not place loose insulation or any other material in the space around the fireplace or the chimney. Insulation placed on or around the fireplace or chimney may cause adjacent wood to overheat and catch on fire. (Security Chimneys International recommends that you install the fireplace against a finished wall).
2. IN CANADA, the fireplace must be installed against a finished wall. It must not be installed against a vapour barrier or exposed insulation.
3. The fireplace is zero clearance. Combustible material like wood, plywood, particle board or drywall can be in direct contact with the fireplace wall or the fireplace top spacer. Two inch (50 mm) clearance to combustibles must be kept around the chimney.
4. Do not block the fireplace's hot air vents or air inlets as this will cause the fireplace to overheat.

FACING AND MANTEL

The fireplace should be framed using 2" x 3" (50 mm x 75 mm) or heavier lumber. Figures 6 and 7 show the general framing layout.

Combustible materials must be installed flush with the fireplace facing. It may not project out in front of the fireplace. (See Figure 2)

Non-combustible materials such as brick, stone or ceramic tile may project in front of and / or on the fireplace facing.

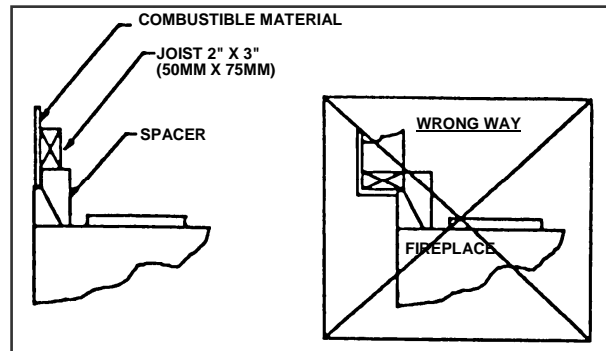


Figure 2

WARNING:

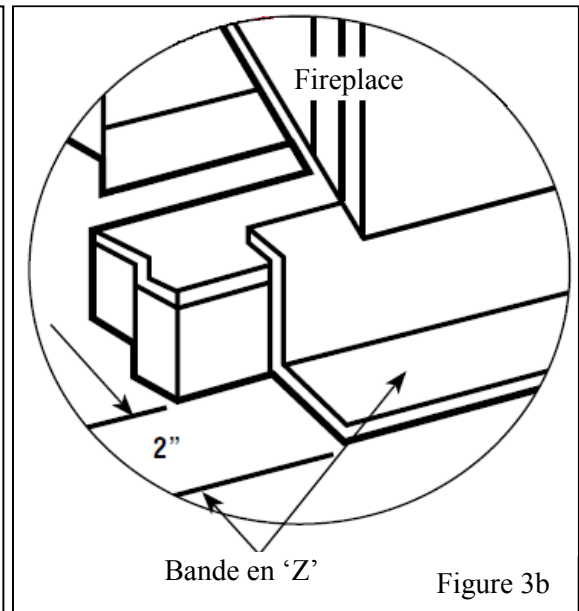
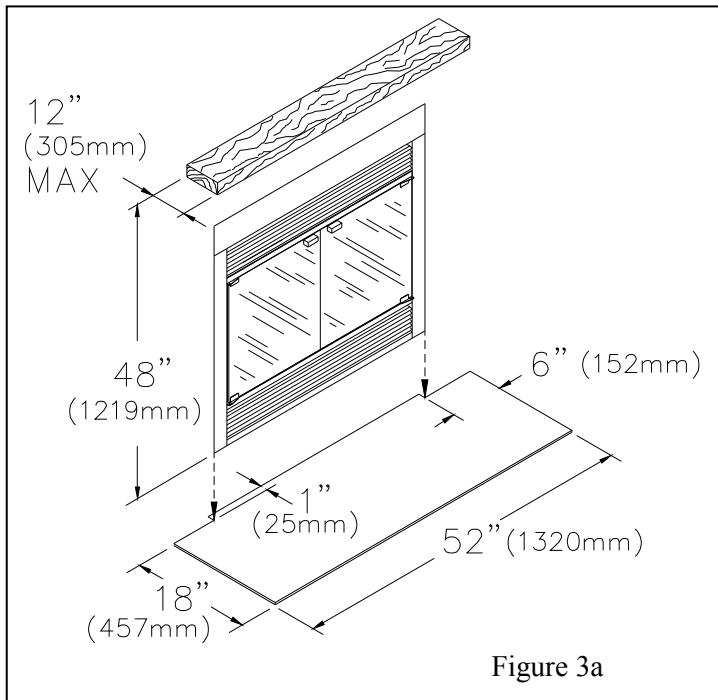
The header should rest on top of the metal spacers (See Figure 2). Do not alter the spacers or notch the header to fit around them. Do not block the air inlet or outlet as this will cause the fireplace to overheat. **A wood mantle, if installed, must be at least 48" (1.2 m) above the base of the fireplace.** (See Figure 3a)

HEARTH EXTENSION REQUIREMENTS

A non-combustible hearth extension must be built in front of the fireplace and extend out on both sides.

Hearth extensions must be constructed according to the following guidelines:

1. A layer of sheet metal 0.018" (0.45 mm) thick or 3/8" (9 mm) thick millboard or any other material (tiles, marble or granite) with equivalent heat resistance may be used. Check with your local building authority before installation to determine what other materials are acceptable in your area.
2. The hearth extension should be secured to the floor and must extend a minimum of 1" (25 mm) under the unit (Figure 3a).
3. On a raised base or raised hearth, a "Z" shape piece of metal must be fabricated to join from under the fireplace to the hearth extension. This piece of metal must cover the entire width of the fireplace. This 'Z' shaped piece replaces the 1" extension under the unit described in the point #2 thereover (figure 3b). Hearth extension must respect the same minimal dimensions as a fireplace installed directly on the floor (figure 3a).



OUTSIDE AIR INSTALLATION FOR FIREPLACE AND AC CHIMNEY

During operation, the fireplace requires air for combustion and draws air out of the house. It may starve other fuel burning appliances such as gas or oil furnaces. As well, exhaust fans and fan driven appliances may compete for air, causing a negative pressure in the home and resulting in smoke entering the home from the fireplace. This situation is aggravated in modern airtight houses. To overcome this potential problem, we recommend installing an OUTSIDE AIR assembly and glass doors.

The fireplace's outside air control should be open when the fireplace is being used. The outside air control is located behind the fireplace's lower louver. Pull this lever to open.

The OUTSIDE AIR assembly for fireplaces and air cooled chimneys is mandatory in some areas. Check with your local building authority for the requirements in your area.

If the outside air assembly on the AC chimney is not installed, provide a supply of fresh air with an air intake in the enclosure.

The outside air assembly must be installed according to the following guidelines: (see Figures 4 & 5)

1. The maximum length of insulated flexible duct 4" ID. (100 mm) is 20 ft (6.1 m). If a longer duct is required, use a 6" ID. insulated (150 mm) flexible duct. The maximum length is 40 ft (12 m).
2. The duct and register may be installed above or below floor level.
3. The outside air register must not be installed more than 10 feet (3050mm) above the base of the appliance.
4. The outside air assembly must come from outside the house. It must not draw air from the attic, the basement, or a garage.
5. Locate the outside register where it will be well away from automobile exhaust fumes, or other vents.
6. The outside air register should be installed where it is not likely to be blocked by snow or exposed to extreme wind.

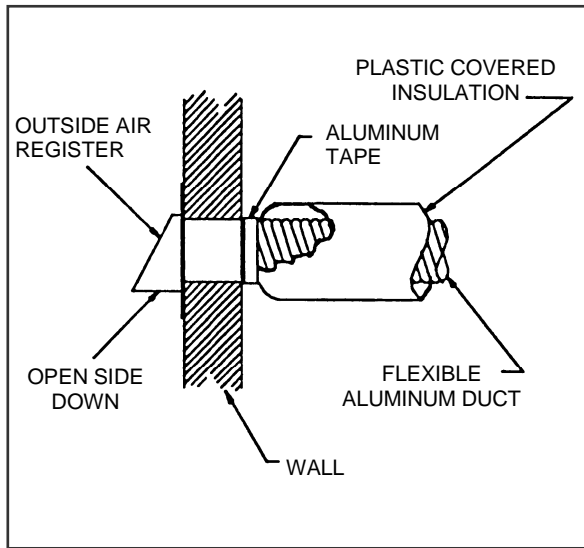


Figure 4

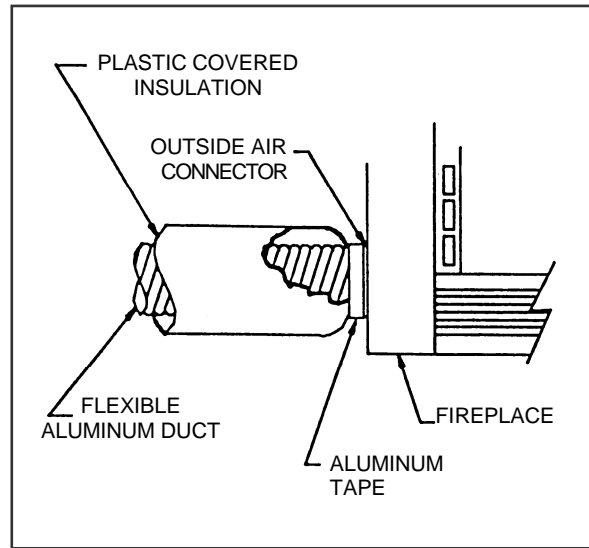


Figure 5

TYPICAL INSTALLATIONS

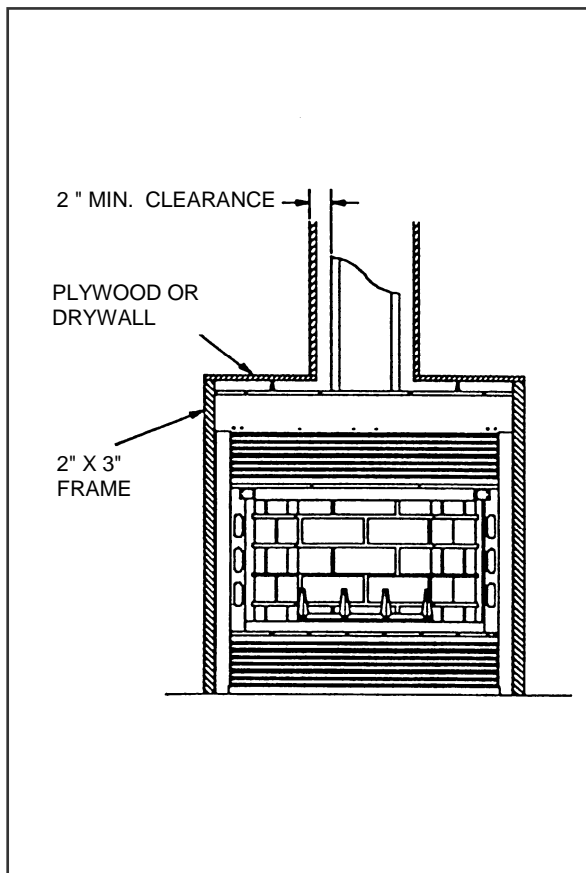


Figure 6a

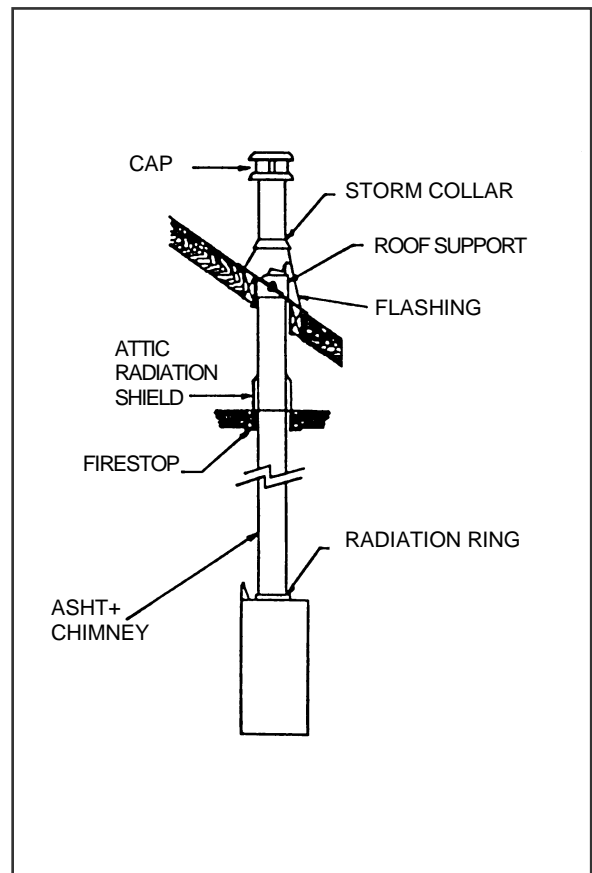


Figure 6b

**AC MODEL
(AIR COOLED INSULATED, GALVALUME CHIMNEY)**

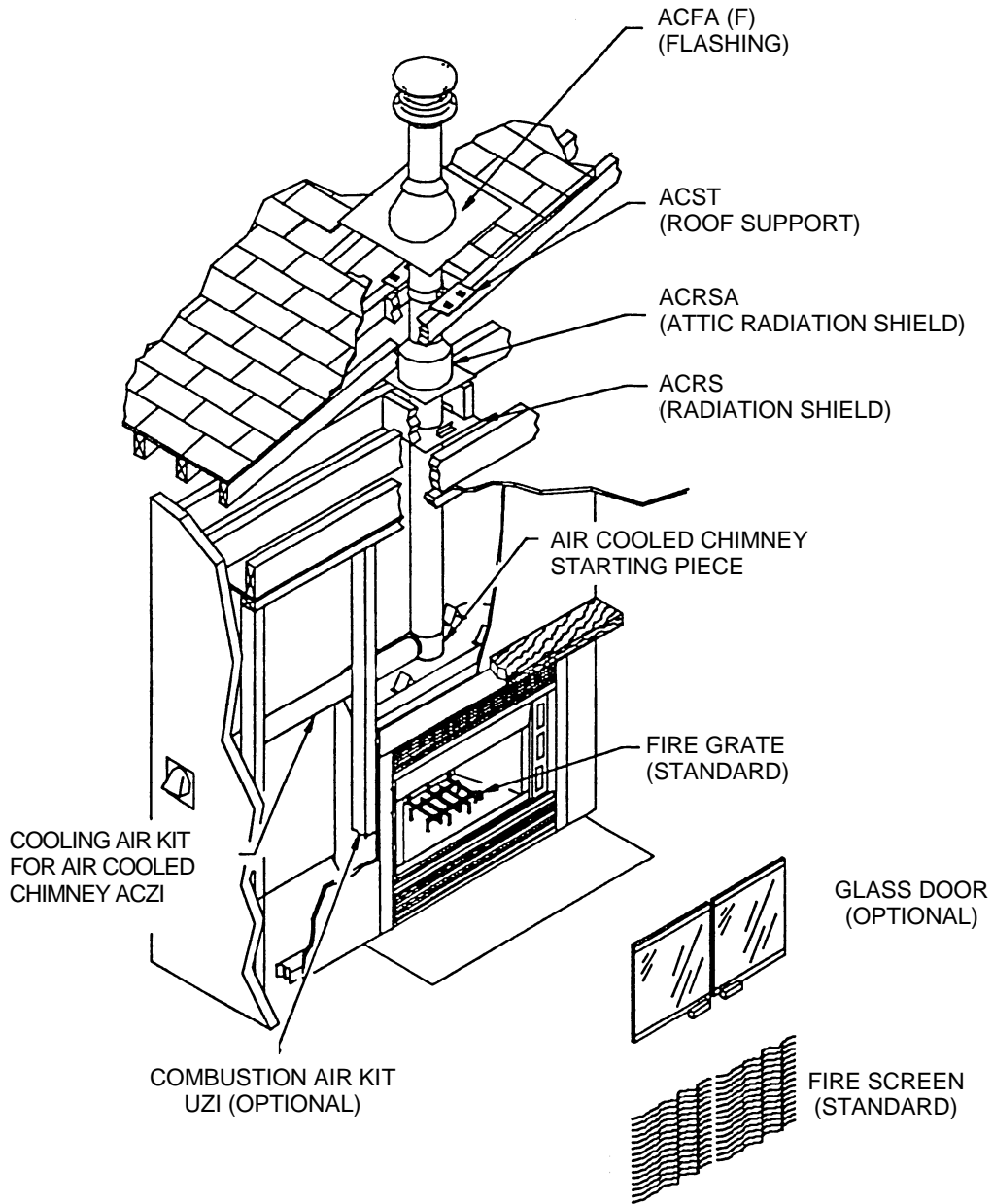


Figure 7

CHIMNEY INSTALLATION

GENERAL NOTES

1. The Security fireplaces are listed only with Security Chimneys International Ltd systems. **Do not connect the fireplace to a masonry chimney, chimney liner, or other brand of metal chimney.**
2. The chimney models HT6103+ and HT6000+ of Oliver MacLeod, division of Security Chimneys International Ltd are respectively equivalent to models ASHT+ and S-2100+.
3. In areas with continuous temperatures below 0⁰ F (-18⁰ C) the use of an exterior chimney increases the likelihood of operating problems such as low draft, high rate of creosoting and poor start-up characteristics. Exterior chimneys are also prone to down-drafting and flow reversal. Installations which are located low in the house such as in a basement, in combination with outside chimneys, are especially prone to flow reversal. In cold areas, air cooled chimneys should not be used in an exterior installation.
4. A chimney venting a fireplace shall not vent any other appliance.
5. The minimum system height, including the fireplace is the following:

Table 1

FIREPLACE MODEL	SE36 / SB36	SB42
CHIMNEY MODEL	ASHT+ / HT6103+, S-2100+ / HT6000+ or AC	
VERTICAL INSTALLATION	4.57 m (15')	4.57 m (15')
ONE OFFSET	5.49 m (18')	5.49 m (18')
TWO OFFSETS	6.10 m (20')	6.10 m (20')

NOTE : A maximum of 2 offsets is allowed.

6. In altitude, add 18" (450 mm) to the chimney for every 2000 ft. (600 m) above sea level.

WARNING:

In cold areas, an air cooled chimney may generate large amounts of water due to condensation. This water will accumulate on top of the fireplace and may cause corrosion. Security Chimneys International Ltd cannot be held responsible for condensation and corrosion problems. In cold climates, Security Chimneys International recommends the use of ASHT+ / HT6103+ or S-2100+ / HT6000+ chimneys.

7. **All chimney installations must include at least one support.** The maximum length of chimney that can be supported by the fireplace is 6 ft. (1.8 m) for S-2100+ / HT6000+, 10 ft. (3m) for ASHT+ / HT6103+ or 26 ft. (8 m) for AC.
8. The chimney must extend at least 3' (915 mm) above its point of contact with the roof and at least 2 feet (610 mm) higher than any wall, roof or building within 10' (3 m) of it. (see Figure 8)
9. If the chimney extends higher than 5' (1500 mm) above the roof, it must be secured using a roof brace or guide wires.
10. A rain cap must be installed on top of the chimney. Failure to install a rain cap may cause the fireplace to corrode and operate inefficiently.
11. Cut and frame square holes in all floors and the roof to provide 2" (50 mm) of clearance between the chimney and any combustible material. Do not fill this 2" (50 mm) space with any material. (See Figure 9)
12. **Portions of the chimney which may extend through accessible spaces must be enclosed to avoid contact or damage to the chimney.**

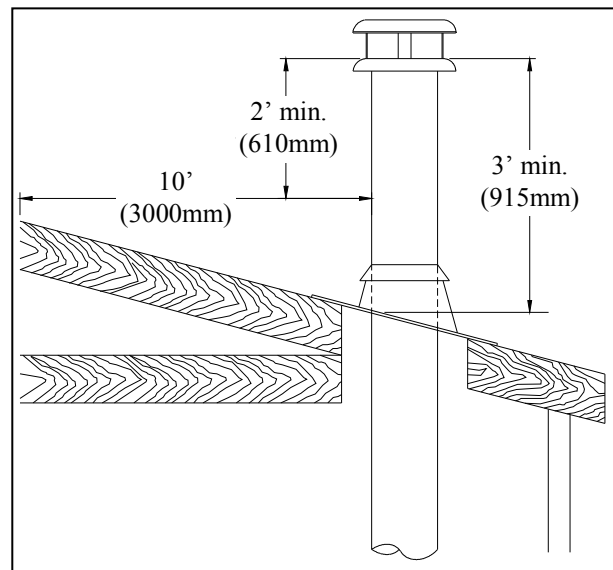


Figure 8

STRAIGHT INSTALLATION

Cut and frame the holes in the ceiling, floor and roof where the chimney will pass. Use a plumb bob to line up the center of the holes. See Table 2 for the hole sizes and Table 3 for the roof hole sizes

Table 2

CHIMNEY	SQUARE HOLE DIMENSIONS	
	36"	42"
ASHT+ / HT6103+	340 mm (13 3/8")	365 mm (14 3/8")
S-2100+ / HT6000+	380 mm (15")	406 mm (16")
AC	380 mm (15")	406 mm (16")

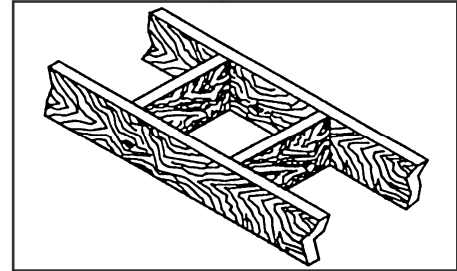


Figure 9

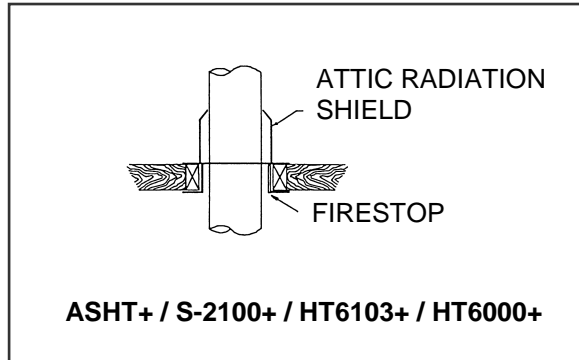


Figure 10a

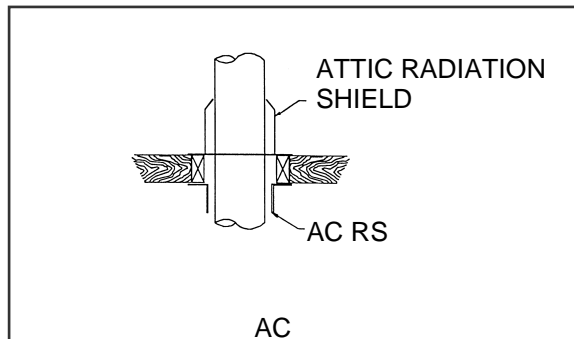


Figure 10b

From below, install a firestop in each floor through which the chimney passes. At the attic level, install an attic radiation shield from above. (Figures 10a - 10b).

Note: In cold climate locations, we recommend the installation of an insulated radiation shield (RSI) where the chimney penetrates the house's thermal barrier, instead of a firestop. See details on page 15 (Insulated Radiation Shield).

Place the first chimney length on the fireplace (A starting section should be the first chimney length used with the AC chimney).

Lock it into place. Continue installing chimney lengths until you reach the desired height.

Put the roof support in place (Refer to page 16).

Put the roof flashing in place (see fig. 11a & 11b). Seal the joint between the roof and the flashing with roofing pitch. For sloping roofs, place the flashing under the upper shingles and on top of the lower shingles.

Nail the flashing to the roof using roofing nails.

Place the storm collar over the chimney and the flashing, and caulk this joint, using silicone caulking.

Tighten it with the bolt supplied. Install the chimney cap.

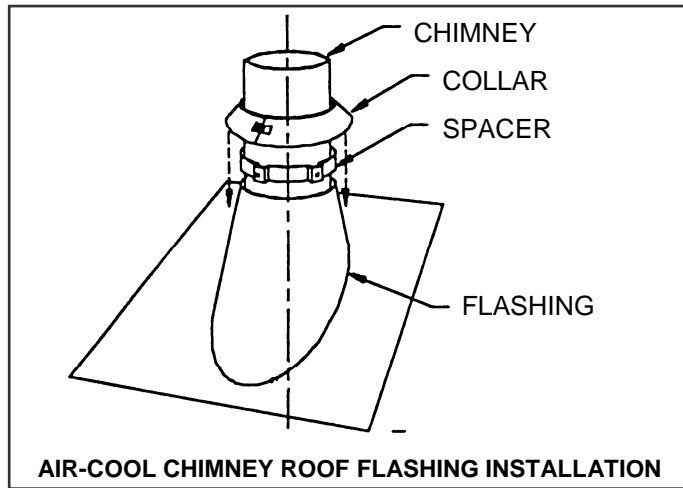


Figure 11a

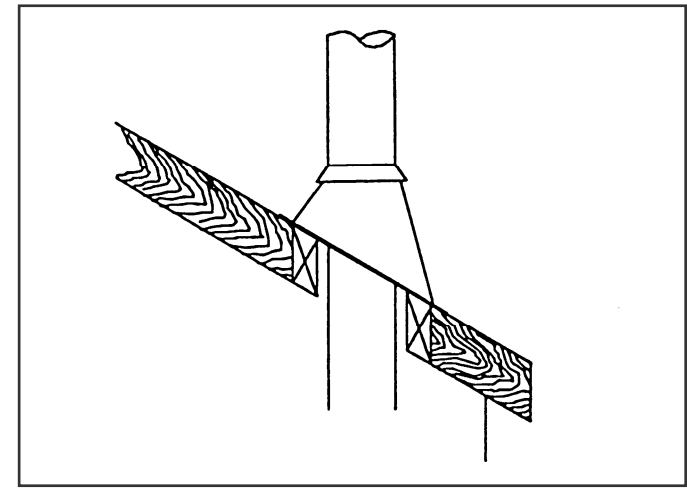


Figure 11b

ROOF DOWN SLOPE HOLE SIZE

SLOPE	ASHT+ / HT6103+		S-2100+ / HT6000+		AC	
	7"	8"	7"	8"	7"	8"
*	13 3/8" (340 mm)	14 3/8" (365 mm)	15" (380 mm)	16" (406 mm)	15" (380 mm)	15" (380 mm)
2/12	13 5/8" (345 mm)	14 5/8" (371 mm)	15 3/8" (390 mm)	16 1/4" (413 mm)	15 3/8" (390 mm)	15 3/8" (390 mm)
4/12	14 1/4" (360 mm)	15 1/4" (387 mm)	16 1/8" (410 mm)	16 7/8" (429 mm)	16 1/8" (410 mm)	16 1/8" (410 mm)
6/12	15" (380 mm)	16 1/8" (410 mm)	16 7/8" (430 mm)	17 7/8" (454 mm)	16 7/8" (430 mm)	16 7/8" (430 mm)
8/12	16 1/4" (413 mm)	17 3/8" (441 mm)	18 1/4" (465 mm)	19 1/4" (489 mm)	18 1/4" (465 mm)	18 1/4" (465 mm)
10/12	17 1/2" (445 mm)	18 3/4" (476 mm)	19 5/8" (500 mm)	20 7/8" (530 mm)	19 5/8" (500 mm)	19 5/8" (500 mm)
12/12	19" (483 mm)	20 3/8" (518 mm)	21 3/8" (545 mm)	22 5/8" (575 mm)	21 3/8" (545 mm)	21 3/8" (545 mm)

- **CROSS SLOPE HOLE SIZE**
Fit the rain cap to the top of the chimney. Secure it tightly in place.

Table 3

OFFSET INSTALLATION

The minimum chimney height (including fireplace) when using elbows is:

FIREPLACE MODEL	SE36 / SB36	SB42
CHIMNEY MODEL	ASHT+ / HT6103+, S-2100+ / HT6000+, AC	ASHT+ / HT6103+, S-2100+ / HT6000+, AC
Vertical installation	15' (4.57 m)	15' (4.57 m)
2 Elbows	18' (5.49 m)	18' (5.49 m)
4 Elbows	20' (6.10 m)	20' (6.10 m)

Table 4

NOTE: A maximum of 2 offsets is allowed.

After arriving at the location requiring the elbow, proceed as follows:

1. Install the first elbow. Turn it in the required direction. For ASHT+ / HT6103+ and S-2100+ / HT6000+ chimneys, fasten it with the three (3) ½" (12 mm) metal screws provided. For AC, attach the elbow to the surrounding framing using the straps already attached to the elbow.
2. Install the necessary lengths to achieve the required offset. Lock the chimney lengths together (for ASHT+ / HT6103+ and S-2100+ / HT6000+ chimneys, secure them using three (3) ½" (12 mm) screws). If the offset length is made of two (2) chimney lengths, use an offset support halfway up the offset. If penetrating a wall, install a wall radiation shield.
3. Use another elbow to turn the chimney vertically. Again, secure the elbow using three (3) ½" (12 mm) metal screws for ASHT+ / HT6103+ and S-2100+ / HT6000+. For AC, attach the elbows to the surrounding framing, using the straps already attached to the elbow.
4. Use a plumb bob to line up the center of the hole. Cut a hole for the chimney in the ceiling. Frame this hole using 2" x 4" (50 x 100 mm) wood.
5. From below, install a radiation shield in this opening. (Upward for ASHT+ / HT6103+ and S-2100+ / HT6000+. Downward for AC. See Figure 10).

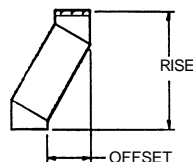
Note: *When using a support on ASHT+ / HT6103+ and S-2100+ / HT6000+, it may be necessary to cut slots in the upper portion of the radiation shield so it will fit around the support brackets.*

6. For ASHT+ / HT6103+ and S-2100+ / HT6000+ chimneys, a support must be used on the first 15' section.
7. Continue with the regular installation.

Note - With ASHT+ / HT6103+ or S-2100+ / HT6000+ chimneys: An 8" length of chimney should be used before an elbow can be installed. If an 8" length of chimney cannot be used, the radiation ring on the fireplace will have to be cut to allow room for the elbow.

Note - With AC chimneys: An ACSB starting section must be used before installing an elbow. For those situations where an offset is needed at the beginning, the ACSBO, a starting section with a built-in 4" (100 mm) offset, is available.

Note: *- 45° insulated elbow listed to ULC Standard S- 610 only, not for use in U.S.A.
In U.S.A. use 15° and 30° elbows only.*



CHIMNEY 7-8"	ELBOW	DEVIATION & HEIGHT	ONE LENGTH BETWEEN ELBOWS						TWO LENGTHS BETWEEN ELBOWS					
			8"	12"	18"	24"	36"	48"	8" & 48"	12" & 48"	18" & 48"	24" & 48"	36" & 48"	48" & 48"
Secure Temp ^{ASHT+} Nova Temp ^{HT6103+}	15°	DEVIATION	3 5/16" (84mm)	4 5/16" (110mm)	5 7/8" (149mm)	7 7/16" (189mm)	10 1/2" (267mm)	13 5/8" (346mm)	15 3/8" (391mm)	16 7/16" (418mm)	18" (457mm)	19 1/2" (495mm)	22 5/8" (575mm)	25 3/4" (654mm)
		HEIGHT	15 11/16" (398mm)	19 9/16" (497mm)	25 3/8" (645mm)	31 3/16" (792mm)	42 3/4" (1086mm)	54 3/8" (1381mm)	60 15/16" (1548mm)	64 13/16" (1646mm)	70 9/16" (1792mm)	76 3/8" (1940mm)	87" (2210mm)	99 9/16" (2529mm)
	30°	DEVIATION	7 7/16" (189mm)	9 7/16" (240mm)	12 7/16" (316mm)	15 7/16" (392mm)	21 7/16" (545mm)	27 7/16" (697mm)	30 13/16" (783mm)	32 13/16" (833mm)	35 13/16" (910mm)	38 13/16" (986mm)	44 13/16" (1138mm)	50 13/16" (1291mm)
		HEIGHT	20" (508mm)	23 1/2" (597mm)	28 11/16" (729mm)	33 7/8" (860mm)	44 1/4" (1124mm)	54 11/16" (1389mm)	60 9/16" (1538mm)	64 " (1627mm)	69 1/4" (1759mm)	74 7/16" (1891mm)	84 13/16" (2154mm)	95 1/4" (2419mm)
	45°	DEVIATION	10 5/16" (262mm)	13 3/16" (335mm)	17 3/8" (441mm)	21 5/8" (549mm)	30 1/8" (765mm)	38 5/8" (981mm)	43 7/16" (113mm)	46 1/4" (1175mm)	50 1/2" (1283mm)	54 3/4" (1391mm)	63 1/4" (1607mm)	71 11/16" (1818mm)
		HEIGHT	17 13/16" (452mm)	20 5/8" (524mm)	24 7/8" (632mm)	29 1/8" (740mm)	37 5/8" (956mm)	46 1/8" (1172mm)	50 15/16" (1294mm)	53 3/4" (1365mm)	58" (1473mm)	62 1/4" (1581mm)	70 3/4" (1797mm)	79 3/16" (2011mm)
CHIMNEY 7-8"	15°	DEVIATION	3 5/16" (84mm)	4 5/16" (110mm)	5 7/8" (149mm)	7 7/16" (189mm)	10 1/2" (267mm)	13 5/8" (346mm)	15 1/2" (394mm)	16 1/2" (419mm)	18 1/16" (459mm)	19 5/8" (498mm)	22 3/4" (578mm)	25 13/16" (656mm)
		HEIGHT	16" (406mm)	19 7/8" (505mm)	25 11/16" (652mm)	31 1/2" (800mm)	43 1/16" (1094mm)	54 5/8" (1387mm)	61 7/16" (1561mm)	65 1/4" (1657mm)	71 1/16" (1805mm)	76 7/8" (1953mm)	88 1/2" (2248mm)	100 1/16" (2542mm)
	30°	DEVIATION	7 3/8" (187mm)	9 3/8" (238mm)	12 3/8" (314mm)	15 3/8" (391mm)	21 3/8" (543mm)	27 3/8" (695mm)	30 7/8" (784mm)	32 7/8" (835mm)	35 7/8" (911mm)	38 7/8" (987mm)	44 7/8" (1140mm)	50 7/8" (1292mm)
		HEIGHT	20 11/16" (525mm)	24 3/16" (614mm)	29 3/8" (746mm)	34 9/16" (878mm)	44 15/16" (1141mm)	55 5/16" (1405mm)	61 3/8" (1559mm)	64 7/8" (1648mm)	70 1/16" (1780mm)	75 1/4" (1911mm)	85 5/8" (2175mm)	96" (2438mm)
	30°	DEVIATION	---	4 13/16" (122mm)	6 1/8" (156mm)	---	11" (280mm)	14 1/8" (359mm)	---	16 7/8" (429mm)	18 7/16" (468mm)	---	23" (584mm)	26 3/16" (665mm)
		HEIGHT	---	27 11/16" (703mm)	33 1/2" (851mm)	---	50 7/8" (1292mm)	65 1/2" (1588mm)	---	72 5/8" (1845mm)	78 7/16" (1992mm)	---	95 3/4" (2432mm)	107 3/8" (2727mm)
AC 7-8"	30°	DEVIATION	---	9 3/8" (238mm)	12 3/8" (314mm)	---	21 3/8" (543mm)	27 3/8" (695mm)	---	32 5/8" (829mm)	35 5/8" (905mm)	---	44 5/8" (1134mm)	50 5/8" (1286mm)
		HEIGHT	---	25 3/4" (654mm)	31" (878mm)	---	46 1/2" (1181mm)	57" (1448mm)	---	66" (1676mm)	71 1/4" (1810mm)	---	86 7/8" (2207mm)	97 1/4" (2470mm)
*** NOTE : With the AC chimney, a starting length of 6" high must be used on top of the fireplace before installing an elbow ***														

Table 5

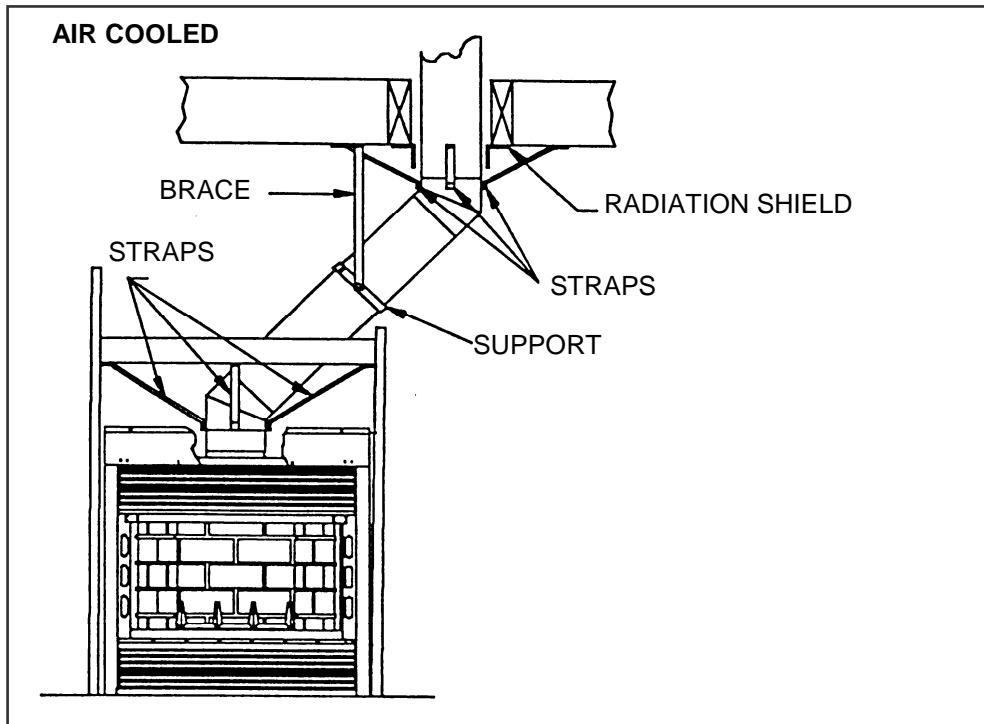


Figure 12

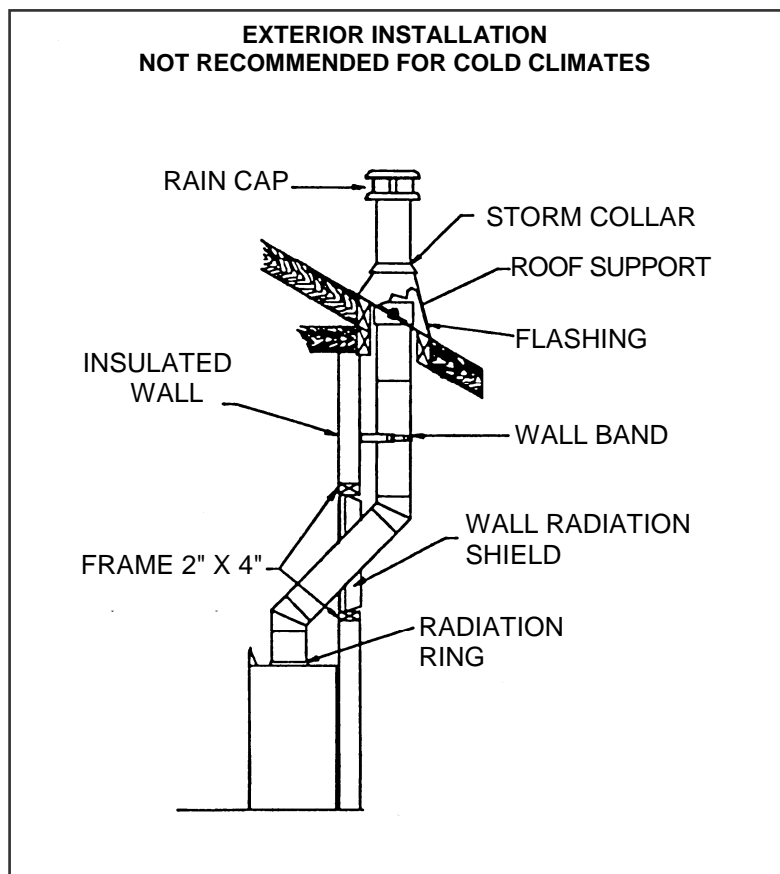


Figure 13

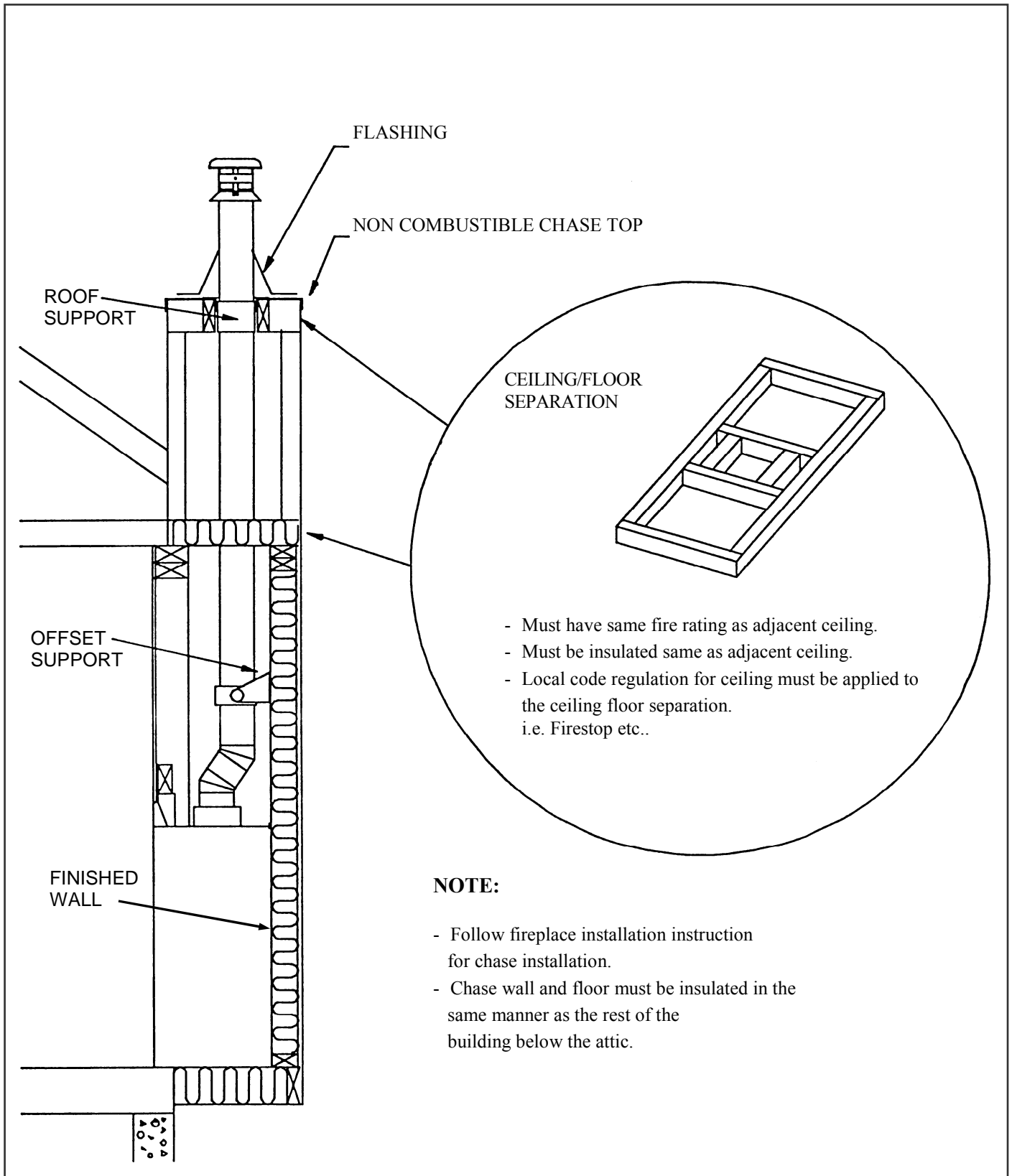


Figure 14

**ANGLED WALL RADIATION SHIELD (RSM 30°, RSM 45°) OR
INSULATED RADIATION SHIELD (RSMI 30°, RSMI 45°)
(See Figure #15)**

When traversing a combustible wall with the chimney at a 30° or 45° angle, an angled firestop and / or wall radiation shield must be installed. Only one is required.

NOTE: 45° ANGLE FOR CANADA ONLY.

In cold climate locations (such as Canada and Northern USA), we recommend that you use the insulated wall radiation shield since it will maintain the home's thermal barrier.

RSM 30°, 45° and RSMI 30°, 45°			
CHIMNEY	ANGLE	HOLE SIZE	
7" ASHT+ (Canada only)	30°	13 3/8 x 33 1/4	(340 x 845 mm)
	45°	13 3/8 x 23 1/4	(340 x 591 mm)
8" ASHT+ (Canada only)	30°	14 3/8 x 36 1/2	(365 x 927 mm)
	45°	14 3/8 x 24 3/4	(356 x 629 mm)
7" S-2100+ (Canada only)	30°	15 x 38 1/4	(380 x 972 mm)
	45°	15 x 25 7/8	(380 x 657 mm)
8" S-2100+ (Canada only)	30°	16 x 40	(406 x 1016 mm)
	45°	16 x 27 1/4	(406 x 692 mm)
7" AC	30°	15 x 38 1/4	(380 x 972 mm)
8" AC	30°	15 x 38 1/4	(380 x 972 mm)

Table 6

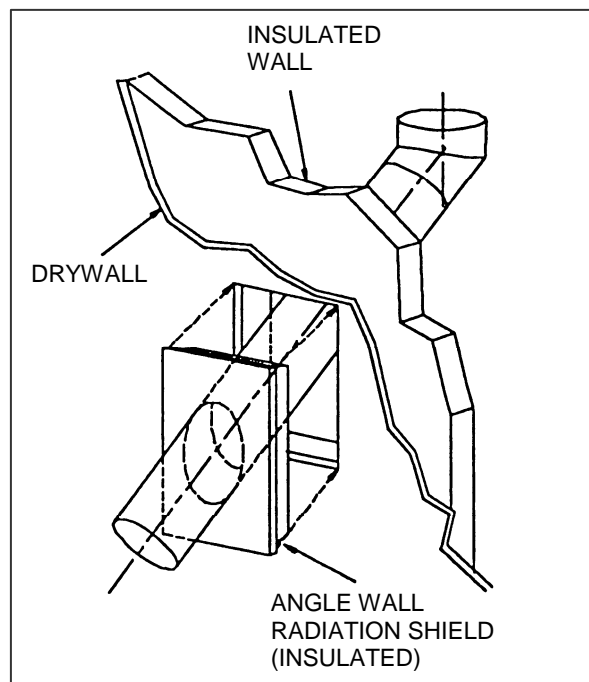


Figure 15

INSULATED RADIATION SHIELD (RSI)

In cold climate locations, an insulated firestop may be installed at the ceiling level. This will minimize heat loss around the chimney at this location.

The insulated radiation shield should be installed from below and the attic radiation shield installed from above.

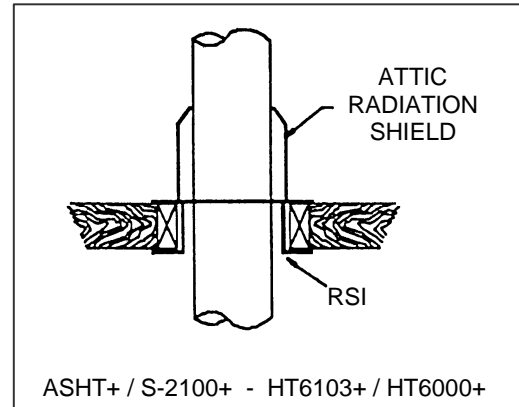


Figure 16

UNIVERSAL ROOF SUPPORT INSTALLATION

This support has three possible uses:

1. For ASHT+ / HT6103+ and S-2100+ / HT6000+, it must be used on a roof to support the chimney.
2. It may be used on a floor, ceiling or roof above an offset to support the chimney above the offset.
3. It may be used on a floor, ceiling or roof as a supplementary support when the chimney height exceeds 15 ft.

Table 7 gives maximum height of supported chimney.

Note: For the AC chimney, a support section must be used every 40' instead of the roof support.

FOR INSTALLATION INSTRUCTIONS REFER TO THE MANUAL PROVIDED WITH THE ROOF SUPPORT.

UNIVERSAL OFFSET SUPPORT INSTALLATION

This support is used to support a chimney above an offset. When the chimney offset is used to traverse a wall, this support may be used on the wall to support the chimney. The maximum height is given in Table 7.

CHIMNEY	MAXIMUM HEIGHT OF CHIMNEY SUPPORTED	
	UNIVERSAL OFFSET SUPPORT	UNIVERSAL ROOF SUPPORT
7" ASHT+ / HT6103+	24' (7.30 m)	29' (8.84 m)
8" ASHT+ / HT6103+	22' (6.70 m)	29' (8.84 m)
7" S-2100+ / HT6000+	12' (3.65 m)	20' (6.10 m)
8" S-2100+ / HT6000+	10' (3.10 m)	20' (6.10 m)
7" AC	40' (12.19 m)	50' (15.20 m)
8" AC	40' (12.19 m)	50' (15.20 m)

Table 7

FOR INSTALLATION INSTRUCTIONS, REFER TO THE MANUAL PROVIDED WITH THE OFFSET SUPPORT.

CHIMNEY CHASE AND MULTIPLE TERMINATIONS

For the purpose of this manual a chimney chase is considered a part of the chimney system rather than part of the building. The termination must be placed 18" (460 mm) above the chase.

For installations where more than one chimney is located in the same chase or within the same general area, we suggest that their terminations be separated by at least 16" (410 mm) horizontally and 18" (460 mm) vertically. This separation is to prevent smoke migrating from one chimney to another. (See Figure 17).

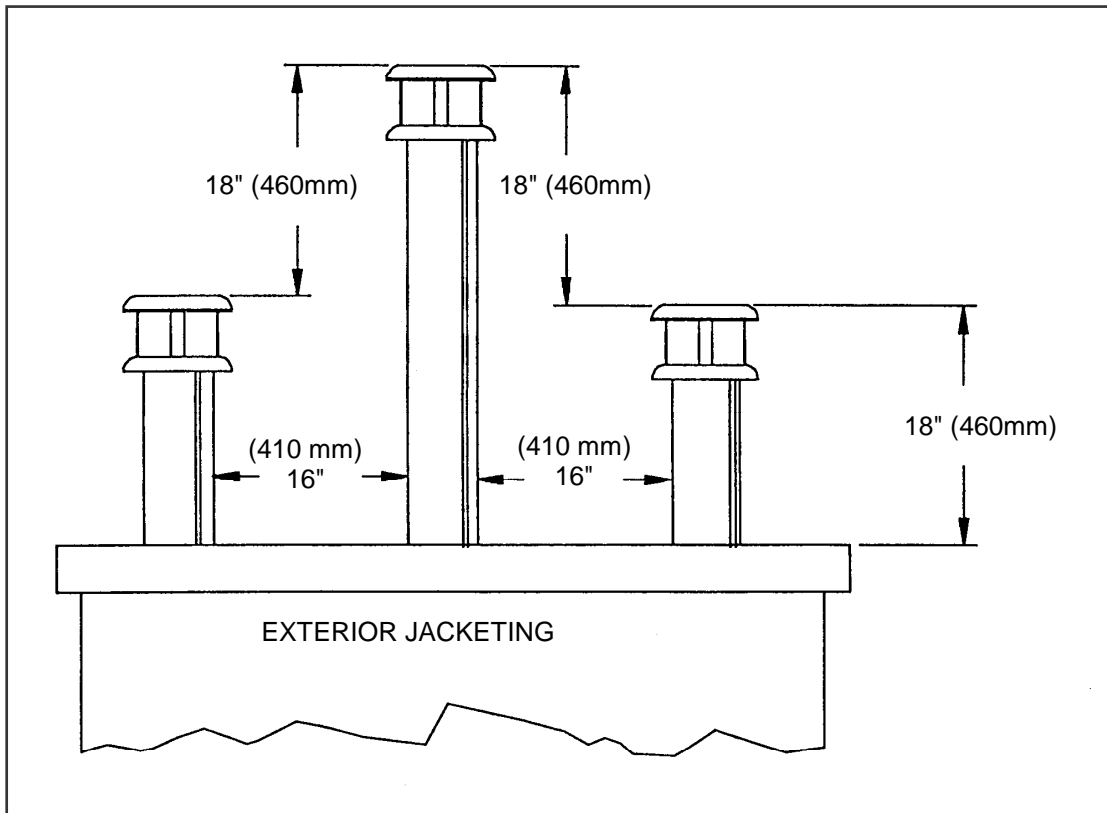


Figure 17

PARTS AND COMPONENTS

AC Chimney

LENGTHS

12" length

18" length

36" length

48" length

15° elbow

30° elbow

Rain Cap

SUPPORTS

Offset support

Support section

Roof support

Starting section

Starting section with 4" (100 mm) offset

FIRESTOPS

Radiation shield

Attic radiation shield

Wall radiation shield 30°

Insulated wall radiation shield 30°

Roof brace

Wall band

Outside air kit

(Flex, insulation, outside register and coupling)

Flat roof flashing

Adjustable roof flashing

1/12-7/12 (5° to 30°)

8/12 - 12/12 (30° to 45°)

12/12-21/12 (54° to 60°)

Storm collar

Part No.

7" DIA.

AC 7L12

AC 7L18

AC 7L36

AC 7L48

AC7E15

AC 7E30

AC 7CPR

XSO

AC 7SL

XST

AC 7SB

AC 7SBO

ACRS

AC RSA

AC RSM30

AC RSMI30

XBS2

XBM

8" DIA.

AC 8L12

AC 8L18

AC 8L36

AC 8L48

AC 8E15

AC 8E30

AC 8CPR

XSO

AC 8SL

XST

AC 8SB

AC 8SBO

ACRS

AC RSA

ACRSM30

AC RSMI30

XBS2

XBM

ACZI

ACF

ACF

AC FA

AC FB

AC FBB

AC FA

AC FB

AC FBB

AC FC

AC FC

OPTIONAL PARTS

Outside air kit - fireplace (Flex, insulation and outside register)	UZI
Fireplace coupling - for outside register	UZIDB or UZIDR
Blower (includes two blowers with magnets & thermostatic control)	UZY5
Set of brass doors 36"	SRDB36
Set of brass doors 42"	SRDB42
Set of black doors 36"	SRDN36
Set of black doors 42"	SRDN42
Builder doors 36"	SDB36
Builder doors 42"	SDB42
Brass louvers 36"	TLB36
Brass louvers 42"	TLB42

COMMON REPLACEMENT PARTS 36"

Smoke deflector	PR-DF585A
Louver	PR-SR15P
Louver pivot	PR-PIVOT
Damper with rod	PR-SBDAMPER
Facing :	
Side	PR-SB102
Top	PR-SB138
Bottom	PR-SB131
Middle	PR-SR2178

REPLACEMENT PARTS SE36

Refractory - side	PR-SR2135
Refractory - back	PR-SR2134
Refractory - bottom	PR-SR124
Refractory - front	PR-SR114
Fire grate	PR-SR2129
Rigid firescreen - right	PR-SR2141D
Rigid firescreen - left	PR-SR2141G
Folding door - right	PR-SR2162D
Folding door - left	PR-SR2162G
Door brass finish trim	SR2167
Door guide	PR-SR2146
Hinges	PR-SR2170
Glass	PR-SR2158
Handle support	PR-SR2165

REPLACEMENT PARTS SB36

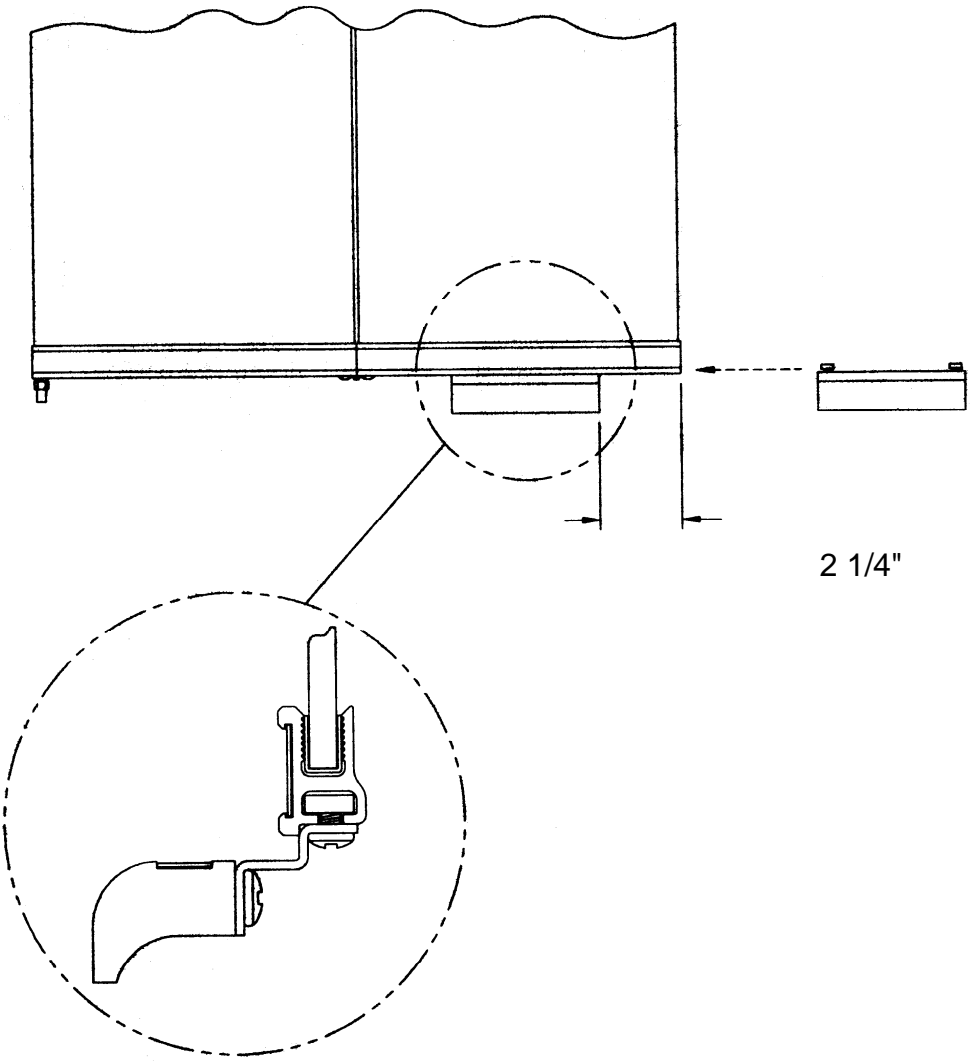
Refractory - side	PR-SB141
Refractory - back	PR-SB142
Refractory - bottom	PR-SB143
Fire grate	PR-PB01
Firescreen kit	U36ZP
Firescreen	PR-PE01
Firescreen rod	PR-TPE01
Firescreen screws	PR-SACSE
Wooden handle	PR-C7
Hinges / hardware	PR-SBDQ
Glass panel	PR-VC03

REPLACEMENT PARTS SB42

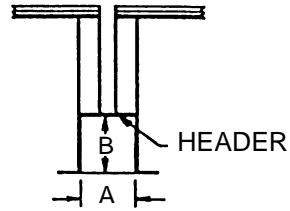
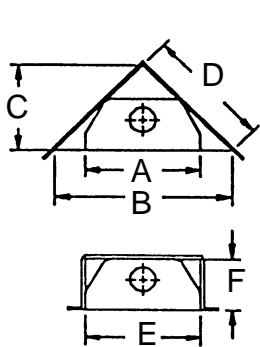
Refractory - side	PR-SB141
Refractory - back	PR-SB127
Refractory - bottom	PR-SB128
Fire grate	PR-PB01
Firescreen	U42ZP
Smoke deflector	PR-DF585B

FIREPLACE MODEL SE36

INSTALLATION INSTRUCTIONS FOR THE DOOR HANDLE



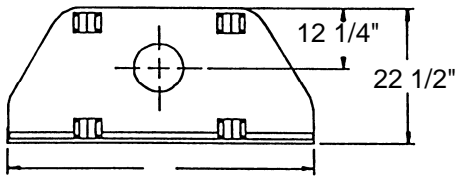
DIMENSIONS



		A	B
SB36 & SE36	Inches	40 5/8	43
	Metric (cm)	103	109
SB42	Inches	46 5/8	43
	Metric (cm)	118	109

		A	B	C	D	E	F
SB36 & SE36	Inches	40 3/8	69 1/2	34 3/4	49 1/8	40 3/8	22 3/4
	Metric (cm)	102	177	88	125	102	58
SB42	Inches	46 3/8	75 1/2	37 3/4	53 3/8	46 3/8	22 3/4
	Metric (cm)	118	192	96	136	118	58

Dimensions include 1/4" tolerance



		A	B
SB36 SE36	Inches	40 1/8	36
	Metric (cm)	102	91
SB42	Inches	46 1/8	42
	Metric (cm)	117	106

