

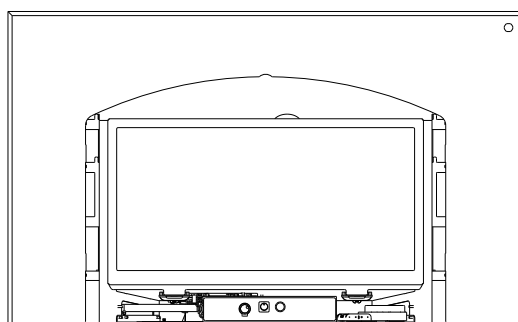
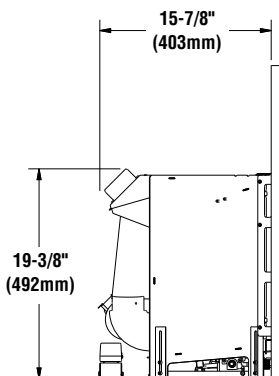
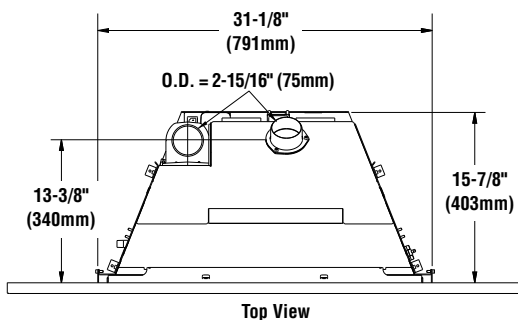
Ravenna™ IPI / TCC

Appliance Specifications

DIRECT VENT FIREPLACE INSERT

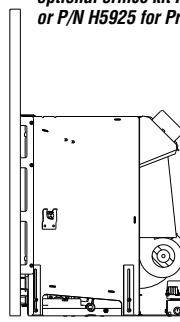
ELITE™ SERIES

Insert Dimensions



Input (BTU) - Electronic Models		
Fuel	RDV40 IPI/TCC	RDV33 IPI/TCC
	Input Rate (BTU / HR)	
Nat. Gas	Hi 40,000	Hi 33,000
	Lo 28,000	Lo 24,000
LP Gas	Hi 37,500	Hi 33,000
	Lo 26,000	Lo 24,000

This fireplace insert is factory equipped for 40,000 BTU input and can be converted to 33,000 using a smaller orifice (provided in optional orifice kit P/N H5924 for Natural Gas or P/N H5925 for Propane Gas).



Left Side View

Front View

Right Side View

Insert Clearances

MINIMUM FIREPLACE SIZES REQUIRED

	RDV40 IPI/TCC	RDV33 IPI/TCC
Front Opening Width	31.50" (800mm)	31.50" (800mm)
Height	19.50" (495mm)	19.50" (495mm)
Rear Width	19.00" (483mm)	19.00" (483mm)
Depth	16.00" (406mm)	16.00" (406mm)

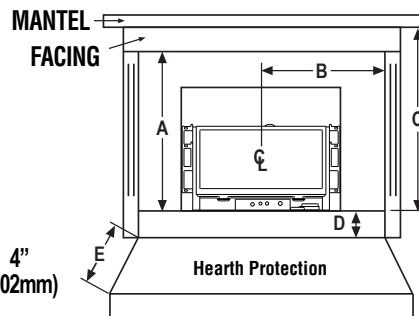
MINIMUM CLEARANCES TO COMBUSTIBLES

A = Top Facing to Bottom of Appliance	35.5" (902mm)	31.5" (800mm)
B = Side Facing or Side Wall to Center of Glass	25.5" (648mm)	25.5" (648mm)
* C = 10.5" (267mm) Mantel to Bottom of Appliance.	43" (1092mm)	39" (991mm)

HEARTH PROTECTION

D = Vertical Distance from base of appliance to Hearth Extension	0"	2"	4"	0"	2"	4"
	(0mm)	(51mm)	(102mm)	(0mm)	(51mm)	(102mm)
	14"	10"	0"	13"	10"	0"
E = Minimum Horizontal Distance from Front of Appliance	(356mm)	(254mm)	(0mm)	(330mm)	(254mm)	(0mm)

MINIMUM CLEARANCES



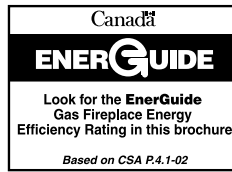
Note: Hearth protection to be min. 3/8" (10mm) thick non-combustible or equivalent, with a k factor of .84.

Listing Information

This insert has been tested and certified by OMNI -Test Laboratories to ANSI Z21.88 / CSA 2.33 Standard for Vented Gas Fireplace Heater and CGA 2.17-M91 and UL 307B Gas Burning Heating Appliances for Manufactured (Mobile) Homes in both USA and Canada.



Report # 100501897PRT-001



Efficiency		
	RDV40 IPI/TCC	RDV33 IPI/TCC
EnerGuide P4	67.17% - NG 69.07% - LP	65.55% - NG 67.80% - LP
Steady State**	83%-86%	83%-86%

** Efficiency varies slightly with various pipe configurations.

New York City, New York
(MEA#: 138-07-E).
Commonwealth of Massachusetts
(G3-1104-102)

Note: Diagrams, illustrations and photographs are not to scale – consult installation instructions. Product designs, materials, dimensions, specifications, colors and prices are subject to change or discontinuance without notice.

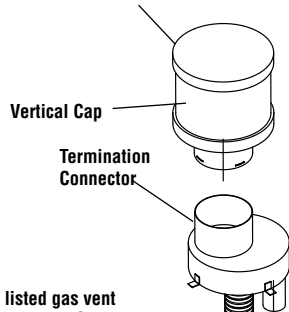


HEARTH PRODUCTS

Ravenna™ IPI / TCC

Product Reference Information			
Cat. No.	Description	Ship. Weight	Ship. Volume
H8450	Ravenna IPI	144 lb.	16.9 cu. ft.
H8451	Ravenna TCC Total Comfort Control	144 lb.	16.9 cu. ft.

The standard cap in Termination Kit TKDVI, and in Vent Kit DV3FK35 is a high wind cap



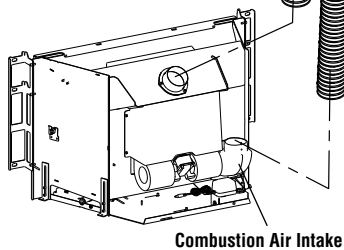
Liner Requirements:

Use 3" (76 mm) diameter listed gas vent liner (UL1777 ONLY) for the EXHAUST

Use 3" (76 mm) diameter listed liner (UL 181 or UL1777) for the AIR INTAKE

Vertical Height Min. = 10 ft. (3.1 M)
Vertical height Max. = 35 ft. (10.7 M)
Note: Measured from flue collar on unit to the end of the vent pipe or liner

The flexible vent pipe must NOT be allowed to sag behind insert or in fireplace flue.



The existing fireplace chimneys may take various contours which the flexible liners will accommodate. However, keep the flexible liner as STRAIGHT as possible, avoid unnecessary bending.

Vent Kits

Selkirk -

- Flex Liner 3" X 35' - #AF35-03
- Flex Liner 3" X 25' - #AF25-03
- Flex Liner 3" X 15' - #AF15-03
- Adaptor w/ Flashing - #4DT-CTB
- Termination Cap - #4DT-VT

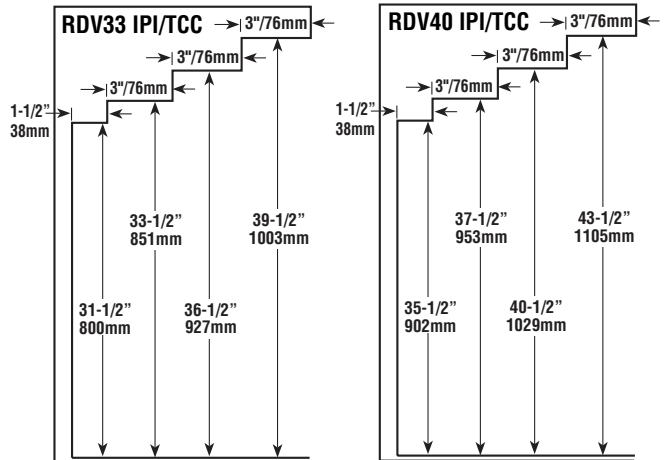
Amerivent -

- Flex Liner 3" X 35' - #3AFL-35
- Adaptor w/ Flashing - #4DCAT33
- Termination Cap - #4DVC

Simpson Dura Vent -

- Flex Liner 3" X 35' - #3DFA-35
- Adaptor w/ Flashing - #46DVA-GK
- Termination Cap - #46DVA-VCH With #460 DVA-VWG
- Termination Cap - #460DVA-VG
- Co-Linear Kit w/ 3" X 35' Flex Liner (Intake and Exhaust), Adaptor, Flashing and Termination Cap - #46DVA-CL33

Facing and Mantel Clearances



Options

Decorative Faces (one required)

- Traditional and Arch inset
- Foundry™ Screen
- Cast Pillar
- Screen Face
- Contemporary Face

Surround Kits (one required)

- Traditional 1-pc. (41"W x 29"H)
- Traditional 3-pc. (41"W x 29"H, 48"W x 29"H, 41"W x 33"H or 48"W x 33"H)
- Cast Iron (45-1/2"W x 30"H-Cast Pillar face only)

Misc. Options

- GT Remote Control Kit (IPI only)
- ZC Lower Finish Panel/Reg Face Support
- ZC Front Support Extension

Firebox Liner Kits (one required)

- Tan Brick
- Architectural Stone
- Red Brick
- Zen Garden

Standard Features

- Realistic log set
- Heavy, 14-gage aluminized steel firebox construction
- Approved for zero-clearance (metal) and masonry fireplaces
- Battery back-up in case of power outage
- Standard 155-CFM variable-speed blower delivers warm, consistent heat

Typical Installation