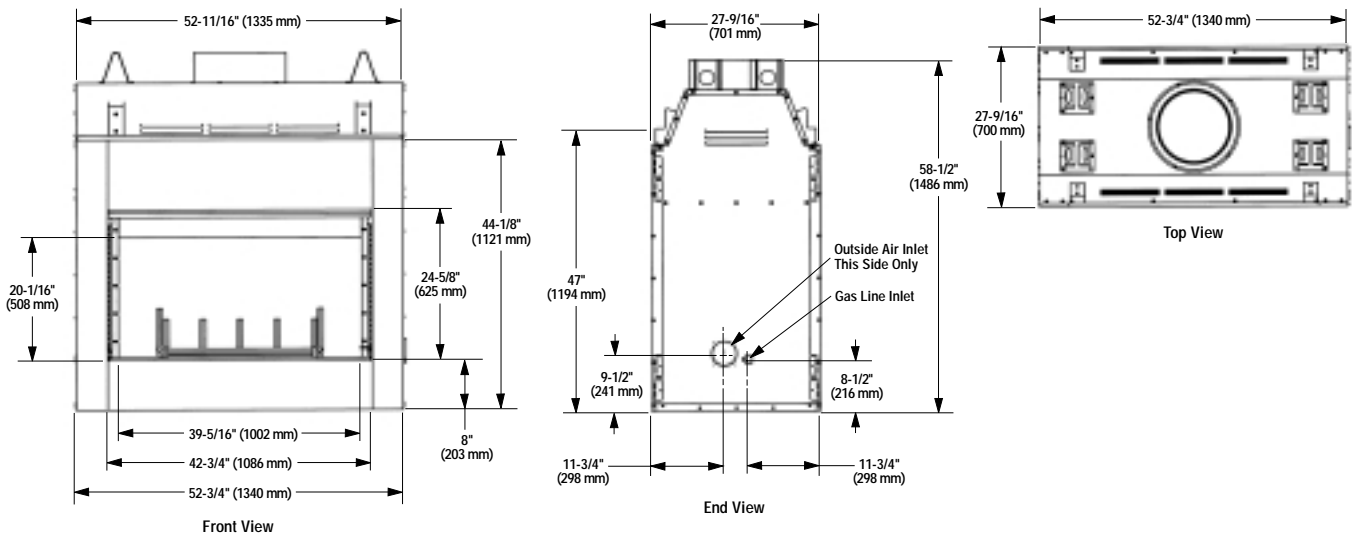


LS43ST - MAGNA-FIRE™

Appliance Specifications



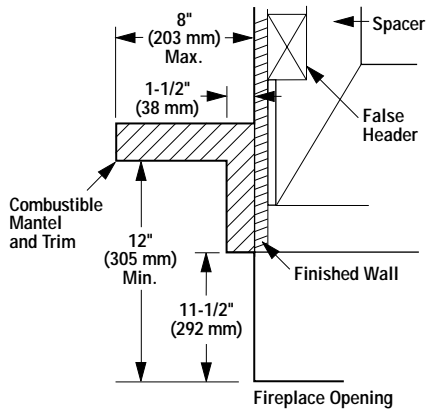
Model	Part Number	Weight
LS43ST	23M92	400 lbs.

Note: All specifications, ratings and dimensions are subject to change without notice.

Fireplace Finishes

Mantels And Trim

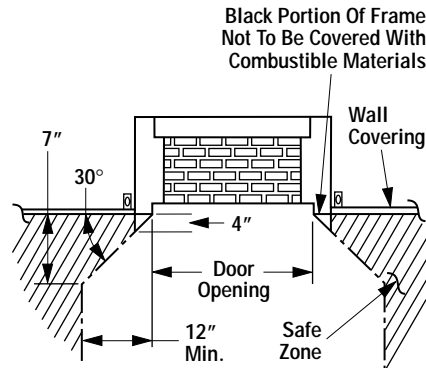
Combustible mantels and trim may be installed 12" (305 mm) above the fireplace opening as per NFPA 211; Section 7-2.3.3. and the Mantel limitation diagram. If a mantel is of a noncombustible material, it is exempt from these requirements as long as it does not interfere with the installation or operation of glass doors.



Typical Mantel Limitations

Vertical Surround Limitations

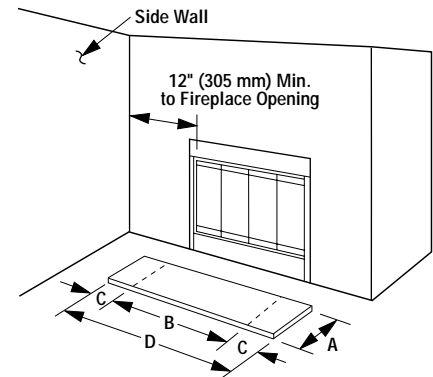
Combustible materials may project beyond the sides of the fireplace opening as long as they are kept within the shaded areas illustrated in the diagrams below.



Note: Diagrams, illustrations and photographs are not to scale - Consult Installation Instructions. Product designs, materials, dimensions, specifications, colors and prices are subject to change or discontinuance without notice.

Hearth Extensions & Wall Shields

A hearth extension must be installed with all fireplaces. Its purpose is twofold. It protects a combustible floor in front of the fireplace from both radiant heat and sparks and it distinguishes the prescribed hearth extension area from other unprotected surfaces.



Hearth Extension Dimensions

Opening Width	LS43ST
A	20" (508 mm)
B	39-3/8" (1000 mm)
C	12" (305 mm)
D	63-3/8" (1610 mm)

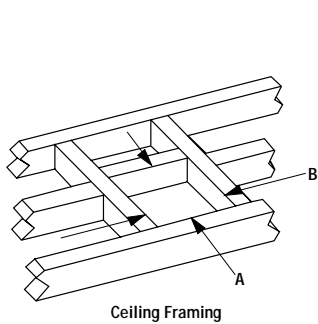
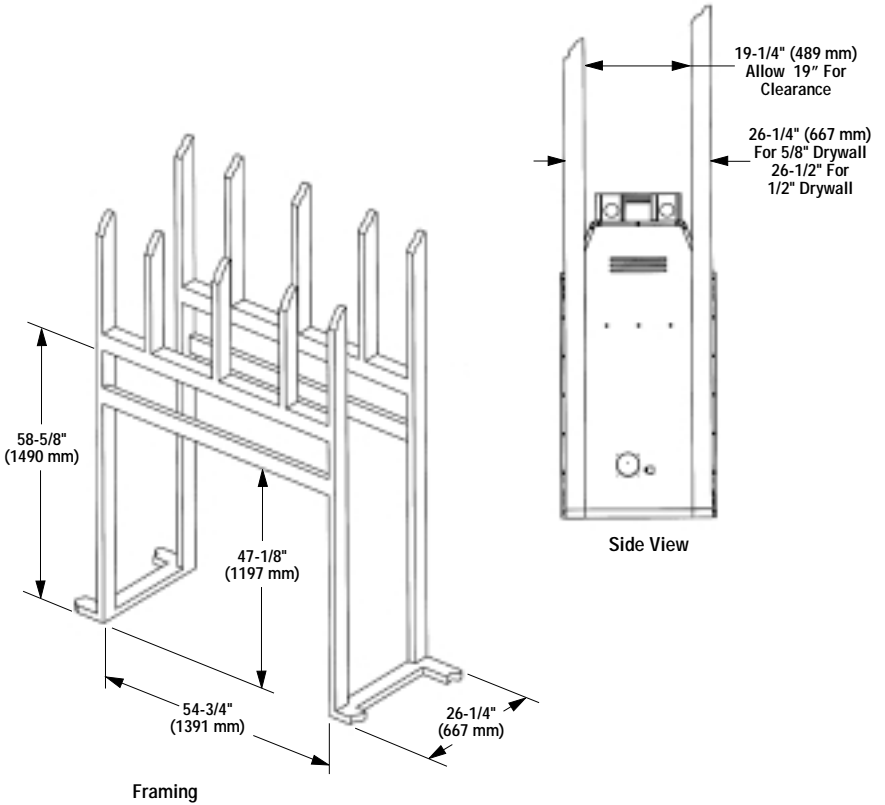
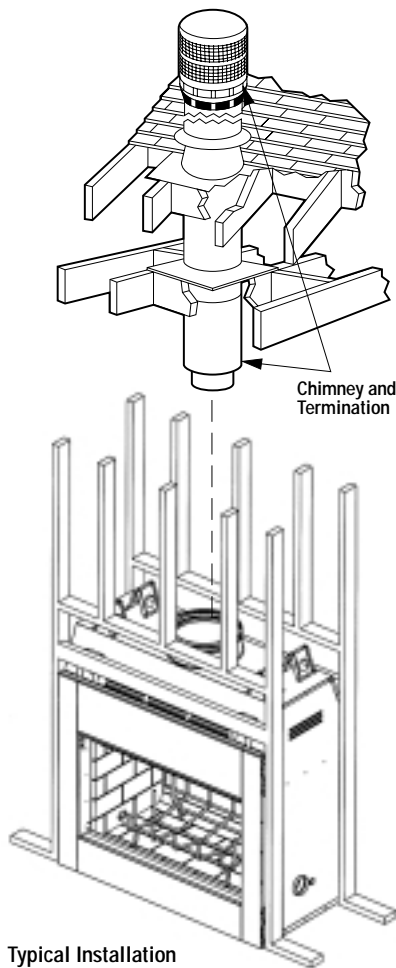
NOTE: DIAGRAMS & ILLUSTRATIONS NOT TO SCALE.



LS43ST - MAGNA-FIRE™

Framing Specifications

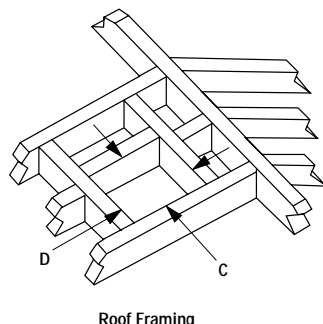
Note: All framing dimensions calculated for 1/2" dry wall at the appliance face. If sheathing the chase or finishing with other thickness materials, calculations will need to be made.



Framing Dimensions for Ceiling

Flue Type	A	B
FTF13 Vertical	19"	19"
FTF13 30° Offset	19"	29"

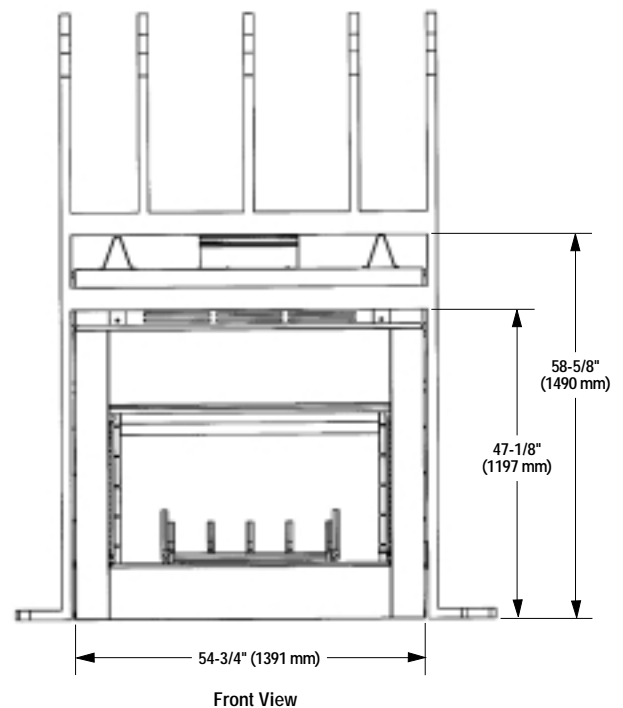
Note: For millimeters multiply by 25.4



Framing Dimensions for Roof

Pitch	C	D*
0/12	19"	19"
6/12	19"	22"
12/12	19"	27"

*Perpendicular to roof ridge



NOTE: DIAGRAMS & ILLUSTRATIONS NOT TO SCALE.