



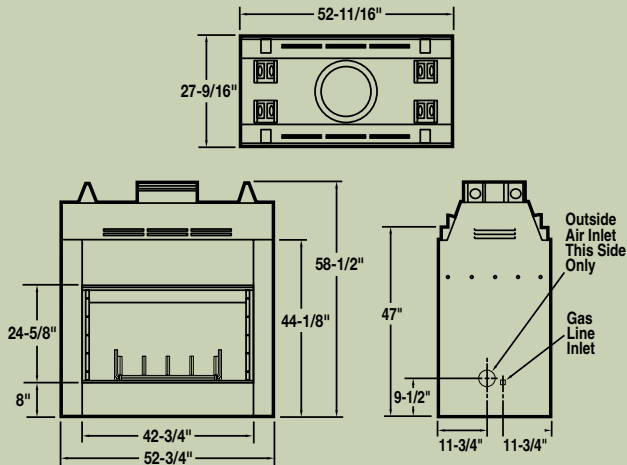
One of the largest unobstructed views  
ever offered in a see-through fireplace.

**LENNOX**  
HEARTH PRODUCTS

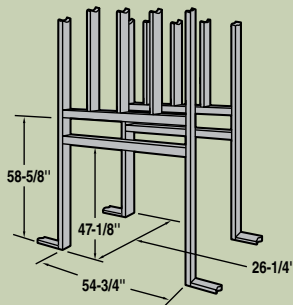
DAVE LENNOX  
*signature*  
COLLECTION

The Dave Lennox *Signature*™ Collection line of wood-burning fireplaces represents the highest achievement in design and performance. Each offering displays an impressive fire with a commanding presence that provides your home with a distinctive focal point. The Magna-Fire™ fireplace offers a see-through configuration that delivers over 2,000 square inches of combined viewing area from two rooms—one of the largest unobstructed views ever offered in a see-through fireplace.

## DIMENSIONS



## FRAMING



## STANDARD FEATURES

Clean-face, true masonry look

Realistic brickaded refractory with hidden screen pockets

Inclined masonry-look ash lip that's flush with the front opening

Large heavy-duty steel grate holds up to six logs

Built-in nailing tabs for easy installation

Integral damper and two-wall chimney system

Outside combustion air gate mechanism

Beautifies two large rooms at once

Two opposing sides offer over 2,000 square inches of viewing area

Jumbo 24"-tall by 43"-wide opening

20-year limited warranty

Backed by the Good Housekeeping Seal

## OPTIONAL ACCESSORIES

Choice of Deluxe glass doors in either black, brushed stainless or brass finishes (two door sets are required)

Outside combustion air kit

## PRODUCTS AND DEALERS YOU CAN COUNT ON

At Lennox, we understand how important it is for you to feel comfortable at home, so we're committed to providing you with the finest hearth products available. Choosing the right dealer for your hearth needs is every bit as important as choosing the right brand, and we think you'll agree that our dealers are a big reason why you can count on getting quality customer service when you call.

**LENNOX**

**HEARTH PRODUCTS**

© Lennox Industries Inc. 2011

Visit us at [www.lennox.com](http://www.lennox.com), or contact us at 1-800-9-LENNOX.

### IMPORTANT NOTES:

As with any heating appliance, fireplace or stove, this appliance is extremely hot during operation. Read and understand all operating instructions before using this appliance. For further information, consult your dealer.

Actual performance may vary depending upon home design and insulation, ceiling heights, climate, condition and type of wood used, appliance location, burn rate, accessories chosen, chimney installation and how the appliance is operated.

Diagrams, illustrations and photographs are not to scale—consult installation instructions. Product designs, materials, dimensions, specifications, colors and prices are subject to change or discontinuance without notice.

Built to UL127 standards. Refer to specific installation instructions or our website for details.

