

MPD35ST

Appliance Specifications

Millivolt Models **Electronic Models**
 MPD35ST-NM-B MPD35ST-NE-B
 MPD35ST-PM-B

Fireplace Framing Specifications

***This dimension does not include the addition of drywall to the inside of framing or clearance for the *Side Vent Seal Cap*. Adjust accordingly for your installation. Place the fireplace first, then finish the framing around it.

See also, *Side Vent Seal Cap* note below.

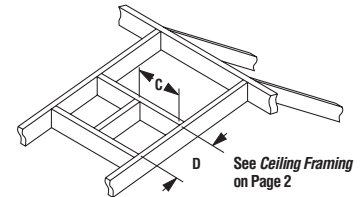
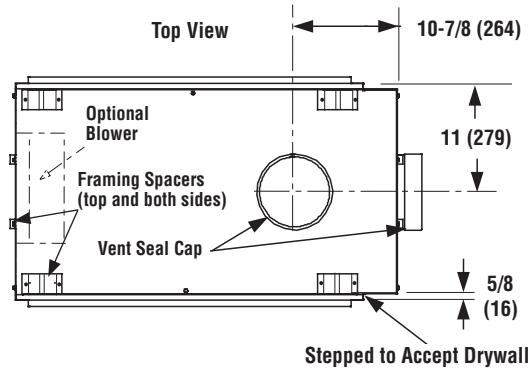
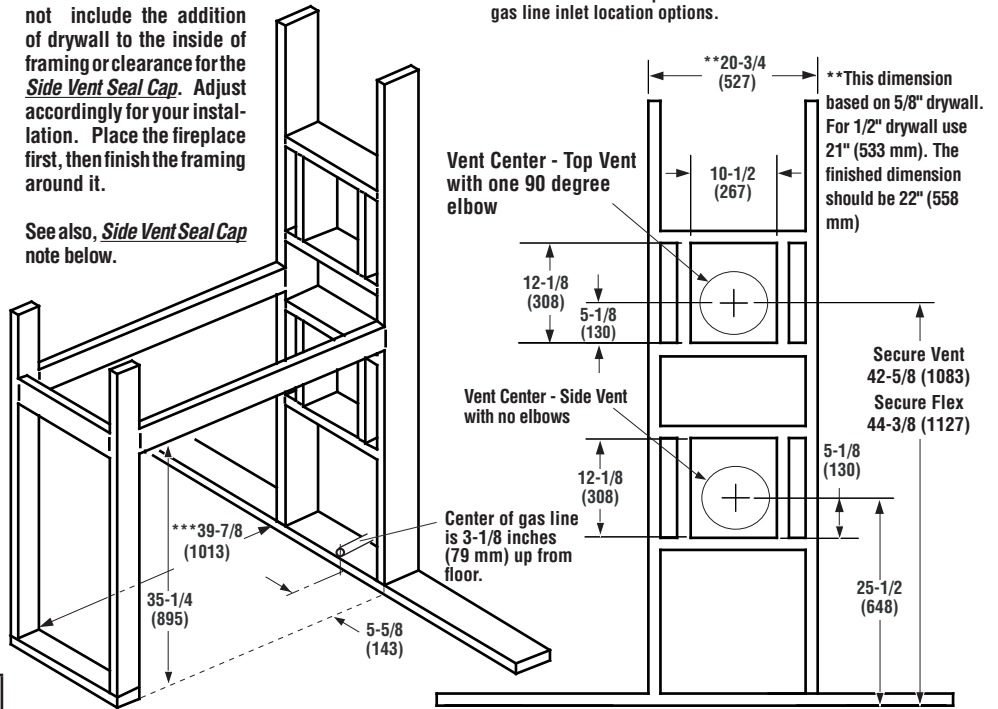
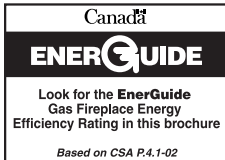
- Notes:
- Inches (millimeters)
 - Minimum Framing Stud Size is 2 x 4
 - See side views of fireplace below for gas line inlet location options.

SPECIFICATIONS	
Natural Gas BTU Input	30,000
Propane Gas BTU Input	28,000
Co-axial DV Vent Size	4-1/2" Inner 7-1/2" Outer

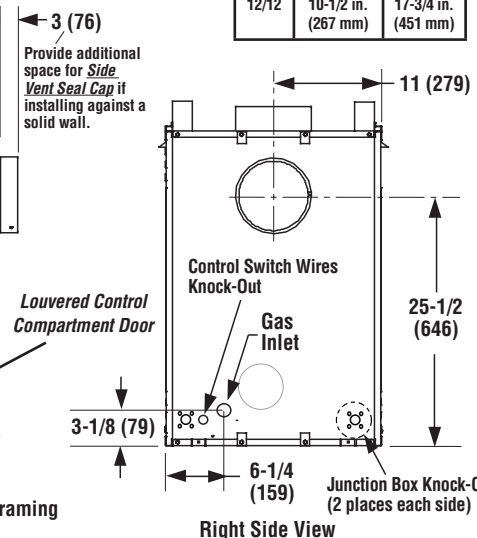
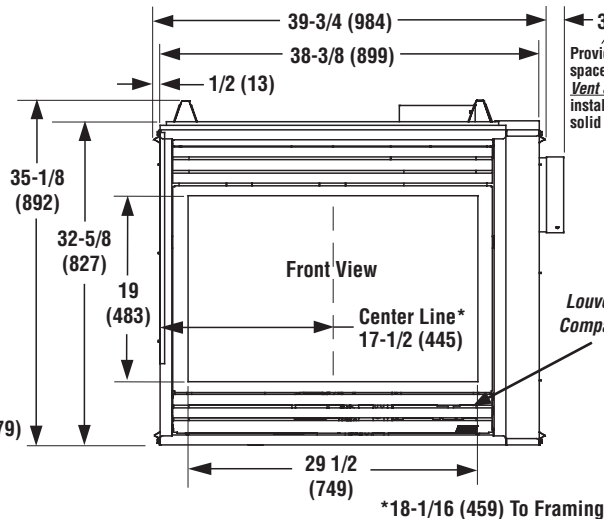
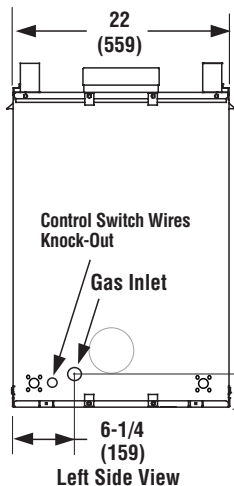
NOTES	
• Annual Fuel Utilization Efficiency	
Due to Lennox' ongoing commitment to quality, all specifications, ratings and dimensions are subject to change without notice.	
Appliance has a factory-installed vent seal cap in each flue outlet. (see <i>Installation Manual</i>)	

EFFICIENCIES	
ENERGUIDE	61 % Natural Gas
	62 % Propane Gas
• AFUE	65 % Natural Gas
	67 % Propane Gas

PRODUCT REFERENCE INFORMATION			
Cat. No.	Model	Ship Weight	Ship. Volumn
H3201	MPD35ST-NM	220 lbs	46W x 26D x 43H (30 cu.ft.)
H3202	MPD35ST-PM	220 lbs	46W x 26D x 43H (30 cu.ft.)
H3203	MPD35ST-NE	220 lbs	46W x 26D x 43H (30 cu.ft.)



Framing Dimensions for Roof Inches (millimeters)		
Pitch	C	D
0/12	10-1/2 in. (267 mm)	10-1/2 in. (267 mm)
6/12	10-1/2 in. (267 mm)	12 in. (305 mm)
12/12	10-1/2 in. (267 mm)	17-3/4 in. (451 mm)

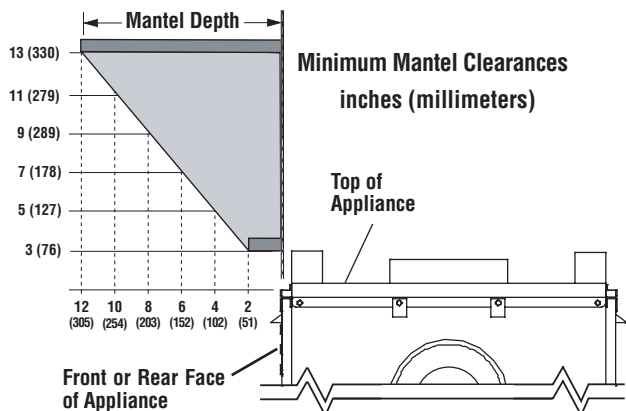


MPD35ST

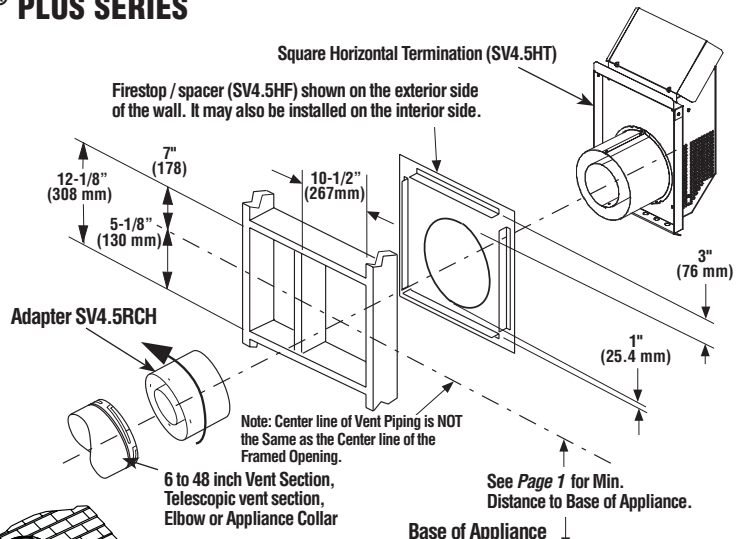
Appliance Clearances

DIRECT VENT SEE-THROUGH MERIT® PLUS SERIES

Millivolt Models **Electronic Models**
MPD35ST-NM-B MPD35ST-NE-B
MPD35ST-PM-B

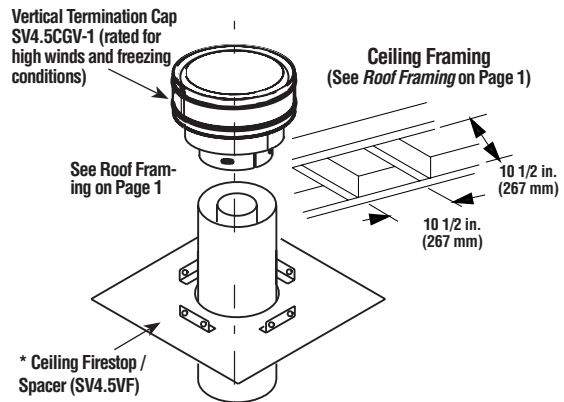
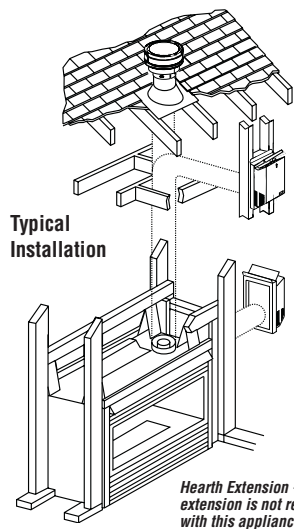


Specifications and clearances are subject to change without notice. Refer to Installation Manual before installation of these appliances for updated dimensions and instructions.

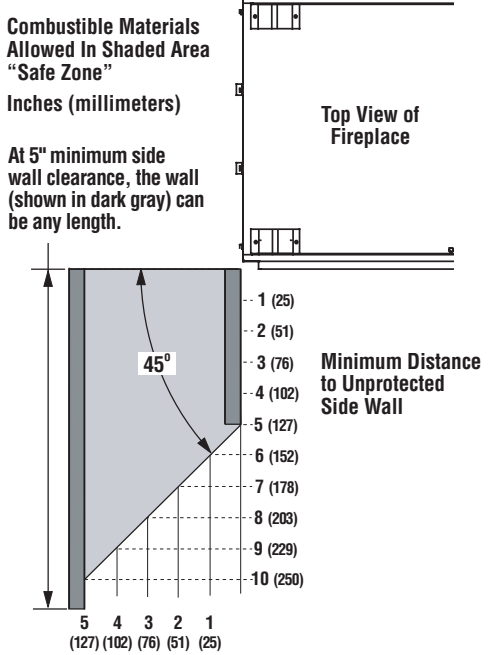
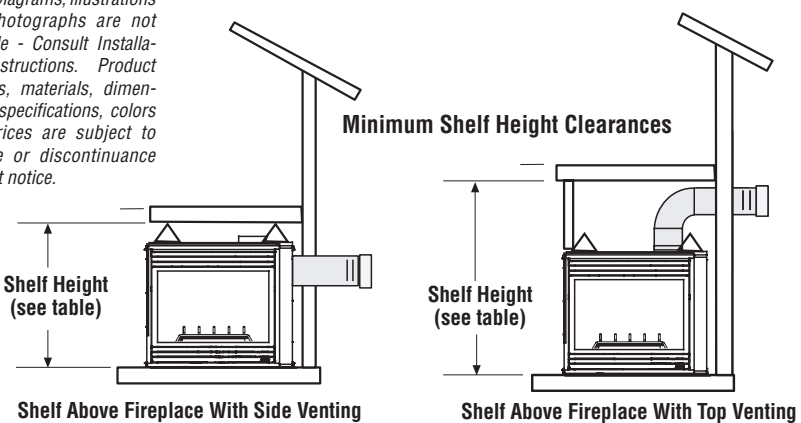


Minimum Appliance and Vent Clearances - Inches (millimeters)	
Sides	1/2 (13)
Top Spacers	0 (0)
Floor	0 (0)
Bottom of Appliance To Ceiling	72 (1829)
Vent	3 (76) Top * 1 (25.4) Sides & Bottom
SERVICE CLEARANCES Feet (meters)	
Front & Back Faces	3 ft. (0.9 m)

***Note:** 3 in. (75 mm) above any horizontal / inclined vent component.



Note: Diagrams, illustrations and photographs are not to scale - Consult Installation Instructions. Product designs, materials, dimensions, specifications, colors and prices are subject to change or discontinuance without notice.



Model No.	Shelf Height - Inches (millimeter)		
	Side Vent - Straight Out Back	Top Vent - with One 90 Degree Elbow	
	Secure Vent & Secure Flex	Secure Vent	Secure Flex
MPD35ST	35-1/4 (895)	49-3/8 (1254)	51-1/8 (1299)