

# MPD35PF

## Appliance Specifications

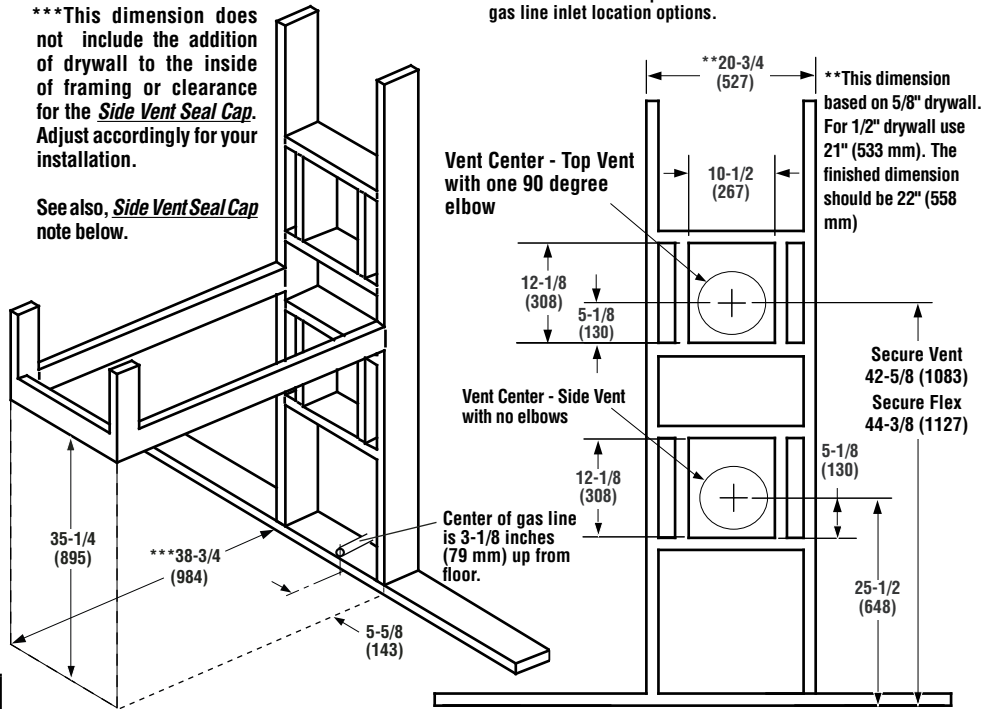
Millivolt Models	Electronic Models
MPD35PF-NM	MPD35PF-NE
MPD35PF-PM	

### Fireplace Framing Specifications

- Notes:
- Inches (millimeters)
  - Minimum Framing Stud Size is 2 x 4
  - See side views of fireplace below for gas line inlet location options.

\*\*\*This dimension does not include the addition of drywall to the inside of framing or clearance for the *Side Vent Seal Cap*. Adjust accordingly for your installation.

See also, *Side Vent Seal Cap* note below.

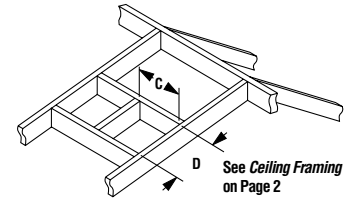
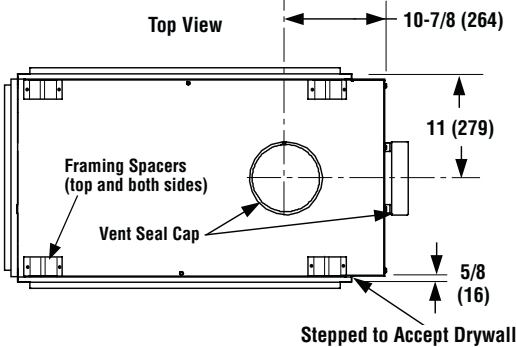
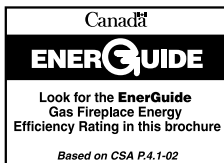


SPECIFICATIONS	
Natural Gas BTU Input	30,000
Propane Gas BTU Input	28,000
Co-axial DV Vent Size	4-1/2" Inner 7-1/2" Outer

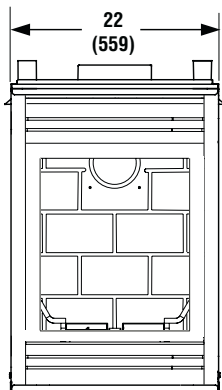
NOTES	
• Annual Fuel Utilization Efficiency	
Due to Lennox' ongoing commitment to quality, all specifications, ratings and dimensions are subject to change without notice.	
Appliance has a factory-installed vent seal cap in each flue outlet. (see <i>Installation Manual</i> )	

EFFICIENCIES	
<b>ENERGUIDE</b>	61 % Natural Gas
	62 % Propane Gas
• AFUE	65 % Natural Gas
	67 % Propane Gas

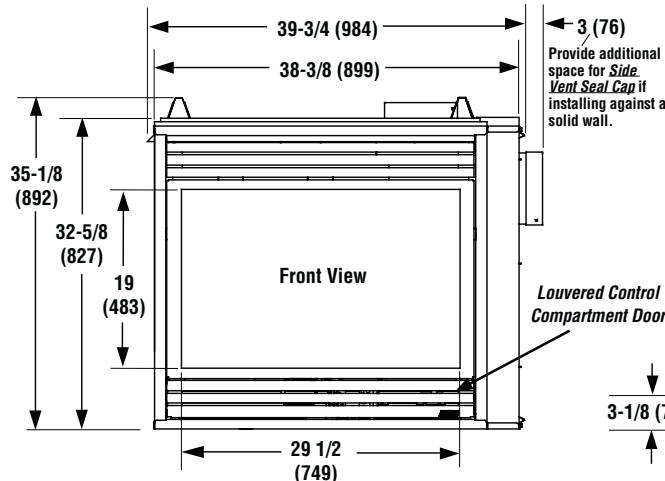
PRODUCT REFERENCE INFORMATION			
Cat. No.	Model	Ship Weight	Ship. Volumn
H6945	MPD35PF-NM	220 lbs	46W x 26D x 43H (30 cu.ft.)
H6946	MPD35PF-PM	220 lbs	46W x 26D x 43H (30 cu.ft.)
H6947	MPD35PF-NE	220 lbs	46W x 26D x 43H (30 cu.ft.)



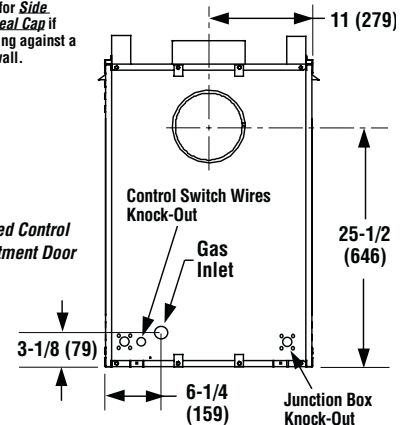
Framing Dimensions for Roof Inches (millimeters)		
Pitch	C	D
0/12	10-1/2 in. (267 mm)	10-1/2 in. (267 mm)
6/12	10-1/2 in. (267 mm)	12 in. (305 mm)
12/12	10-1/2 in. (267 mm)	17-3/4 in. (451 mm)



Left Side View



Front View

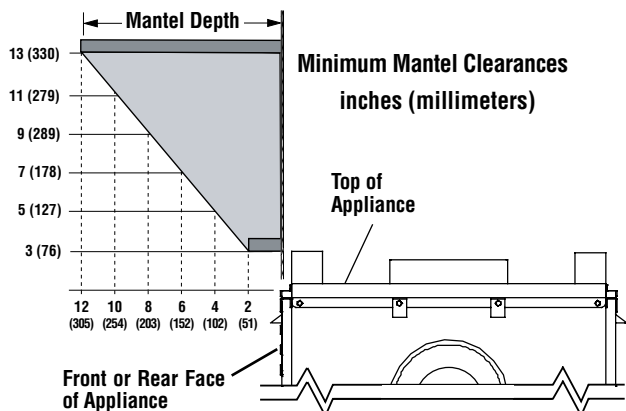


Right Side View

# MPD35PF

## Appliance Clearances DIRECT VENT PENINSULA MERIT® PLUS SERIES

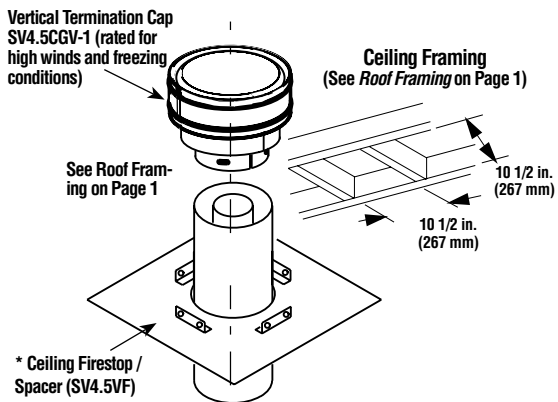
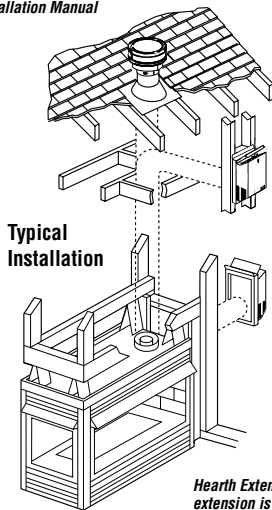
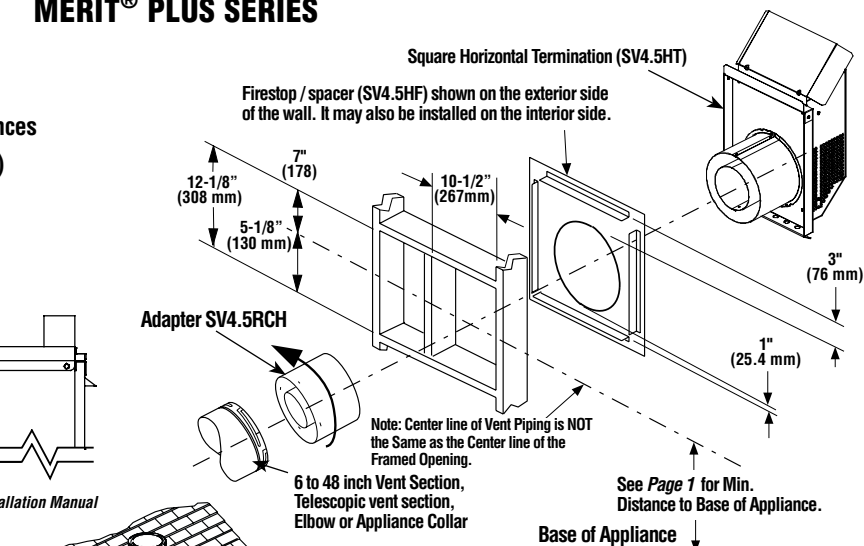
Millivolt Models    Electronic Models  
MPD35PF-NM        MPD35PF-NE  
MPD35PF-PM



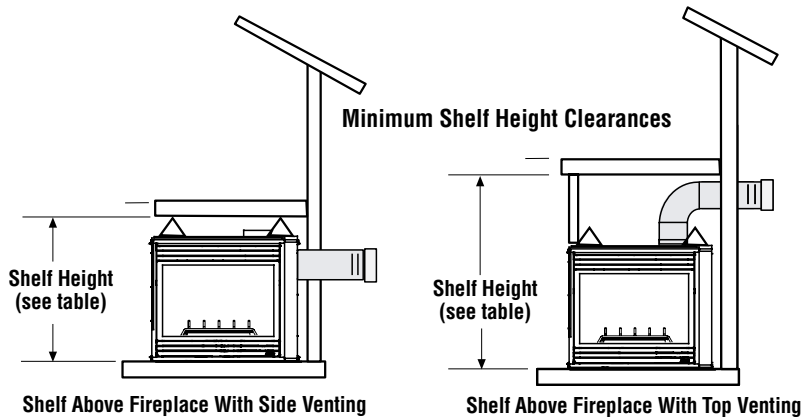
Specifications and clearances are subject to change without notice. Refer to Installation Manual before installation of these appliances for updated dimensions and instructions.

Minimum Appliance and Vent Clearances - Inches (millimeters)	
Sides	1/2 (13)
Top Spacers	0 (0)
Floor	0 (0)
Bottom of Appliance To Ceiling	72 (1829)
Vent	3 (76) Top * 1 (25.4) Sides & Bottom
SERVICE CLEARANCES Feet (meters)	
Front & Back Faces	3 ft. (0.9 m)

*\*Note: 3 in. (75 mm) above any horizontal / inclined vent component.*



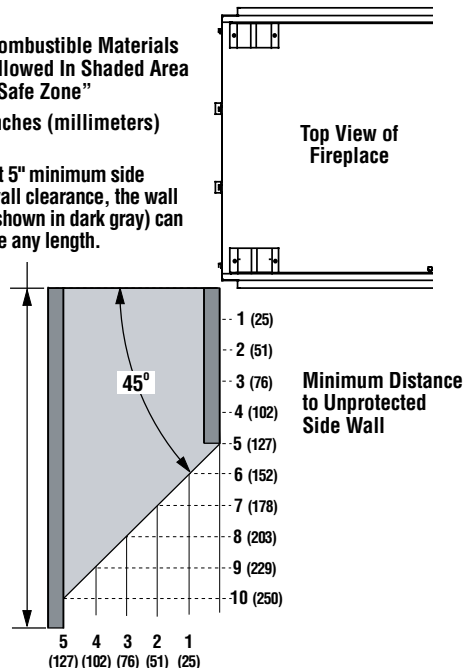
Hearth Extension - A hearth extension is not required with this appliance.



Combustible Materials Allowed In Shaded Area "Safe Zone"

Inches (millimeters)

At 5" minimum side wall clearance, the wall (shown in dark gray) can be any length.



Model No.	Shelf Height - Inches (millimeter)		
	Side Vent - Straight Out Back	Top Vent - with One 90 Degree Elbow	
	Secure Vent & Secure Flex	Secure Vent	Secure Flex
MPD35PF	35-1/4 (895)	49-3/8 (1254)	51-1/8 (1299)

Minimum Side Clearances