



MLBV-35 shown with Buff Rustic ceramic brick liner.

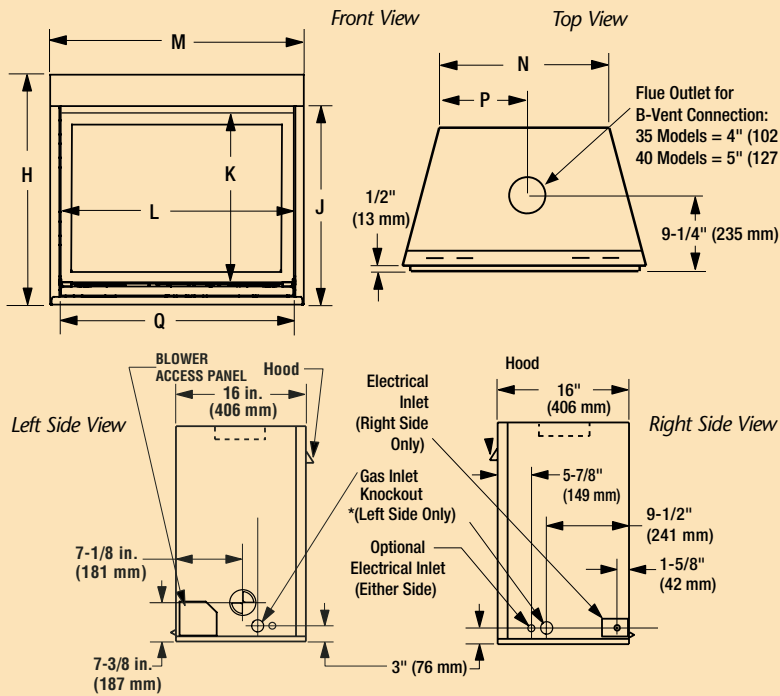
This decorative fireplace is a perfect choice for smaller spaces or rooms where the simple beauty of a fireplace is the primary goal.



40" model shown with standard black interior liner



GAS FIREPLACE SPECIFICATIONS



DIMENSIONS

	H	J	K	L	M	N	P	Q
MLBV-35	32-1/4" (819 mm)	28-1/8" (714 mm)	23-1/4" (590 mm)	32" (813 mm)	35-1/4" (895 mm)	25" (635 mm)	12-1/2" (317 mm)	33" (838 mm)
MLBV-40	37-1/4" (946 mm)	33-1/8" (841 mm)	28-1/4" (718 mm)	37" (940 mm)	40-1/4" (1022 mm)	30" (762 mm)	15" (381 mm)	38" (965 mm)

FRAMING DIMENSIONS

	WIDTH	HEIGHT	DEPTH
MLBV-35	35-1/4" (895 mm)	35-1/4" (895 mm)	16" (406 mm)
MLBV-40	40-1/4" (1022 mm)	40-1/4" (1022 mm)	16" (406 mm)

BTU/HR CHART

	NATURAL (HIGH-LOW)	PROPANE (HIGH-LOW)
MLBV-35	17,000-13,000	17,000-14,000
MLBV-40	22,000-17,000	20,000-15,500

PRODUCTS AND DEALERS YOU CAN COUNT ON

Lennox is committed to providing you with the finest hearth products available. Choosing the right dealer for your hearth needs is as important as choosing the right brand, and our dealers are a big reason why you can count on quality customer service when you call.



HEARTH PRODUCTS

© Innovative Hearth Products LLC 2013
www.lennoxhearthproducts.com

785309M-A 03/13



MLBV-35

MLBV-40

STANDARD FEATURES

Louverless design delivers a clean, traditional look that is quick and easy to install with a larger viewing area and less exposed metal on the fireplace face for a premium appearance.

Charred Split Oak logs with glowing embers presented on a wrought iron log grate.

Wrought-iron grate.

Top vent only models using 4" (MLBV-35) or 5" (MLBV-40) Type B Double-Wall vent pipe.

Choose from Millivolt or energy saving battery backed up intermittent pilot ignition. All models have hi/lo flame and heat control and will work during a power outage.

Available in 35" and 40" sizes.

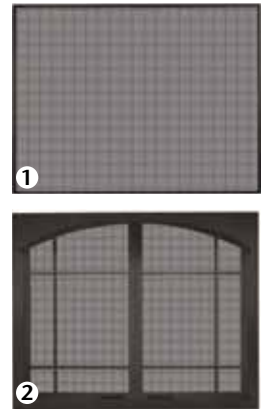
OPTIONAL ACCESSORIES

- 1 Screen panel kit.*
- 2 Style View door.

Wireless remote controls.

Outside combustion air kit.

*Provides a barrier to prevent direct contact with hot glass surface.



The MLBV is a decorative product and is not intended for use as a heating appliance.

IMPORTANT NOTES:

As with any heating appliance, fireplace or stove, this appliance is extremely hot during operation. Read and understand all operating instructions before using this appliance. For further information, consult your dealer.

Local conditions, such as elevation, wind, vent configuration and choice of fuel will affect overall appearance of the fire and heating performance. Performance can also vary with home design and insulation, climate, condition and type of fuel used, appliance location, burn rate, accessories chosen, chimney installation and how the appliance is operated.

Diagrams, illustrations and photographs are not to scale—consult installation instructions. Product designs, materials, dimensions, specifications, colors and prices are subject to change or discontinuance without notice.

Approved and listed to U.S. safety and performance standards – ANSI Z21.50.



100% recycled

Report Number :
100017854