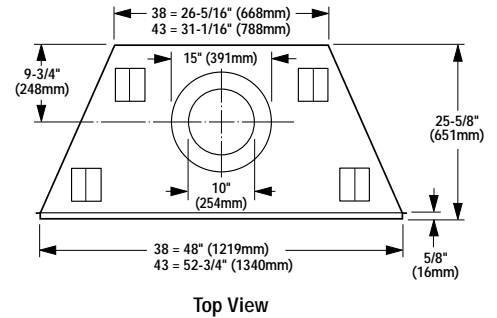
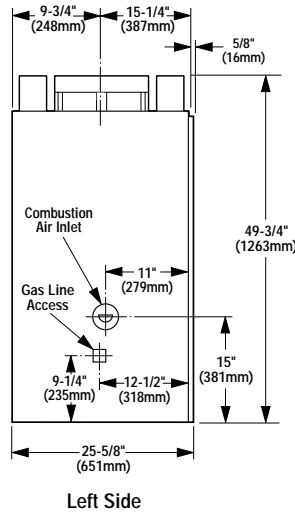
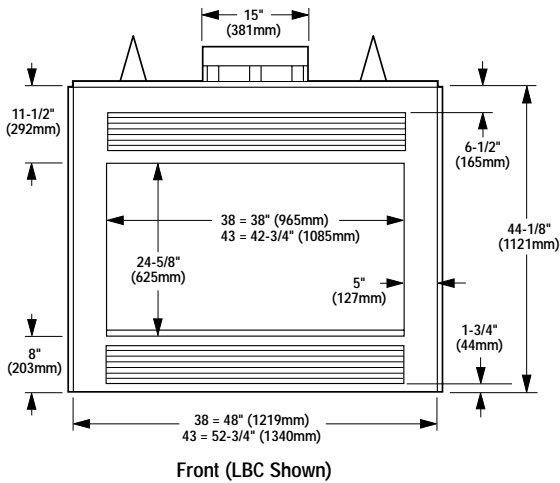


LBR-38/43 & LBC-38/43

Appliance Specifications



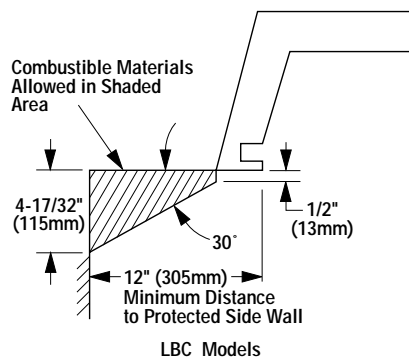
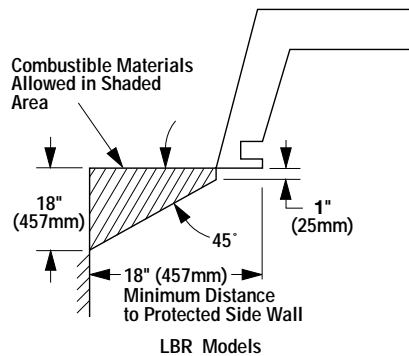
Model	Catalog Number	Weight
LBR-3824	11M70	225 lbs.
LBC-3824	11M72	225 lbs.
LBR-3824-H	11M74	225 lbs.
LBC-3824-H	11M76	225 lbs.
LBR-4324	11M71	250 lbs.
LBC-4324	11M73	250 lbs.
LBR-4324-H	11M75	250 lbs.
LBC-4324-H	11M77	250 lbs.

Note: Diagrams, illustrations and photographs are not to scale - Consult Installation Instructions. Product designs, materials, dimensions, specifications, colors and prices are subject to change or discontinuance without notice.

Fireplace Finishes

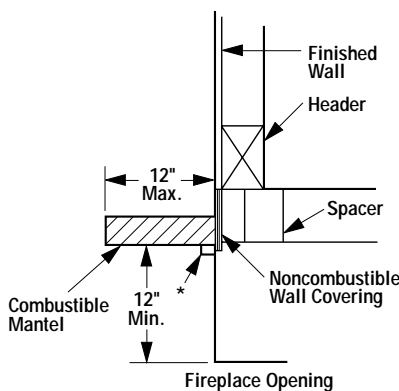
Vertical Surround Limitations

Combustible materials may project beyond the sides of the fireplace opening as long as they are kept within the shaded areas illustrated in the diagrams below.



Mantels And Trim

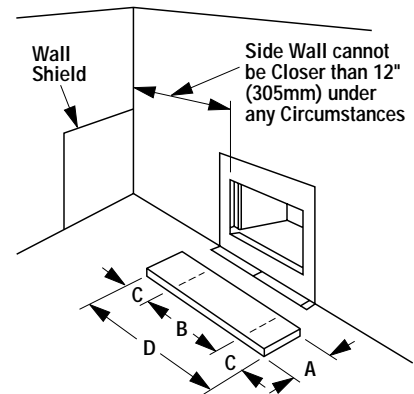
Combustible mantels and trim may be installed 12" (305 mm) above the fireplace opening as per NFPA 211; Section 7-2.3.3. and the Mantel limitation diagram. If a mantel is of a noncombustible material, it is exempt from these requirements as long as it does not interfere with the installation or operation of glass doors.



* A 1-1/2" Projection Is Permitted Between The Face Top And Mantle

Hearth Extensions & Wall Shields

A hearth extension must be installed with all fireplaces. Its purpose is twofold. It protects a combustible floor in front of the fireplace from both radiant heat and sparks and it distinguishes the prescribed hearth extension area from other unprotected surfaces.



Hearth Extension Dimensions

Opening Width	LBR/LBC 38"	LBR/LBC 43"
A	20" (508 mm)	20" (508 mm)
B	38" (965 mm)	43" (1092 mm)
C	12" (305 mm)	12" (305 mm)
D	62" (1575 mm)	67" (1702 mm)

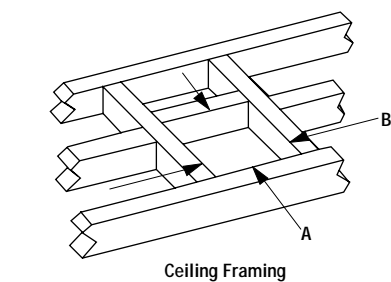
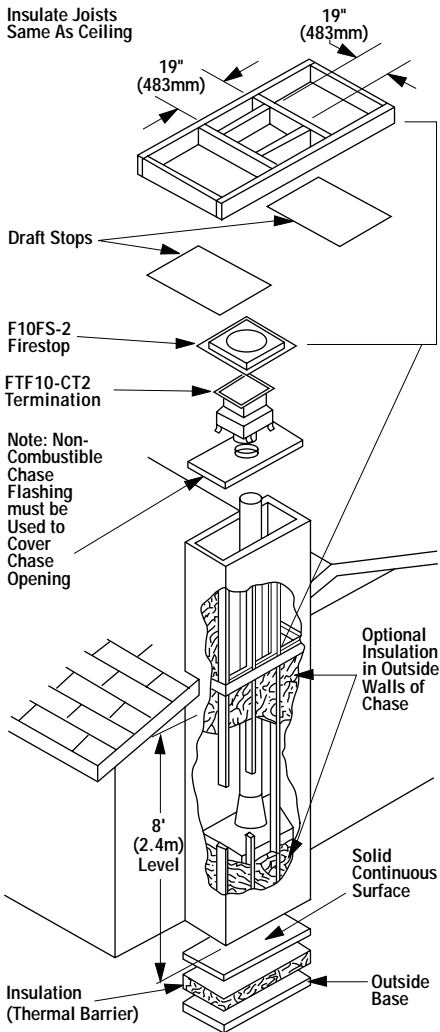
NOTE: DIAGRAMS & ILLUSTRATIONS NOT TO SCALE.

LBR-38/43 & LBC-38/43

Framing Specifications

Typical Installation

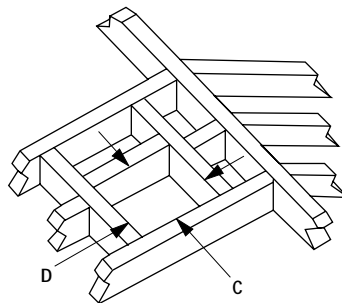
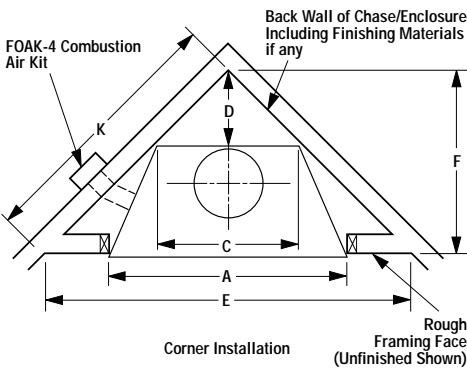
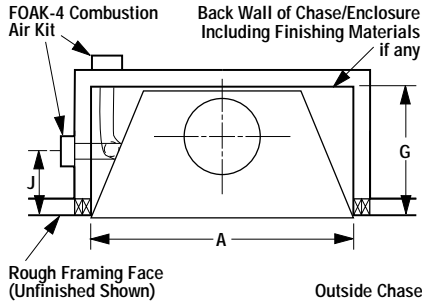
Insulate Joists Same As Ceiling



Framing Dimensions for Ceiling

Flue Type	A	B
FTF10 Vertical	19" (483 mm)	19" (483 mm)
FTF10 30° Offset	19" (483 mm)	29" (737 mm)

Note: All framing dimensions calculated for 1/2" dry wall at the appliance face. If sheathing the chase or finishing with other thickness materials, calculations will need to be made.

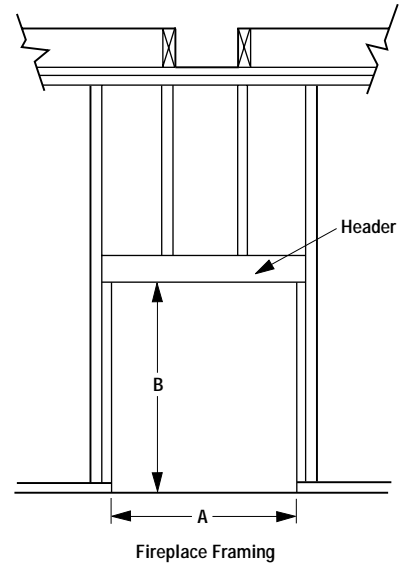


Roof Framing

Framing Dimensions for Roof

Pitch	C	D*
0/12	19" (483 mm)	19" (483 mm)
6/12	19" (483 mm)	22" (559 mm)
12/12	19" (483 mm)	27" (686 mm)

*Perpendicular to roof ridge



Framing Dimensions

	Fireplace Opening Width	
	38	43
A	48-1/8" (1222 mm)	52-7/8" (1343 mm)
B	50" (1270 mm)	50" (1270 mm)
C	26-1/4" (667 mm)	31" (787 mm)
D	13-1/8" (334 mm)	15-1/2" (394 mm)
E	77-1/4" (1962 mm)	82" (2083 mm)
F	38-5/8" (981 mm)	41" (1041 mm)
G	25-1/2" (648 mm)	25-1/2" (648 mm)
J	11" (279 mm)	11" (279 mm)
K	54-5/8" (1388 mm)	58" (1473 mm)

Note: All framing dimensions calculated for 1/2" dry wall at the fireplace face. If sheathing the chase or finishing with other thickness materials, calculations will need to be made.

NOTE: DIAGRAMS & ILLUSTRATIONS NOT TO SCALE.

