

HE43-2

Model has met the EPA Wood-burning
Fireplace Program Phase 2 emission level

Fireplace	
Cat. No. / Model	Description
HE43N-2	Fireplace (w/Black Doors)
HE43BN-2	Fireplace (w/Brushed Nickel Doors)

PRODUCT REFERENCE INFORMATION	
Weight	343 lbs
Height	42"
Width	43"
Depth	26-5/8"
Chimney Weight ASHT+, Ø 8"	8.75 lb/ft.
Chimney Weight S-2100+, Ø 8"	13.2 lb/ft.
Chimney Weight AC, Ø 8"	3.75 lb/ft.

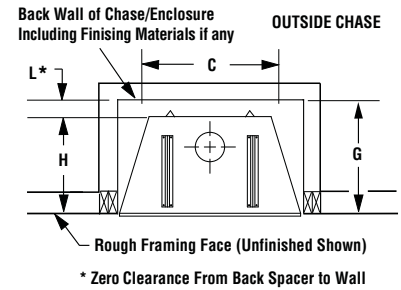
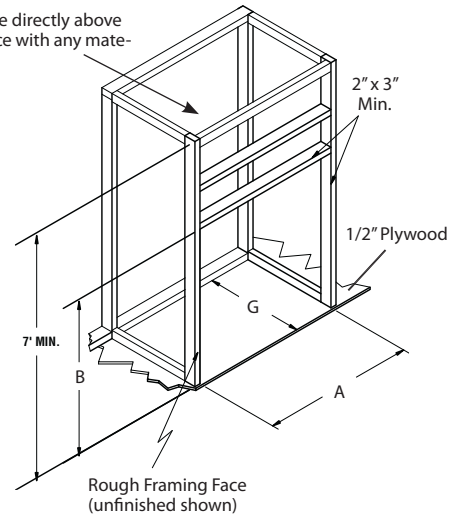
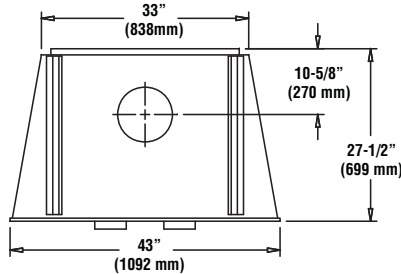
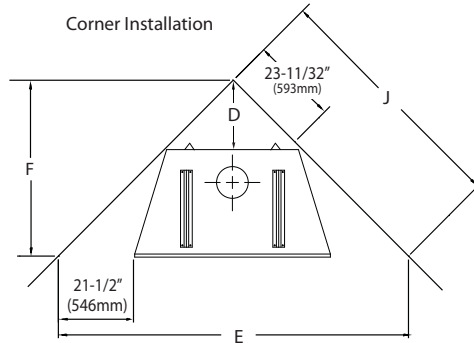
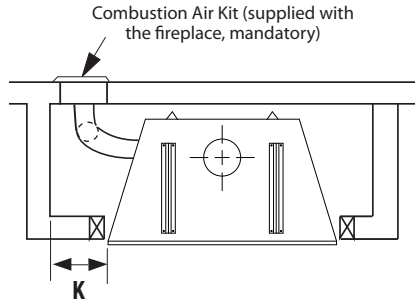
FRAMING DIMENSIONS		
A	43-1/4"	1099 mm
B	43-1/4"	1099 mm
C	33"	838 mm
D	16-1/2"	419 mm
E	85"	2159 mm
F	42-1/2"	1080 mm
G	27"	686 mm
H	26"	660 mm
J	60-1/8"	1527 mm
K	8"	203 mm
L	1"	25 mm

Patent-pending Fresh Fire™ burn system helps significantly reduce emissions to an EPA-qualified 3.87 gr/kg (70% less than a traditional wood fireplace)



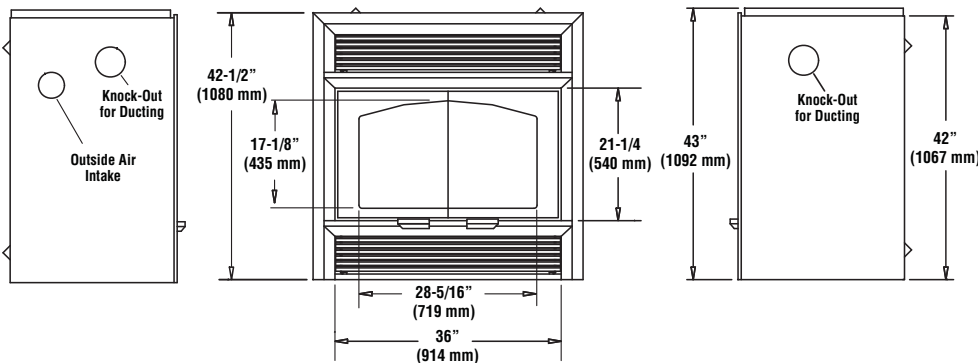
Combustible materials can NOT be used in the space directly above the fireplace. Do not fill the space above the fireplace with any material (except the wood framing)

Framing Dimensions



Notes
Diagrams, illustrations and photographs are not to scale - consult installation instructions. Product designs, materials, dimensions, specifications, colors and prices are subject to change or discontinuance without notice.
All framing dimensions calculated for 1/2" dry wall at the fireplace face. If sheathing the chase or finishing with other thickness materials, calculations will need to be made.
The fireplace must not be in contact with any insulation or loose filling material. Cover the insulation with drywall panels around the fireplace.

Fireplace Dimensions

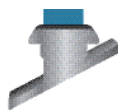


Listing Information



Intertek

Listed to standards:
ULC-S610 & UL-127
ASTM 2558
Report # 192-5237

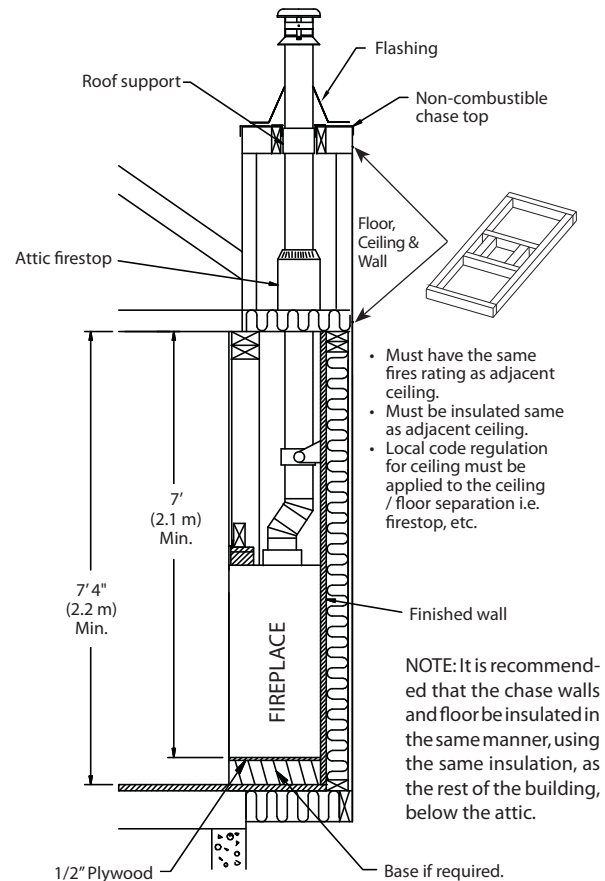
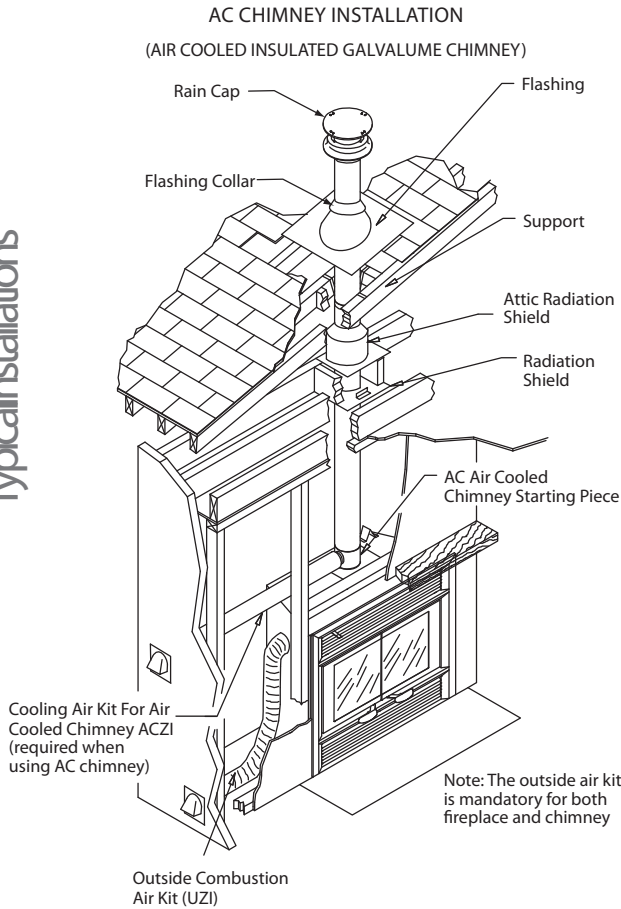


**SECURITY CHIMNEYS
INTERNATIONAL®**

HE43-2

Model has met the EPA Wood-burning
Fireplace Program Phase 2 emission level

Typical Installations



Combustible Clearances

CLEARANCE TO COMBUSTIBLES

The following clearances meet the minimum requirements for a safe installation;

Side wall: 18" (457 mm)

Ceiling: 7 feet (2135 mm) measured from the base of the fireplace

Fireplace enclosure:

Bottom: 0"

Side: 0" to spacer

Back: 0" to spacer

Top: Do not fill the space above the fireplace with any material, 7 feet measured from the base of the fireplace (Except the wood framing. See Page 9, Figure 8).

Chimney: 2" (50 mm)

Mantel: 48" (1219 mm) measured from the base of the fireplace.

Hearth Extension and Mantel

