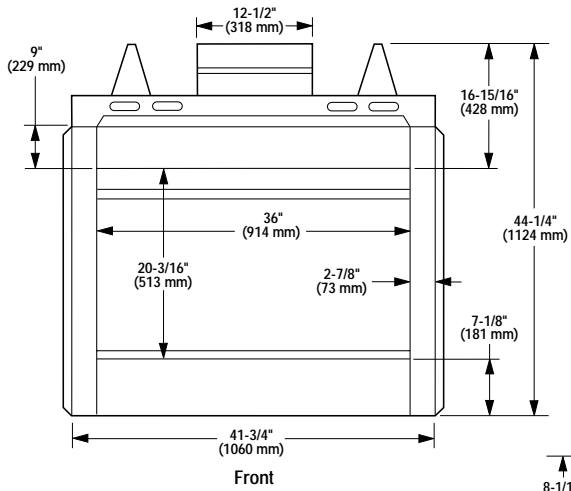
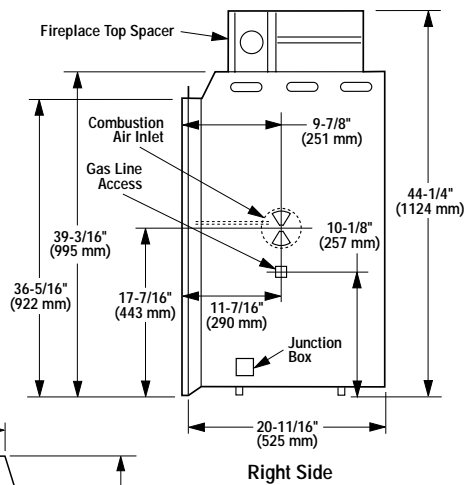


MERIT™ SERIES RDI-36 & HCI-36

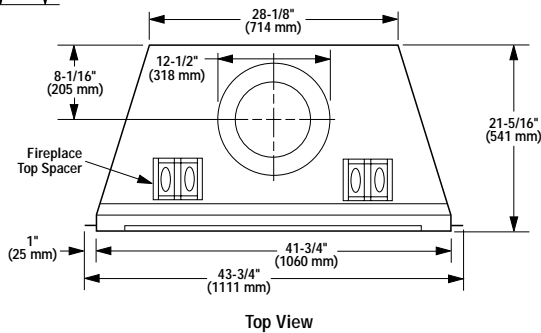
Appliance Specifications



Front



Right Side



Top View

Shipping Weight

RDI/HCI-36

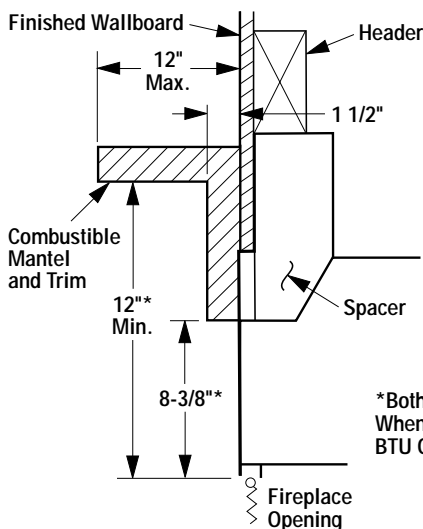
175 lbs.

Note: All specifications, ratings and dimensions are subject to change without notice.

Fireplace Finishes

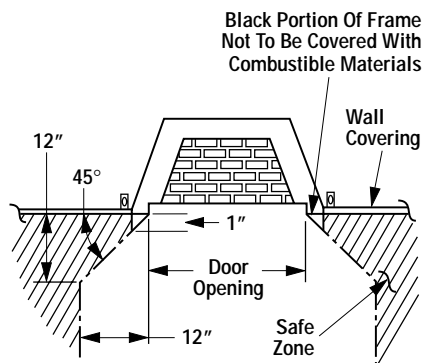
Mantels And Trim

Combustible mantels and trim may be installed 12" (305 mm) above the fireplace opening as per NFPA 211; Section 7-2.3.3. and the Mantel limitation diagram. If a mantel is of a noncombustible material, it is exempt from these requirements as long as it does not interfere with the installation or operation of glass doors.



Vertical Surround Limitations

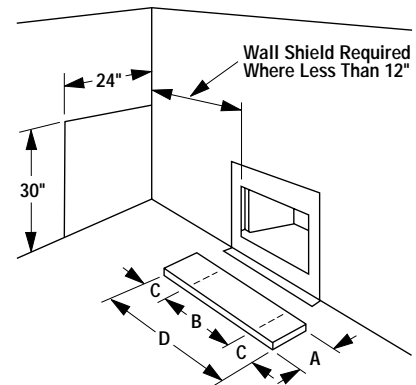
Combustible materials may project beyond the sides of the fireplace opening as long as they are kept within the shaded areas illustrated in the diagram below.



*Both Of These Dimensions Must Be At Least 18" When An Unvented Gas Log Set Rated At 32,000 BTU Or Higher Is Used. (Maximum 40,000 BTU)

Hearth Extensions

A hearth extension must be installed with all fireplaces. Its purpose is twofold. It protects a combustible floor in front of the fireplace from both radiant heat and sparks and it distinguishes the prescribed hearth extension area from other non-protected surfaces.



Hearth Extension Dimensions

A	16" (406mm)
B	33" (838 mm)
C	8" (203 mm)
D	49" (1245 mm)

LENNOX
HEARTH PRODUCTS

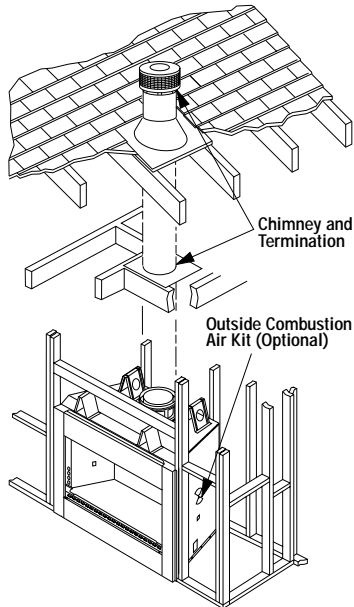
NOTE: DIAGRAMS & ILLUSTRATIONS NOT TO SCALE.

506035-25 Rev. A 12/08

MERIT™ SERIES RDI-36 & HCI-36

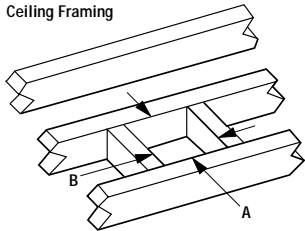
Framing Specifications

Typical Installation



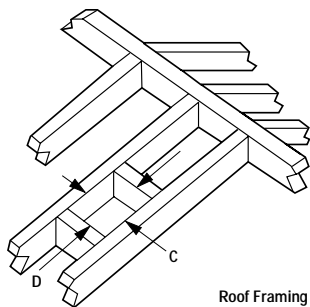
Radiant Model Shown

Ceiling Framing



Framing Dimensions for Ceiling

Flue Type	A	B
FTF8 Vertical	16 1/2"	16 1/2"
FTF8 Offset 30°	16 1/2"	25"

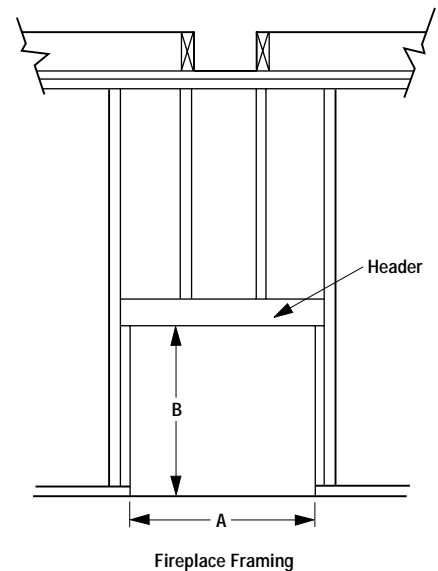
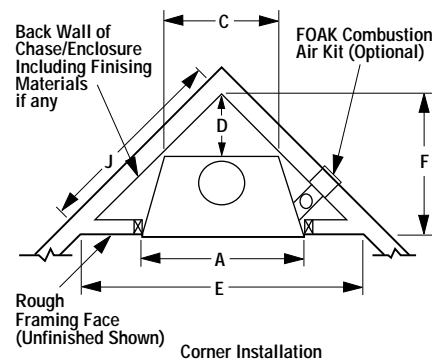
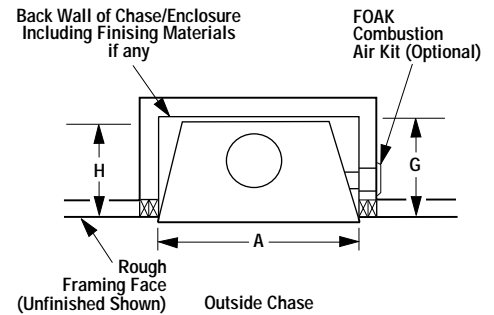
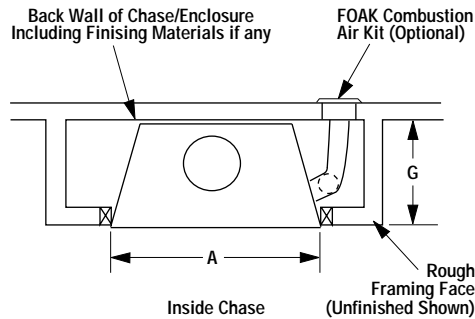


Framing Dimensions for Roof

Pitch	C	D*
0/12	16 1/2"	16 1/2"
6/12	16 1/2"	19"
12/12	16 1/2"	23 1/2"

* Perpendicular to roof ridge

Note: All framing dimensions calculated for 1/2" dry wall at the appliance face. If sheathing the chase or finishing with other thickness materials, calculations will need to be made.



Note: For millimeters multiply by 25.4

Framing Dimensions

	A	B	C	D	E	F	G	H	J
RDI/HCI-36	43"	44-1/2"	29-1/2"	15-3/4"	73"	36-1/2"	21-3/4"	20-3/4"	51-5/8"



NOTE: DIAGRAMS & ILLUSTRATIONS NOT TO SCALE.